



US00D759480S

(12) **United States Design Patent**  
**Shugar**

(10) **Patent No.:** **US D759,480 S**  
(45) **Date of Patent:** **\*\* Jun. 21, 2016**

- (54) **CANISTER LID WITH CLIP**
- (71) Applicant: **Ronnie Shugar**, Sherman Oaks, CA  
(US)
- (72) Inventor: **Ronnie Shugar**, Sherman Oaks, CA  
(US)
- (\*\*) Term: **14 Years**
- (21) Appl. No.: **29/499,440**
- (22) Filed: **Aug. 14, 2014**
- (51) **LOC (10) Cl.** ..... **09-07**
- (52) **U.S. Cl.**  
USPC ..... **D9/436**
- (58) **Field of Classification Search**  
USPC ..... D7/387, 511; D9/434-440, 443-447,  
D9/449-454, 499, 715, 718, 719, 739, 742,  
D9/753; 220/379, 709  
CPC ..... A45F 2003/166; A45F 5/02  
See application file for complete search history.

- D366,418 S \* 1/1996 Lown ..... D9/449
- D676,745 S \* 2/2013 MacNeill ..... D9/443
- D702,121 S \* 4/2014 Ghosh ..... D24/231
- 8,806,726 B1 \* 8/2014 Lo ..... A61J 17/00  
24/3.12
- D736,080 S \* 8/2015 Lavender ..... D9/434

**OTHER PUBLICATIONS**

Klean Kanteen. Steel Carabiner #4 by Nite Ize. Nov. 16, 2015 [online], [site visited Mar. 7, 2016]. Available from Internet, <URL:http://www.kleankanteen.com/products/steel-carabiner-4?variant=862304187>.\*

\* cited by examiner

*Primary Examiner* — Robert M Spear  
*Assistant Examiner* — Darcey E Heflin

(74) *Attorney, Agent, or Firm* — Robert J. Lauson; Lauson & Tarver LLP

(57) **CLAIM**

I claim the ornamental design for a canister lid with clip, as shown and described.

(56) **References Cited**

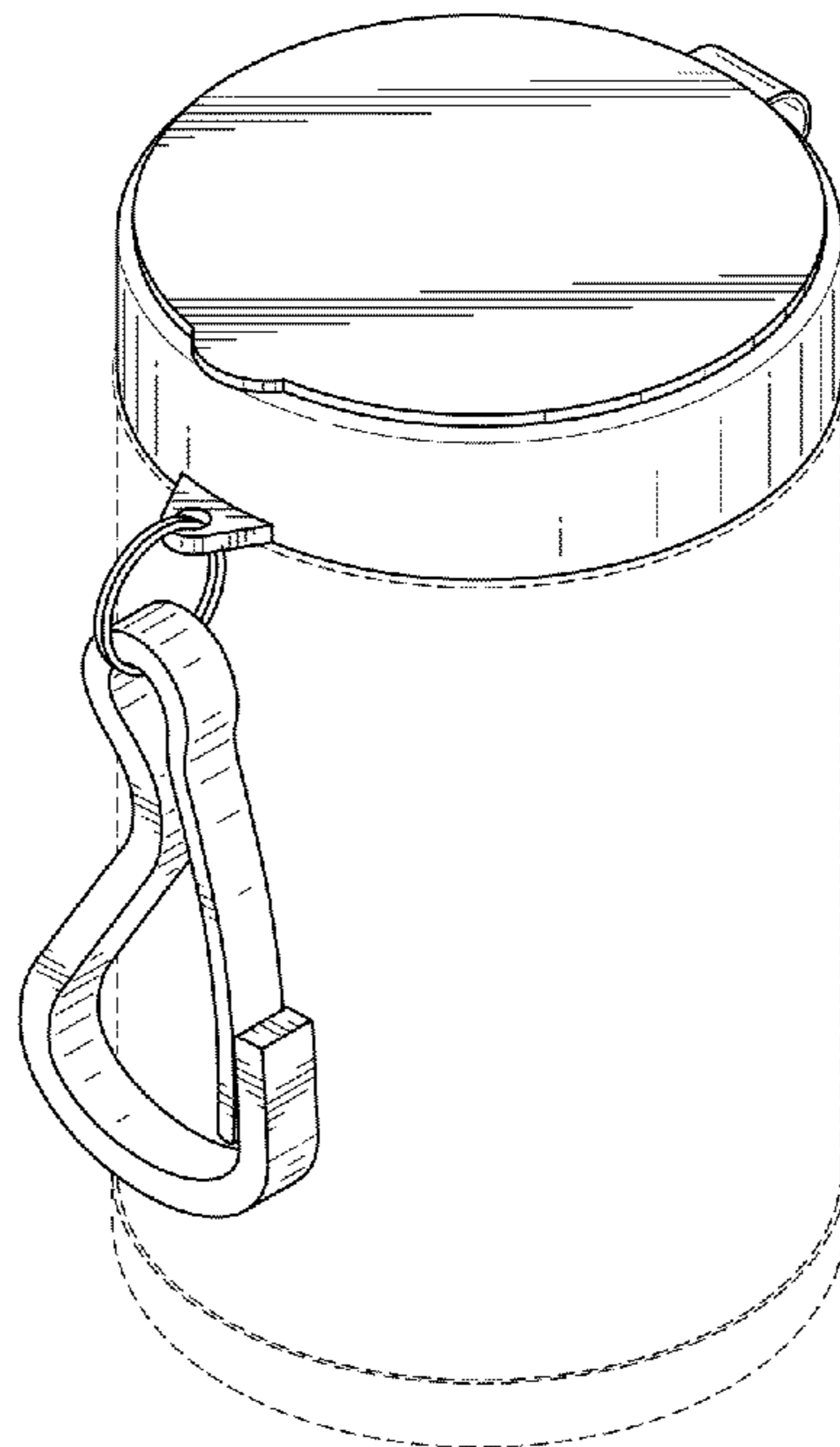
**U.S. PATENT DOCUMENTS**

- 1,679,588 A \* 8/1928 Spraul ..... A45F 5/02  
24/3.6
- 1,859,176 A \* 5/1932 Servilla ..... A45F 5/02  
70/456 R
- 4,226,105 A \* 10/1980 Wehrman ..... A45F 5/02  
224/269
- 4,306,434 A \* 12/1981 Drake ..... A45F 5/02  
224/269
- D274,792 S \* 7/1984 Price ..... D9/438
- D320,559 S \* 10/1991 Olson ..... D9/435
- 5,077,850 A \* 1/1992 Brubaker ..... A44B 15/005  
224/163

**DESCRIPTION**

FIG. 1 is a perspective view of a canister lid with clip.  
FIG. 2 is a front view thereof.  
FIG. 3 is a rear view thereof.  
FIG. 4 is a right side view thereof.  
FIG. 5 is a left side view thereof.  
FIG. 6 is a top view thereof; and,  
FIG. 7 is a bottom view thereof.  
In the drawings, the broken lines depict environmental subject matter only that forms no part of the claim.

**1 Claim, 2 Drawing Sheets**



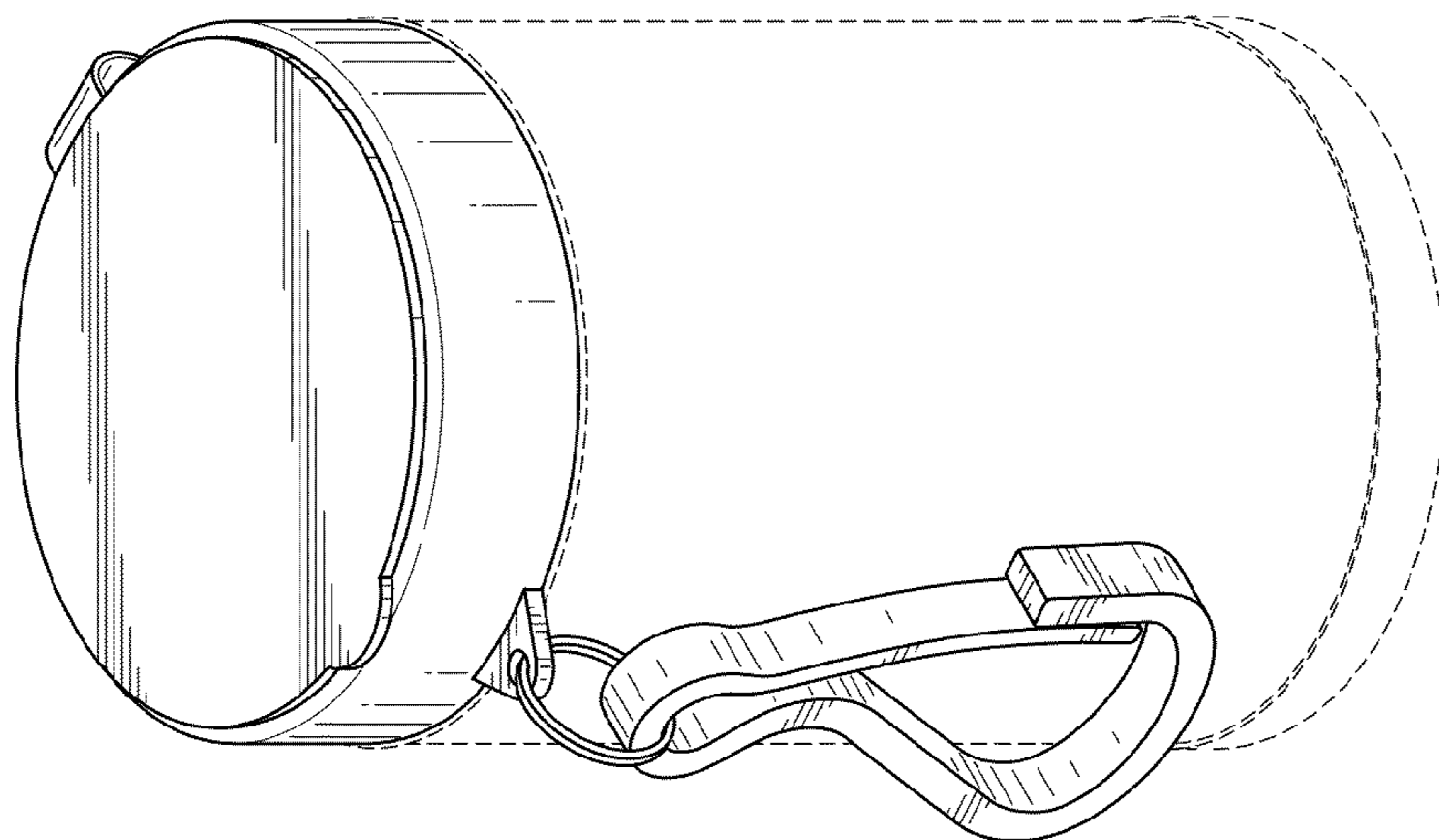


FIG. 1

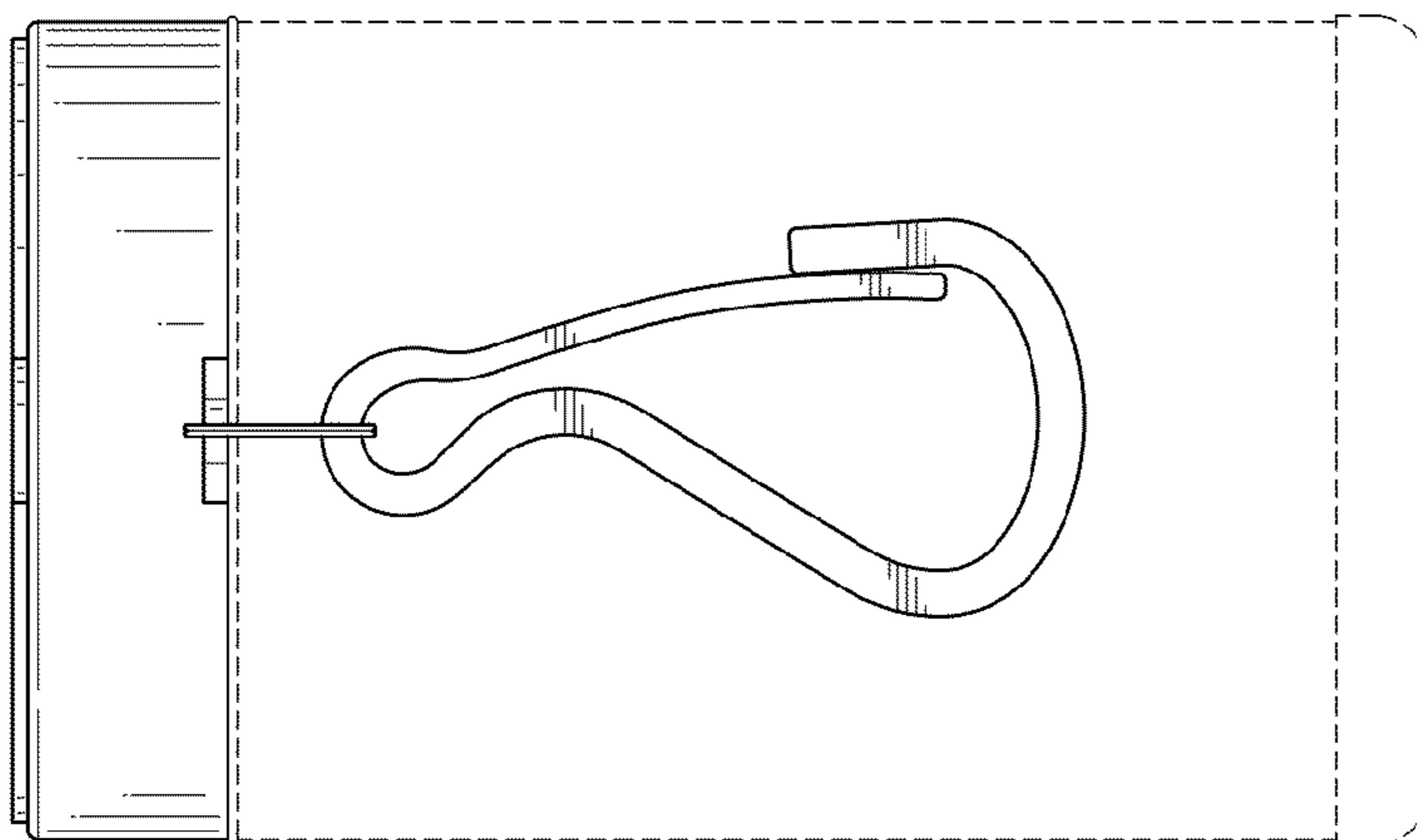
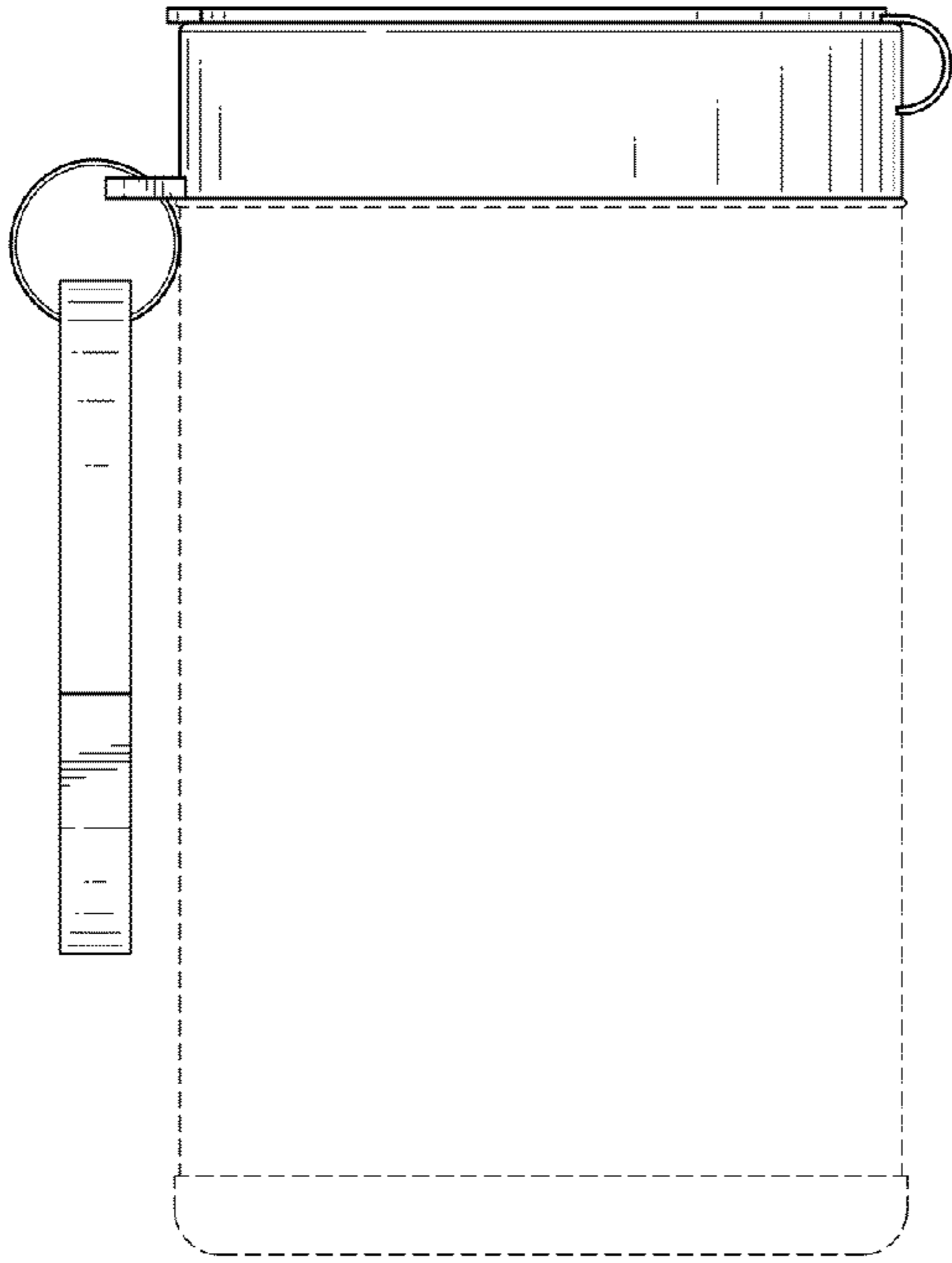


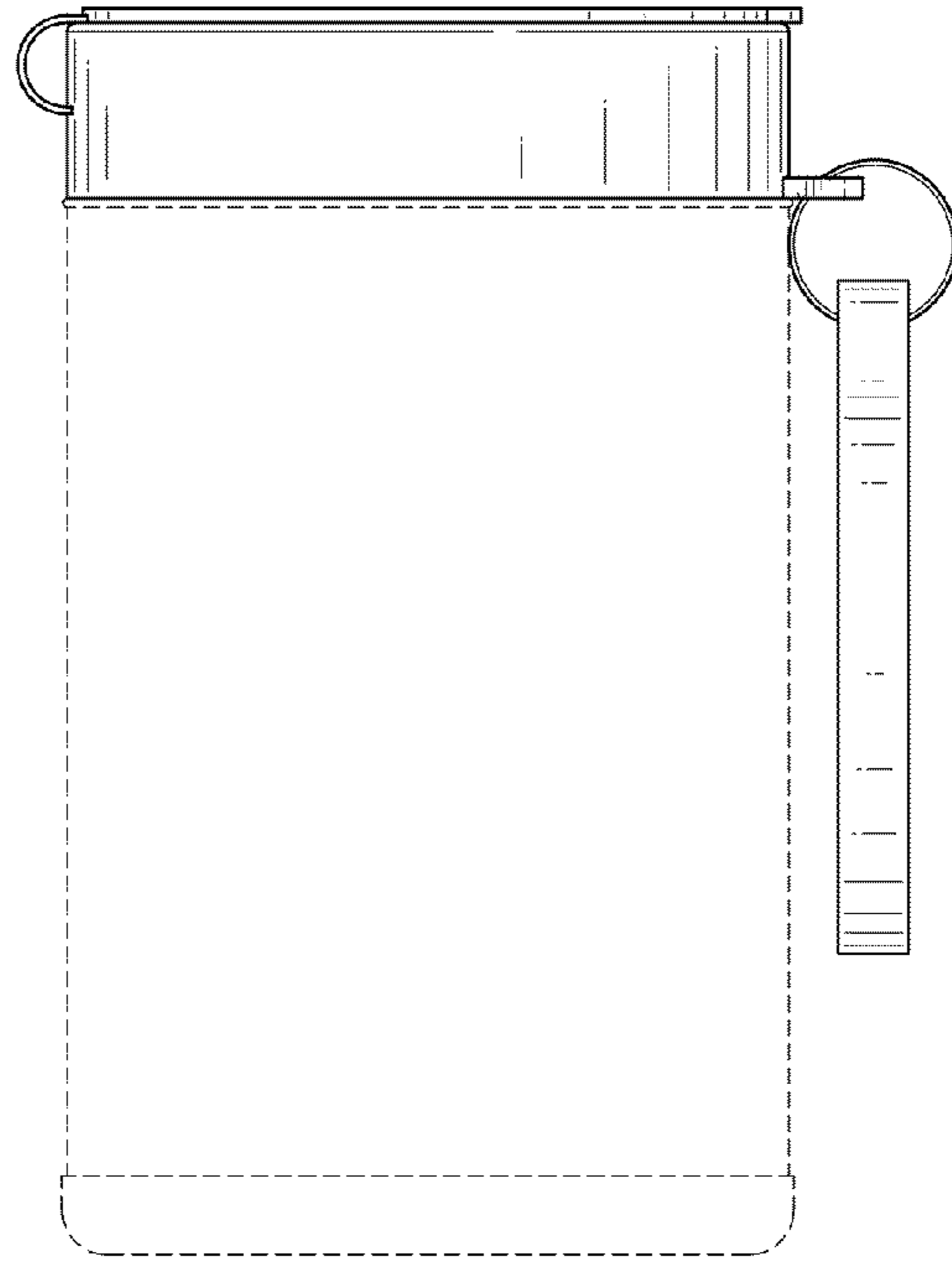
FIG. 2



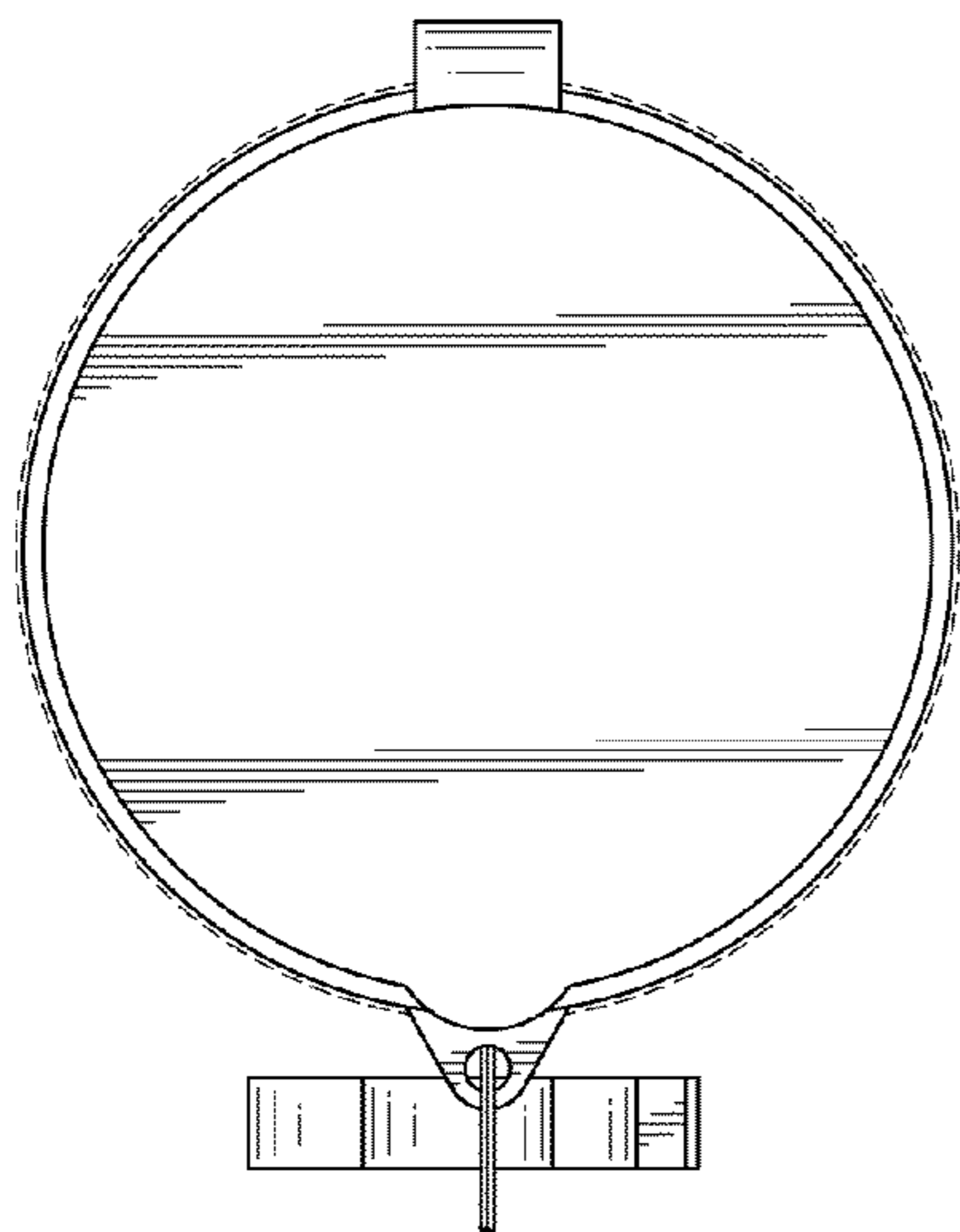
FIG. 3



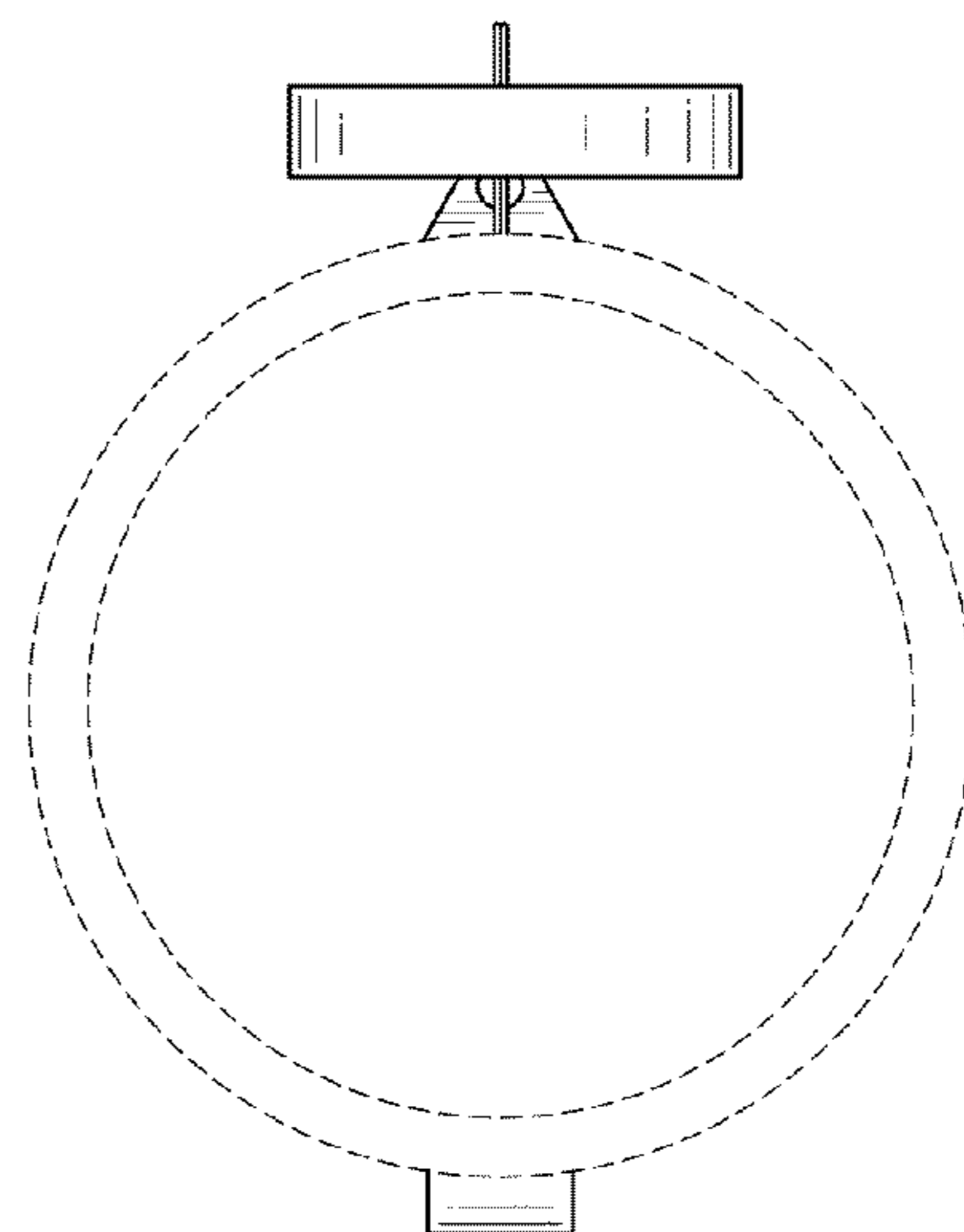
*FIG. 4*



*FIG. 5*



*FIG. 6*



*FIG. 7*