

US00D759477S

(12) **United States Design Patent**
Rennette

(10) **Patent No.:** **US D759,477 S**
(45) **Date of Patent:** **** Jun. 21, 2016**

- (54) **DISPLAY PACKAGE FOR HAIRBRUSH**
- (71) Applicant: **Jean Rennette**, Walnut Creek, CA (US)
- (72) Inventor: **Jean Rennette**, Walnut Creek, CA (US)
- (**) Term: **15 Years**
- (21) Appl. No.: **29/541,892**
- (22) Filed: **Oct. 8, 2015**
- (51) **LOC (10) Cl.** **09-03**
- (52) **U.S. Cl.**
USPC **D9/415**
- (58) **Field of Classification Search**
USPC D9/414-419, 516, 722, 436, 540, 426;
D14/204; D3/294, 293; D24/197, 194;
206/470, 219, 349; D4/199
CPC B65D 73/0007; B65D 73/0064; B65D
75/245; B65D 75/22; B26B 29/025
See application file for complete search history.

(56) **References Cited**

U.S. PATENT DOCUMENTS

3,130,834	A *	4/1964	Korzaan	B65D 73/0007 206/349
D273,277	S *	4/1984	Strauss	D9/415
4,634,005	A *	1/1987	Kulzer	B65D 73/0064 206/349
D291,064	S *	7/1987	Haber	D9/415
D305,616	S *	1/1990	Johnson	D9/426
4,899,877	A *	2/1990	Kiernan	B65D 75/245 206/349
D335,184	S *	4/1993	Mastropiero	D24/194
5,699,907	A *	12/1997	Langenstuck	B26B 29/025 206/349
D420,905	S *	2/2000	Adkins	D9/415
D431,460	S *	10/2000	Nichol	D9/415
D469,010	S *	1/2003	Valdez	D9/415
D502,867	S *	3/2005	Koizumi	D9/415
D503,282	S *	3/2005	Murphy	D4/199
D537,353	S *	2/2007	Bailey	D9/540
D541,145	S *	4/2007	Copp	D9/415
D544,347	S *	6/2007	Last	D9/436
D556,600	S *	12/2007	Galantai	D9/722

(Continued)

Primary Examiner — Holly Baynham

Assistant Examiner — Rhea Shields

(74) *Attorney, Agent, or Firm* — Volk & McElroy, LLP;
Michael D. Volk, Jr.

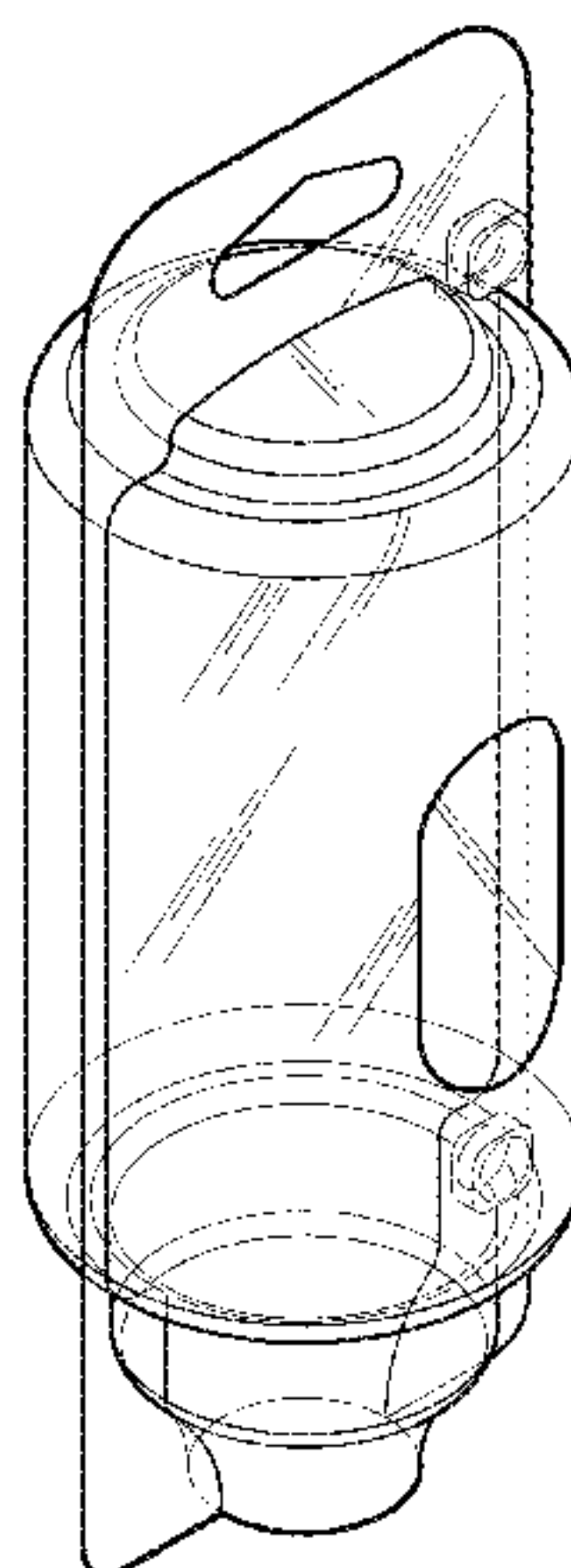
(57) **CLAIM**

The ornamental design for a display package for hairbrush, as shown.

DESCRIPTION

FIG. 1 is a first perspective view of a display package for hairbrush showing my new design in a closed configuration; FIG. 2 is a second perspective view of my design in the configuration of FIG. 1; FIG. 3 is a left side view of my design in the configuration of FIG. 1; FIG. 4 is a right side view of my design in the configuration of FIG. 1; FIG. 5 is a front view of my design in the configuration of FIG. 1; FIG. 6 is a back view of my design in the configuration of FIG. 1; FIG. 7 is a top view of my design in the configuration of FIG. 1; FIG. 8 is a bottom view of my design in the configuration of FIG. 1; FIG. 9 is a first perspective view of my new design in an open configuration; FIG. 10 is second perspective view of my new design in the configuration of FIG. 9; FIG. 11 is a front view of my new design in the configuration of FIG. 9; FIG. 12 is a back view of my new design in the configuration of FIG. 9; FIG. 13 is a right side view of my new design in the configuration of FIG. 9; FIG. 14 is a left side view of my new design in the configuration of FIG. 9; FIG. 15 is a bottom view of my new design in the configuration of FIG. 9; and, FIG. 16 is a top view of my new design in the configuration of FIG. 9.

1 Claim, 10 Drawing Sheets



(56)

References Cited

U.S. PATENT DOCUMENTS

D567,214 S * 4/2008 Fynboe D14/204
D595,537 S * 7/2009 Mansfield 206/219
D600,112 S * 9/2009 Cote D9/414
D622,138 S * 8/2010 Winkler D9/415
D622,506 S * 8/2010 Deguglimo D3/294
D648,534 S * 11/2011 Hsu D3/293

D653,546 S * 2/2012 Ring D9/516
D700,836 S * 3/2014 Lai D9/415
D714,135 S * 9/2014 Chang D9/415
D717,160 S * 11/2014 Kurniawan D9/415
8,899,434 B2 * 12/2014 Falkman B65D 75/22
206/470
D733,552 S * 7/2015 Whalen, Jr. D9/415
D742,734 S * 11/2015 Anderson D9/415
D750,968 S * 3/2016 Marseglia D24/197

* cited by examiner

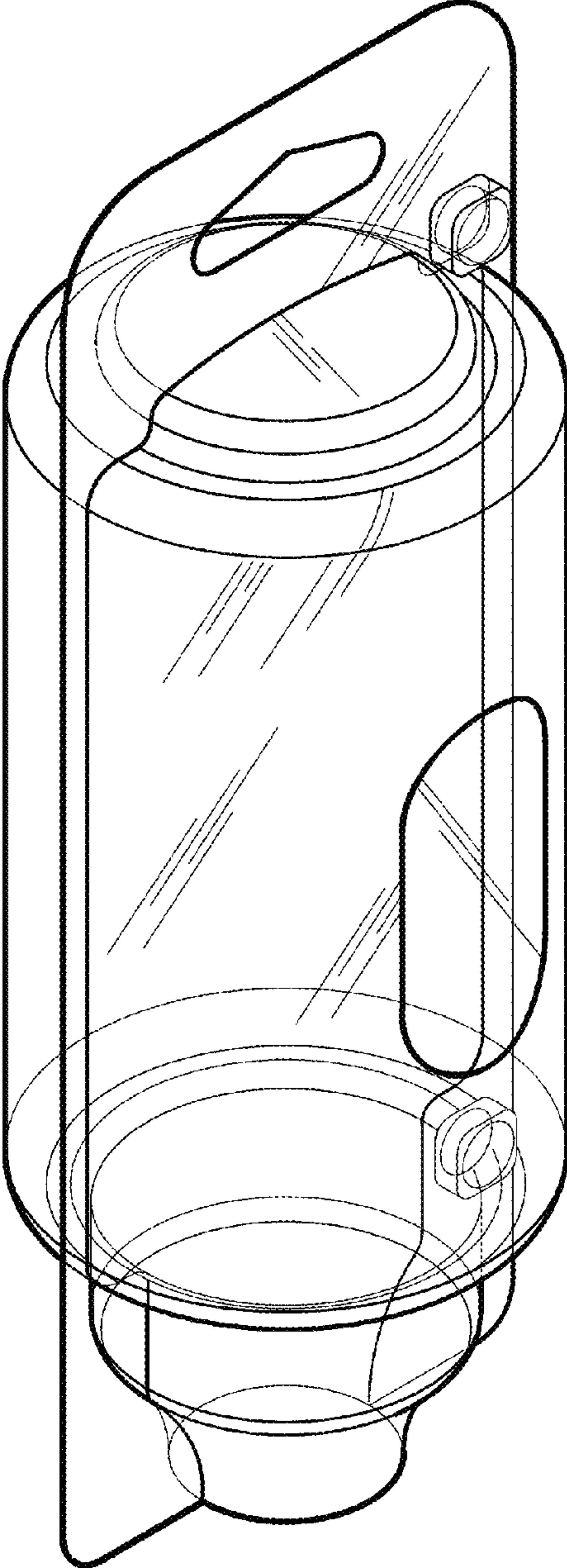


FIG. 1

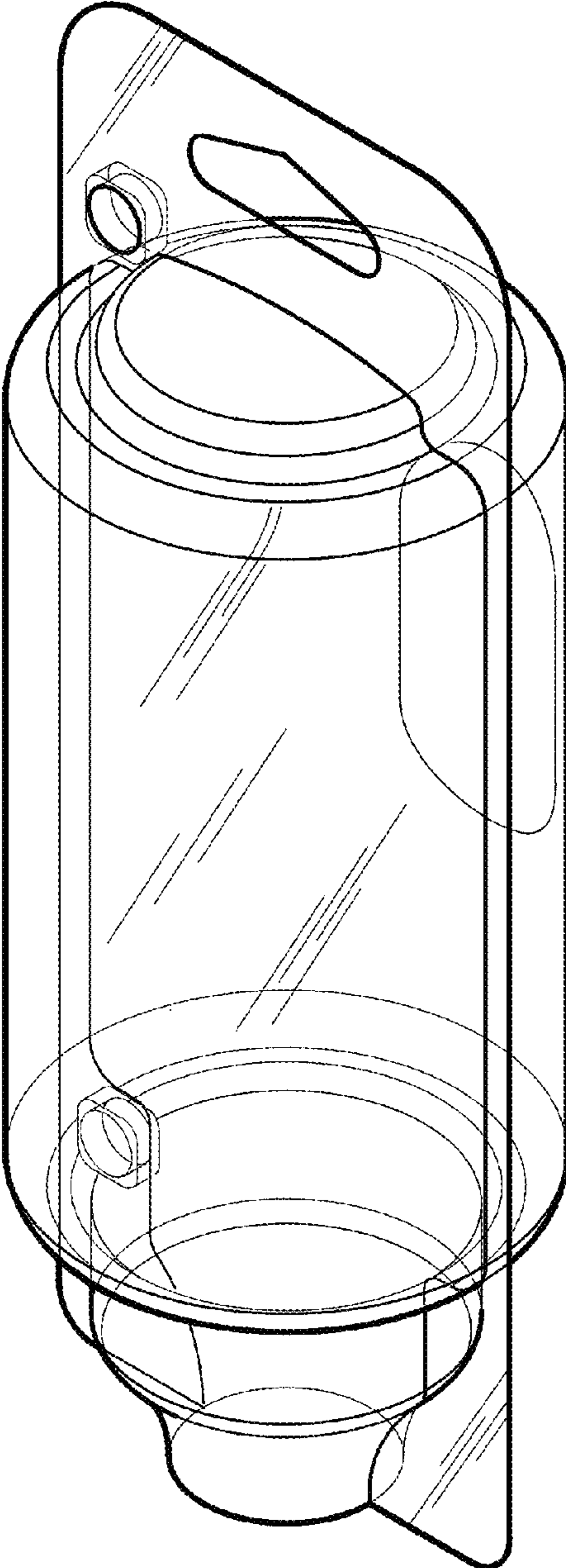


FIG. 2

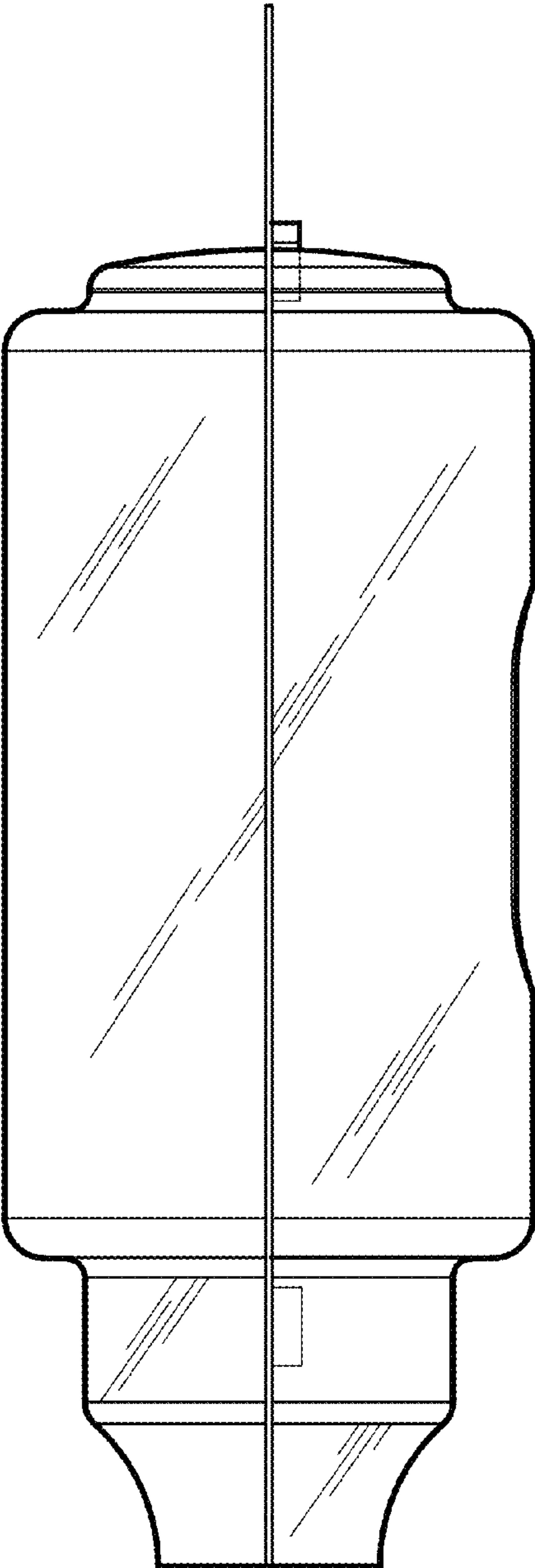


FIG. 3

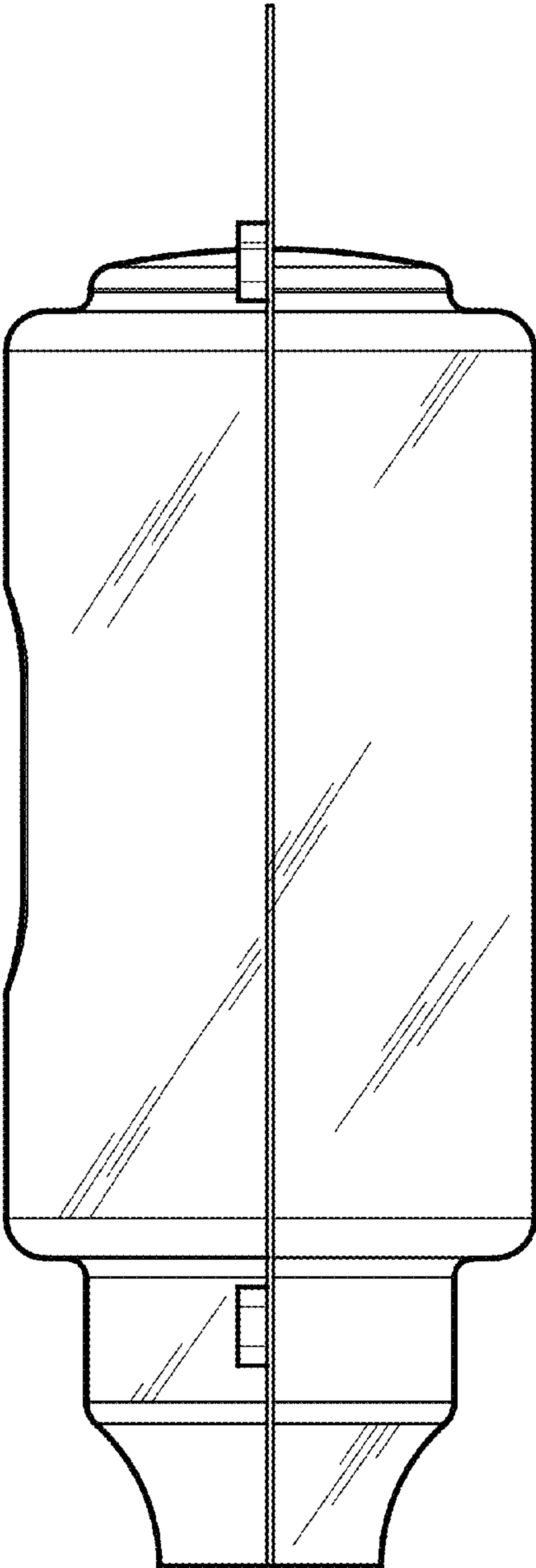


FIG. 4

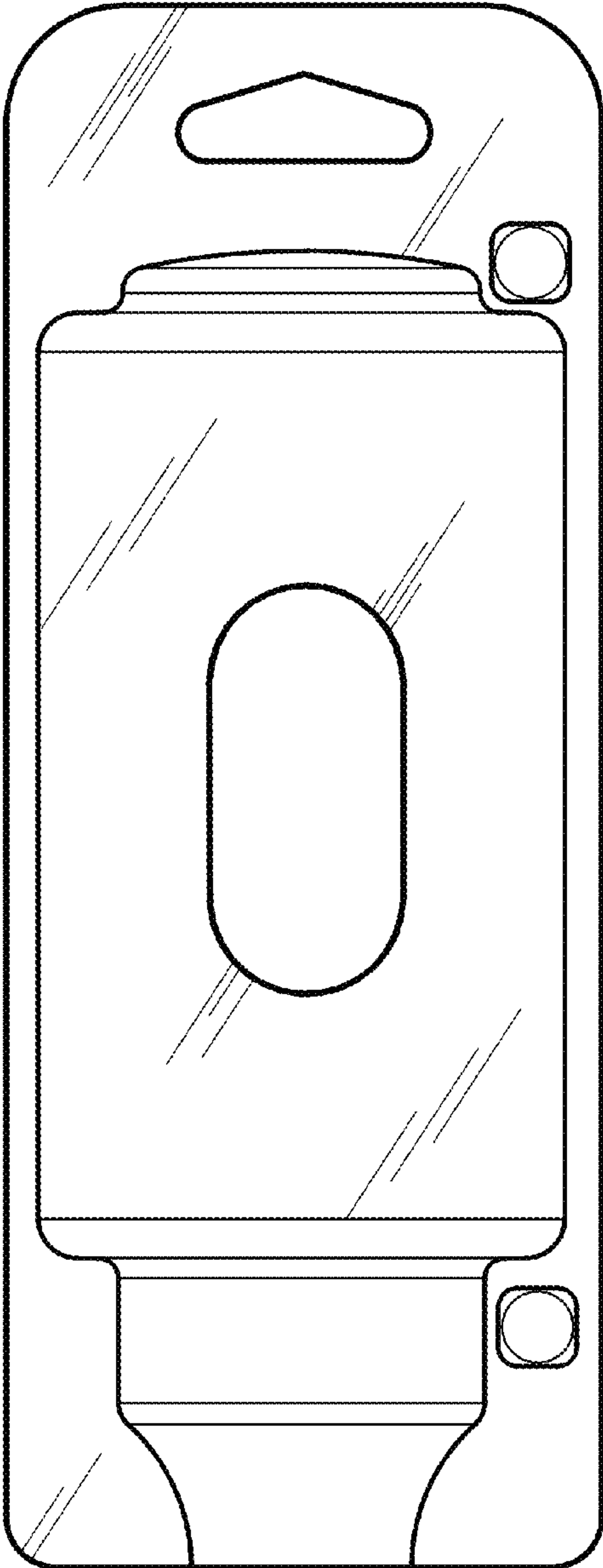


FIG. 5

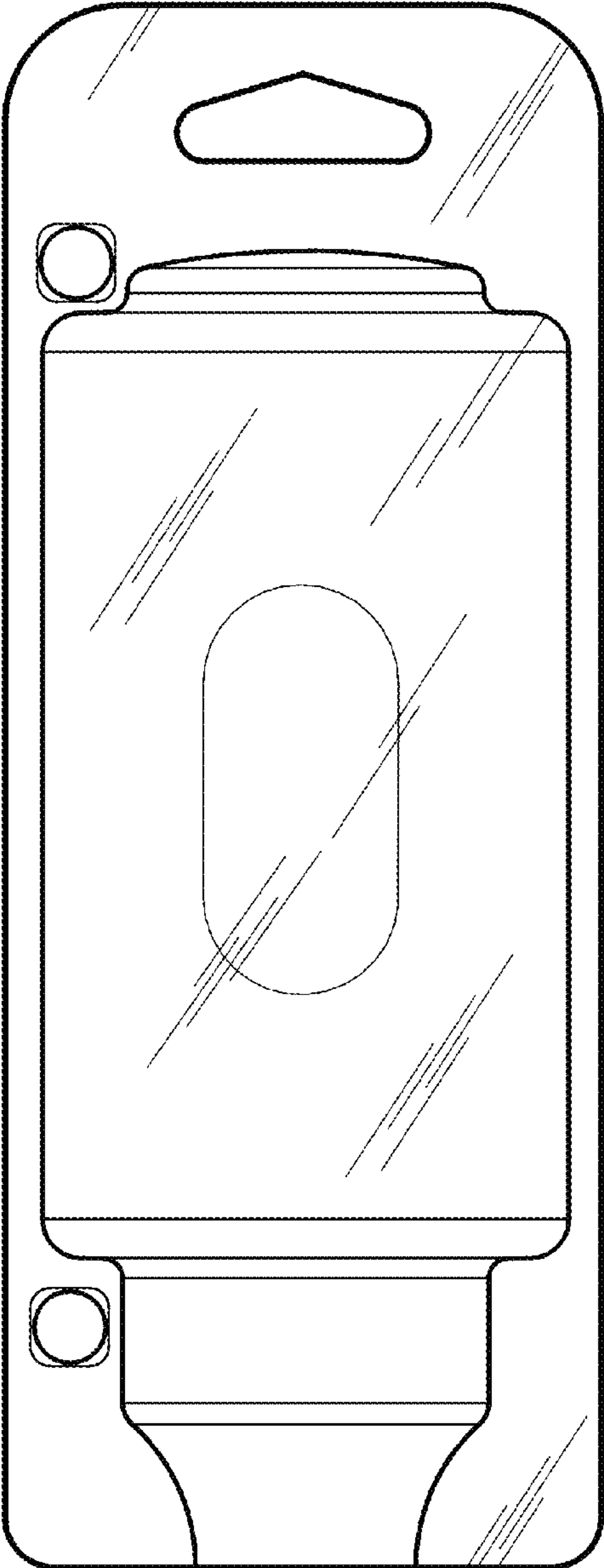


FIG. 6

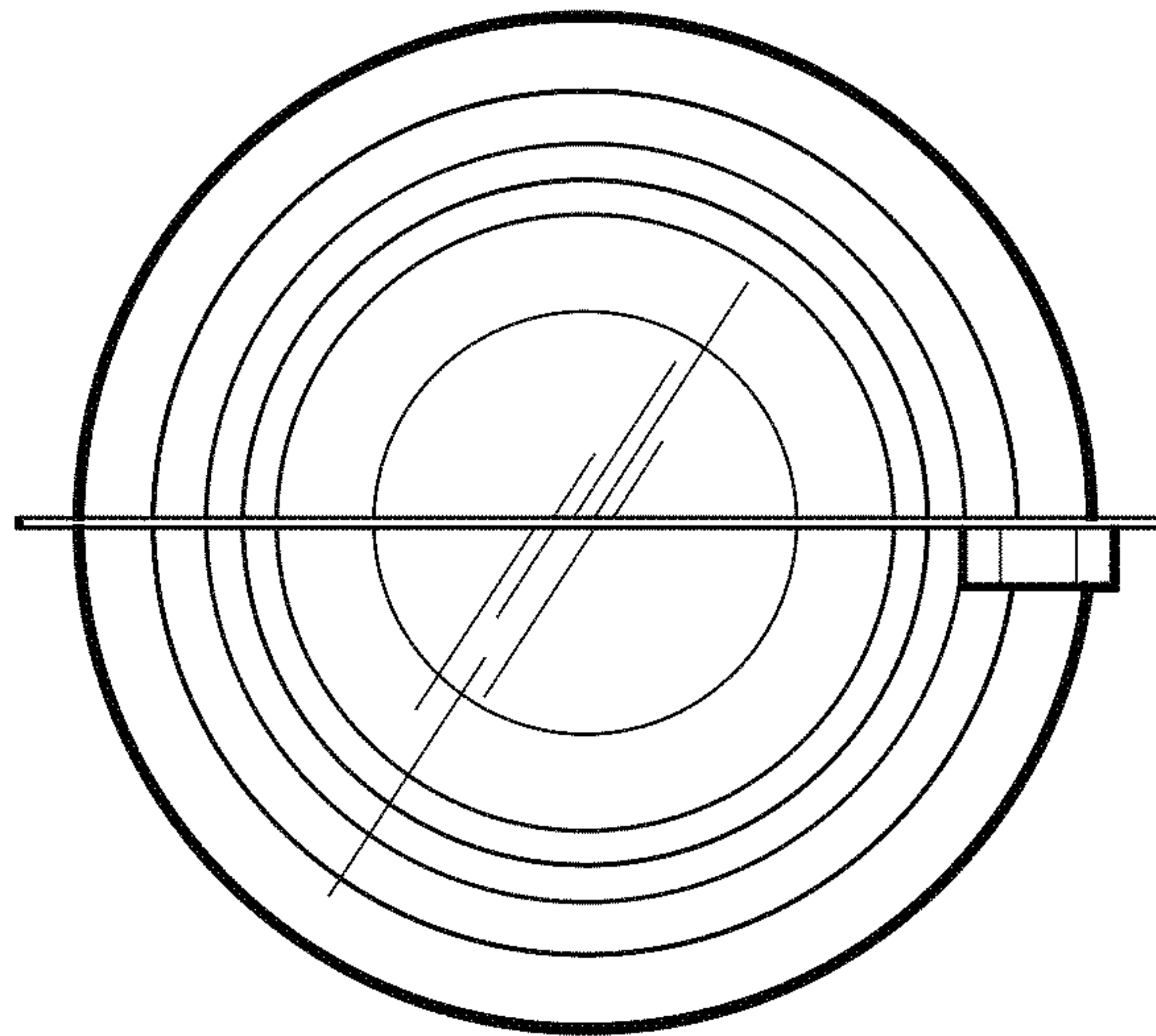


FIG. 7

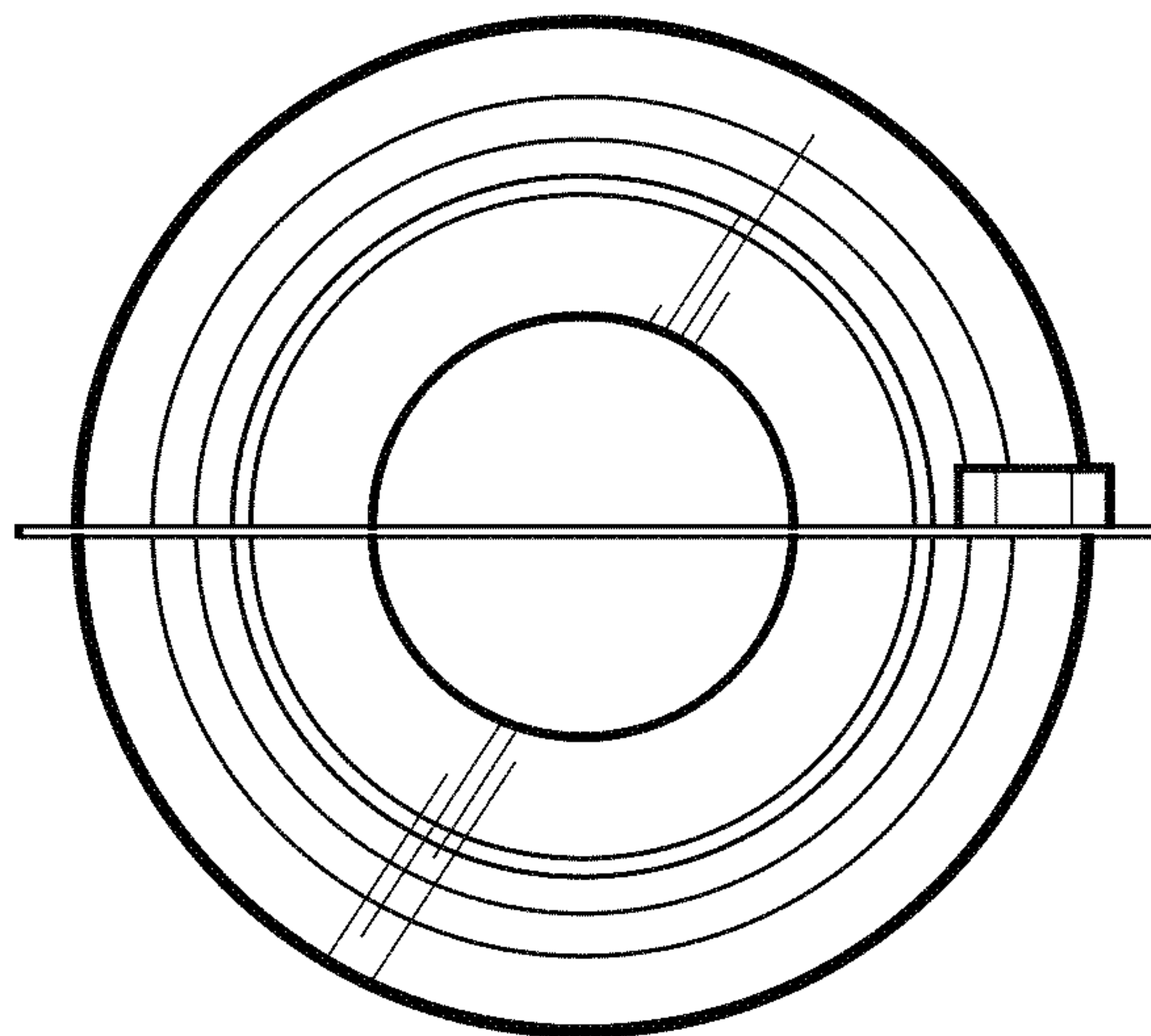


FIG. 8

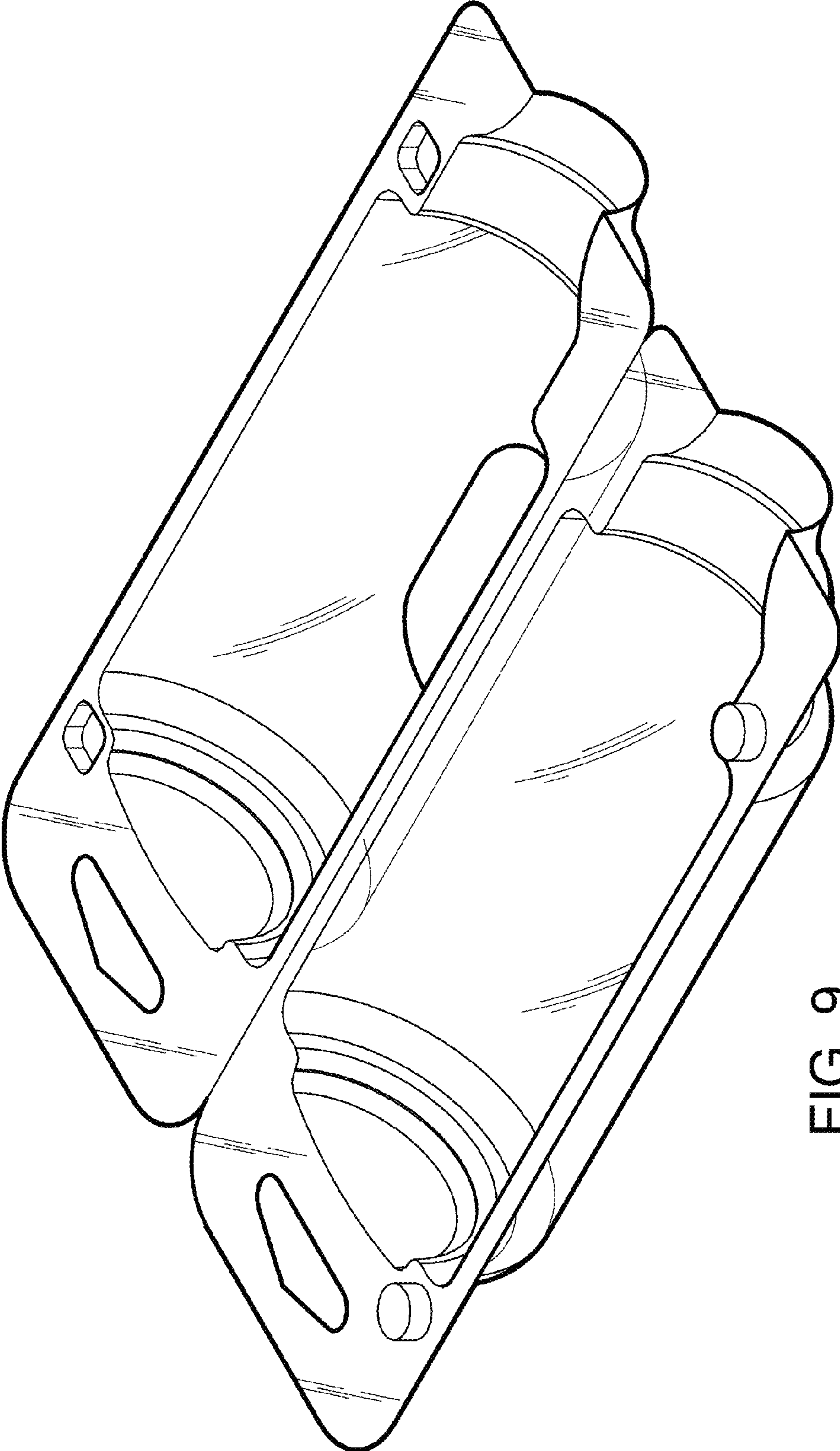


FIG. 9

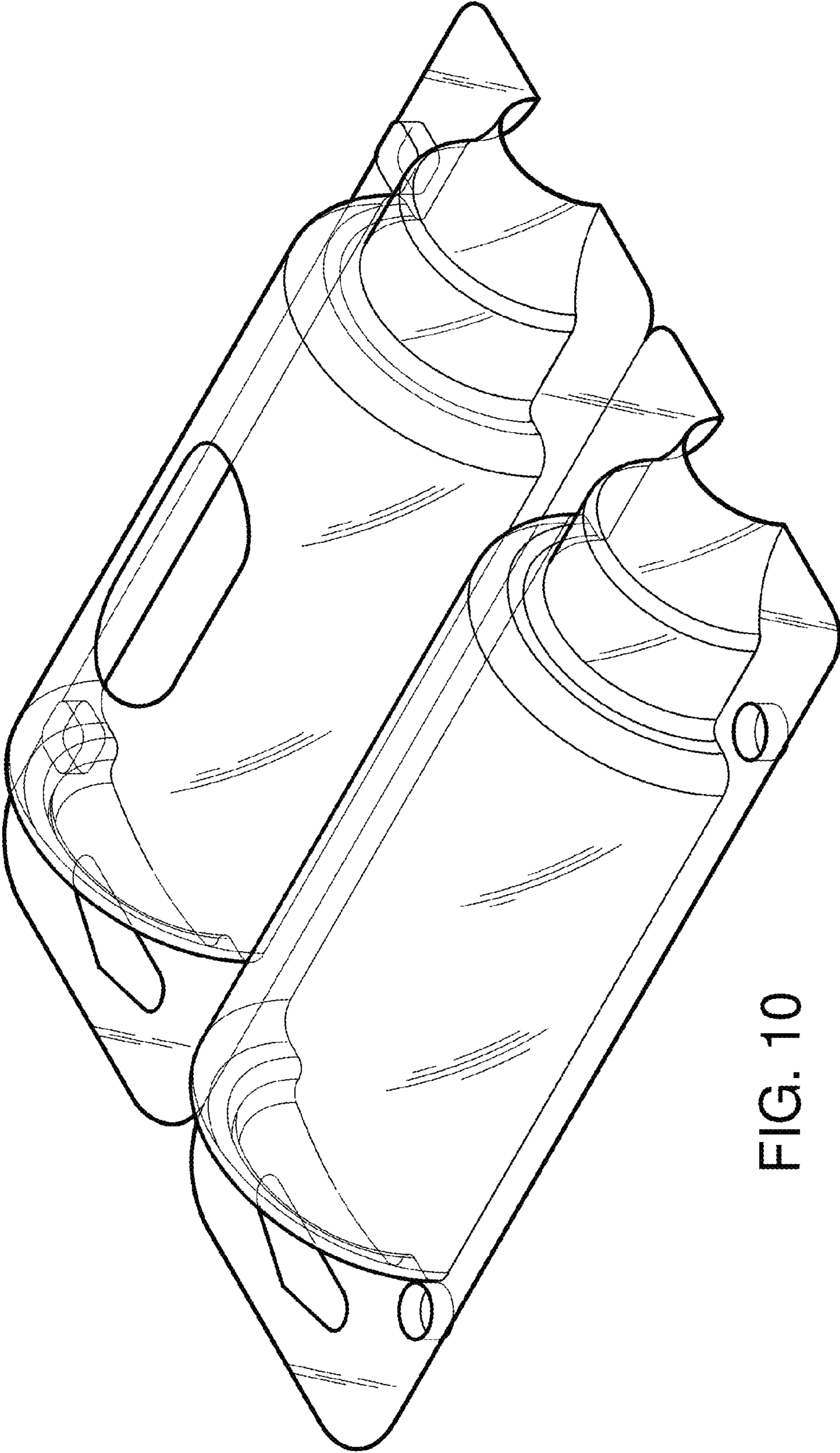


FIG. 10

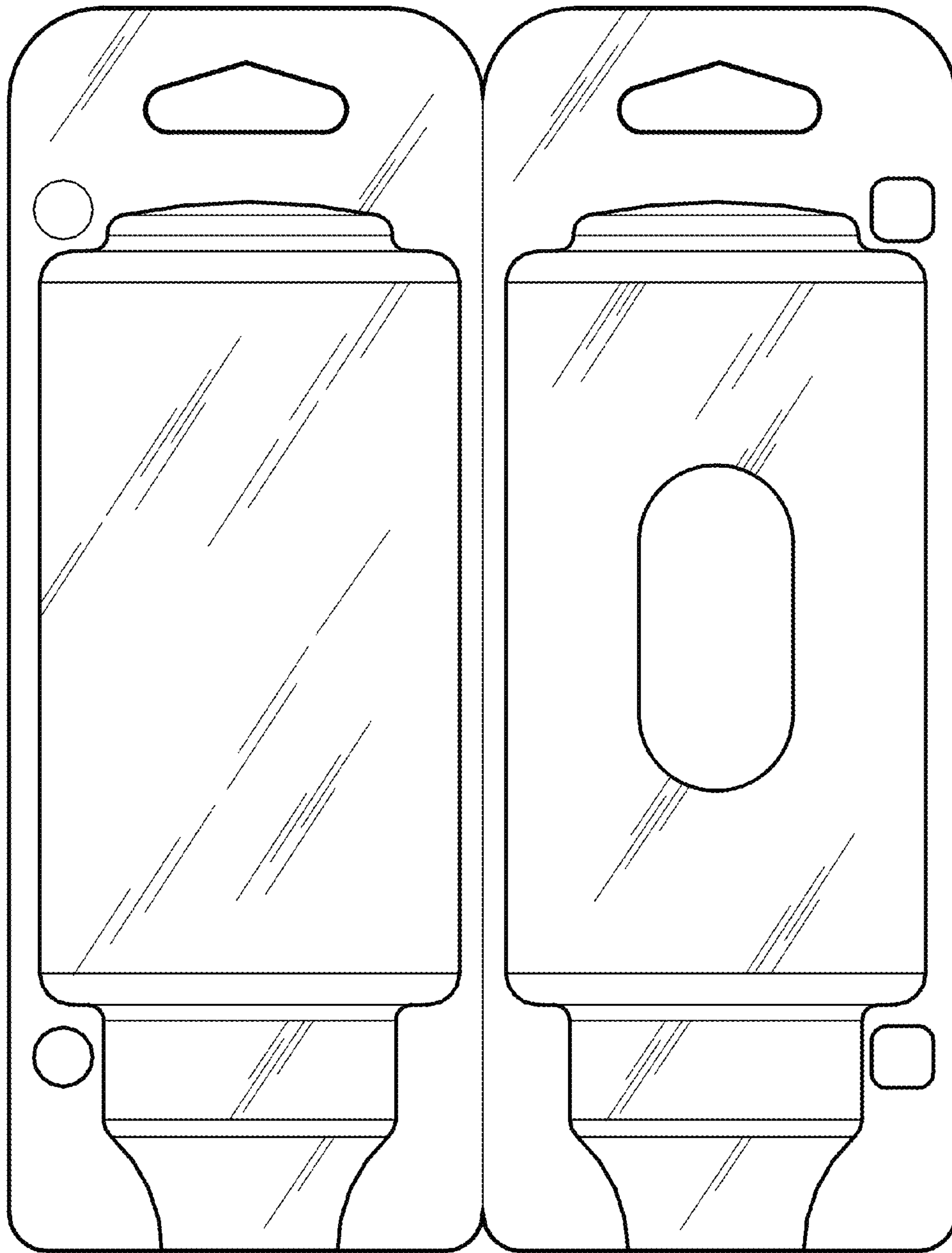


FIG. 11

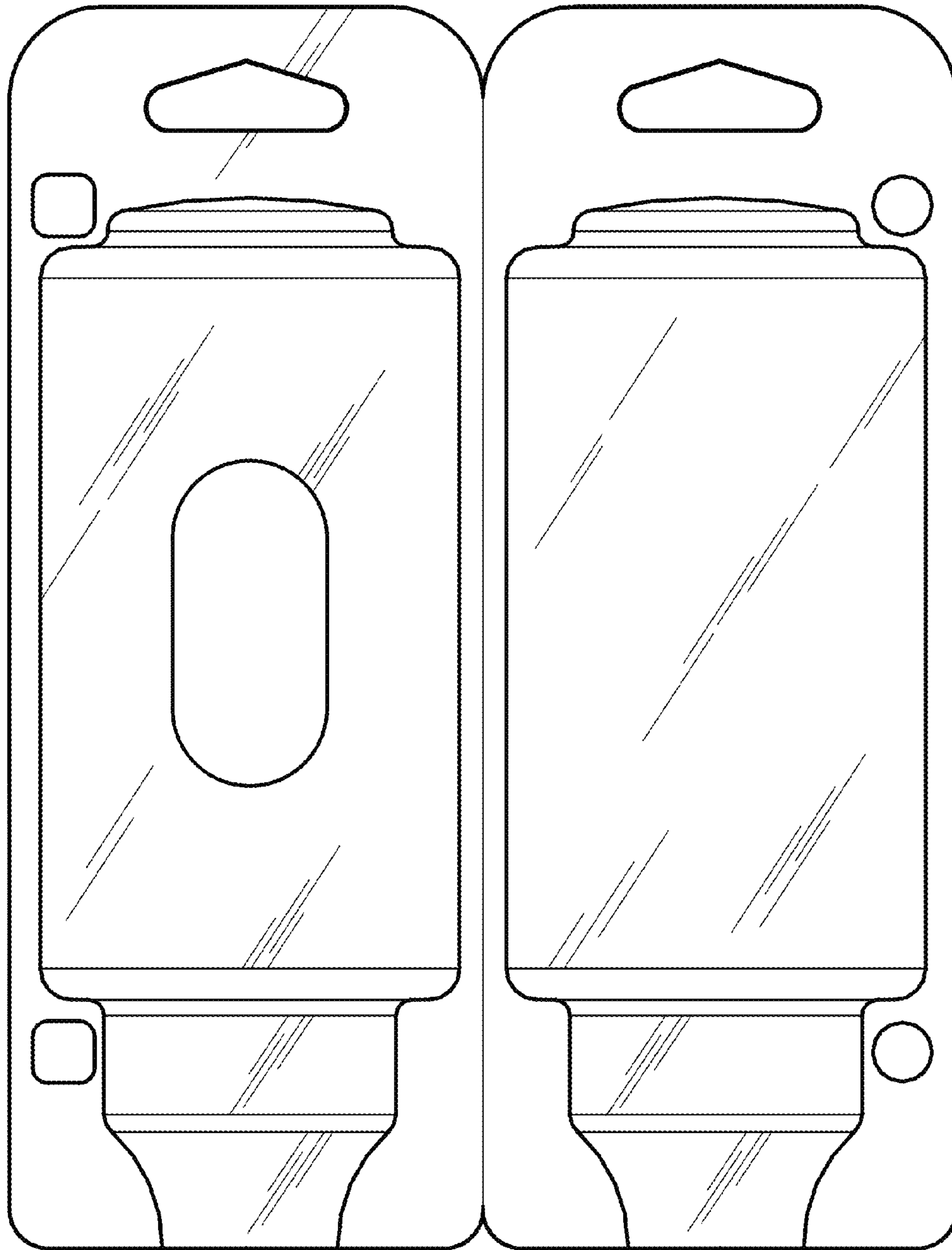


FIG. 12

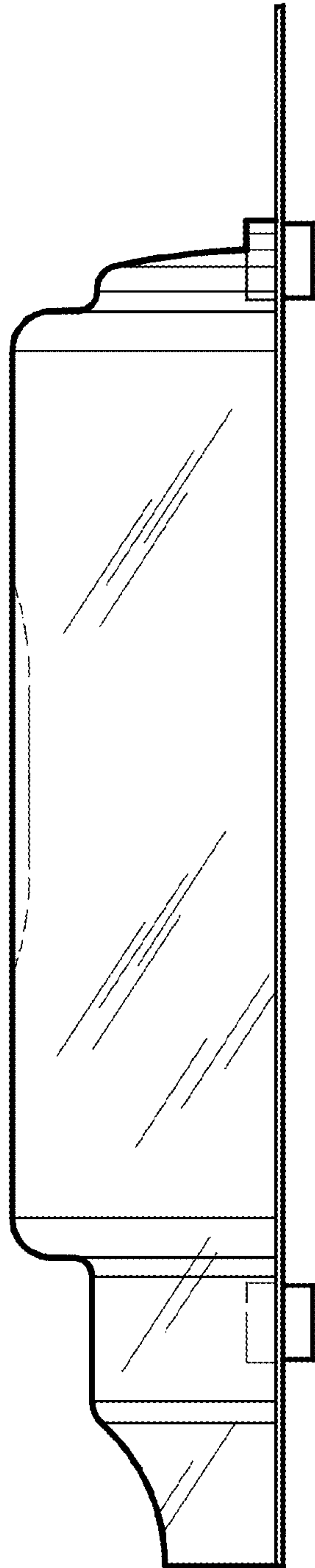


FIG. 13

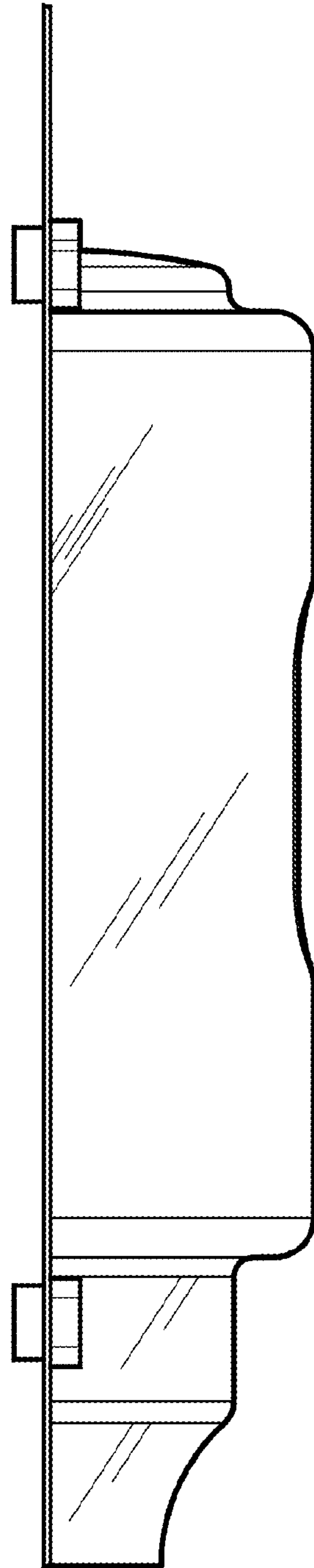


FIG. 14

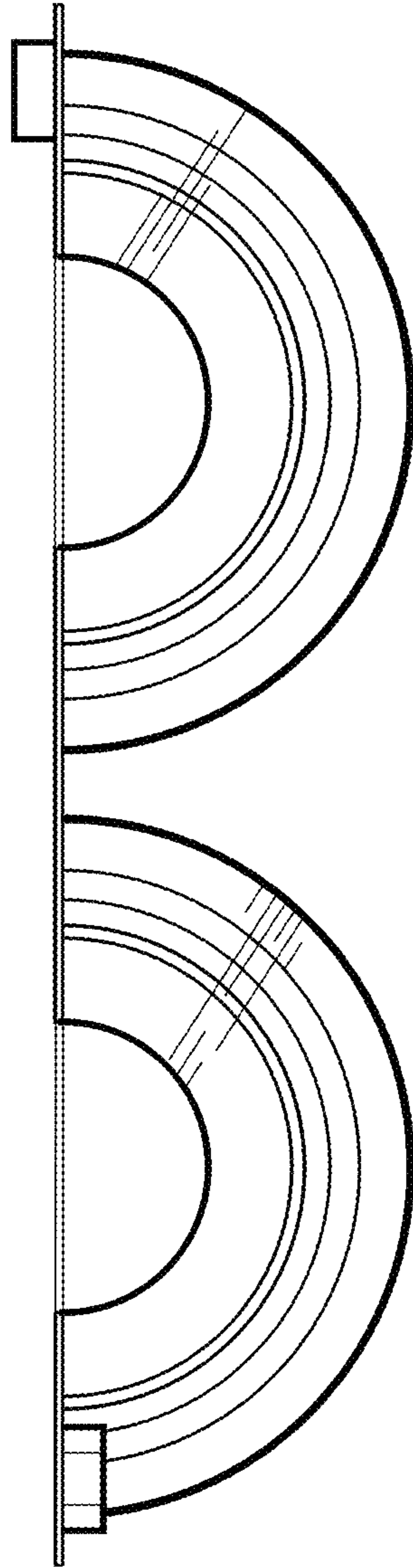


FIG. 15

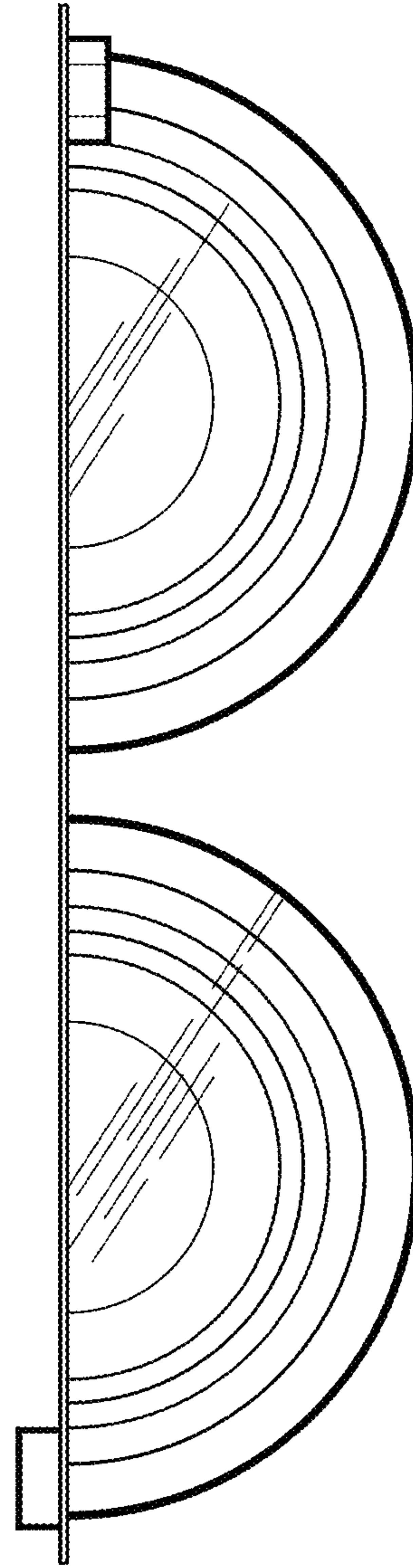


FIG. 16