



US00D759474S

(12) **United States Design Patent**
Pittman

(10) **Patent No.:** **US D759,474 S**
(45) **Date of Patent:** **** Jun. 21, 2016**

(54) **HANGER CLIP FOR STAIRWAY SPINDLES AND BALUSTERS**

(71) Applicant: **Craig Allen Pittman**, Bellevue, WA (US)

(72) Inventor: **Craig Allen Pittman**, Bellevue, WA (US)

(**) Term: **14 Years**

(21) Appl. No.: **29/474,930**

(22) Filed: **Mar. 19, 2015**

(51) **LOC (10) Cl.** **08-08**

(52) **U.S. Cl.**
USPC **D8/395**; D8/396

(58) **Field of Classification Search**
USPC D8/394–396, 349–356, 373, 400, D8/21–26, 29, 499; D24/138
CPC H01R 11/11; H01R 11/281; F16L 23/036; F16L 3/13; F16L 3/1058; E04B 2/74; E04B 2/7442
See application file for complete search history.

(56) **References Cited**

U.S. PATENT DOCUMENTS

2,191,782	A *	2/1940	Valane	A61G 7/05
					211/74
3,153,267	A *	10/1964	Rowland, Jr.	A61B 1/24
					24/339
RE26,486	E *	11/1968	Haegert	H01R 11/281
					439/763
D281,393	S *	11/1985	Karnhag	D6/552
D295,723	S *	5/1988	Shioda	D8/380
4,886,228	A *	12/1989	Kennedy	H02G 3/24
					24/115 A

(Continued)

FOREIGN PATENT DOCUMENTS

GB	2035376	*	4/1994
KR	300683651.0000	*	3/2013

OTHER PUBLICATIONS

Round Baluster Stair Connector | Solutions Aluminum Balusters | HHDepot, online, website copyright 2016, http://www.homeandhardwaredepot.com/Solutions-Round-Baluster-Stair-Connector_p_876.html, [site visited Jan. 28, 2016 8:05:01 PM].*

(Continued)

Primary Examiner — John Windmuller

Assistant Examiner — John R Yeh

(57) **CLAIM**

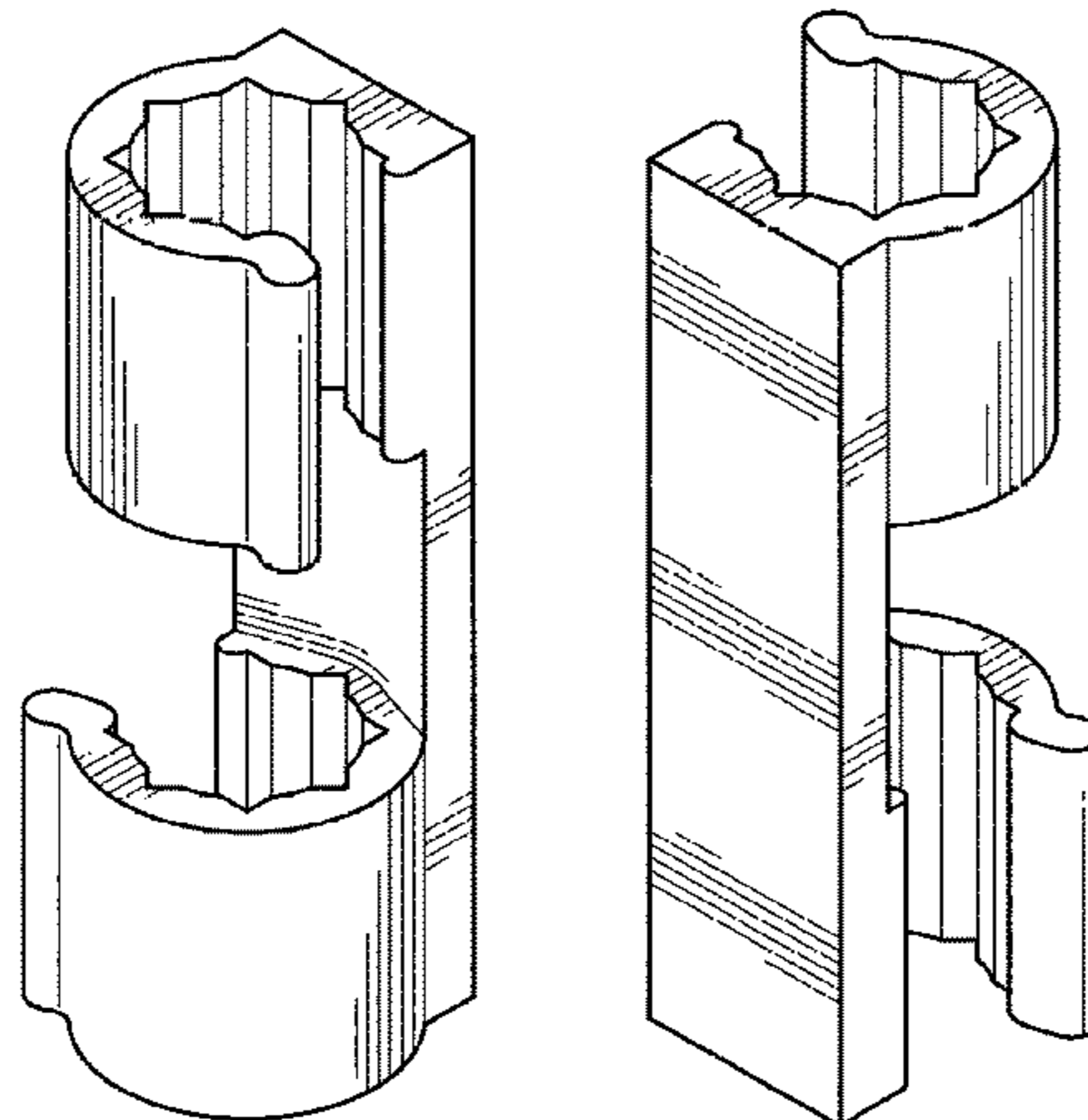
An ornamental design for a hanger clip for stairway spindles and balusters, as shown and described.

DESCRIPTION

FIG. 1 is a front, right perspective view for a hanger clip for stairway spindles and balusters; FIG. 2 is a back, left view thereof; FIG. 3 is a top view thereof; FIG. 4 is a left side view thereof; FIG. 5 is a front view thereof; FIG. 6 is a right side view thereof; FIG. 7 is a bottom view thereof; FIG. 8 is a rear view thereof; FIG. 9 is a front, right perspective view showing the hanger clip in use with a type of environment thereof; and, FIG. 10 is a front, right perspective view showing the hanger clip in use with a second type of environment thereof. The broken lines show unclaimed environment and form no part of the claimed design.

My new design for a “hanger clip” for stairway spindles & balusters is designed to allow stairway spindles & balusters to be decorated, highlighted or showcased in addition to the railings & bannisters. Instead of having to use nails, glue, tape, twine or cable ties to attach or hold greeting cards, holiday stockings & lighting, and other seasonal decorations to the spindles or balusters, my design allows for a quick attachment & detachment on circular, square or diamond shaped spindles or balusters at any height or placement. It can be used on stairway spindles & balusters, pipes, or similarly shaped structures in either interior or exterior applications.

1 Claim, 3 Drawing Sheets



(56)

References Cited

U.S. PATENT DOCUMENTS

D328,243 S * 7/1992 Parduhn D8/396
 D344,223 S * 2/1994 Kubicek D8/22
 5,498,088 A 3/1996 Choate et al.
 5,524,327 A * 6/1996 Mickel F16L 3/00
 24/115 A
 D373,077 S * 8/1996 Dudley D8/499
 5,642,557 A * 7/1997 Clews E04B 2/7442
 24/298
 5,857,658 A 1/1999 Niemlec
 5,979,274 A * 11/1999 Hsieh B25B 13/463
 81/125.1
 D424,414 S * 5/2000 Ziaylek D8/373
 6,237,888 B1 5/2001 Coll
 D459,960 S * 7/2002 Wei D8/25
 D470,937 S * 2/2003 Gary D24/138
 6,557,806 B2 5/2003 Davies
 6,581,896 B1 6/2003 Olexovitch

D477,770 S * 7/2003 Baker D8/373
 6,715,725 B2 4/2004 Chipka
 6,898,893 B1 5/2005 Mukdaprakorn
 D512,287 S * 12/2005 Li D8/25
 7,448,590 B1 11/2008 Holton
 D584,599 S * 1/2009 Chavez D8/356
 7,740,216 B1 6/2010 Puckett
 8,336,837 B2 12/2012 Gephart et al.
 D723,363 S * 3/2015 Symons D8/396
 D724,399 S * 3/2015 Chern D8/22
 D748,443 S * 2/2016 Ou D8/25

OTHER PUBLICATIONS

Ratchet wrench / combination / flexible / chrome—41 RM series—
 Bahco, online, website copyright 2016, <http://www.directindustry.com/prod/bahco/product-11555-1218425.html>, [site visited Feb. 3, 2016 9:38:46 PM].*

* cited by examiner

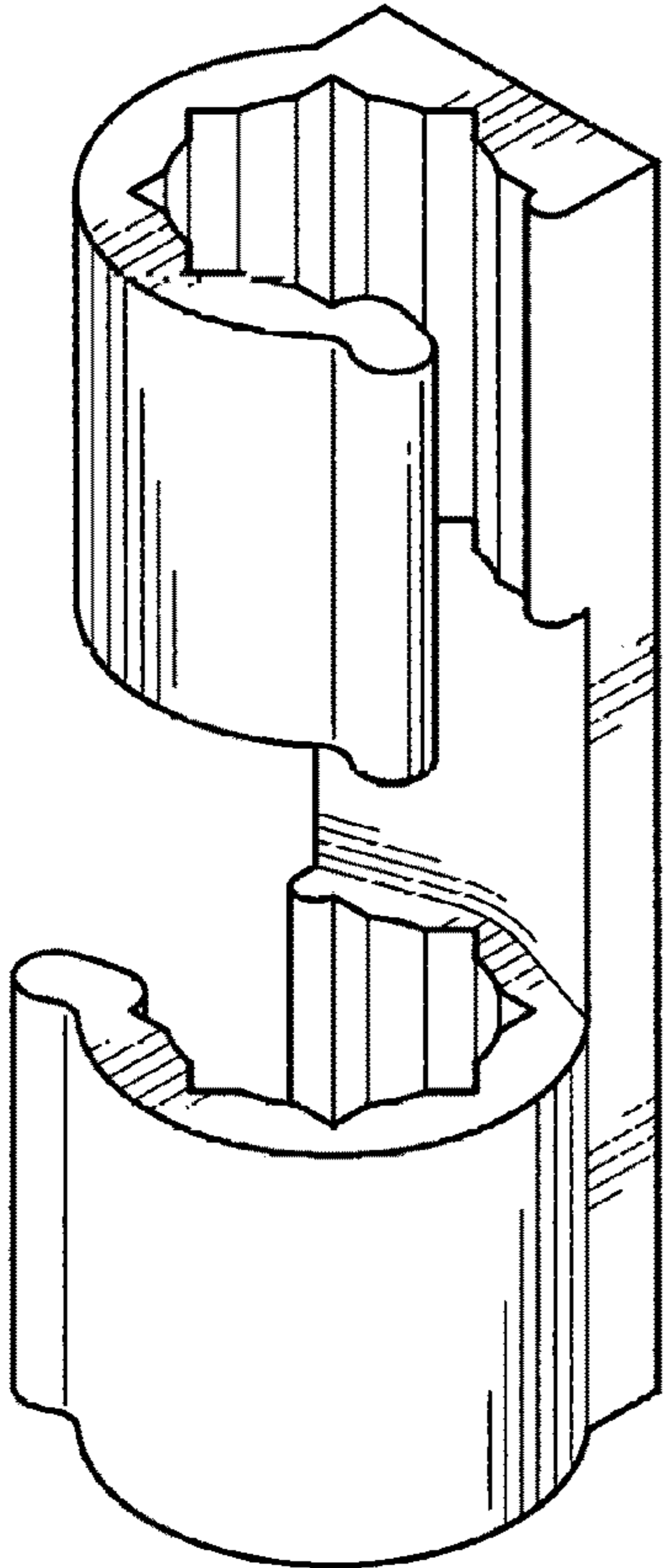


FIG. 1

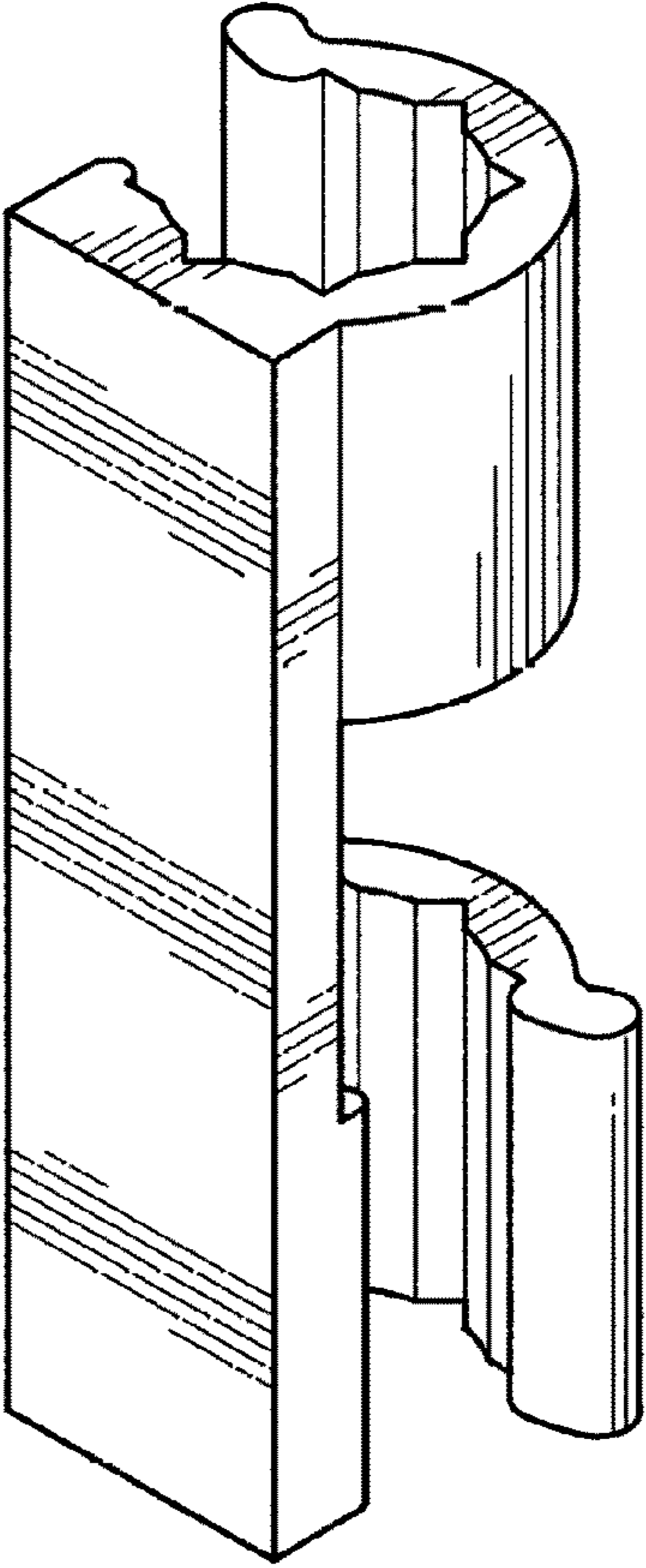


FIG. 2

FIG. 3

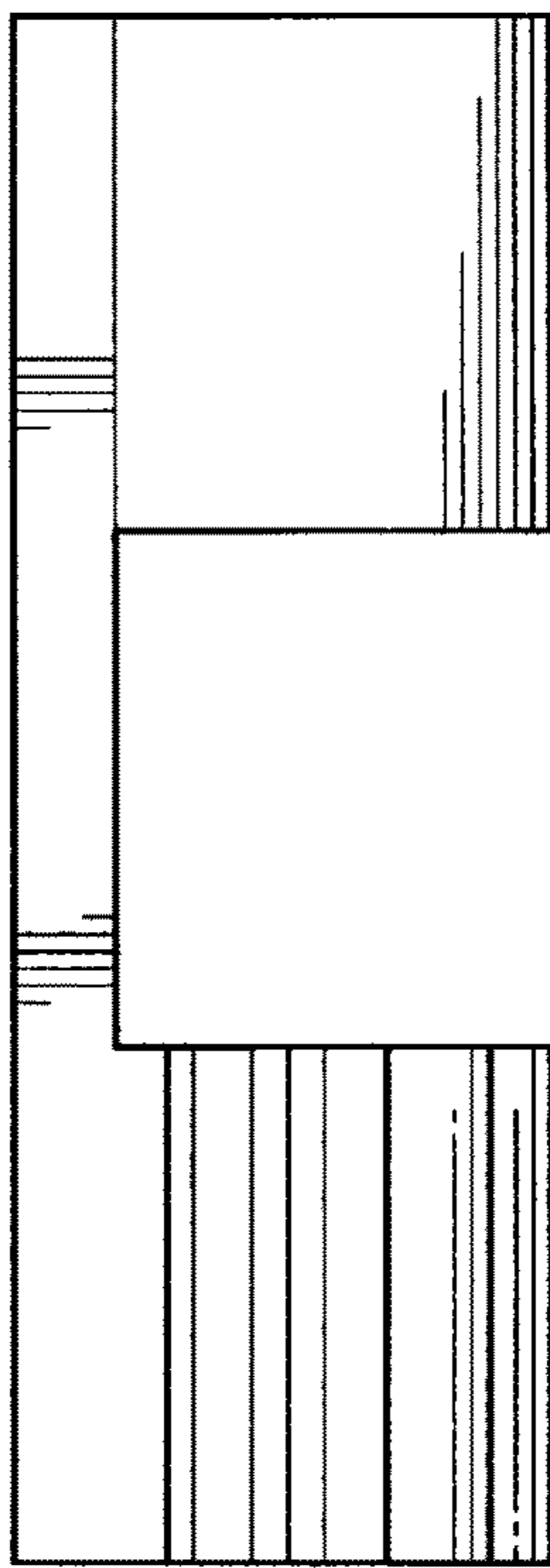
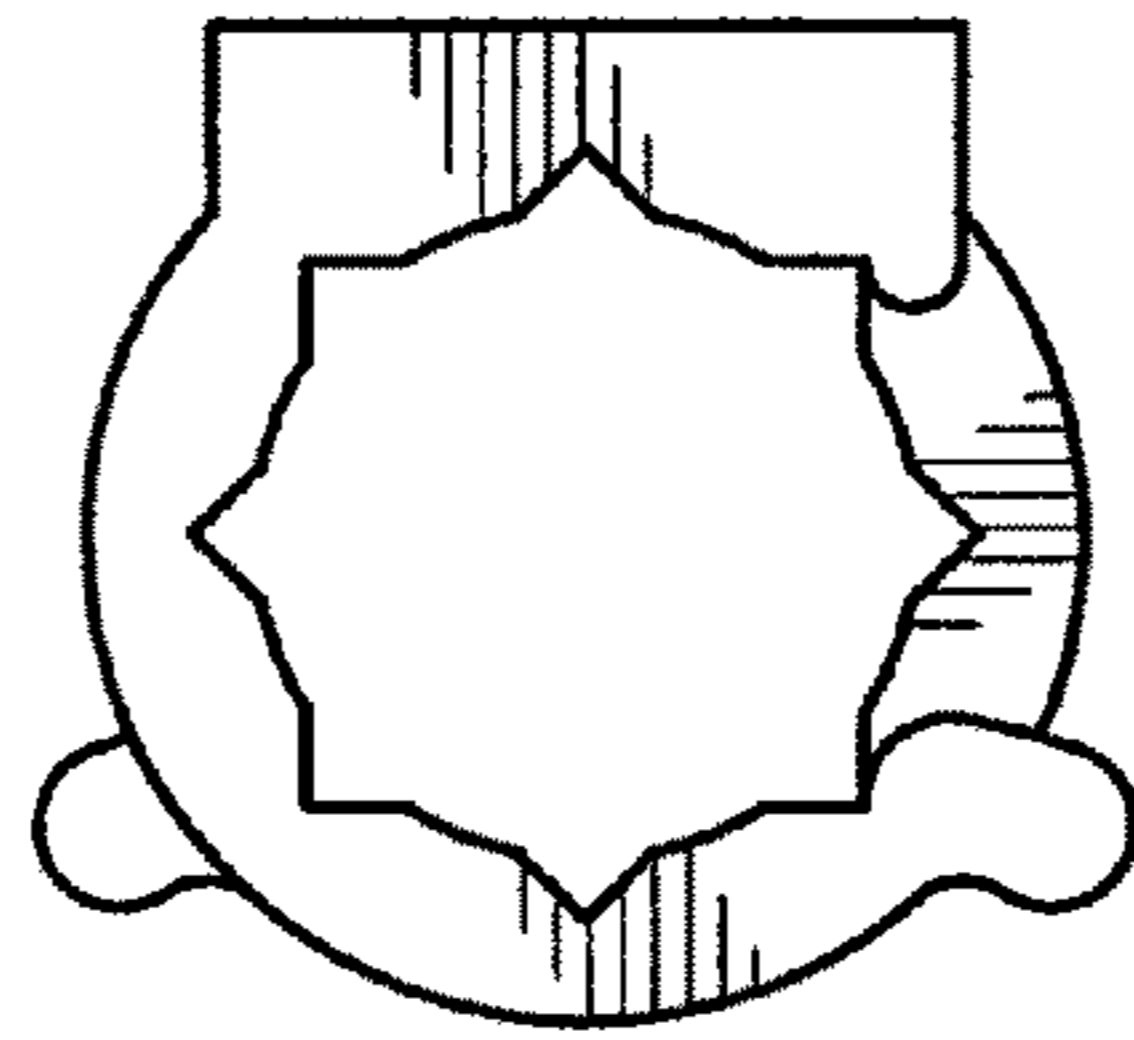


FIG. 4

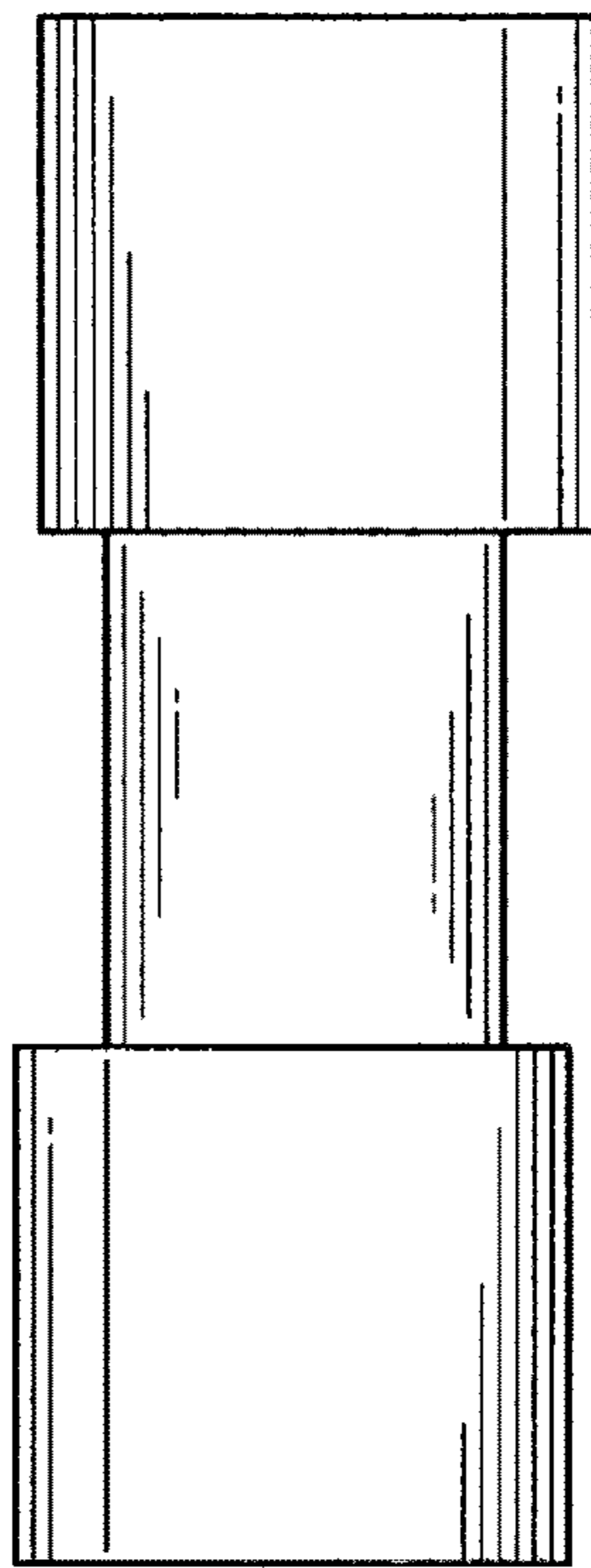


FIG. 5

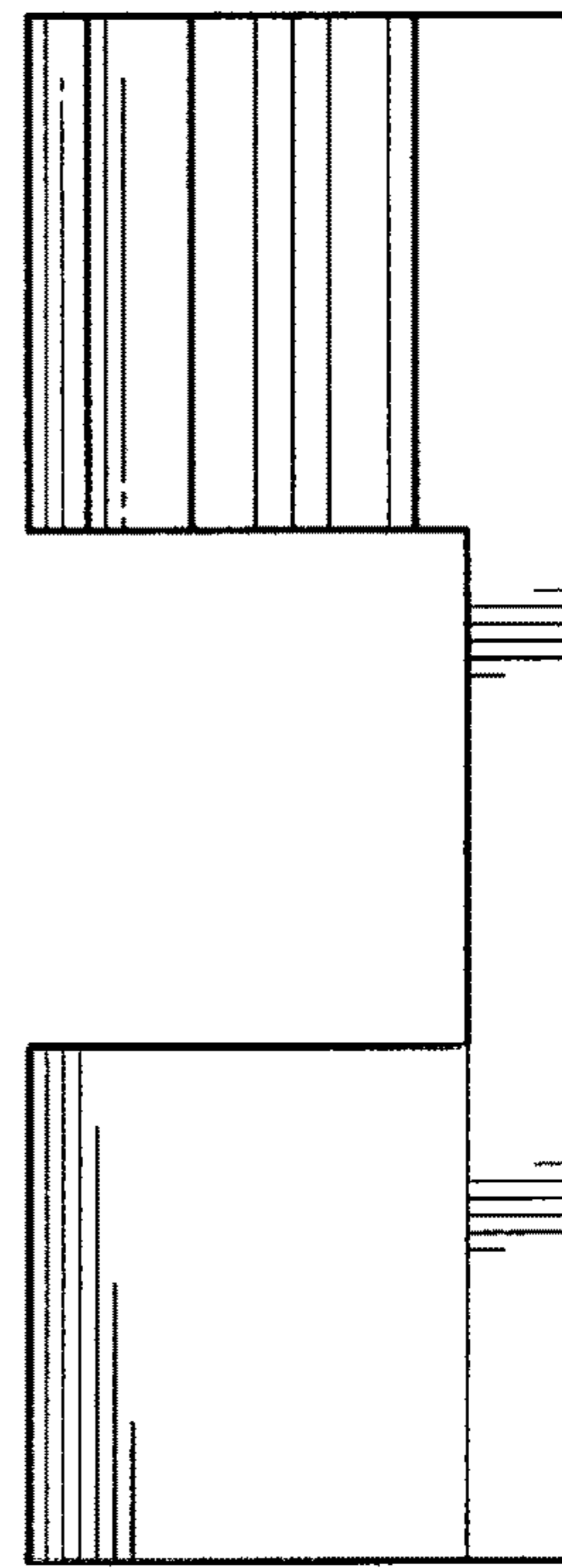


FIG. 6

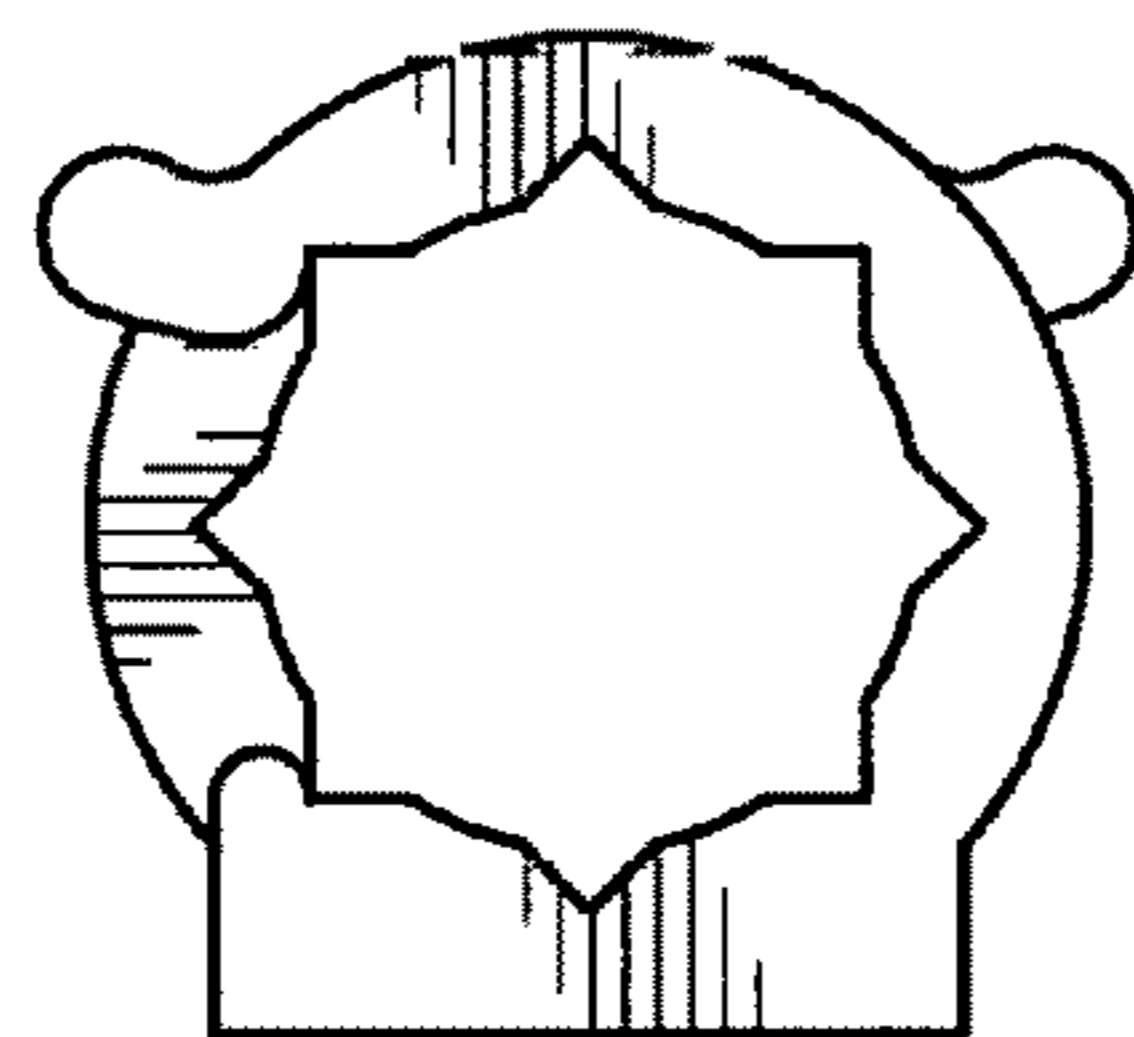


FIG. 7

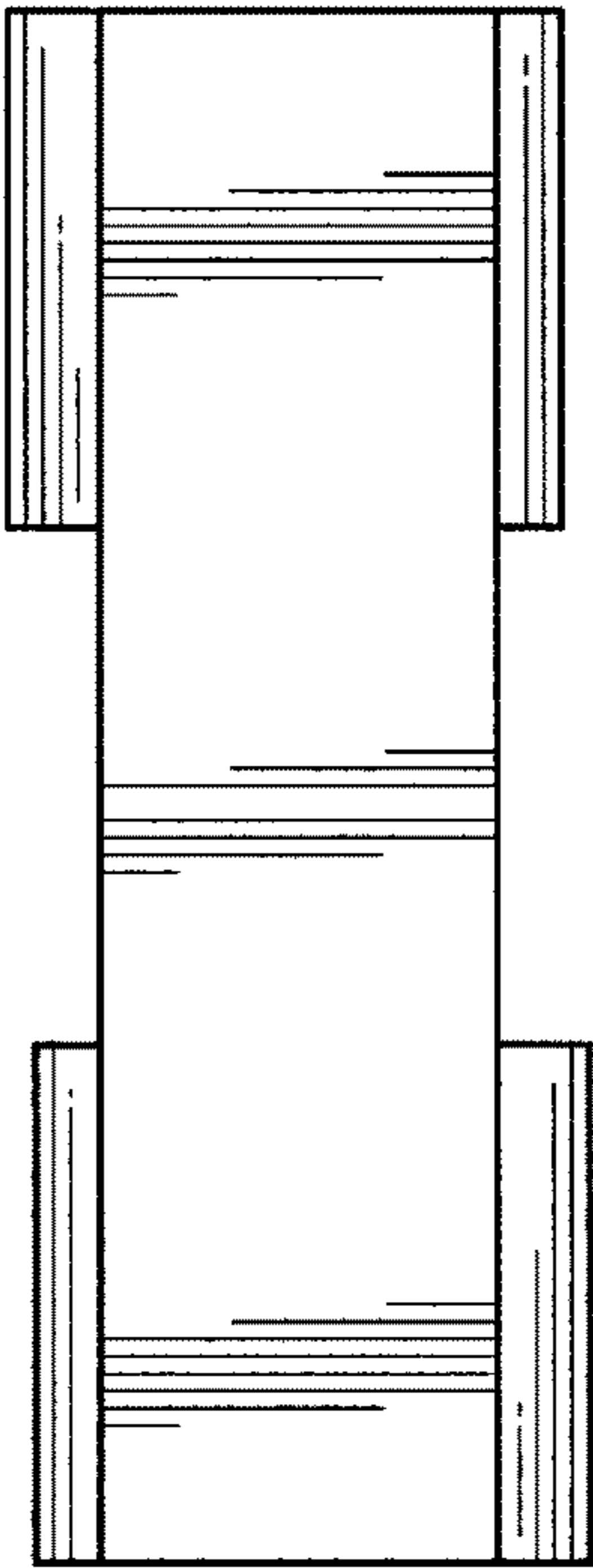


FIG. 8

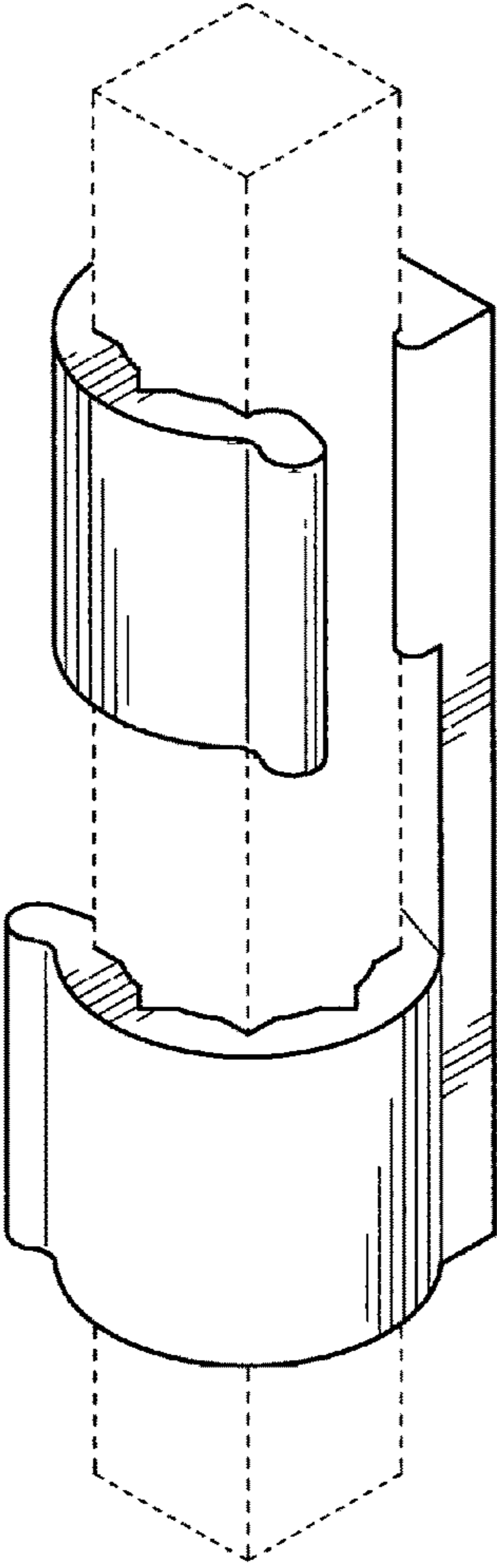


FIG. 9

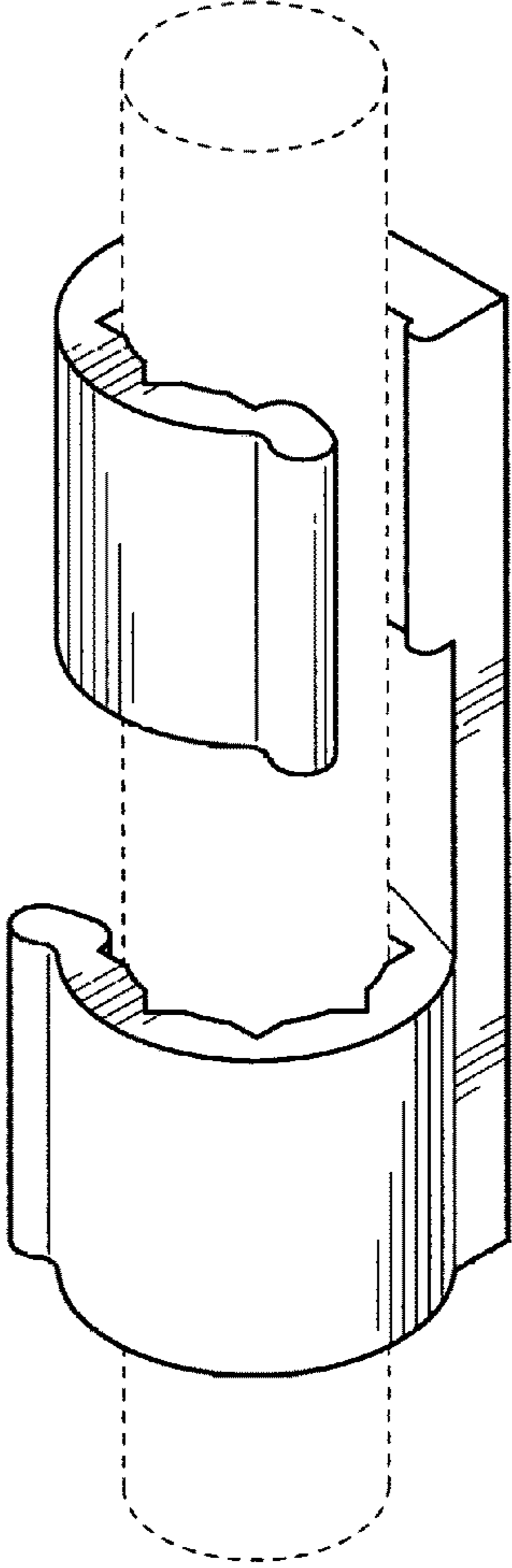


FIG. 10