



US00D759471S

(12) **United States Design Patent**  
**Lee et al.**

(10) **Patent No.:** **US D759,471 S**  
(45) **Date of Patent:** **\*\* Jun. 21, 2016**

- (54) **FASTENER FOR DECKING**
- (71) Applicant: **Elmich Pte Ltd**, Singapore (SG)
- (72) Inventors: **Alan Sian Ghee Lee**, Singapore (SG);  
**Henry Greaves**, Watsons Bay (AU)
- (73) Assignee: **ELMICH PTE LTD.**, Singapore (SG)
- (\*\*) Term: **14 Years**
- (21) Appl. No.: **29/487,508**
- (22) Filed: **Apr. 9, 2014**
- (30) **Foreign Application Priority Data**  
Oct. 18, 2013 (AU) ..... 15291/2013
- (51) **LOC (10) Cl.** ..... **08-08**
- (52) **U.S. Cl.**  
USPC ..... **D8/382**
- (58) **Field of Classification Search**  
USPC ..... D8/382, 349, 354, 363, 373, 374, 380,  
D8/394, 499  
CPC ..... E04F 15/02; E04F 2015/02094; E04F  
2201/05; E04F 15/04; E04F 2015/02088;  
F16B 5/002; Y10T 403/4602; Y10T 403/553;  
Y10T 403/75  
See application file for complete search history.

7,052,200	B2 *	5/2006	Harris	.....	E04F 15/04 403/231
D547,169	S *	7/2007	Harris	.....	D8/382
D585,269	S *	1/2009	Prichard, Jr.	.....	D8/382
7,516,586	B2 *	4/2009	Riccitelli	.....	A47B 96/06 52/582.1
D600,105	S *	9/2009	Harris	.....	D8/382
D610,440	S *	2/2010	Prichard, Jr.	.....	D8/382
7,984,599	B2 *	7/2011	Snell	.....	E01C 5/005 52/586.1
8,161,702	B2 *	4/2012	Eberle, III	.....	E04F 15/04 403/231
D677,203	S *	3/2013	Russell	.....	D12/100
8,806,829	B2 *	8/2014	Pelc	.....	E04F 15/02 403/408.1
2004/0020152	A1 *	2/2004	Harris, Sr.	.....	E04B 5/12 52/582.1
2006/0059822	A1 *	3/2006	Guffey	.....	E04F 15/02 52/480
2008/0279654	A1 *	11/2008	Deschamps	.....	E04F 15/02 411/457
2015/0202678	A1 *	7/2015	Wadsworth	.....	E04F 15/02 29/428
2015/0275951	A1 *	10/2015	Shadwell	.....	E04F 15/02044 411/511

\* cited by examiner

*Primary Examiner* — Sheryl Lane  
*Assistant Examiner* — Ieisha Price

(57) **CLAIM**  
The ornamental design for a fastener for decking, as shown and described.

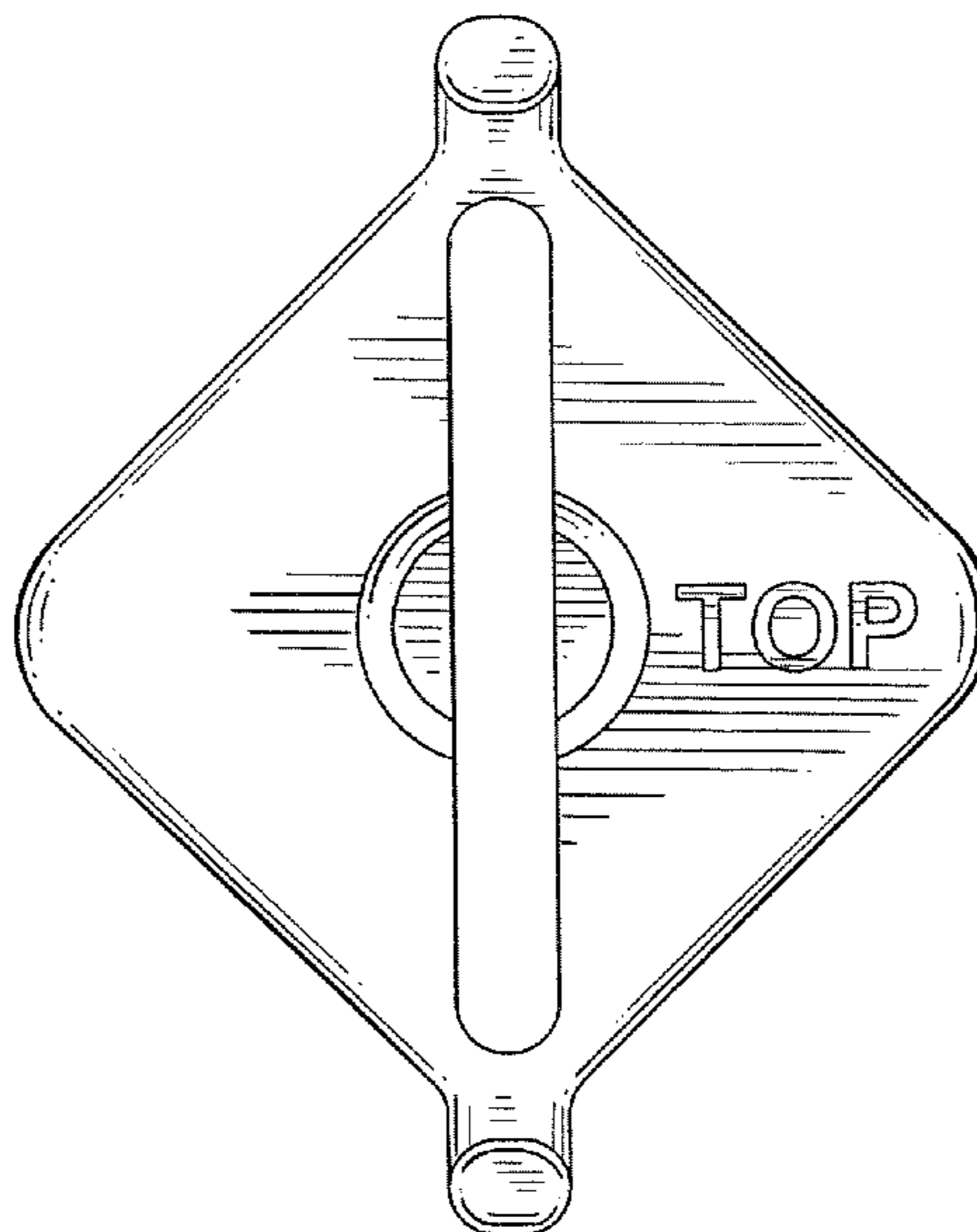
(56) **References Cited**  
U.S. PATENT DOCUMENTS

D240,589	S *	7/1976	Cooper	.....	D8/330
6,402,415	B1 *	6/2002	Eberle, III	.....	E04F 13/0846 403/231
D460,681	S *	7/2002	Edwards	.....	D8/354
D470,039	S *	2/2003	Pelc	.....	D8/382
D485,160	S *	1/2004	Pelc	.....	D8/382
6,810,633	B2 *	11/2004	Harris, Sr.	.....	E04B 5/12 52/489.2

**DESCRIPTION**

FIG. 1 is a top view of the fastener for decking;  
FIG. 2 is a top isometric view of the fastener for decking;  
FIG. 3 is a side view of the fastener for decking;  
FIG. 4 is a front view of the fastener for decking with the rear view being a mirror image of; and,  
FIG. 5 is a bottom view of the fastener for decking.

**1 Claim, 5 Drawing Sheets**



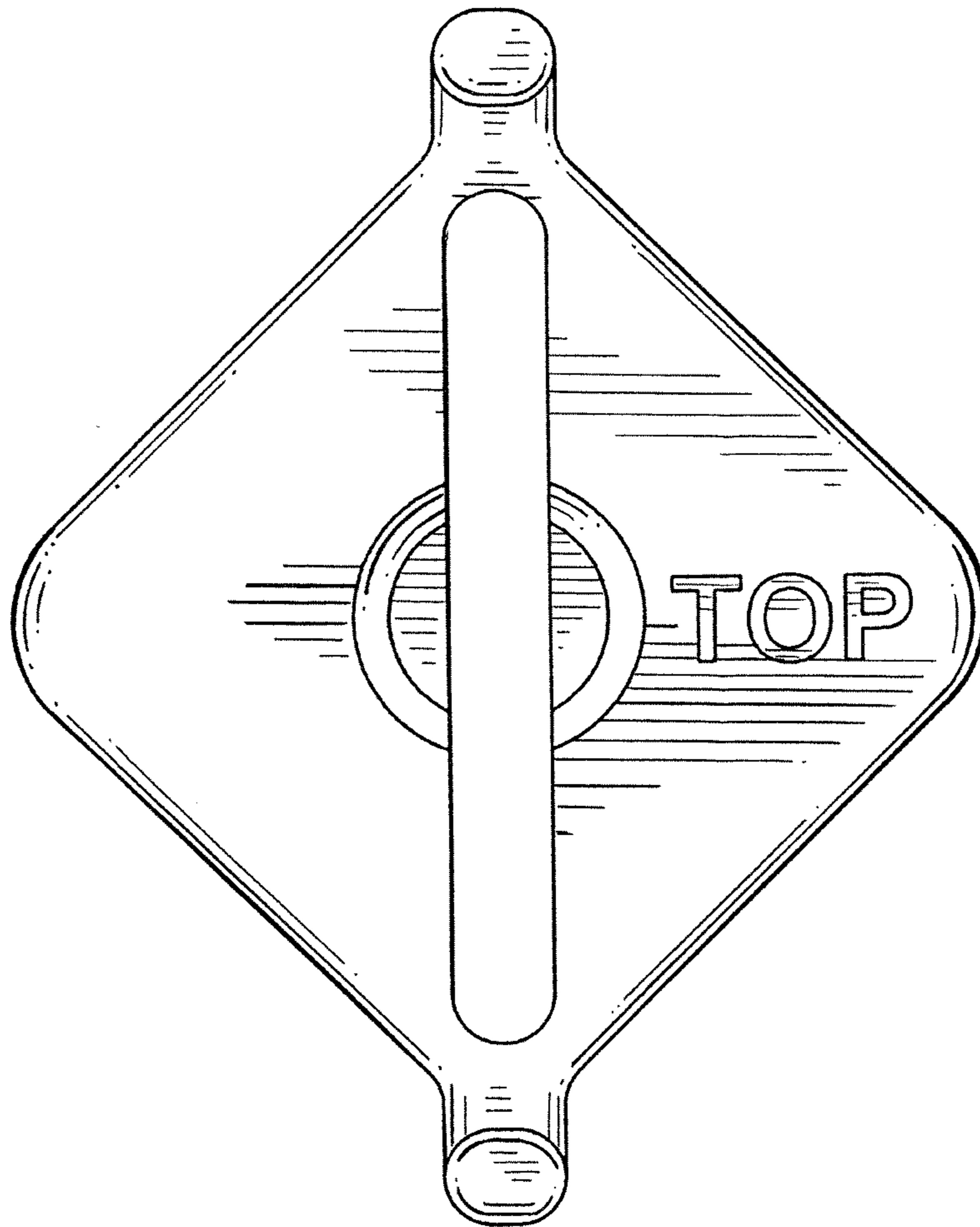


Figure 1

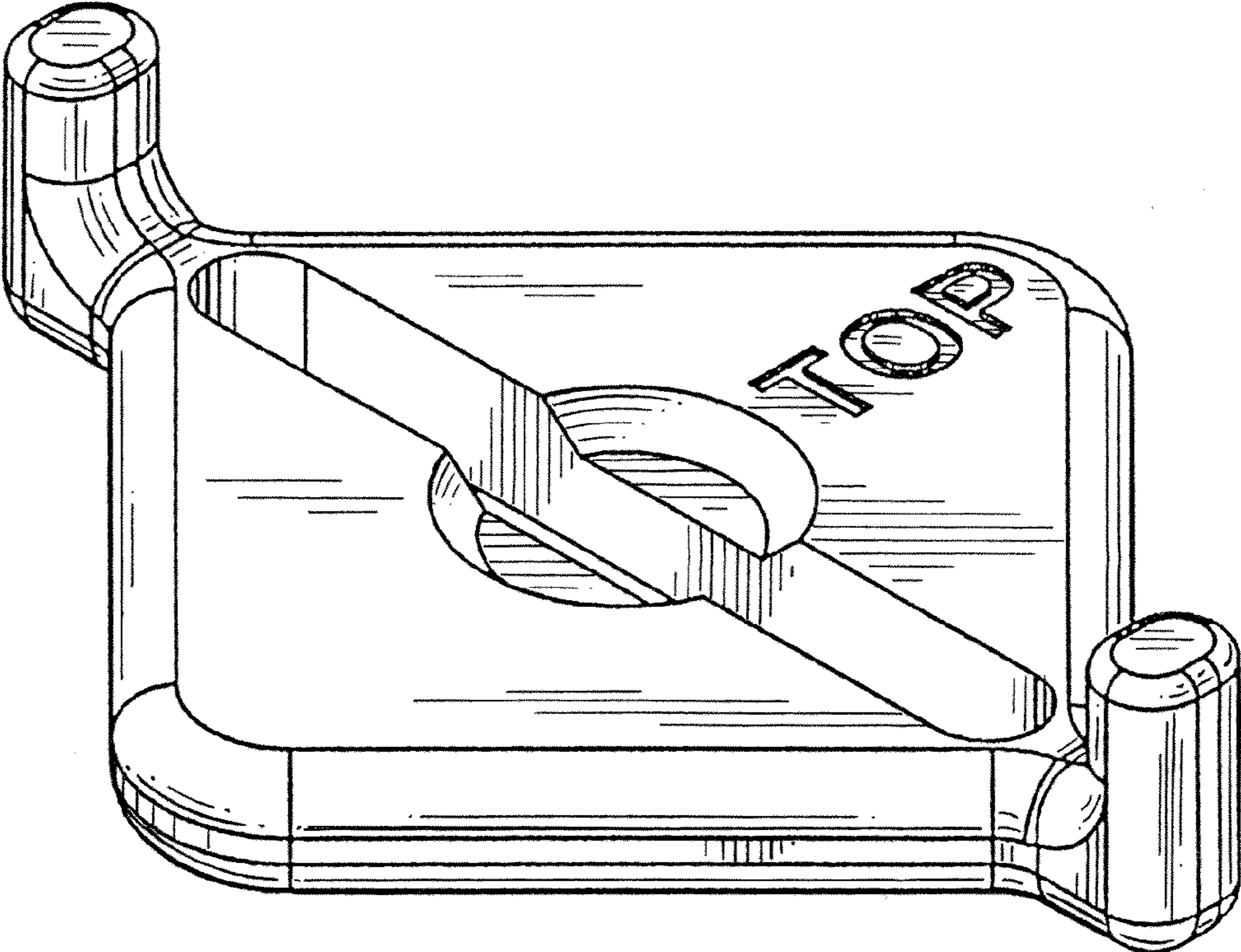


Figure 2

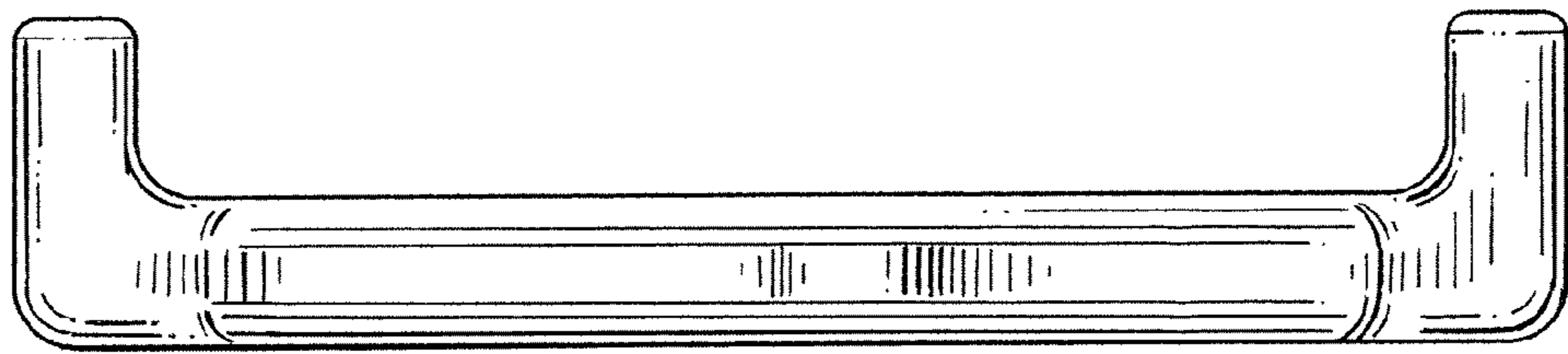


Figure 3

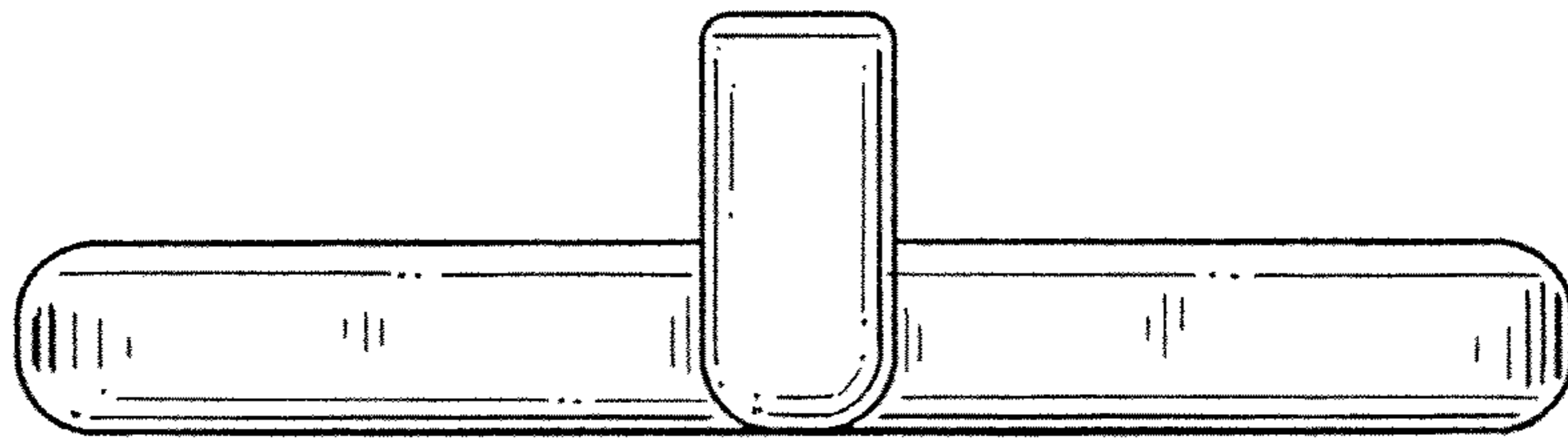


Figure 4

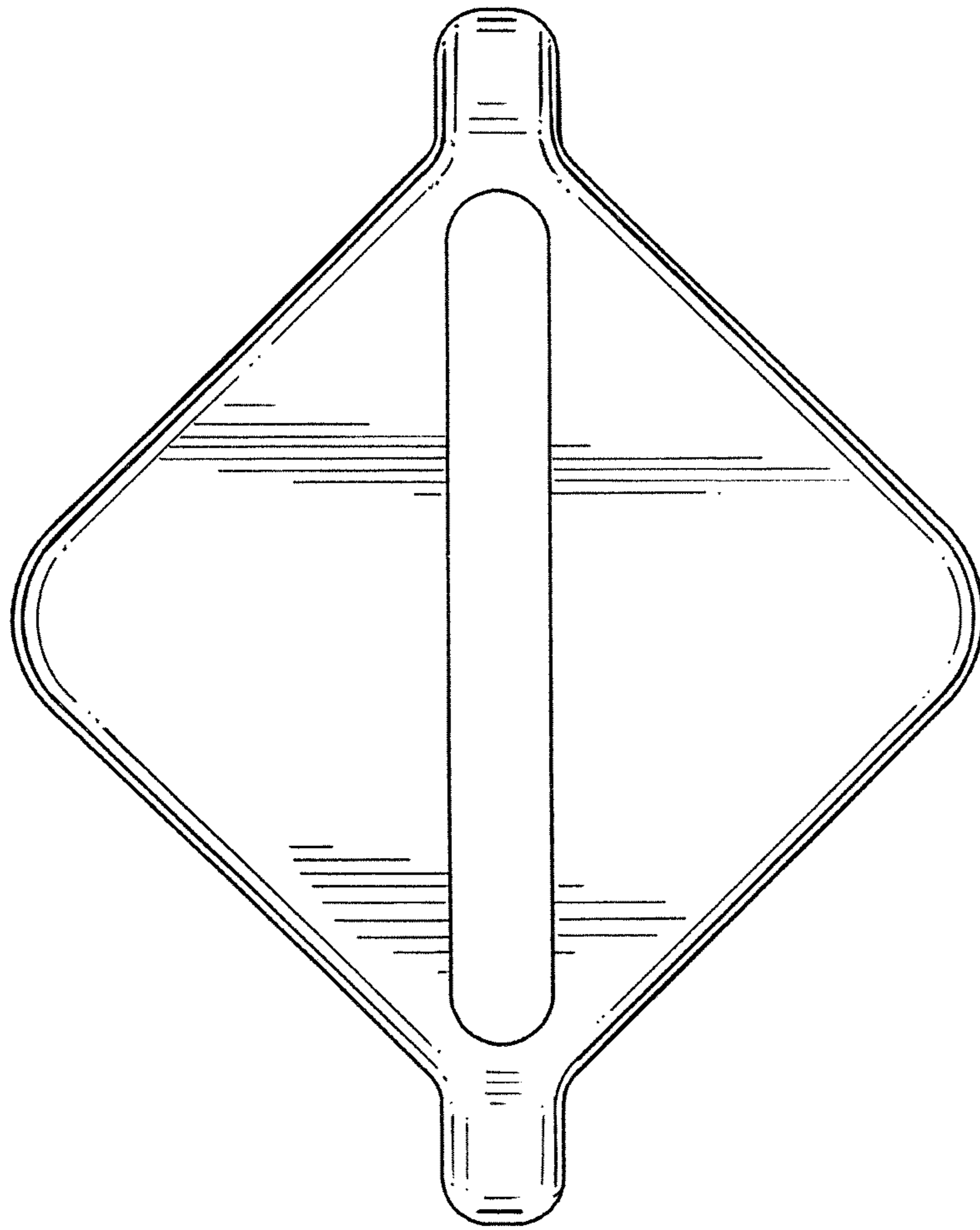


Figure 5