



US00D759470S

(12) **United States Design Patent**  
**Pan**

(10) **Patent No.:** **US D759,470 S**  
(45) **Date of Patent:** **\*\* Jun. 21, 2016**

(54) **HOLDER**

(71) Applicant: **3M INNOVATIVE PROPERTIES COMPANY**, St. Paul, MN (US)

(72) Inventor: **Angela L. Pan**, Woodbury, MN (US)

(73) Assignee: **3M INNOVATIVE PROPERTIES COMPANY**, St. Paul, MN (US)

(\*\*) Term: **14 Years**

(21) Appl. No.: **29/486,984**

(22) Filed: **Apr. 4, 2014**

(51) **LOC (10) Cl.** ..... **08-05**

(52) **U.S. Cl.**  
USPC ..... **D8/372**

(58) **Field of Classification Search**  
USPC ..... D8/16, 17, 18, 19, 20, 26, 363, 366, D8/370-377, 380-382  
CPC ..... B25B 27/00; B25B 27/14; B25B 27/02; B25B 9/00; B25B 27/0092; B25B 27/023; B25B 31/00; B25B 27/0028; B25B 27/0035; B25B 27/062; B25B 33/00; B25B 9/02; B25B 13/48; B25B 23/00; B25B 23/10; B25B 23/101; B25B 27/10

See application file for complete search history.

(56) **References Cited**

**U.S. PATENT DOCUMENTS**

D132,368 S *	5/1942	Jorgensen	47/67
D143,677 S	1/1946	Smith	
D199,321 S	10/1964	Peterson	
D253,737 S *	12/1979	Brink	D6/552
D291,154 S	8/1987	Owen	
D294,791 S *	3/1988	Loscalzo	D6/323
4,830,198 A	5/1989	Colquitt	
D304,984 S *	12/1989	French	D6/552
D327,197 S	6/1992	Belokin, Jr.	
D377,896 S	2/1997	Mesna	
D404,287 S	1/1999	Hepworth	

D409,426 S	5/1999	Hampshire	
D417,606 S	12/1999	Bries	
D421,381 S *	3/2000	Rashid	D8/372
D423,339 S *	4/2000	Snell	D6/567
D458,070 S	6/2002	Bennett	
D472,134 S	3/2003	Goodman	
D480,292 S	10/2003	Johansson	
D483,593 S	12/2003	Knapp	
D499,329 S *	12/2004	Suero, Jr.	D8/372
D502,221 S	2/2005	Chen	
D532,234 S	11/2006	Snell	

(Continued)

**FOREIGN PATENT DOCUMENTS**

AU	358955	11/2014
CA	154536	7/2015

(Continued)

**OTHER PUBLICATIONS**

“11-Peg Acrylic Necklace Rack”, The Container Store, [available and retrieved on the internet Apr. 1, 2014], <<http://www.containerstore.com/shop/jewelryStorage/hanging?productId=10028400&N=81049>>.

*Primary Examiner* — Robert M Spear  
*Assistant Examiner* — Eliza Bennett-Hattan  
(74) *Attorney, Agent, or Firm* — Irina Hass

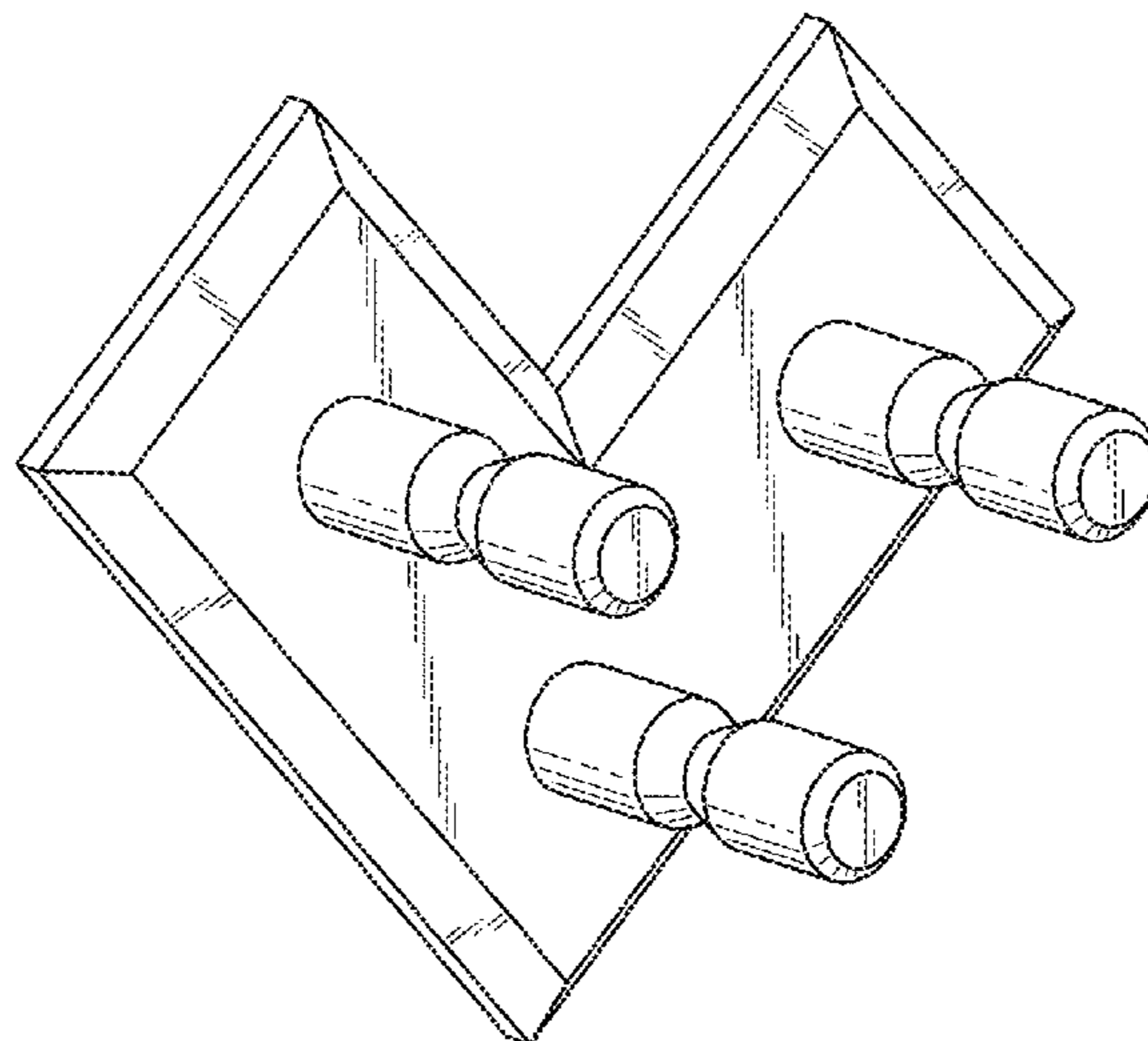
(57) **CLAIM**

The ornamental design for a holder, as shown and described.

**DESCRIPTION**

FIG. 1 is a perspective view showing the new design for a holder;  
FIG. 2 is a front view thereof;  
FIG. 3 is a rear view thereof;  
FIG. 4 is a top view thereof;  
FIG. 5 is a bottom view thereof; and,  
FIG. 6 is a right side view thereof, a left side view being a mirror image thereof.

**1 Claim, 3 Drawing Sheets**



(56)

**References Cited**

U.S. PATENT DOCUMENTS

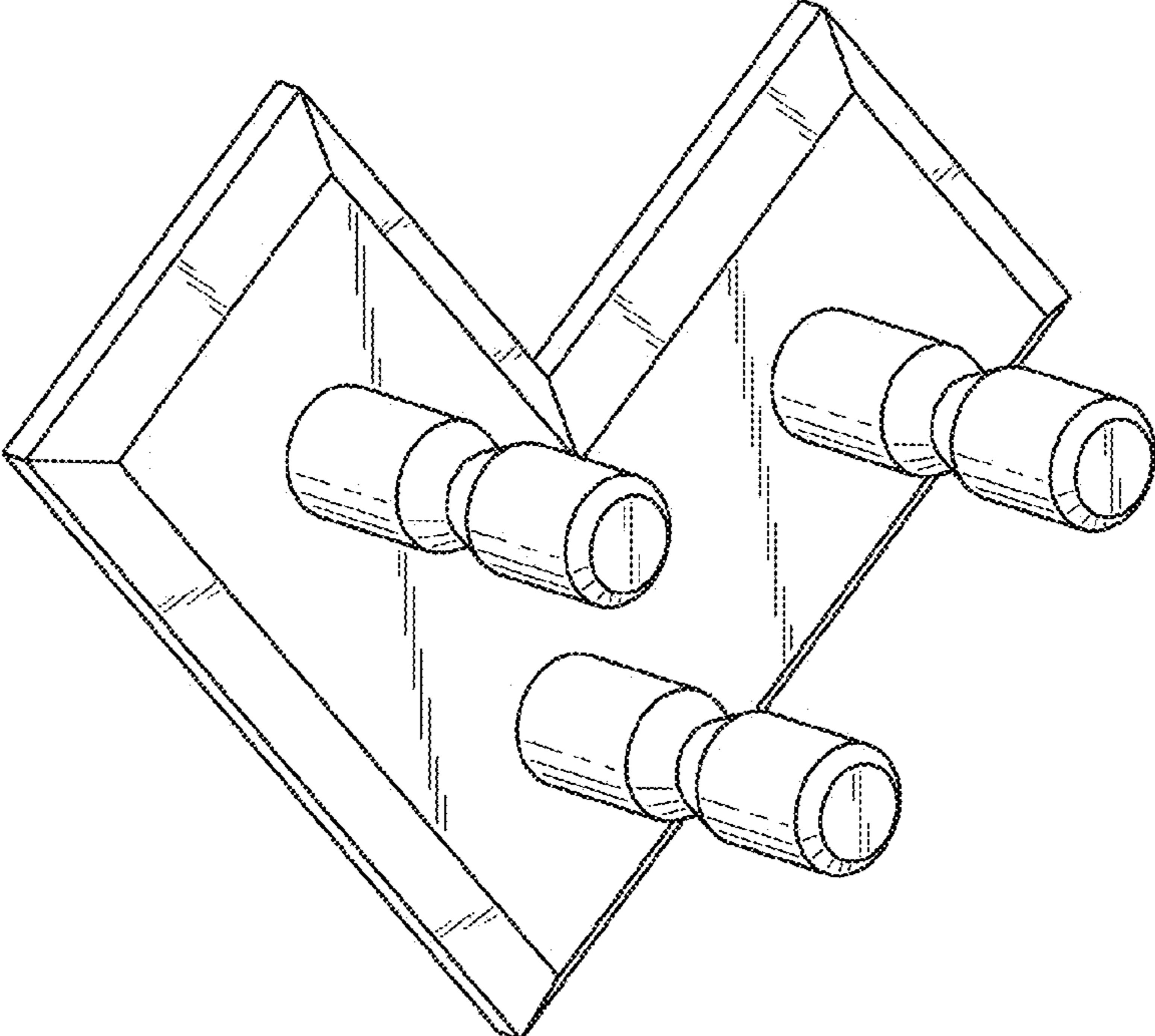
D543,837 S 6/2007 Newbould  
 D547,584 S \* 7/2007 Little ..... D6/569  
 D554,481 S 11/2007 Newbould  
 D554,482 S 11/2007 Hager  
 D556,025 S \* 11/2007 Kubota ..... D8/372  
 D559,089 S 1/2008 Goodman  
 D564,819 S \* 3/2008 Fosburg ..... D6/569  
 D581,711 S 12/2008 Goodman  
 D609,995 S 2/2010 Hager  
 D632,950 S 2/2011 McGreevy  
 D641,228 S 7/2011 Qiblawi  
 D665,653 S 8/2012 Thompson  
 D678,041 S 3/2013 Pan  
 D679,578 S \* 4/2013 Gilboe ..... D6/569  
 D680,804 S 4/2013 Gilboe  
 D680,852 S 4/2013 Gilboe  
 D682,014 S 5/2013 Gilboe

D682,664 S 5/2013 Gilboe  
 D686,021 S 7/2013 Gilboe  
 D690,531 S 10/2013 Gilboe  
 D690,532 S 10/2013 Gilboe  
 D694,097 S 11/2013 Hammer  
 D697,389 S 1/2014 Pan  
 D699,973 S 2/2014 Pan  
 D714,621 S 10/2014 Pan  
 D714,622 S 10/2014 Pan  
 D715,625 S 10/2014 Pan  
 D716,134 S 10/2014 Pan

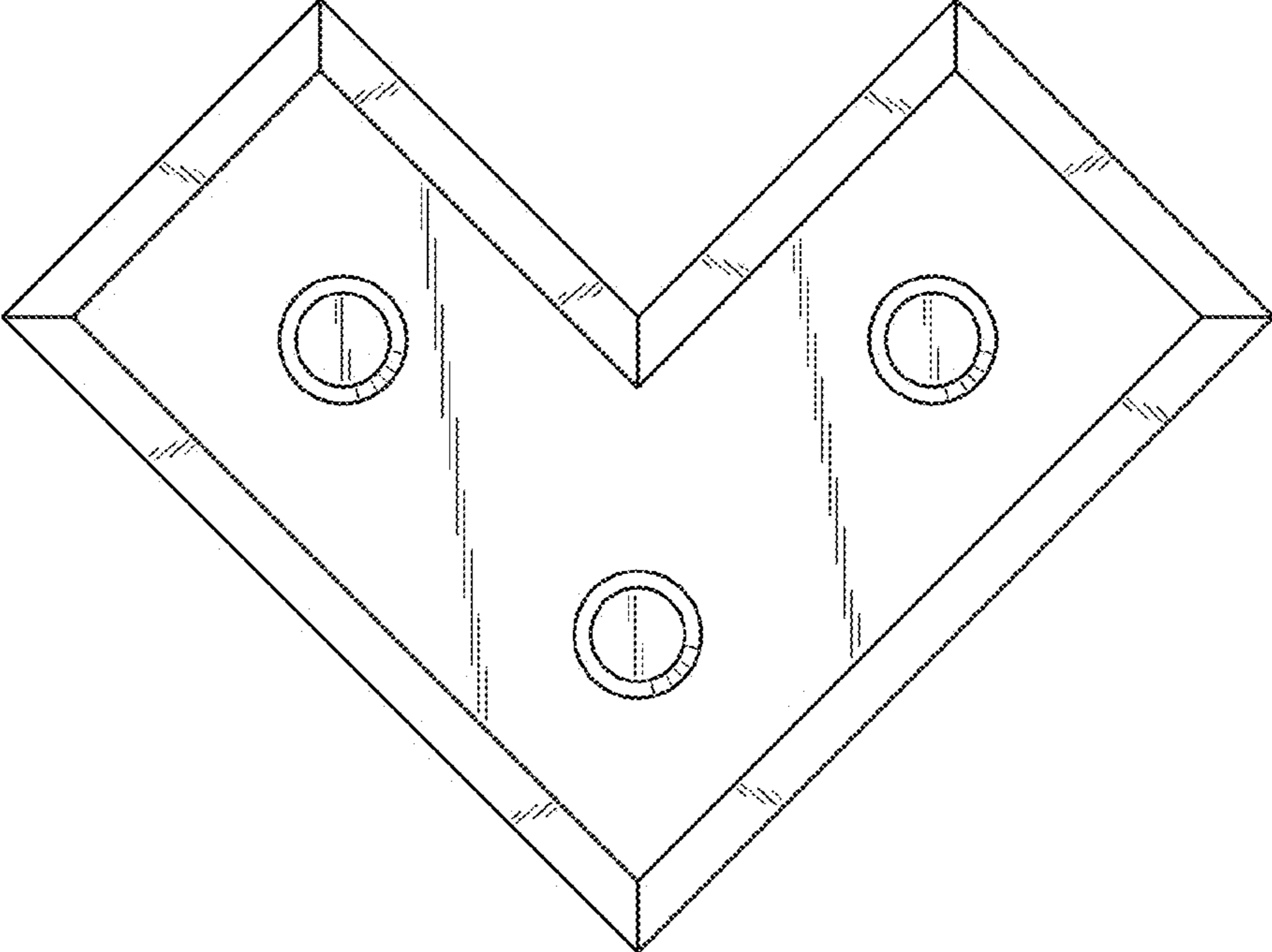
FOREIGN PATENT DOCUMENTS

EM 000078886-0014 9/2003  
 EM 000078886-0015 9/2003  
 EM 000098694-0016 11/2003  
 KR 30-0406097 2/2006

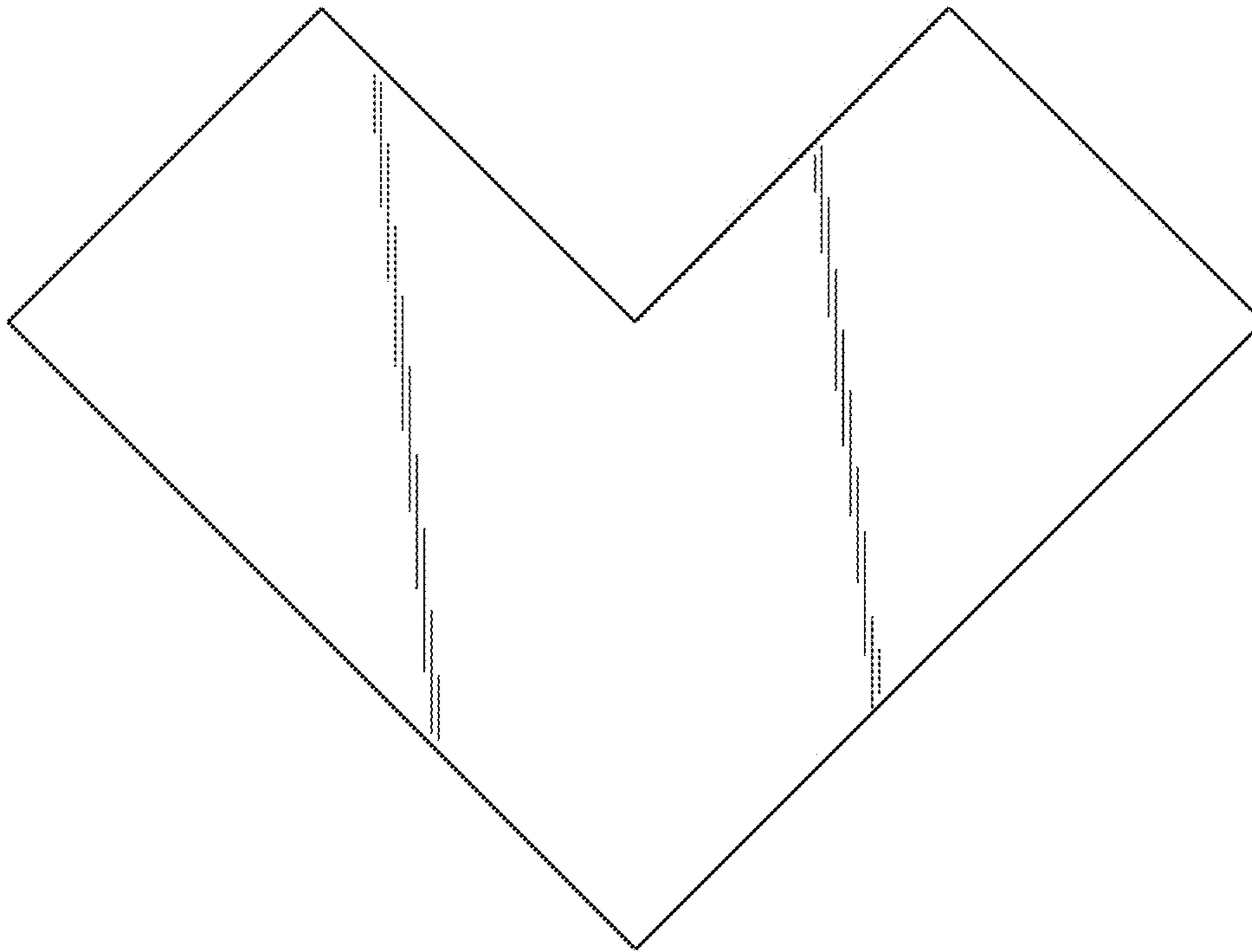
\* cited by examiner



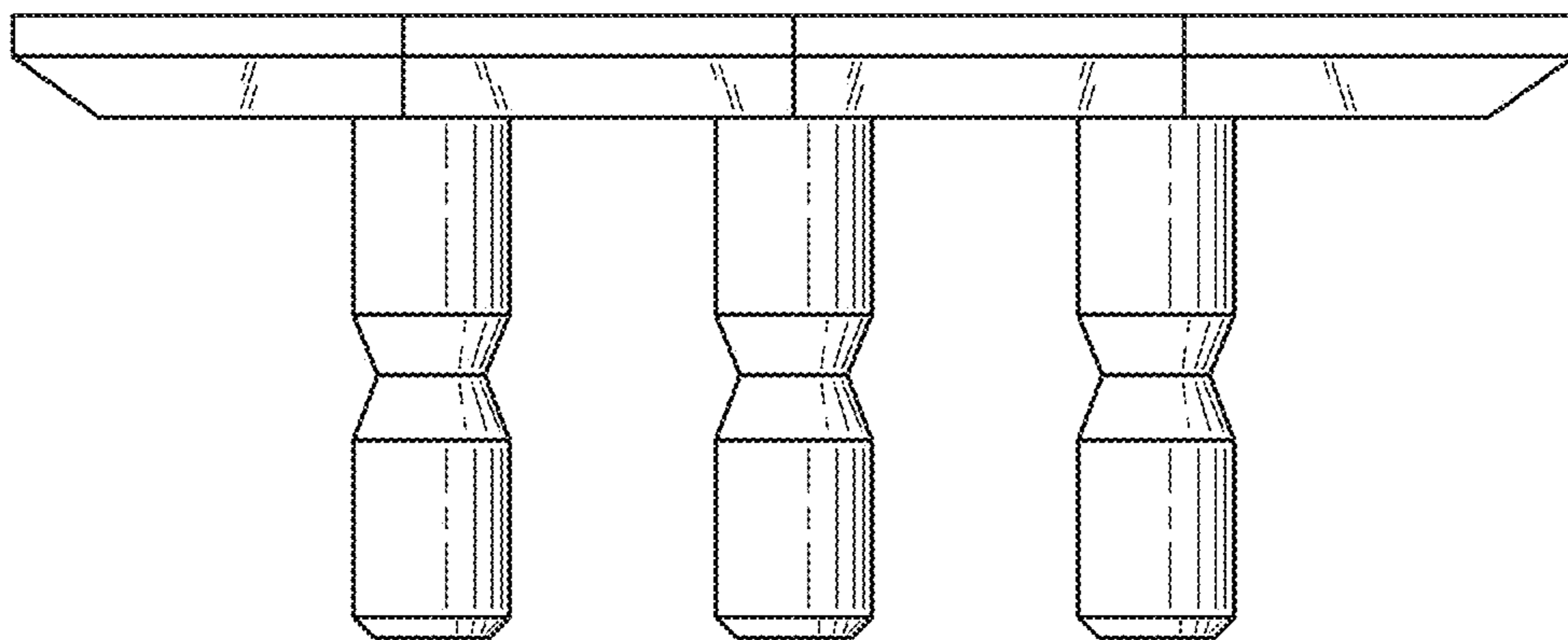
*Fig. 1*



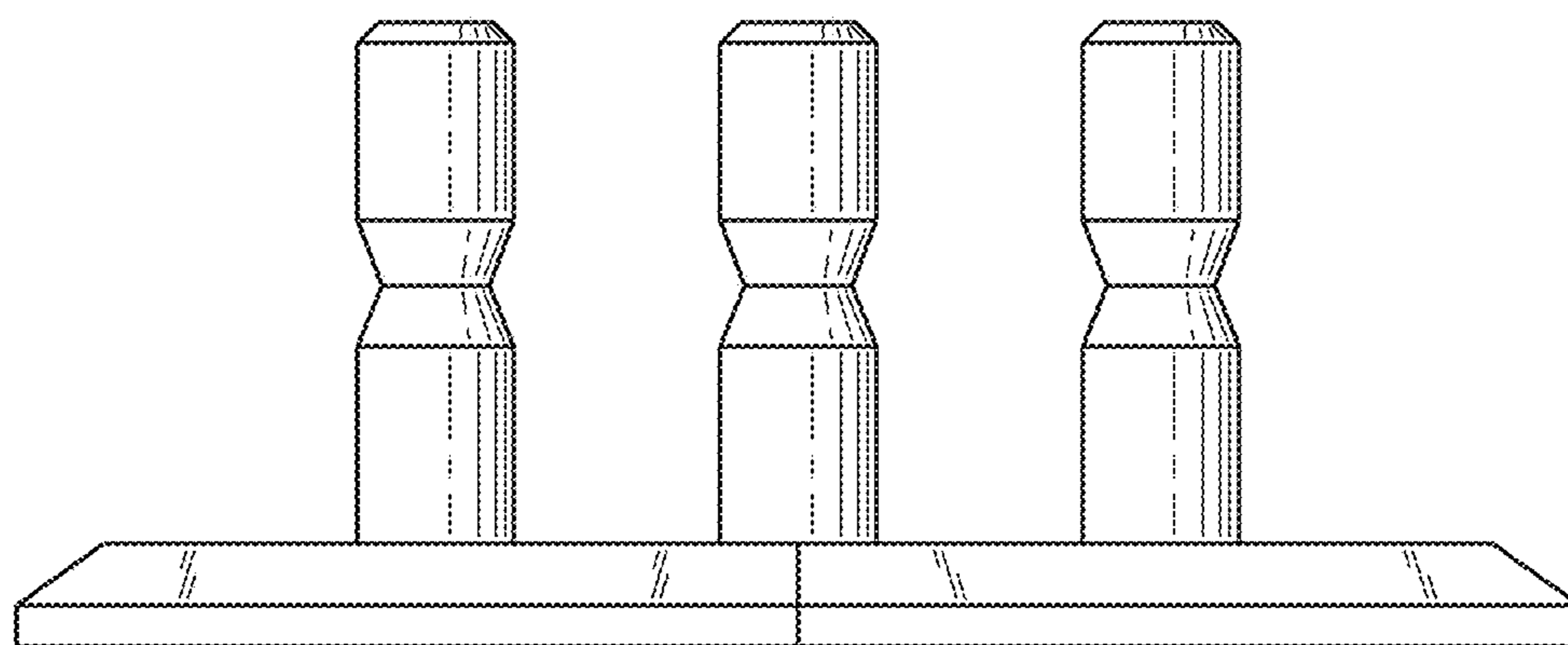
*Fig. 2*



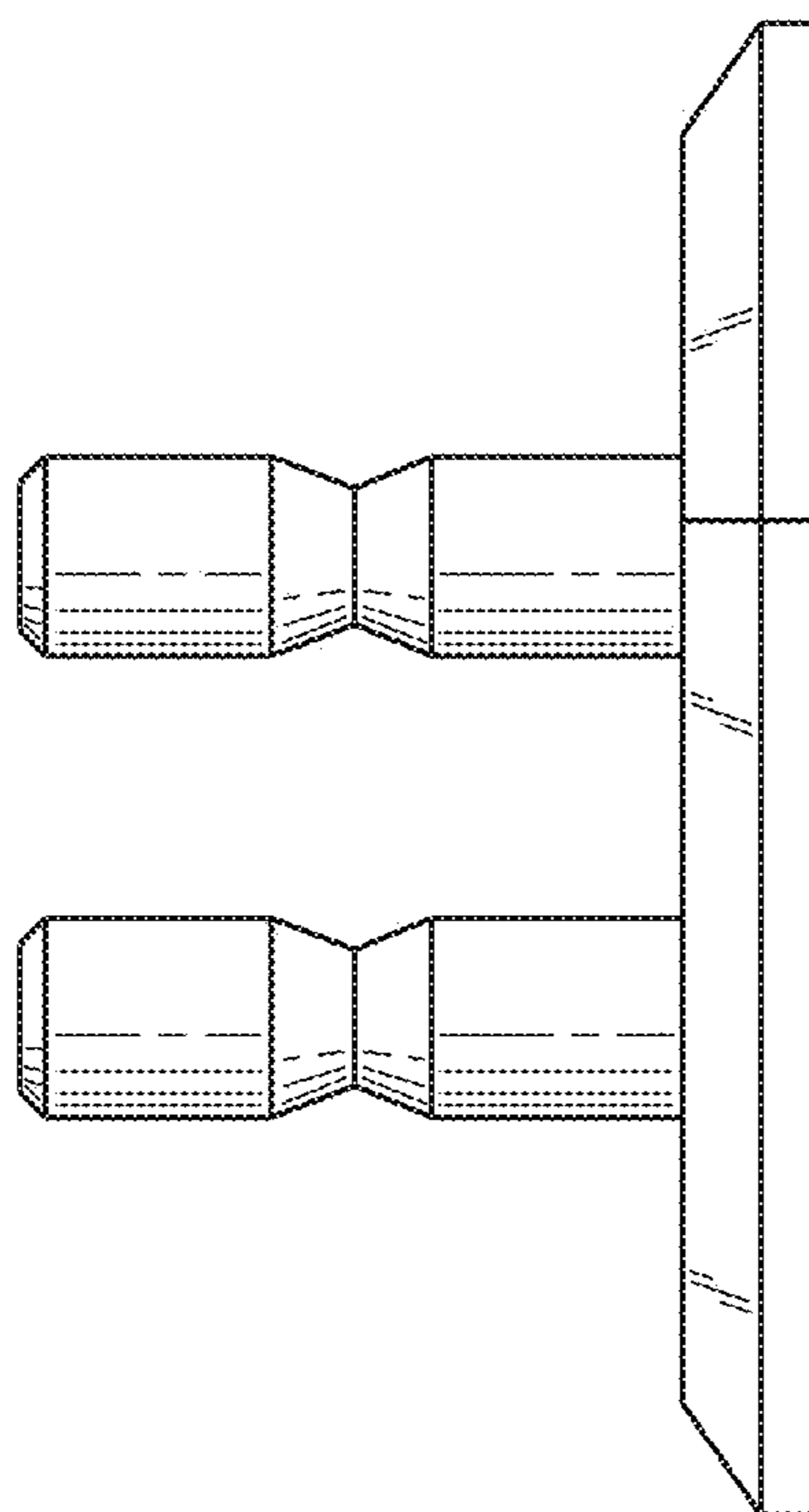
*Fig. 3*



*Fig. 4*



*Fig. 5*



*Fig. 6*

UNITED STATES PATENT AND TRADEMARK OFFICE  
**CERTIFICATE OF CORRECTION**

PATENT NO. : D759,470 S  
APPLICATION NO. : 29/486984  
DATED : June 21, 2016  
INVENTOR(S) : Angela Pan

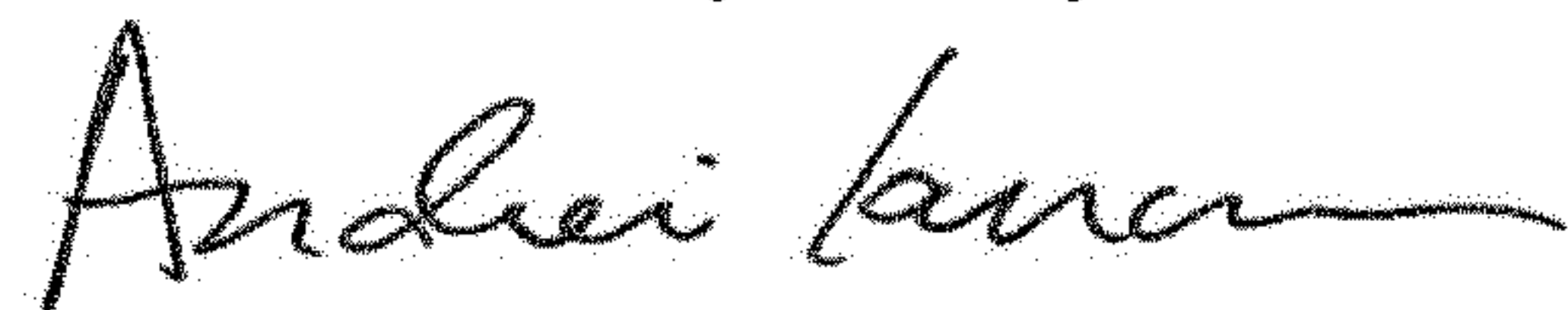
Page 1 of 1

It is certified that error appears in the above-identified patent and that said Letters Patent is hereby corrected as shown below:

Page 2, Column 2, (Foreign Patent Documents):

Line 3, delete "000098694-0016" and insert -- 000098694-0017 --, therefor.

Signed and Sealed this  
Second Day of July, 2019



Andrei Iancu  
*Director of the United States Patent and Trademark Office*