



US00D759469S

(12) **United States Design Patent**
Garland

(10) **Patent No.:** **US D759,469 S**

(45) **Date of Patent:** **** Jun. 21, 2016**

(54) **ROBE HOOK**

(71) Applicant: **Delta Faucet Company**, Indianapolis, IN (US)

(72) Inventor: **Celine Kwok Garland**, Zionsville, IN (US)

(73) Assignee: **DELTA FAUCET COMPANY**, Indianapolis, IN (US)

(**) Term: **15 Years**

(21) Appl. No.: **29/531,345**

(22) Filed: **Jun. 25, 2015**

(51) **LOC (10) Cl.** **08-05**

(52) **U.S. Cl.**
USPC **D8/367**

(58) **Field of Classification Search**
USPC D8/367, 354, 349; 248/301, 302, 303, 248/304, 339; 24/132 R; D6/325
CPC A47G 1/00
See application file for complete search history.

(56) **References Cited**

U.S. PATENT DOCUMENTS

D318,904 S * 8/1991 Hartkopf D23/252
7,717,387 B2 * 5/2010 Naheem B60M 5/00
238/14.4

D697,388 S * 1/2014 Pan D8/367
D700,828 S * 3/2014 Goodman D8/367
D720,986 S * 1/2015 Citterio D3/260
D746,664 S * 1/2016 Najieb D23/411

* cited by examiner

Primary Examiner — Cynthia Underwood

(74) *Attorney, Agent, or Firm* — Edgar A. Zarins; Nirav D. Parikh

(57) **CLAIM**

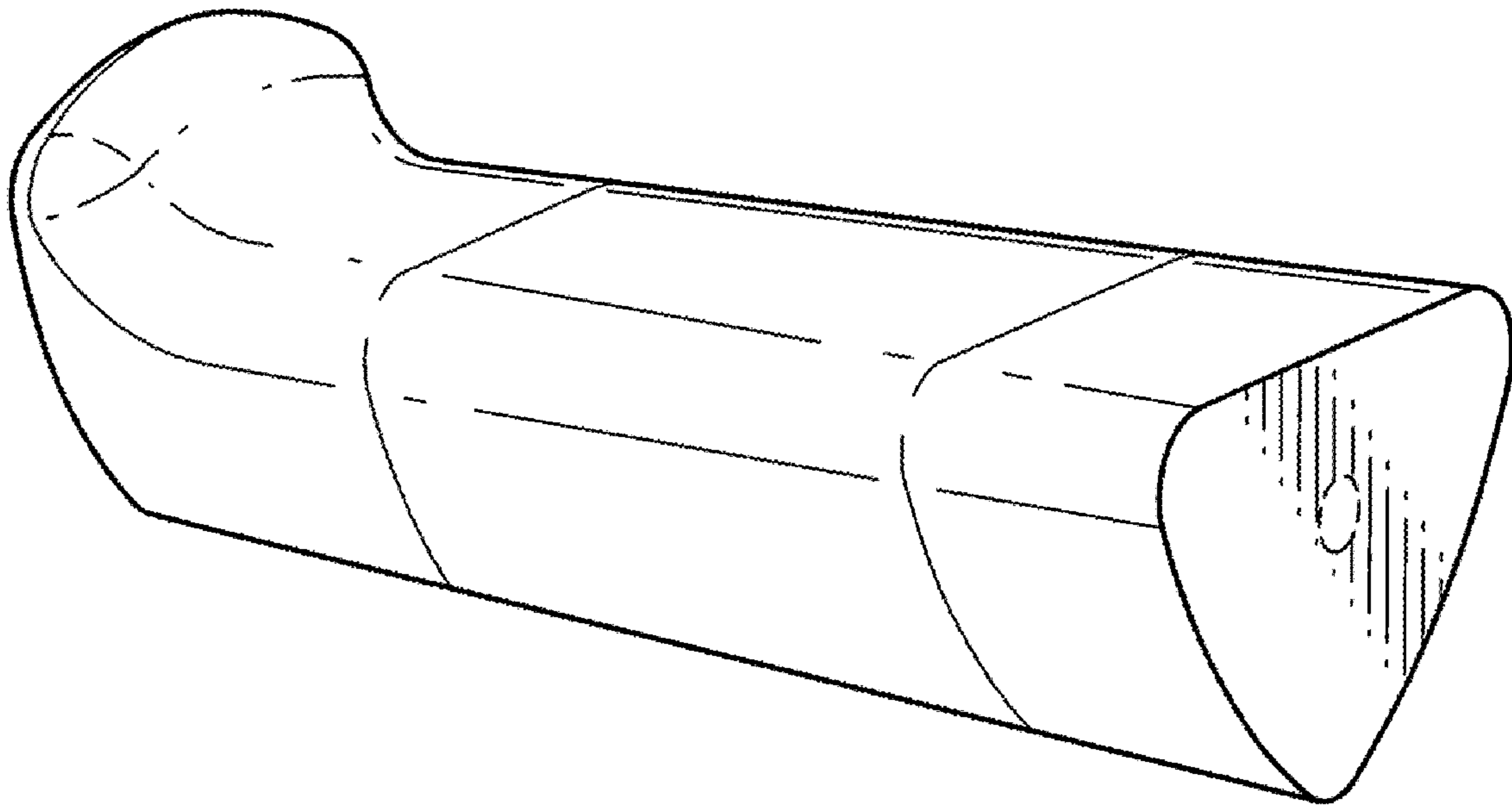
The ornamental design for a robe hook, as shown and described.

DESCRIPTION

FIG. 1 is a perspective view of a robe hook showing my new design;
FIG. 2 is a rear perspective view thereof;
FIG. 3 is a front end view thereof;
FIG. 4 is a rear view thereof;
FIG. 5 is a first side view thereof, the opposite side being a mirror image of the side shown;
FIG. 6 is a top plan view thereof; and,
FIG. 7 is a bottom view thereof.

The broken lines in the drawings depict environmental subject matter/or parts of the robe hook only and form no part of the claimed design.

1 Claim, 2 Drawing Sheets



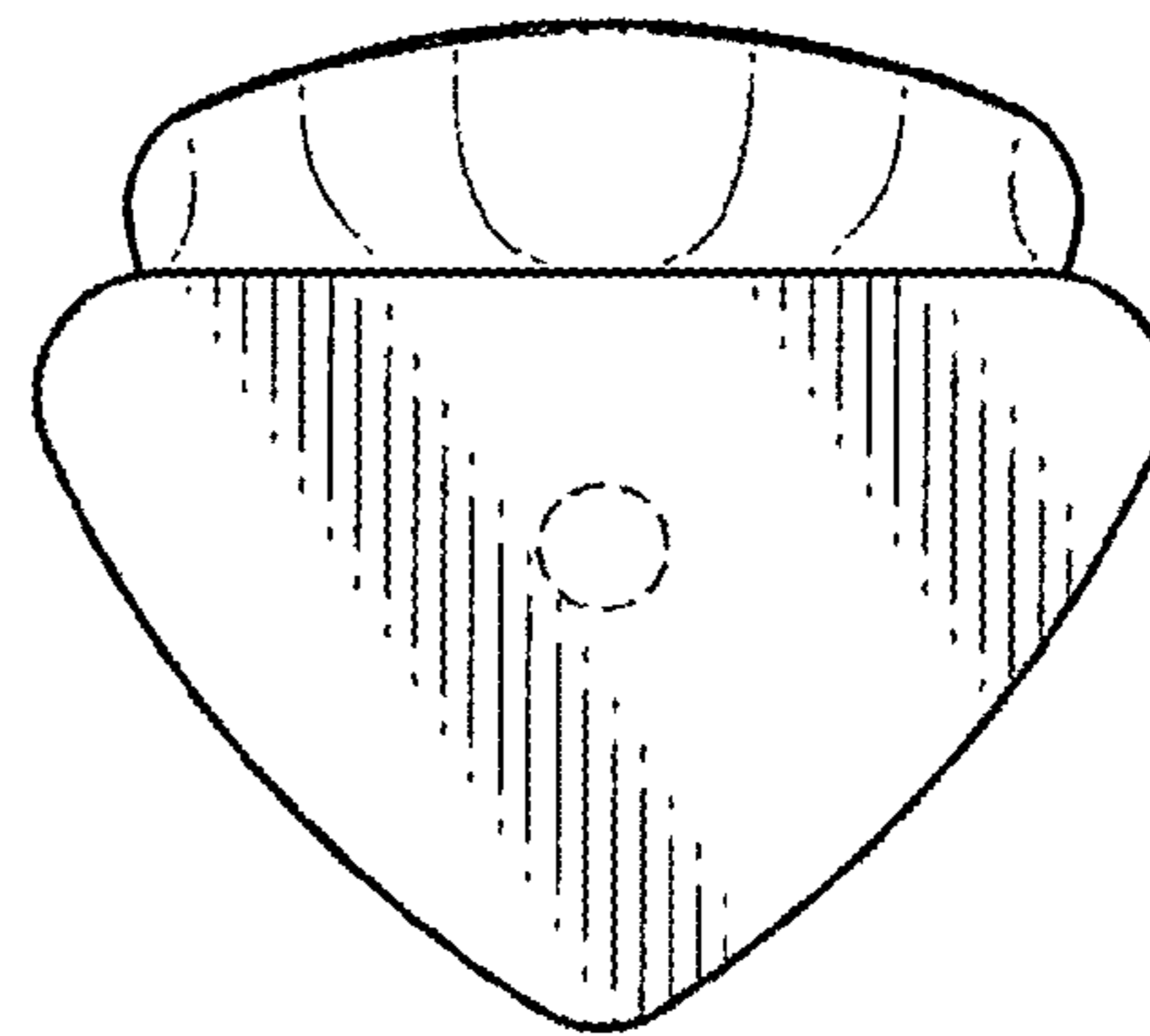
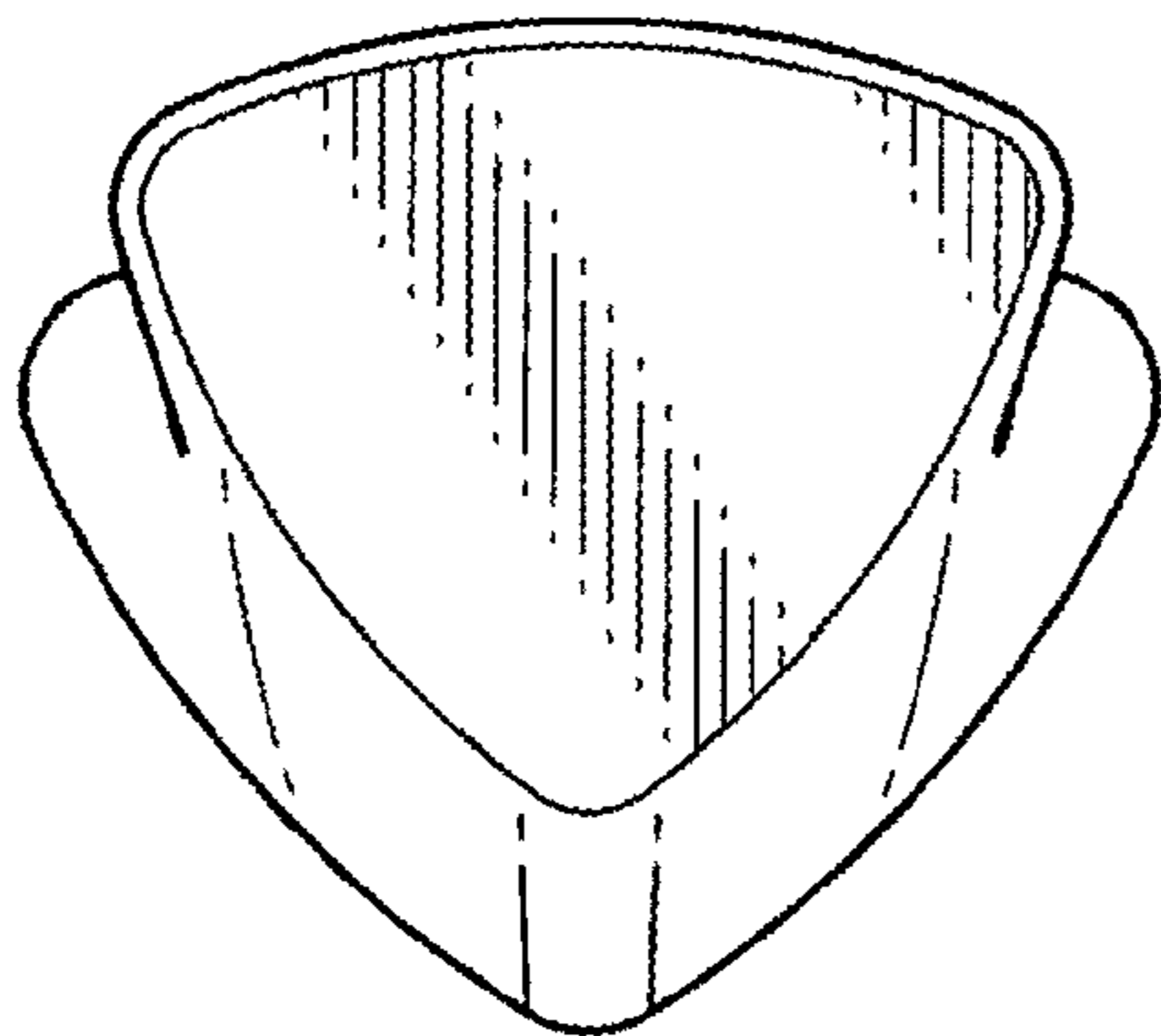
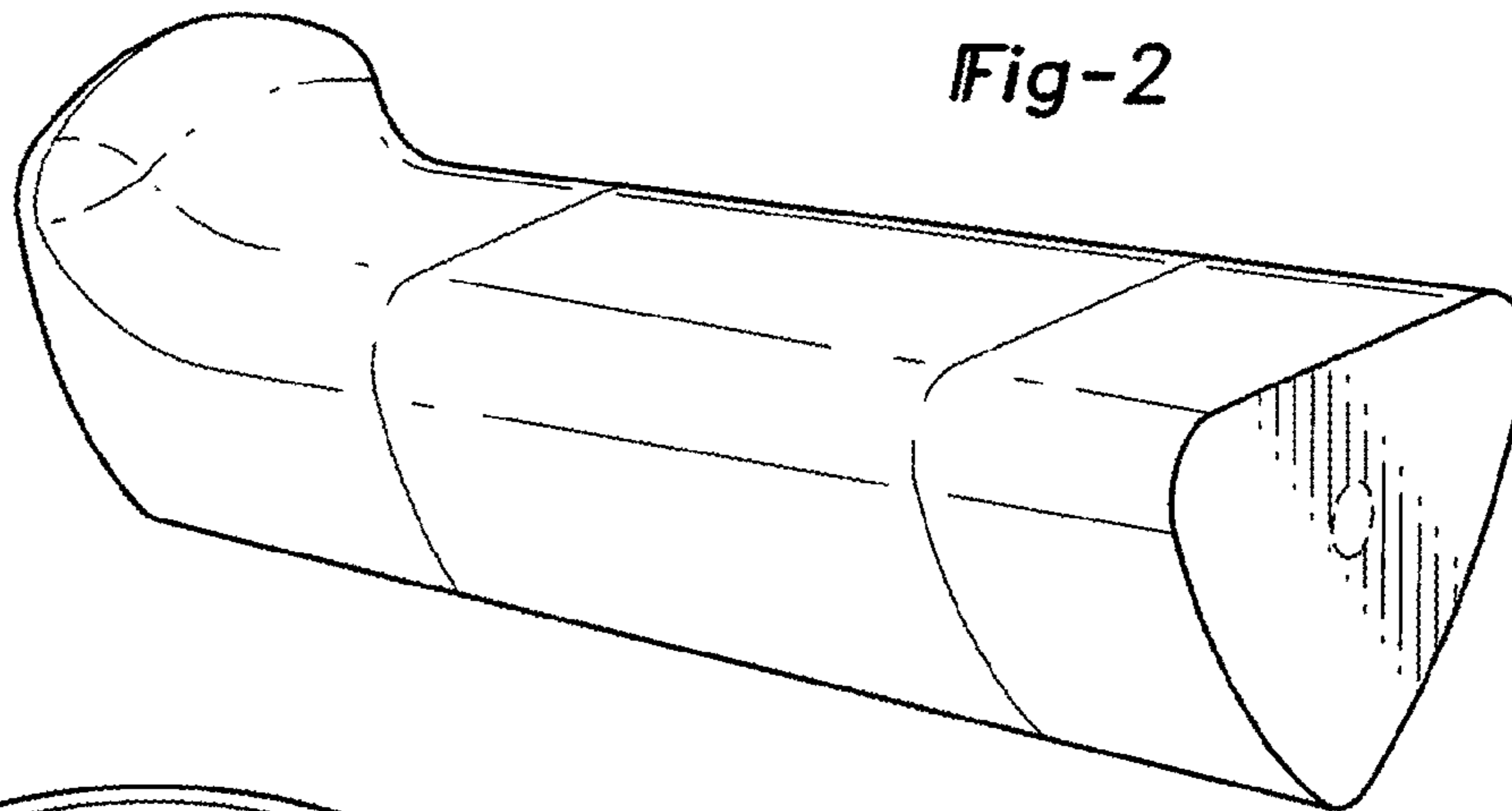
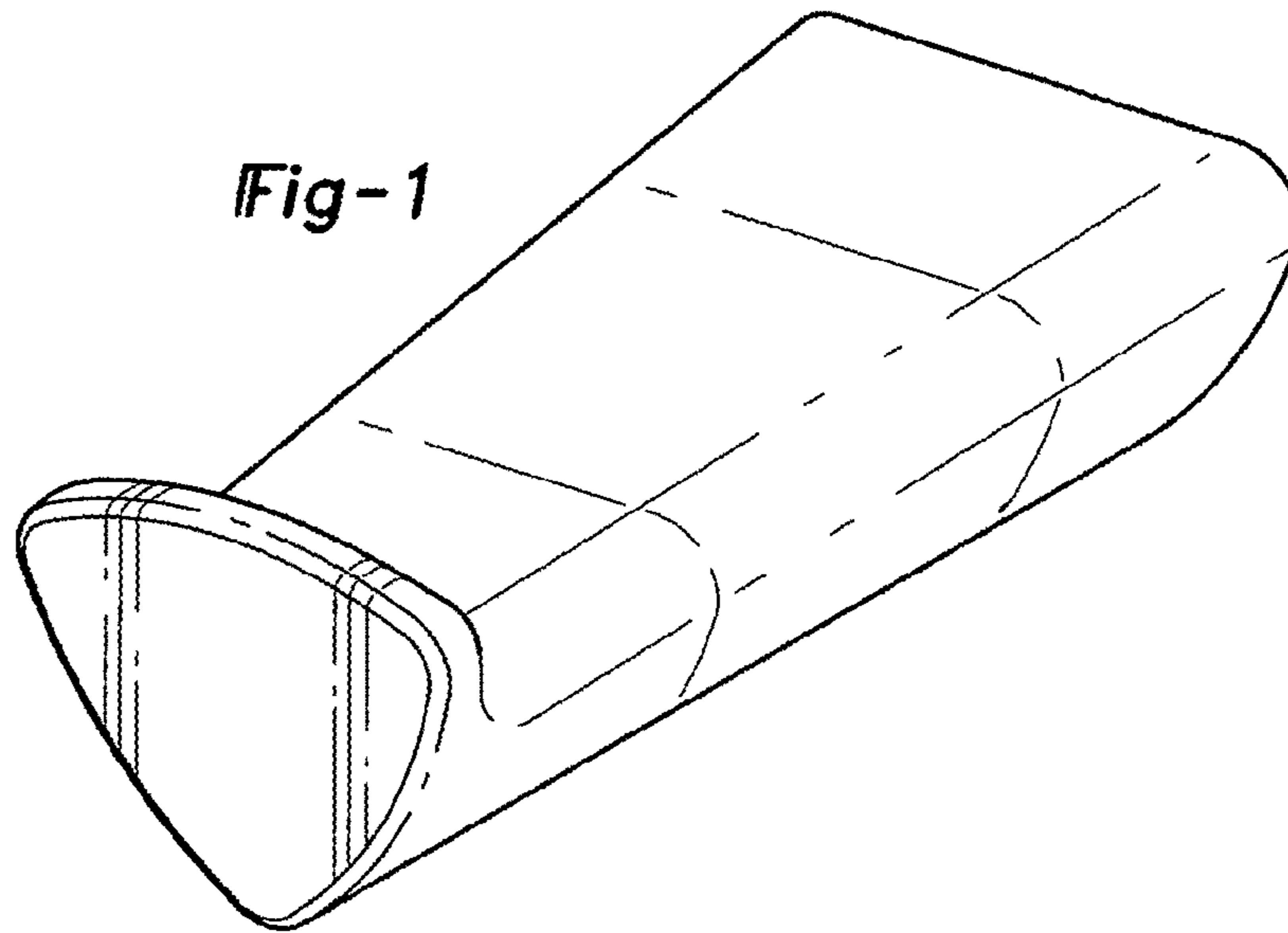


Fig-3

Fig-4

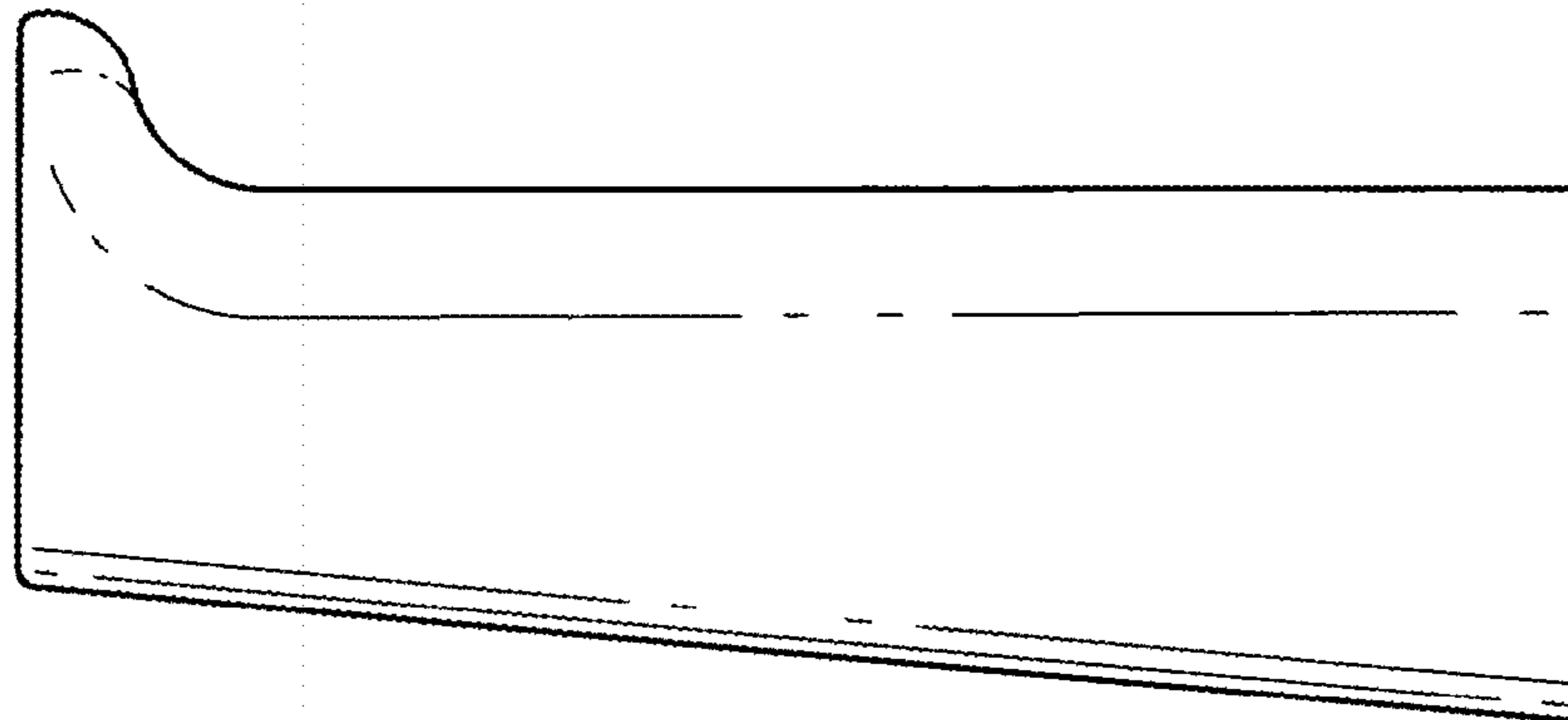


Fig-5

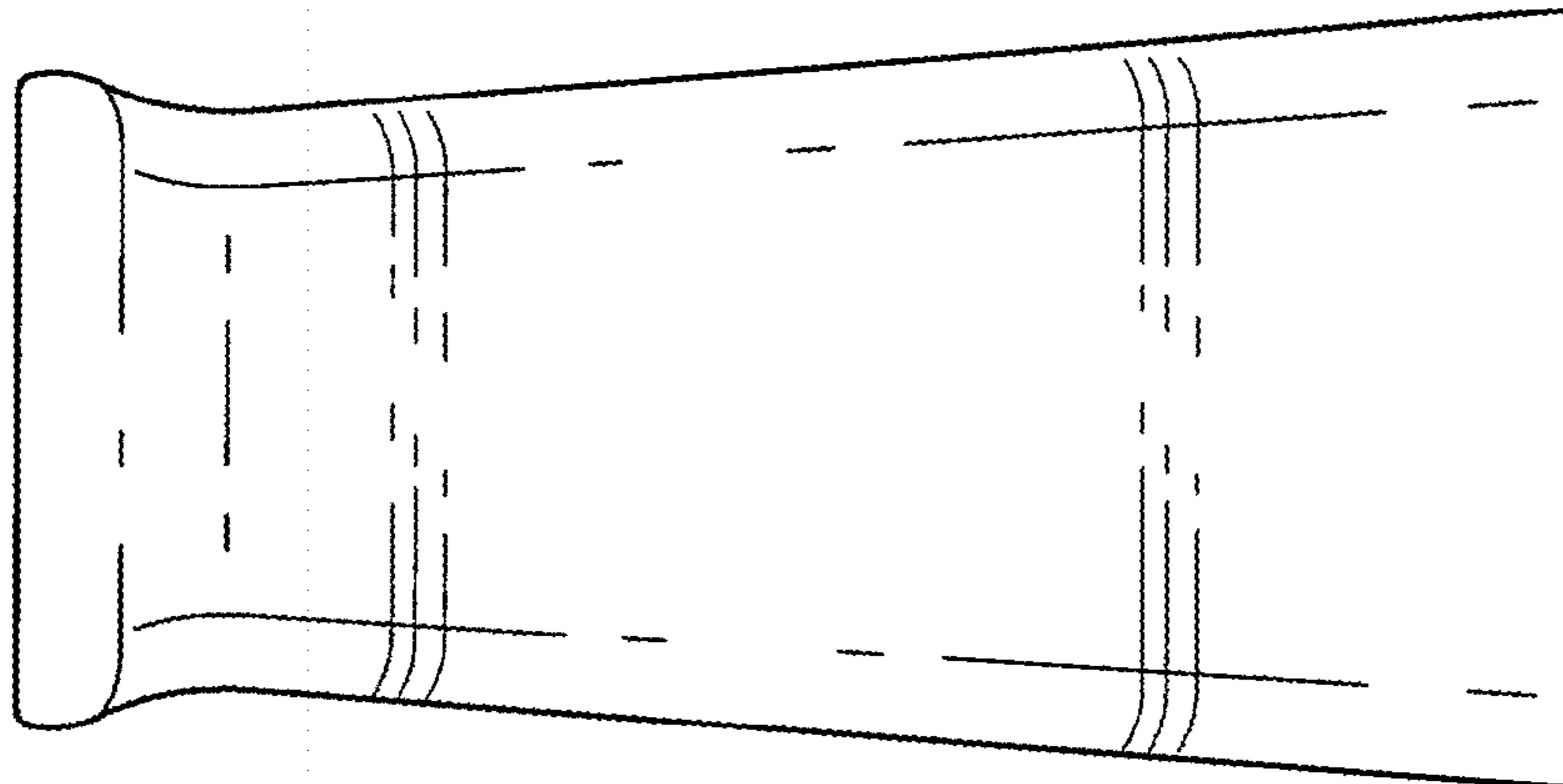


Fig-6

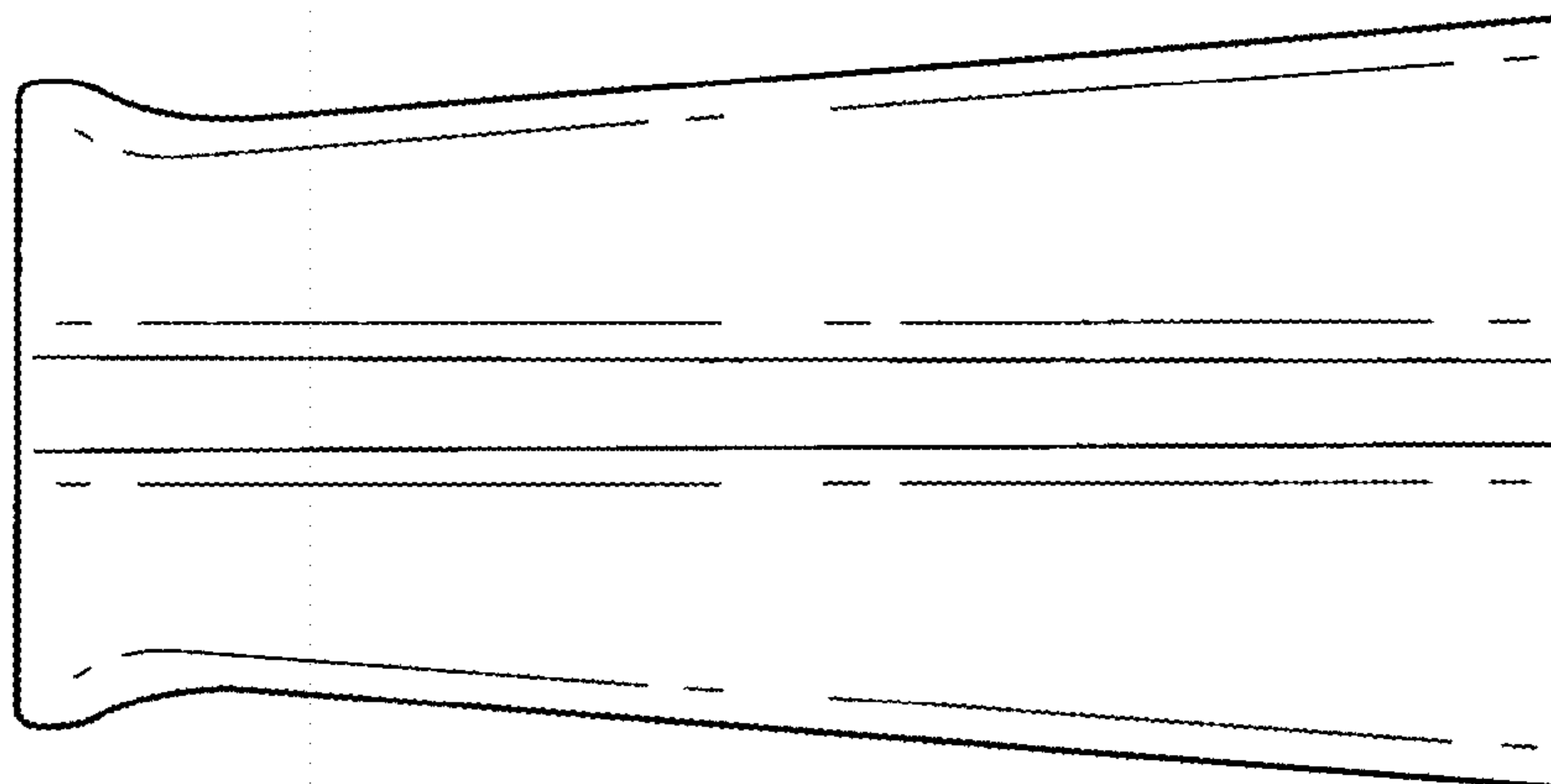


Fig-7