

US00D759467S

(12) **United States Design Patent**
Franta

(10) **Patent No.:** **US D759,467 S**

(45) **Date of Patent:** **** Jun. 21, 2016**

(54) **ROPE CLAMP**

(71) Applicant: **John E. Franta**, Grover Beach, CA (US)

(72) Inventor: **John E. Franta**, Grover Beach, CA (US)

(**) Term: **14 Years**

(21) Appl. No.: **29/517,057**

(22) Filed: **Feb. 9, 2015**

(51) **LOC (10) Cl.** **08-05**

(52) **U.S. Cl.**
USPC **D8/356**

(58) **Field of Classification Search**
USPC D8/356, 354, 349; D13/155
CPC F16G 1/00; F16G 11/00
See application file for complete search history.

(56) **References Cited**

U.S. PATENT DOCUMENTS

D463,260 S *	9/2002	Fields	D8/383
D572,099 S *	7/2008	Fontaine	D8/356
D572,572 S *	7/2008	Chang	D8/356
D644,501 S *	9/2011	Chen	D8/356
D691,875 S *	10/2013	Ganski	D8/356
D691,878 S *	10/2013	Ganski	D8/356
D698,226 S *	1/2014	Chance	D13/156
D698,227 S *	1/2014	Houser	D13/156

D698,228 S *	1/2014	Chance	D13/156
D698,229 S *	1/2014	Chance	D13/156
D722,487 S *	2/2015	Miller	D8/356
D732,934 S *	6/2015	Egami	D8/356
D732,935 S *	6/2015	Egami	D8/356
D739,212 S *	9/2015	Miller	D8/356
D748,158 S *	1/2016	Ng	D15/66

* cited by examiner

Primary Examiner — Cynthia Underwood

(74) *Attorney, Agent, or Firm* — Ronald R. Kilponen

(57) **CLAIM**

I claim the ornamental design for the rope clamp, as shown and described.

DESCRIPTION

FIG. 1 is a top view of the rope clamp showing the new design:

FIG. 2 is a bottom view thereof;

FIG. 3 is a left side view with thereof;

FIG. 4 is a right side view thereof;

FIG. 5 is an end view thereof;

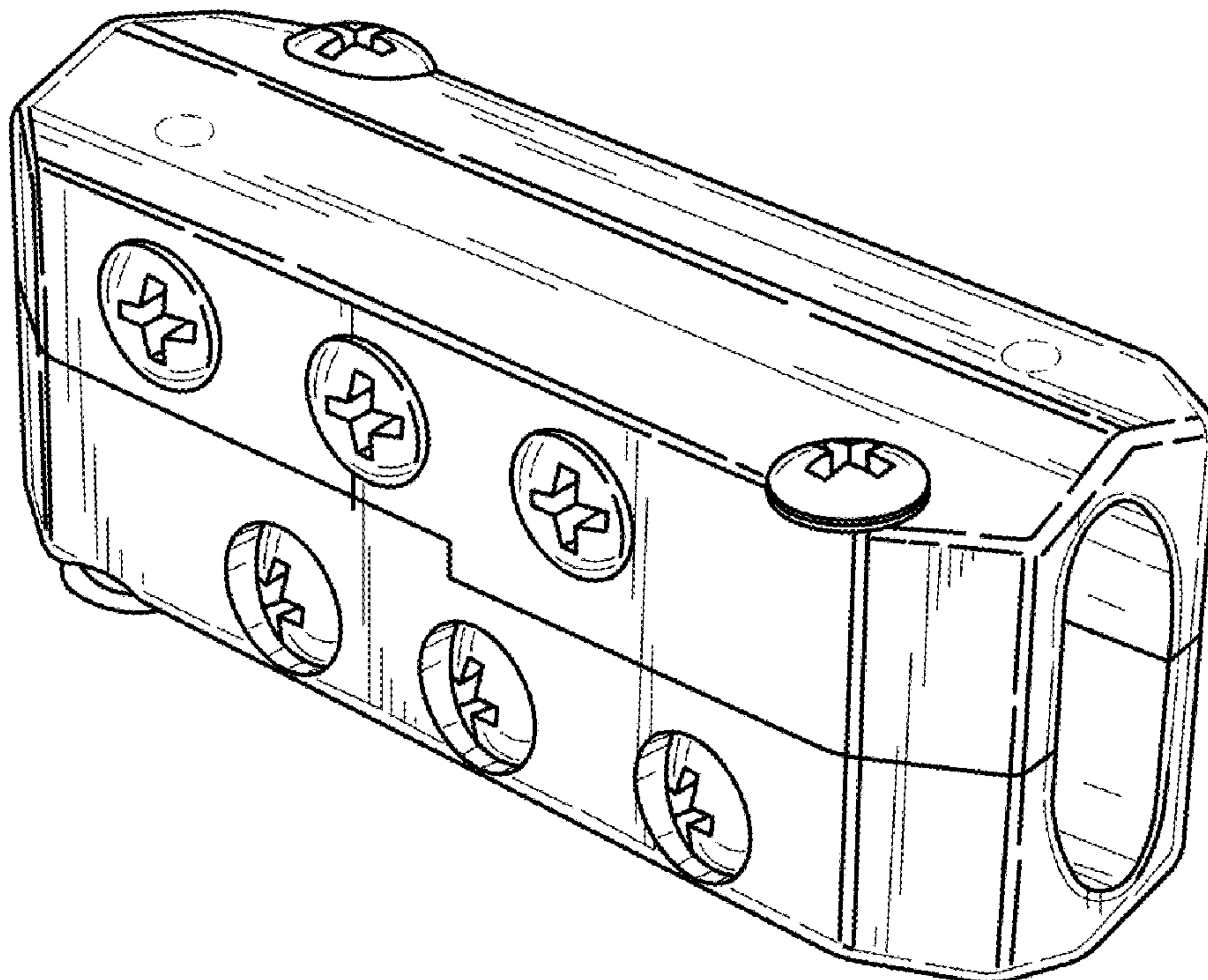
FIG. 6 is an opposite end view thereof;

FIG. 7 is a top perspective view thereof; and,

FIG. 8 is a cutaway view along 8-8 of FIG. 1.

The broken lines represent portions of the invention that form no part of the claim.

1 Claim, 4 Drawing Sheets



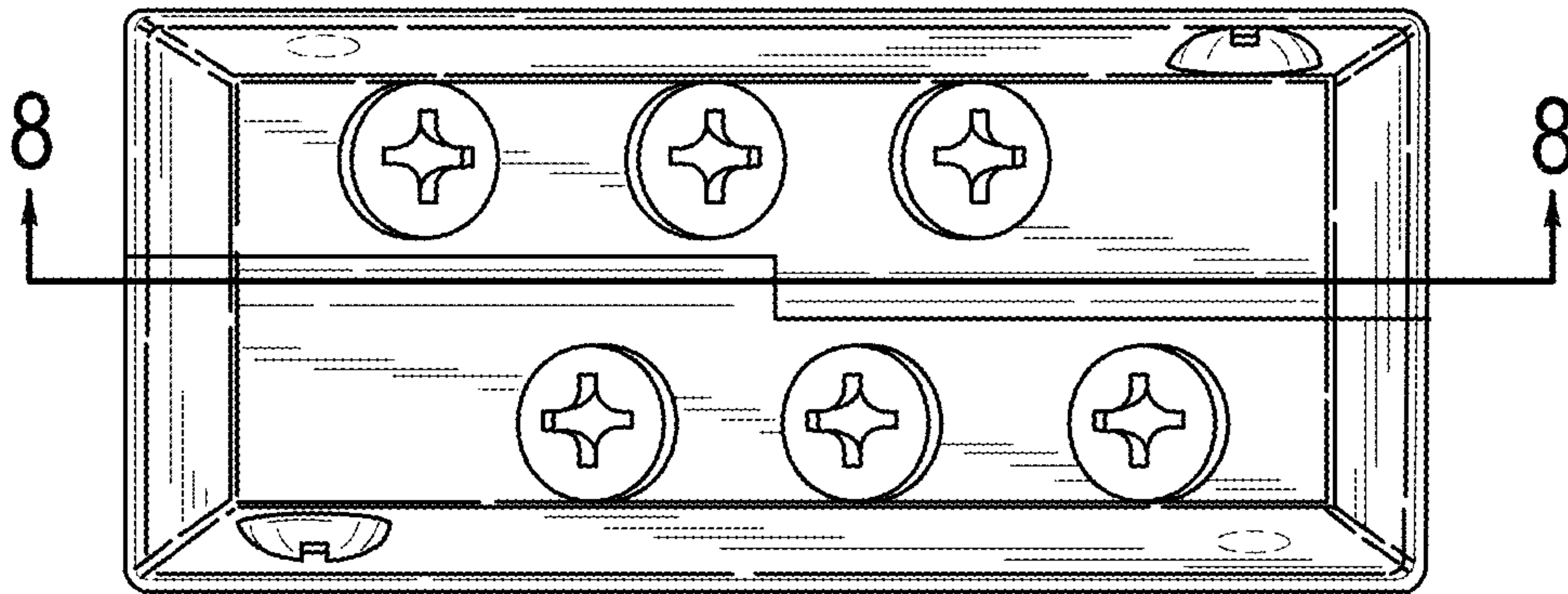


FIG.1

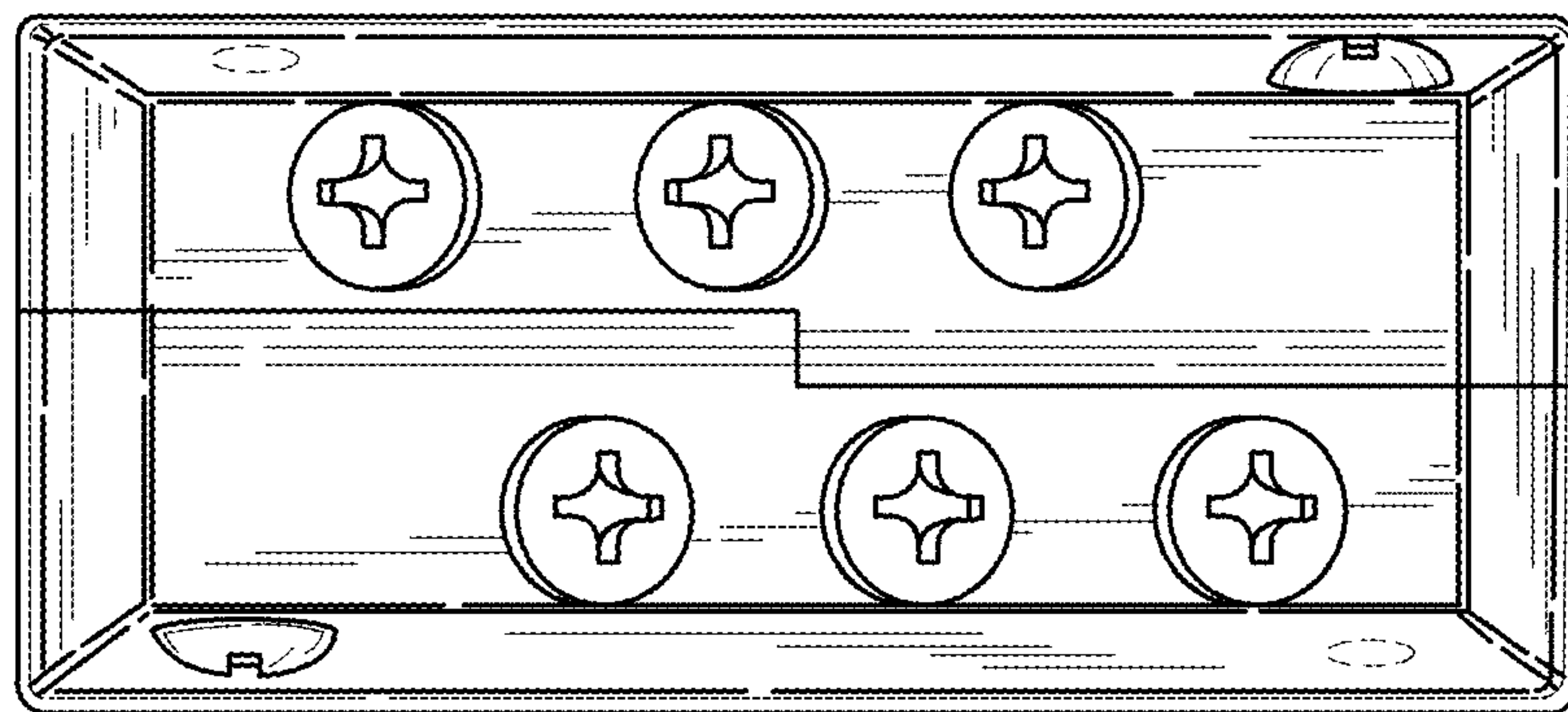


FIG.2

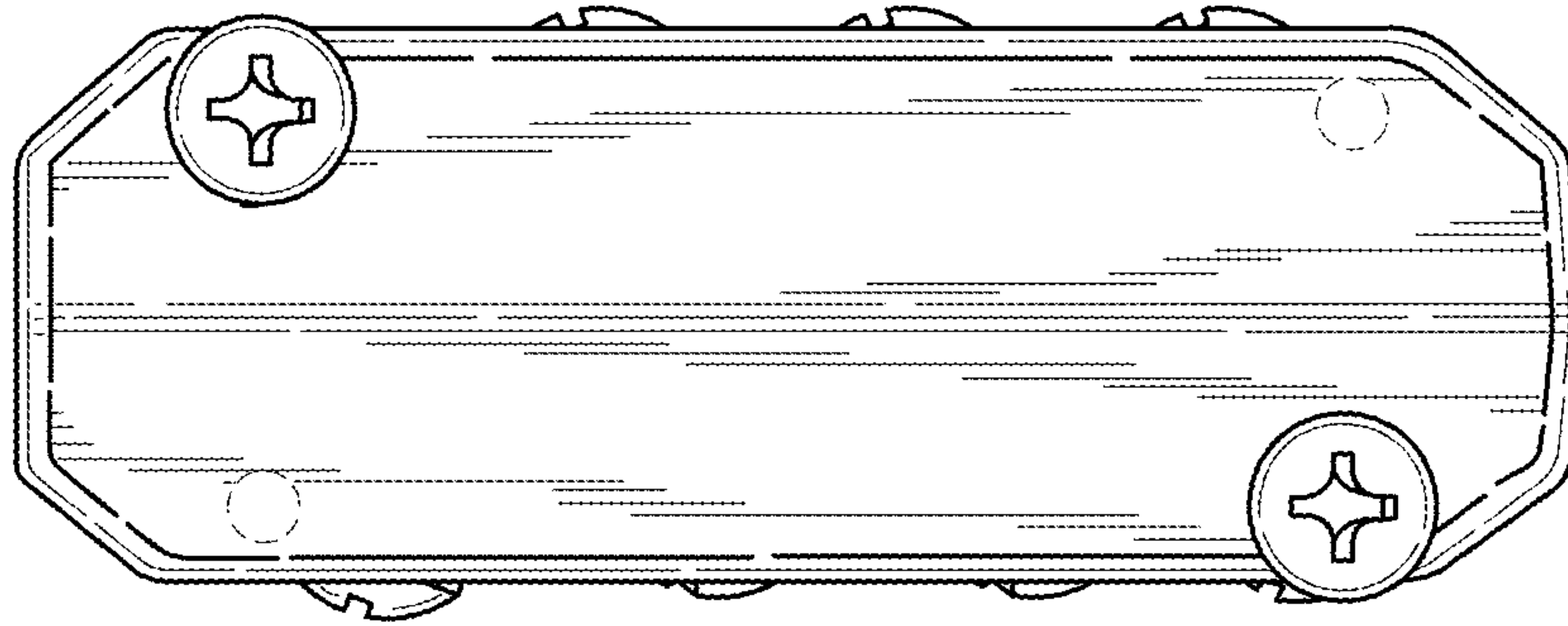


FIG.3

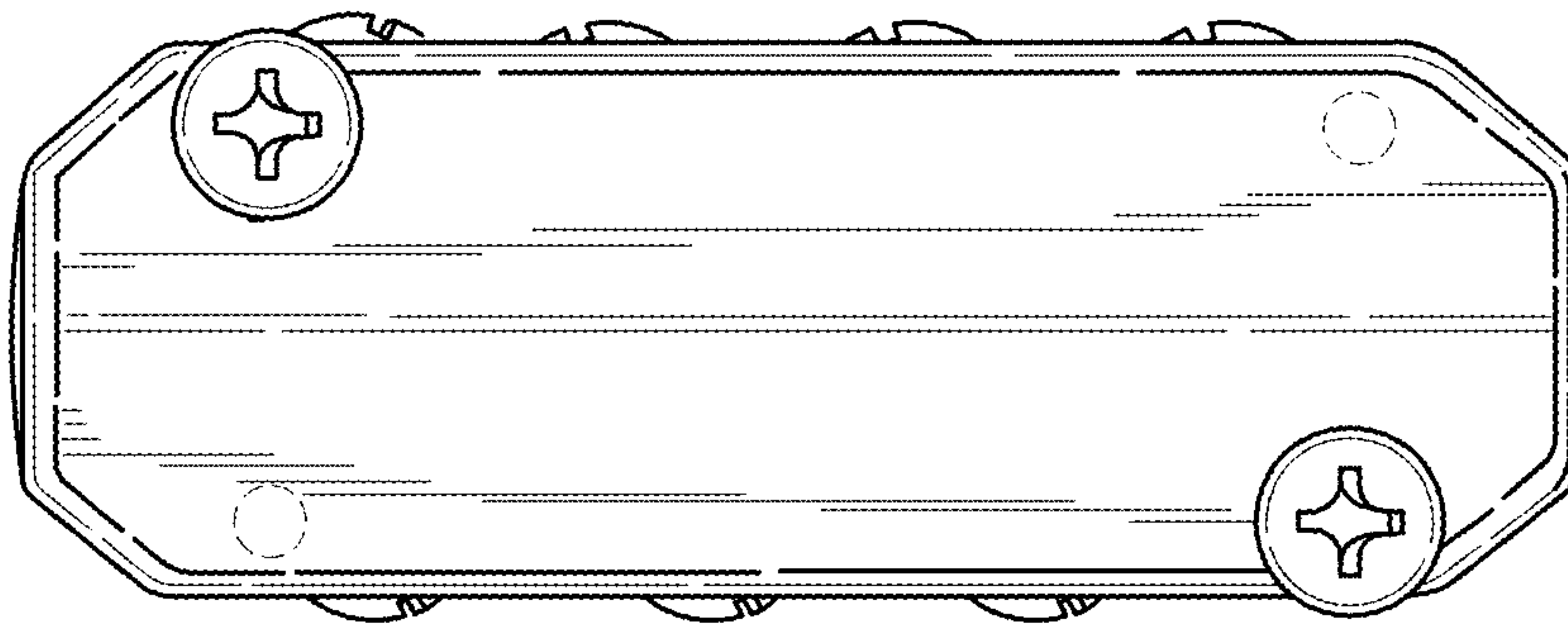


FIG.4

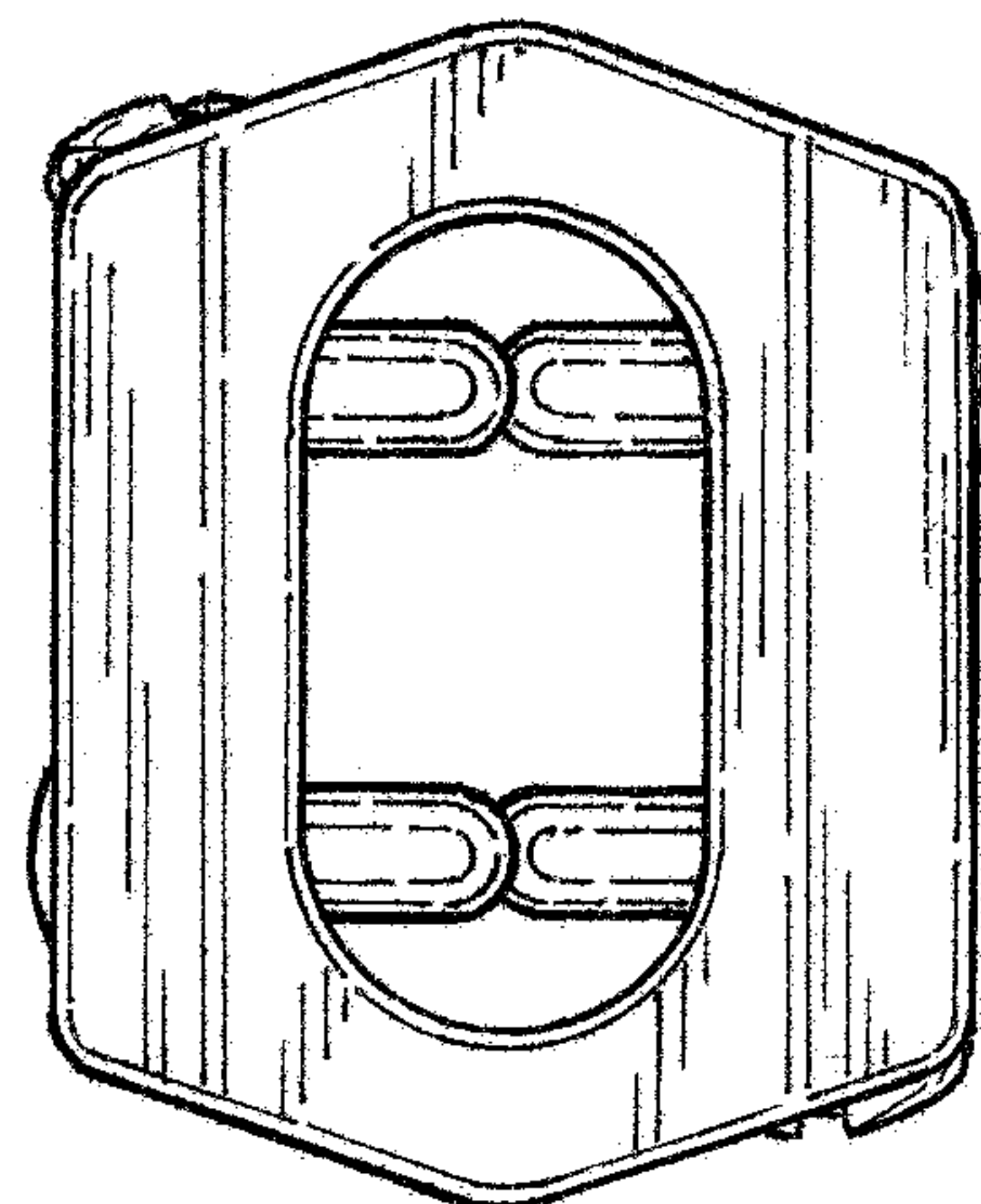


FIG.5

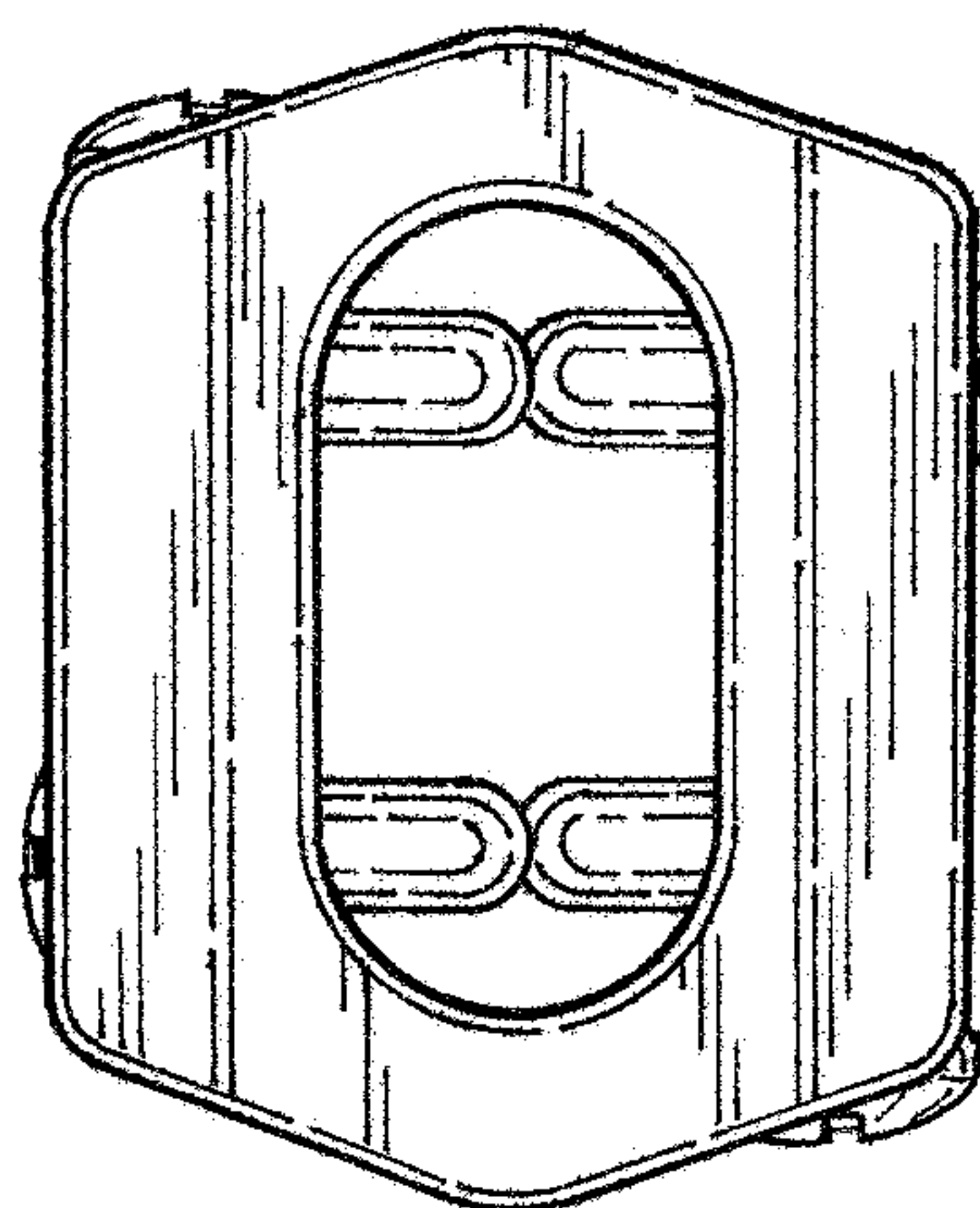


FIG.6

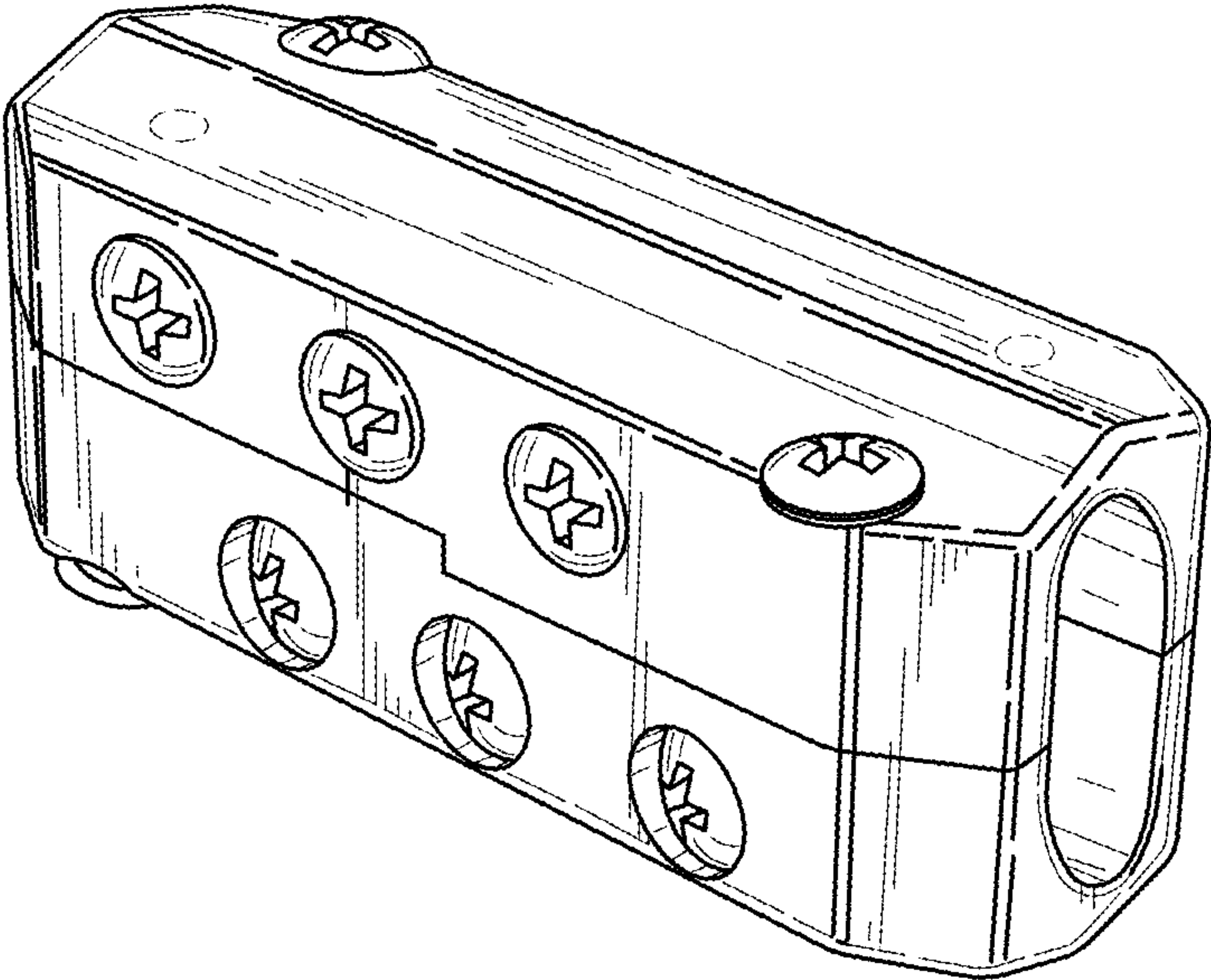


FIG. 7

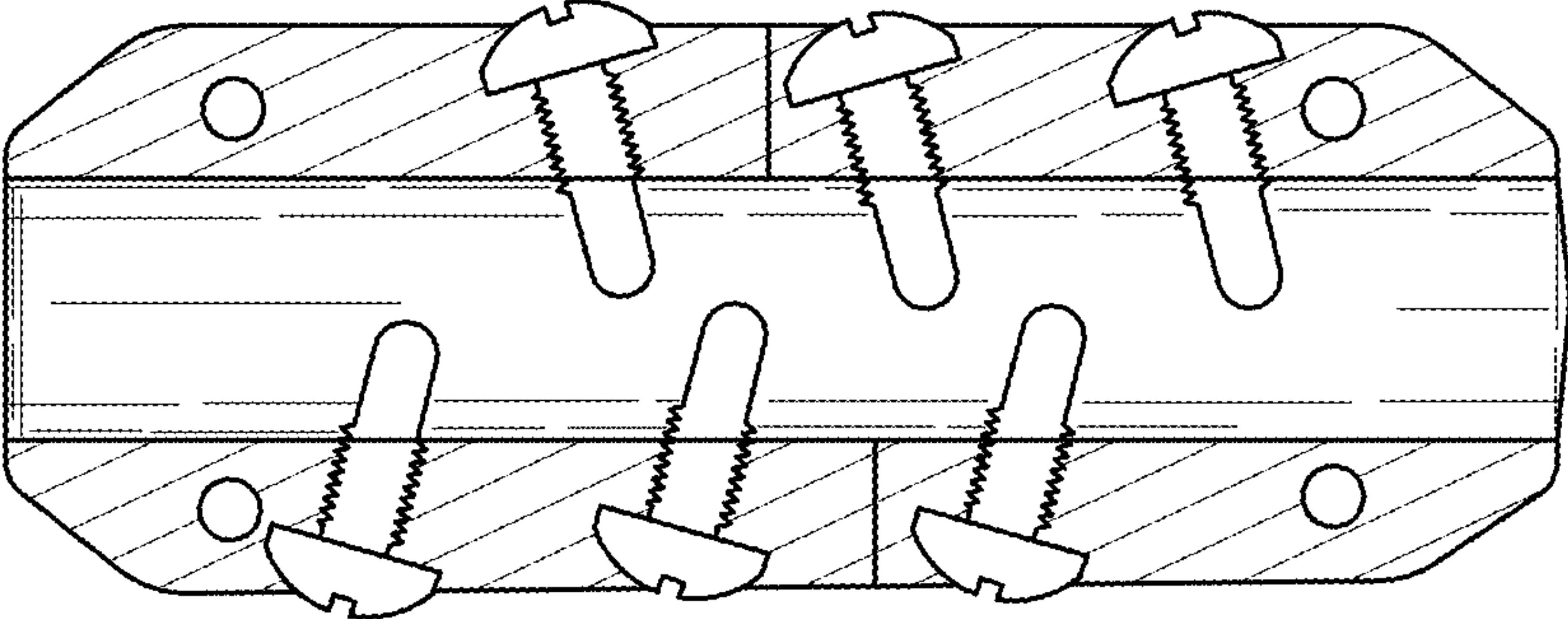


FIG. 8