



US00D759466S

(12) **United States Design Patent**
Tonthat et al.

(10) **Patent No.:** **US D759,466 S**
(45) **Date of Patent:** **** Jun. 21, 2016**

- (54) **BRACKET**
- (71) Applicant: **Innovation First, Inc.**, Greenville, TX (US)
- (72) Inventors: **Hoainam James Tonthat**, Greenville, TX (US); **Robert H. Mimplitch, III**, Rowlett, TX (US); **Juan Carlos Valles**, Forney, TX (US); **James Whitney Wilson**, Nevada, TX (US)
- (73) Assignee: **Innovation First, Inc.**, Greenville, TX (US)
- (**) Term: **14 Years**
- (21) Appl. No.: **29/526,515**
- (22) Filed: **May 11, 2015**

5,833,337	A	11/1998	Kofstad	
D430,479	S	9/2000	McDonald	
D436,837	S *	1/2001	Beal	D8/363
6,209,979	B1 *	4/2001	Fall	A47B 88/0422 312/319.1
6,655,534	B2	12/2003	Williams et al.	
6,948,691	B2 *	9/2005	Brock	A47B 88/044 211/175
6,962,397	B2	11/2005	Dobler et al.	
7,012,808	B2	3/2006	Mayer	
7,036,787	B1	5/2006	Lin	
7,281,694	B2	10/2007	Allen et al.	
7,284,672	B2	10/2007	Tsai	
7,494,101	B2	2/2009	Chen	
7,740,329	B2	6/2010	Hsiung et al.	
7,780,253	B1	8/2010	Lu	
D638,687	S	5/2011	Minkley et al.	
7,950,753	B2	5/2011	Liang	
8,033,621	B2	10/2011	Liang	
8,079,654	B2	12/2011	Yu et al.	

(Continued)

Primary Examiner — Elizabeth A Albert

(74) *Attorney, Agent, or Firm* — Adam K. Sacharoff; Much Shelist

Related U.S. Application Data

- (62) Division of application No. 29/468,076, filed on Sep. 26, 2013, now Pat. No. Des. 733,531.
- (51) **LOC (10) Cl.** **08-05**
- (52) **U.S. Cl.**
USPC **D8/354**
- (58) **Field of Classification Search**
USPC D8/349, 354–356, 363–367, 370–373,
D8/380, 382, 384, 381; D25/199; 248/215,
248/465.1, 112, 153, 175, 218.1, 218.2,
248/302, 303
CPC A47B 96/06; A47B 96/062; A47B 96/063;
A47B 96/066; A47B 96/067; A47B 96/068
See application file for complete search history.

(57) **CLAIM**

The ornamental design for a bracket, as shown and described.

DESCRIPTION

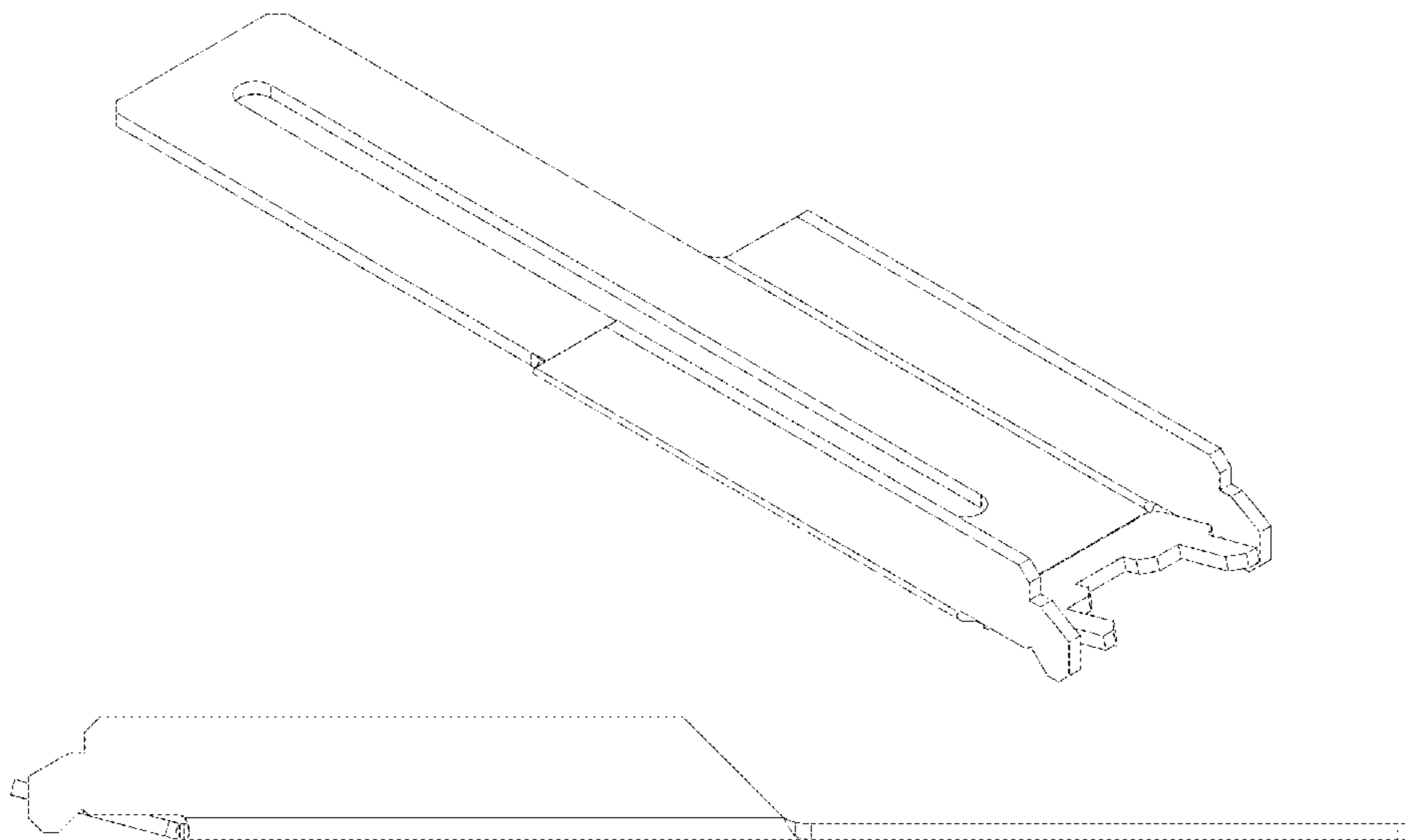
FIG. 1 is a top rear perspective showing a bracket showing our new design;
 FIG. 2 is a bottom rear perspective view of FIG. 1;
 FIG. 3 is a left side elevation view of FIG. 1;
 FIG. 4 is a right side elevation view of FIG. 1;
 FIG. 5 is a rear elevation view of FIG. 1; and
 FIG. 6 is front rear elevation view of FIG. 1.
 FIG. 7 is a top plan view of FIG. 1; and,
 FIG. 8 is a bottom plan view of FIG. 1.

1 Claim, 8 Drawing Sheets

(56) **References Cited**

U.S. PATENT DOCUMENTS

- 3,133,768 A 5/1964 Klakovich
- 4,919,557 A 4/1990 Podosek



(56)

References Cited

U.S. PATENT DOCUMENTS

8,083,298 B2 12/2011 Henderson et al.
8,292,382 B2 10/2012 Cheng
8,353,494 B2 1/2013 Peng et al.
8,356,718 B2 1/2013 Yang
D676,264 S 2/2013 Lee
8,403,433 B2 * 3/2013 Chen A47B 88/04
312/333

2001/0040203 A1 11/2001 Brock et al.
2003/0141264 A1 7/2003 Kaminski
2003/0205539 A1 11/2003 Lauchner et al.
2003/0234332 A1 12/2003 Yen et al.
2004/0108289 A1 6/2004 Chen et al.
2004/0239221 A1 * 12/2004 Yang A47B 88/04
312/334.46
2008/0036347 A1 2/2008 Liang

* cited by examiner

FIGURE 1

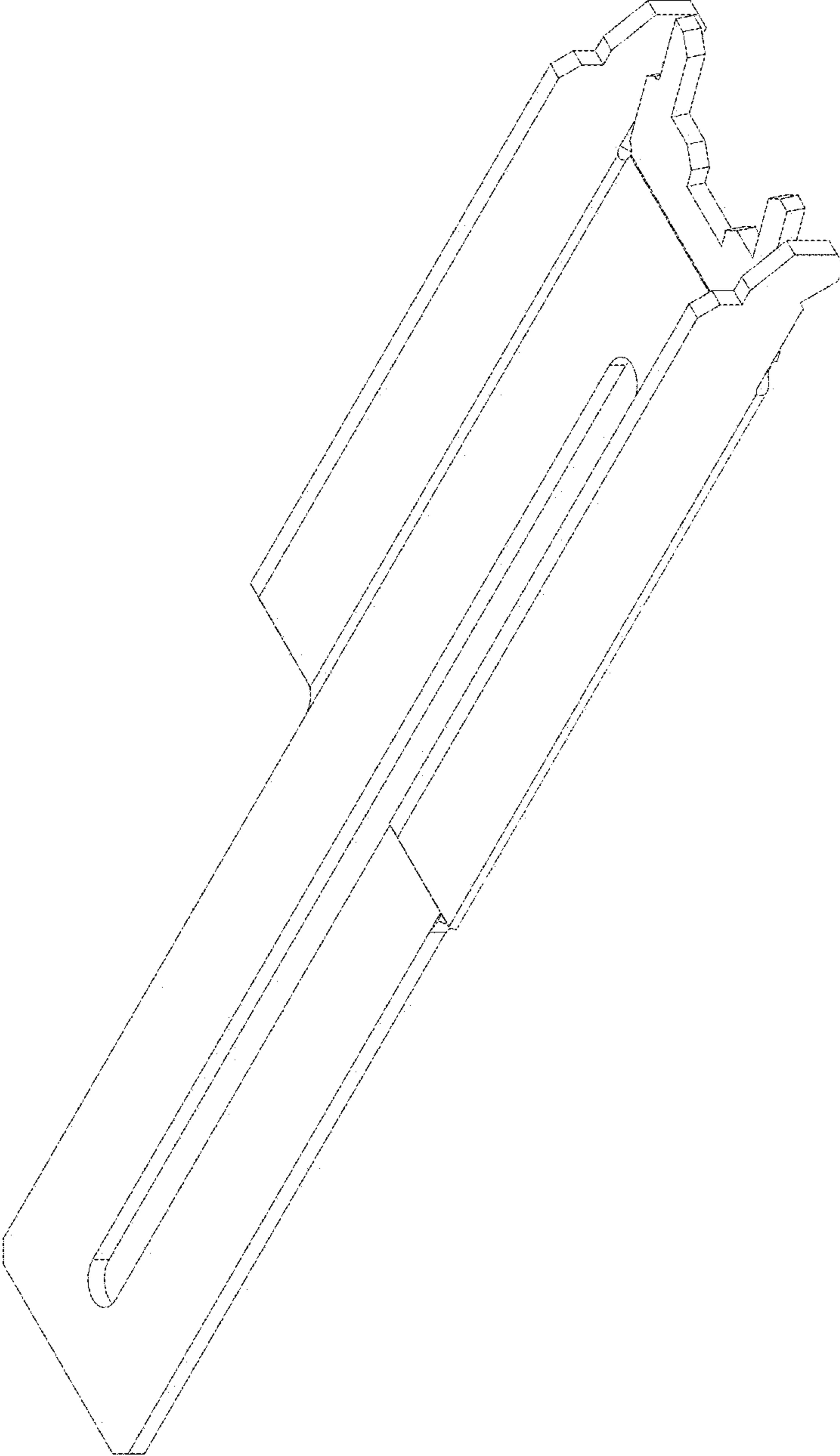


FIGURE 2

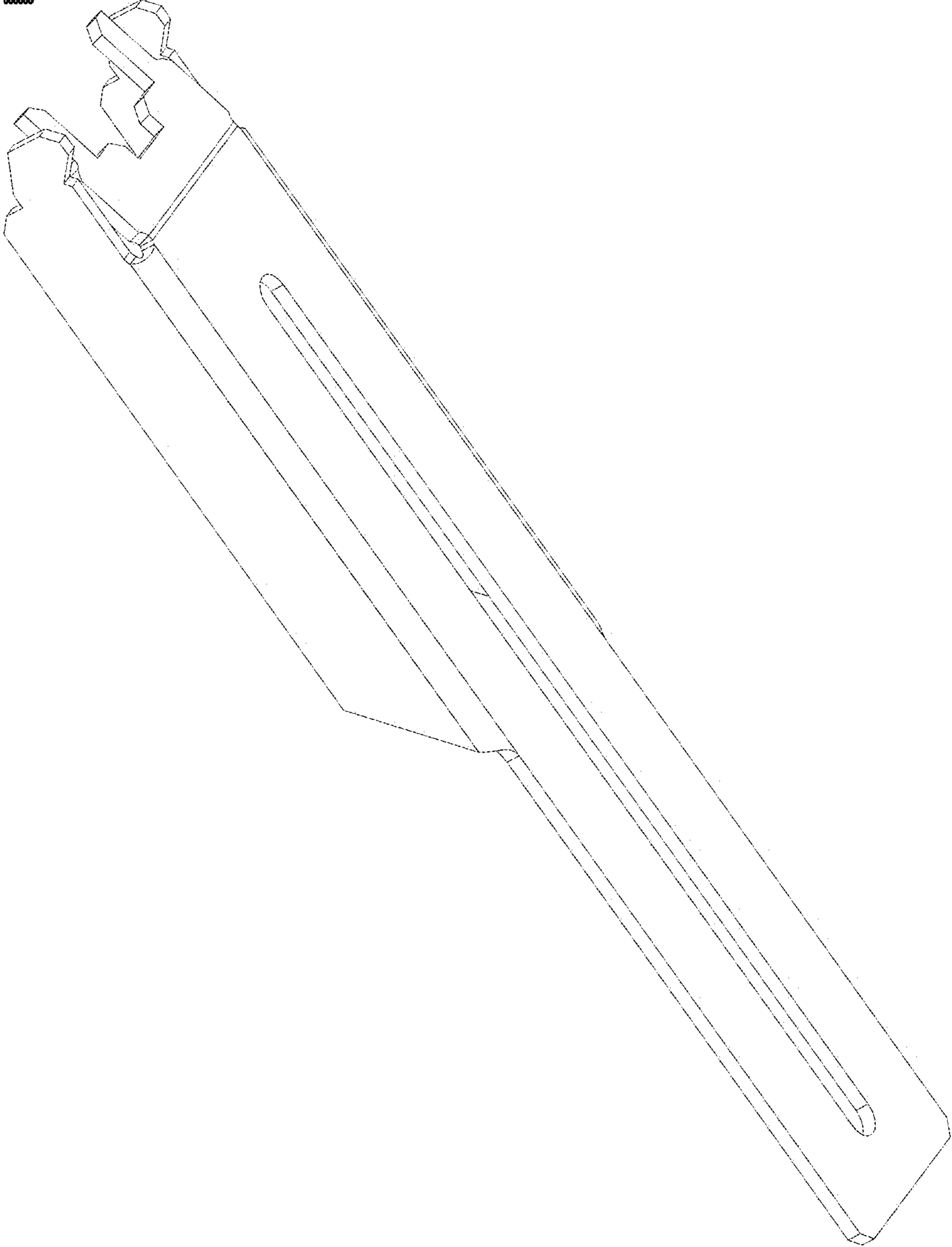


FIGURE 3

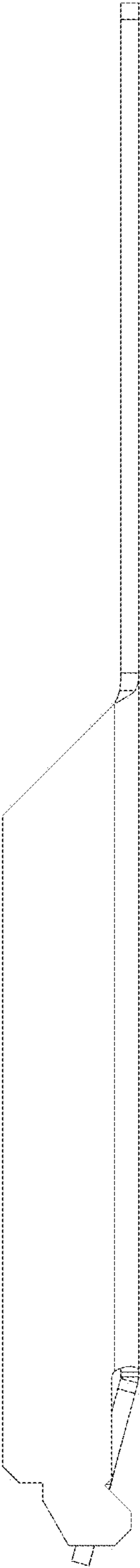


FIGURE 4

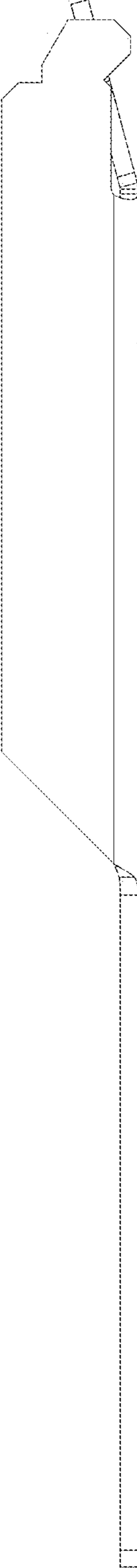


FIGURE 5

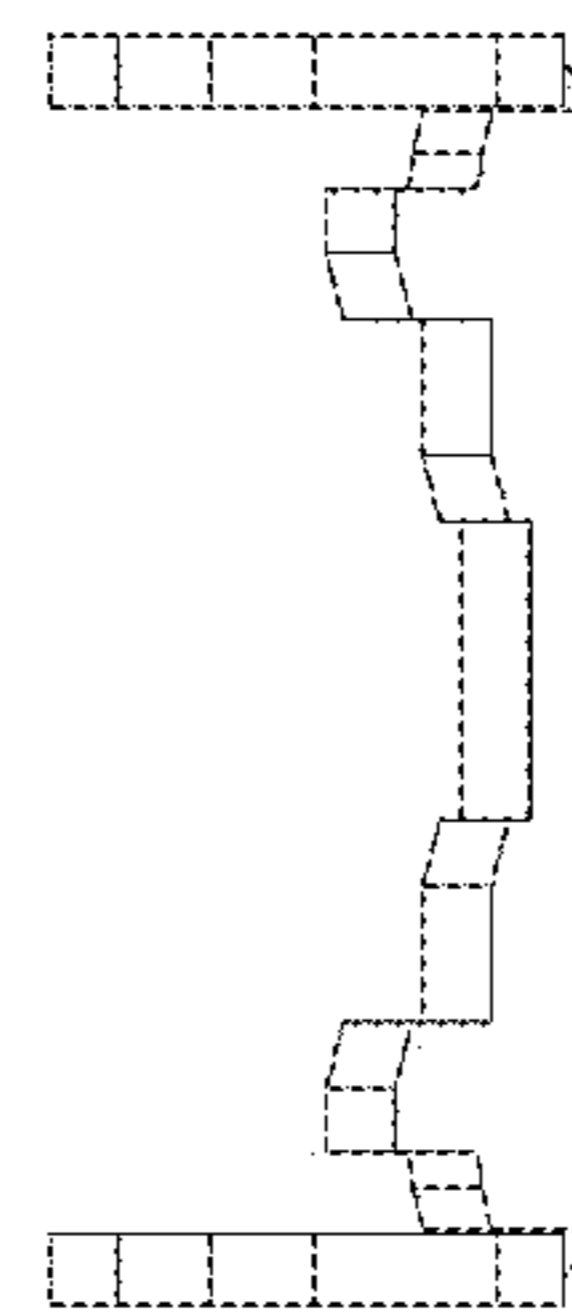


FIGURE 6

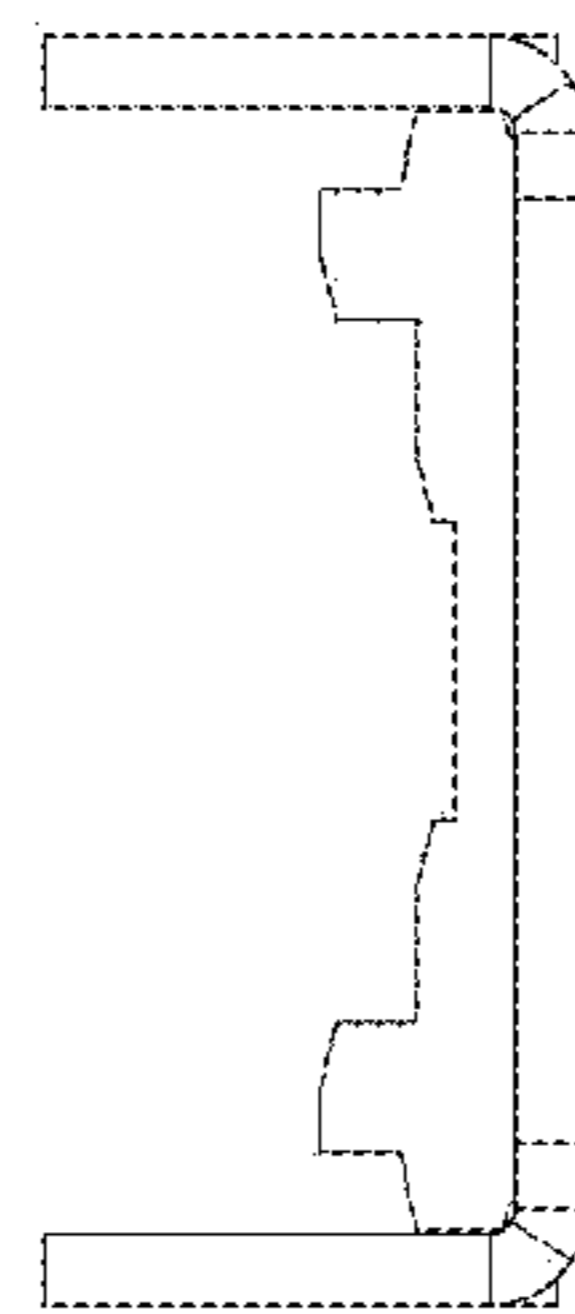


FIGURE 7

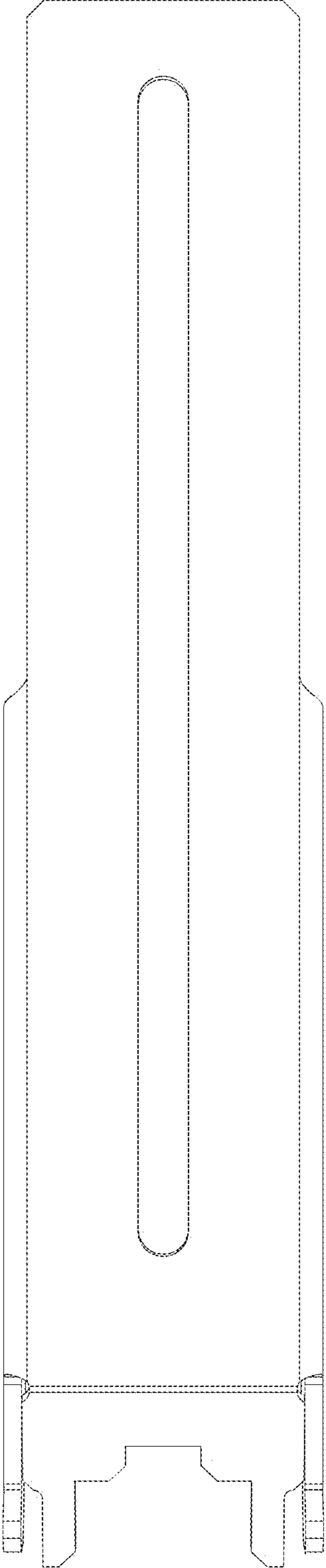


FIGURE 8

