



US00D759465S

(12) **United States Design Patent**
Reed

(10) **Patent No.:** **US D759,465 S**
(45) **Date of Patent:** **** Jun. 21, 2016**

(54) **TROPHY MOUNT HANGER**

(71) Applicant: **Gilbert A. Reed**, Ennis, MT (US)

(72) Inventor: **Gilbert A. Reed**, Ennis, MT (US)

(**) Term: **14 Years**

(21) Appl. No.: **29/493,827**

(22) Filed: **Jun. 13, 2014**

(51) **LOC (10) Cl.** **08-08**

(52) **U.S. Cl.**
USPC **D8/354**

(58) **Field of Classification Search**
USPC D8/349, 354, 373, 380, 381, 366, 371;
D12/415; D14/125, 126, 204, 209.1,
D14/217, 224, 238, 239, 432, 433, 434, 447,
D14/483, 496; D16/214, 237, 242;
248/27.1, 27.3, 48.2, 121, 126, 200,
248/205.1, 207, 309.1, 310, 346.03, 450,
248/451, 453, 475.1, 489, 494, 518, 534,
248/671, 674, 675, 678, 691; 361/679.01,
361/679.02, 679.21, 679.26, 679.3, 679.4,
361/679.41, 679.55, 679.56, 679.58, 807,
361/808, 809, 825
CPC B60Q 1/2692; B60Q 1/2611; B60Q 1/26;
B60Q 1/0483; G09F 7/18; E04F 21/185;
H01Q 1/1228; H01Q 1/12; H01Q 1/246;
H01Q 1/1242; Y10T 403/34
See application file for complete search history.

5,048,788 A * 9/1991 Lorincz A47G 1/162
248/477
D418,044 S * 12/1999 Schoeneweis D8/354
D419,430 S * 1/2000 Williams D8/382
D431,770 S * 10/2000 Willet D8/354
D438,092 S * 2/2001 Schmidt D8/373
D442,197 S * 5/2001 Willet D15/143
D534,064 S * 12/2006 Gimpel D8/382
D534,904 S * 1/2007 Crawford D14/238
D597,086 S * 7/2009 Sergi D14/238
8,091,852 B2 * 1/2012 Vassallo A47G 1/162
248/339
D658,488 S * 5/2012 Vassallo D8/373
D658,489 S * 5/2012 Vassallo D8/373
D671,390 S * 11/2012 Ibarra D8/349
D684,146 S * 6/2013 Stifal D14/239
D686,908 S * 7/2013 Kyle D8/367
D703,643 S * 4/2014 Badillo D14/247

* cited by examiner

Primary Examiner — Mark Goodwin

(74) *Attorney, Agent, or Firm* — Vincent G. LoTempio;
Kloss, Stenger & LoTempio; David T. Stephenson

(57) **CLAIM**

The ornamental design for a trophy mount hanger, as shown and described.

DESCRIPTION

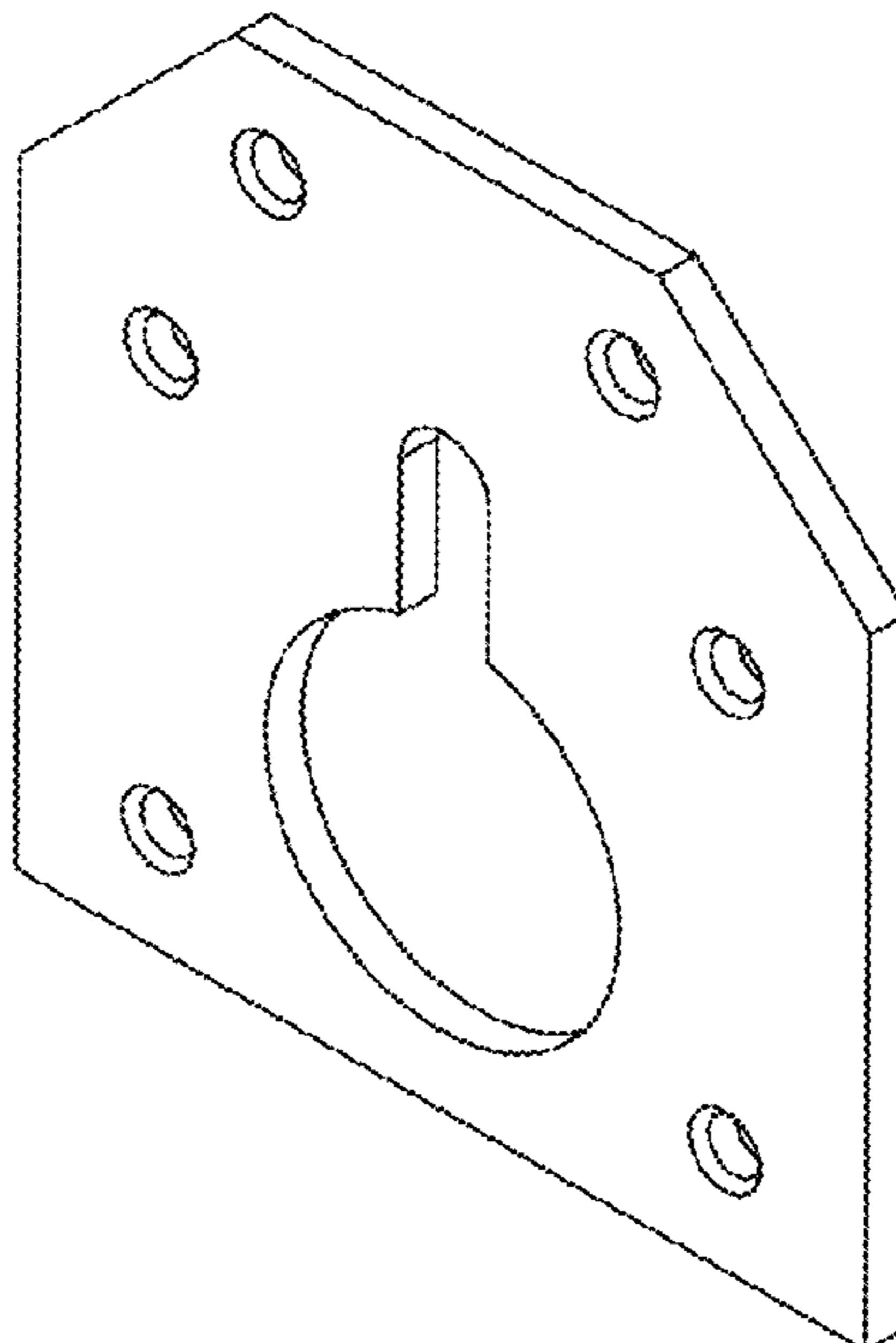
FIG. 1 is a front perspective view of the trophy mount hanger showing my new design;
FIG. 2 is a front elevational view thereof;
FIG. 3 is cross-sectional view taken generally from line 3-3 of FIG. 2;
FIG. 4 is a top plan view thereof;
FIG. 5 is a left side view of my design with the right side view being a mirror image thereof;
FIG. 6 is a bottom plan view of my design; and,
FIG. 7 is a rear view of my design.

1 Claim, 1 Drawing Sheet

(56) **References Cited**

U.S. PATENT DOCUMENTS

999,961 A * 8/1911 Colas A47G 1/1613
248/496
D214,590 S * 7/1969 Corson D8/354
D243,655 S * 3/1977 Matousek D8/354



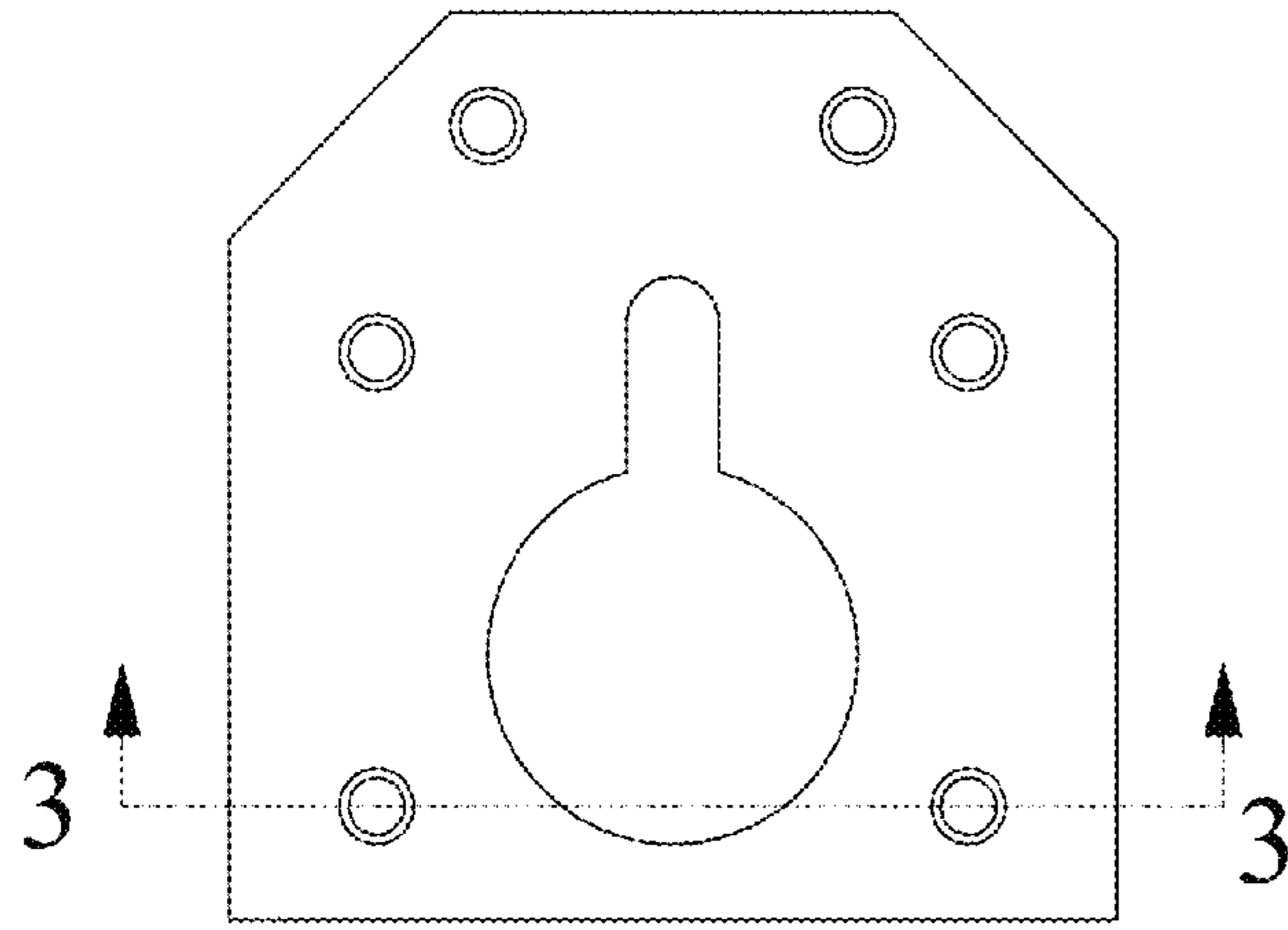


FIG. 2

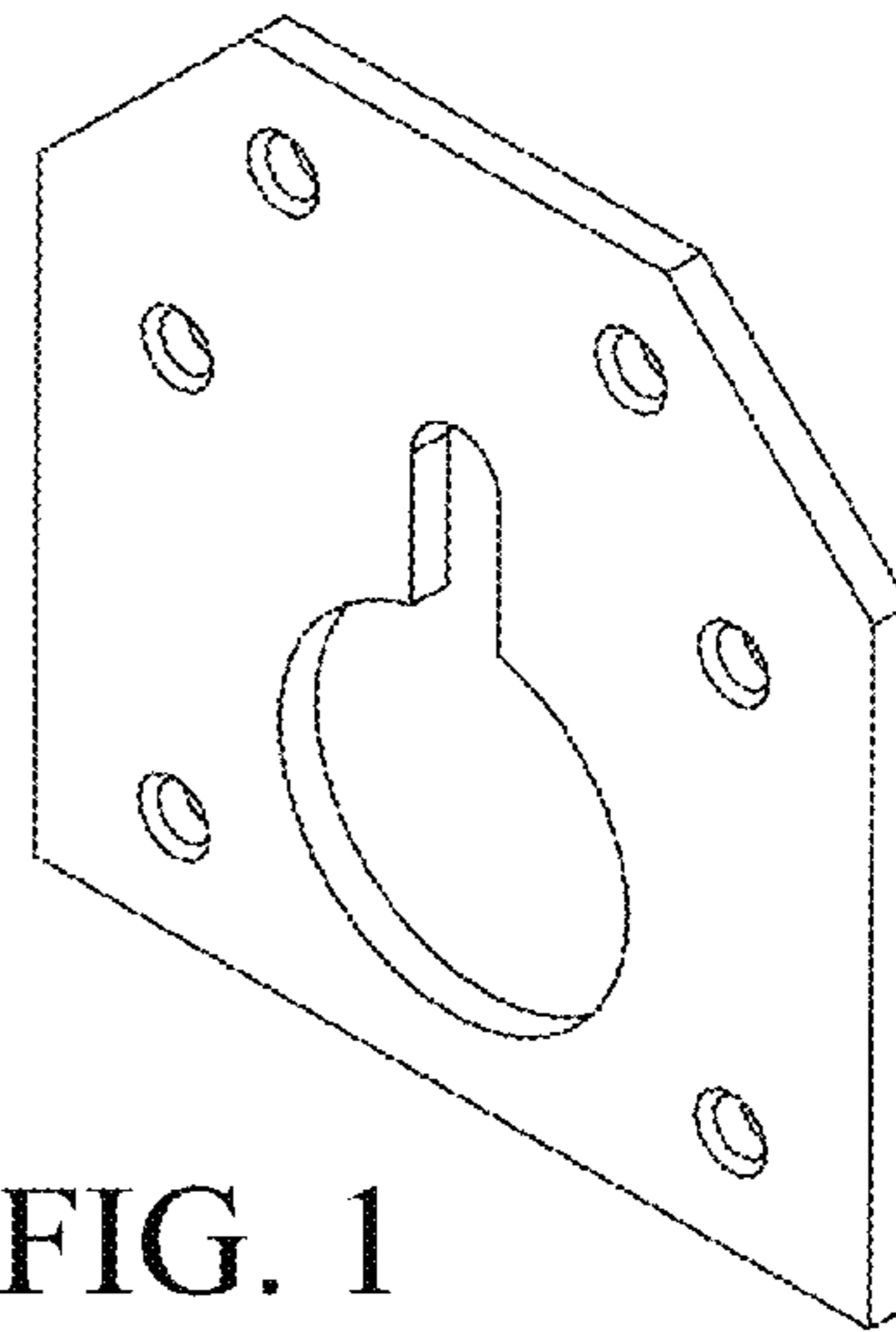


FIG. 1

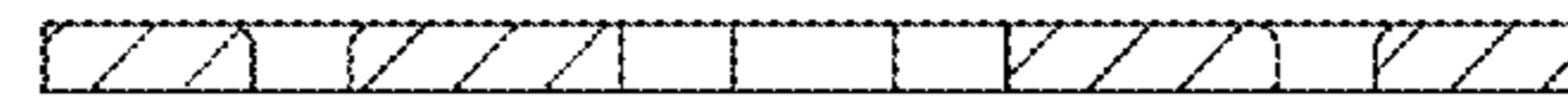


FIG. 3

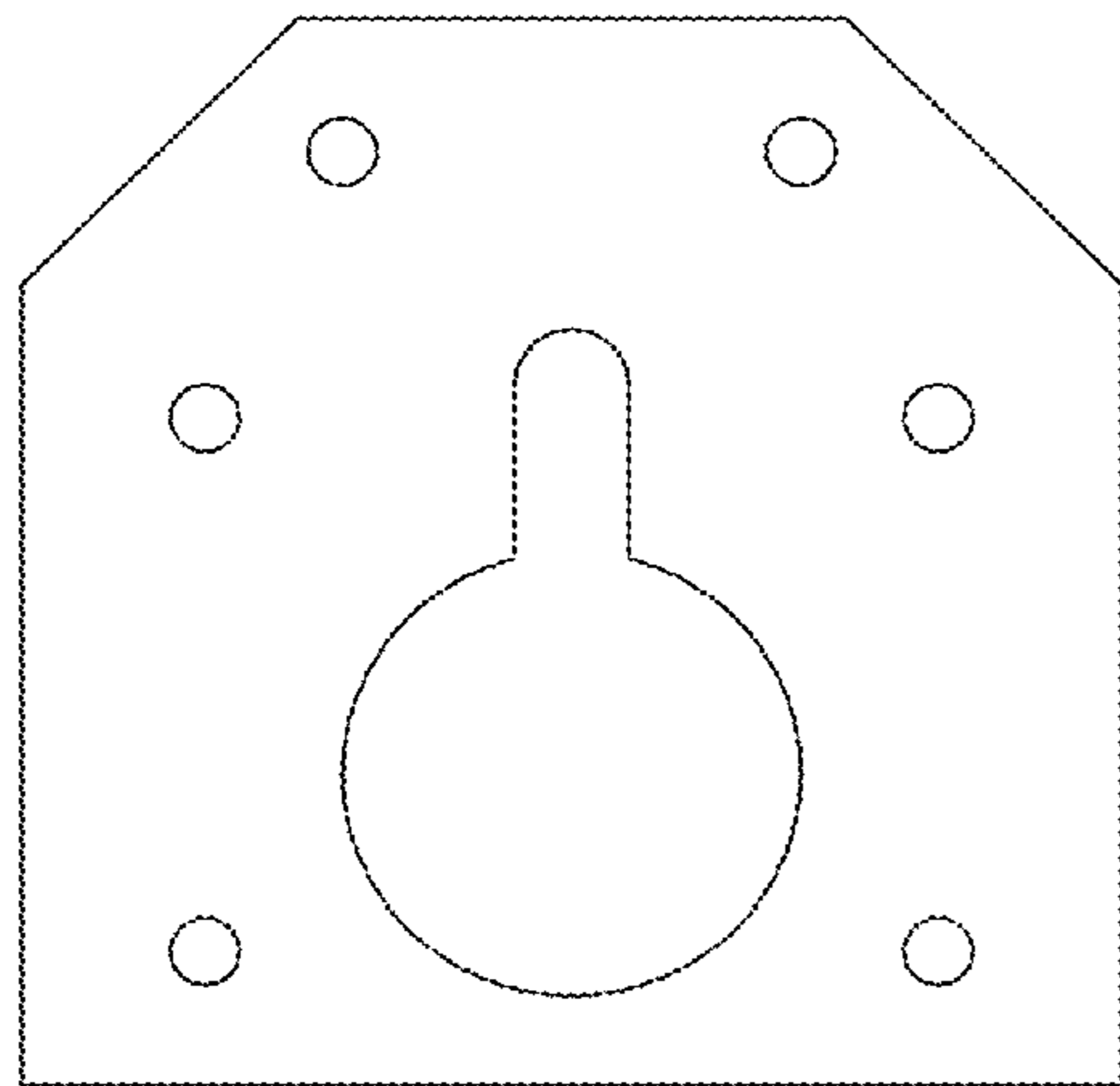


FIG. 7

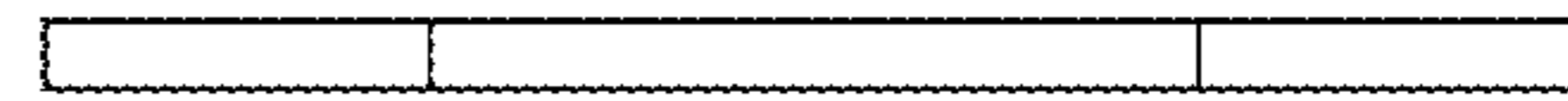


FIG. 4

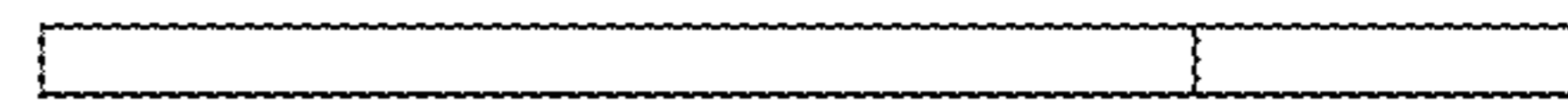


FIG. 5

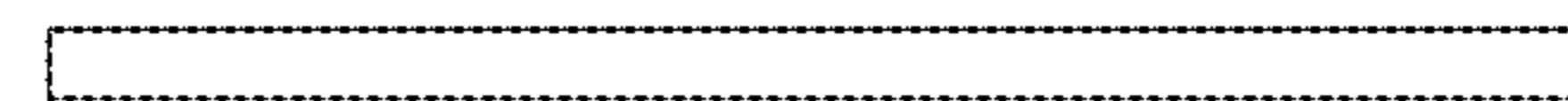


FIG. 6