



US00D759463S

(12) **United States Design Patent**
Metzler et al.

(10) **Patent No.:** **US D759,463 S**
(45) **Date of Patent:** **** Jun. 21, 2016**

(54) **MOUNT FOR STORAGE BOX**

(71) Applicants: **Reinhard Metzler**, Rankweil (AT);
Christian Schorndorfer, Besigheim
(DE)

(72) Inventors: **Reinhard Metzler**, Rankweil (AT);
Christian Schorndorfer, Besigheim
(DE)

(73) Assignee: **WUERTH INDUSTRIE SERVICE**
GMBH & CO. KG, Bad Mergentheim
(DE)

(**) Term: **14 Years**

(21) Appl. No.: **29/486,871**

(22) Filed: **Apr. 3, 2014**

(30) **Foreign Application Priority Data**

Feb. 21, 2014 (EM) 002409813-0001

(51) **LOC (10) Cl.** **08-08**

(52) **U.S. Cl.**
USPC **D8/349**

(58) **Field of Classification Search**

USPC D8/349, 354, 355, 363, 364, 372, 373,
D8/380, 381, 400; D6/683.1, 672, 684,
D6/680, 703.5; D13/184, 199; D25/121,
D25/123-125

CPC .. A47B 96/024; A47B 96/025; A47B 96/027;
A47B 96/028; A47B 96/061; A47B 96/067;
A47B 57/04; A47B 57/045; A47B 57/00;
A47B 88/06; A47B 96/00; A47B 96/02;
A47F 5/0846; A47F 5/08; A47F 5/12; A47F
5/018; A47F 5/0037; A47F 5/0081; A47F
5/16; A47F 2005/165; A47F 7/0021; A47F
7/0028; A47F 7/0035; F16M 13/02; F16L
3/123; B23P 11/00; B23Q 3/00; B23Q 3/02;
B23Q 3/15746; B23Q 2003/15593

See application file for complete search history.

(56) **References Cited**

U.S. PATENT DOCUMENTS

2,963,170	A *	12/1960	Lori	A47B 57/04 108/106
3,426,993	A *	2/1969	Johansson	A47B 57/045 211/135
3,631,821	A *	1/1972	Zachariou	A47B 57/42 108/152
D265,036	S *	6/1982	Litchfield	D8/349
D270,413	S *	9/1983	Gutner	D8/374
D312,035	S *	11/1990	Carlson	D8/349
D312,037	S *	11/1990	Carlson	D8/349
5,042,672	A *	8/1991	Mehlin	A47B 57/04 211/170
5,117,986	A *	6/1992	Lin	A47B 57/20 108/2
5,169,221	A *	12/1992	Wheeler	A47B 88/06 16/358
5,452,875	A *	9/1995	Kern	A47B 96/067 108/108

(Continued)

Primary Examiner — Mark Goodwin

(74) *Attorney, Agent, or Firm* — Andrew Wilford

(57) **CLAIM**

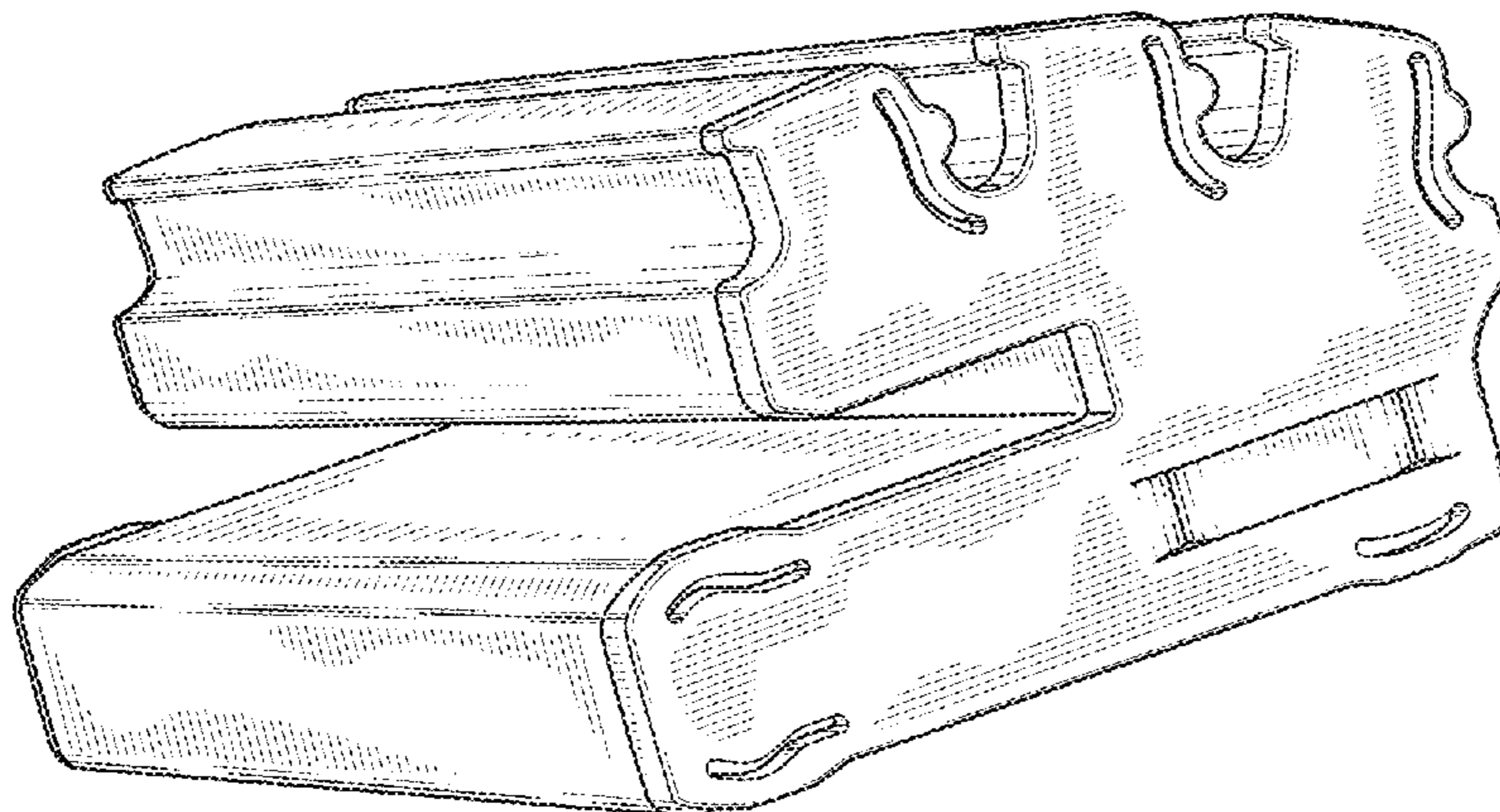
The ornamental design for a mount for storage box, as shown and described.

DESCRIPTION

FIG. 1 is a perspective end view of a mount for storage box showing our new design;
FIG. 2 is a front view thereof;
FIG. 3 is a back view thereof;
FIG. 4 is a top view thereof; and,
FIG. 5 is a bottom view thereof.

The instant invention is a mount used to attach a parallelepipedal and upwardly open storage box to a rack or wall. The mount fits with the back wall of the box at any of several different vertically offset positions therealong and suspends the box so that access can be had to the box's contents through a swing-out front wall of the box. The mount and box are typically used in a warehouse with vertical rows of the boxes holding merchandise. The attached views (30686MountInstalled.pdf) show in side, back and rear perspective views the mount secured to such a box.

1 Claim, 3 Drawing Sheets



US D759,463 S

Page 2

(56)

References Cited

U.S. PATENT DOCUMENTS

5,484,068 A *	1/1996	Huang	A47B 57/045 211/193
5,485,933 A *	1/1996	Crooymans	A47F 5/0846 211/153
D741,689 S *	10/2015	Metzler	D8/349
			* cited by examiner

2004/0195945 A1*	10/2004	Farber	A47B 57/04 312/408
2008/0041802 A1*	2/2008	Kao	A47F 5/0807 211/70.6

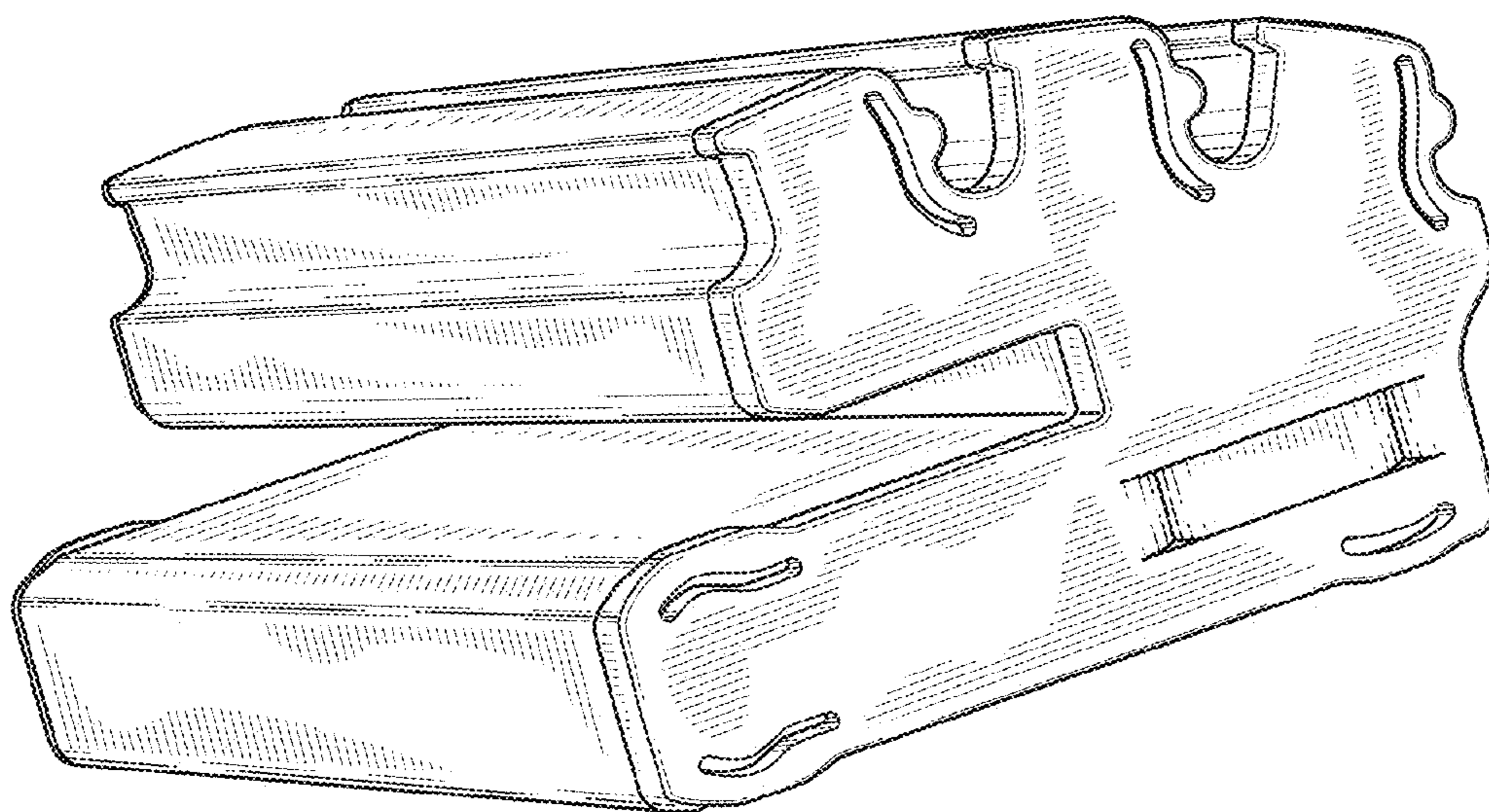


FIG. 1

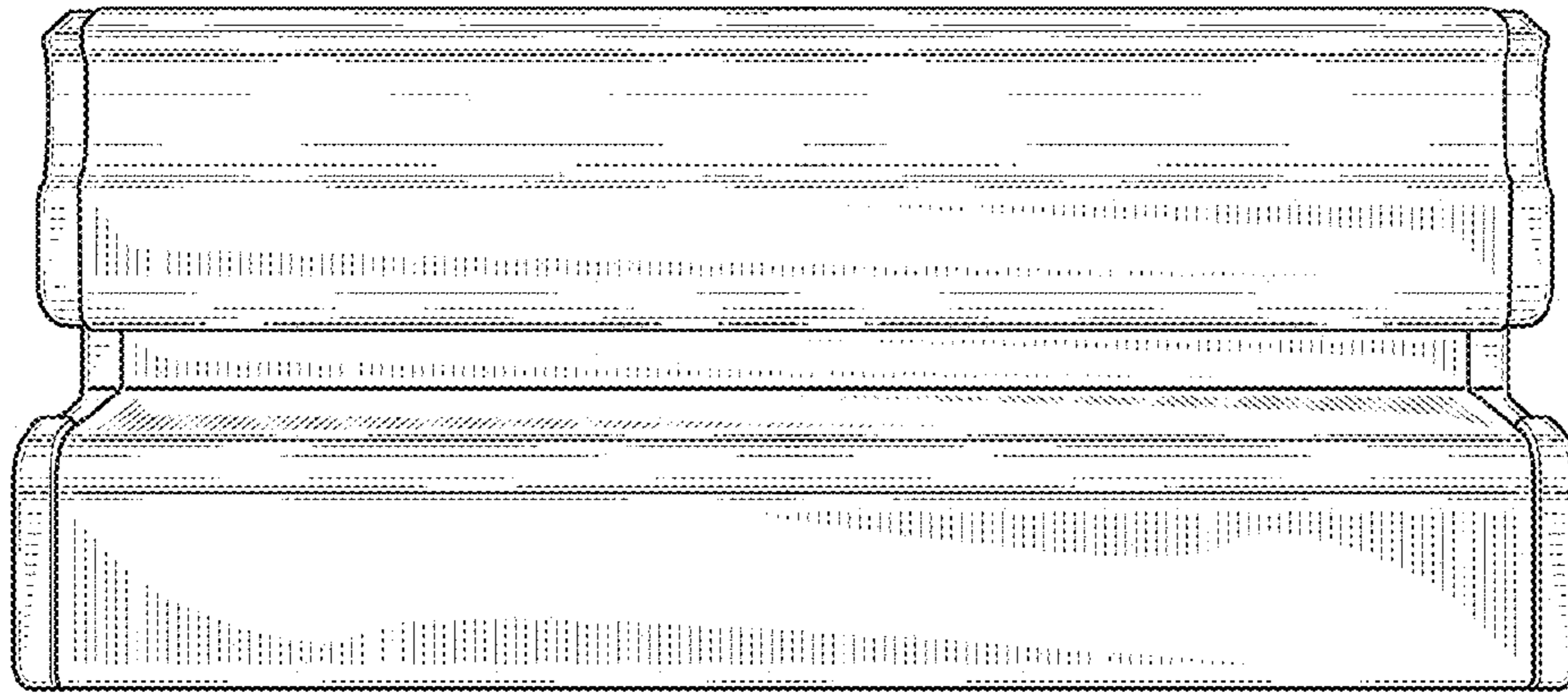


FIG. 2

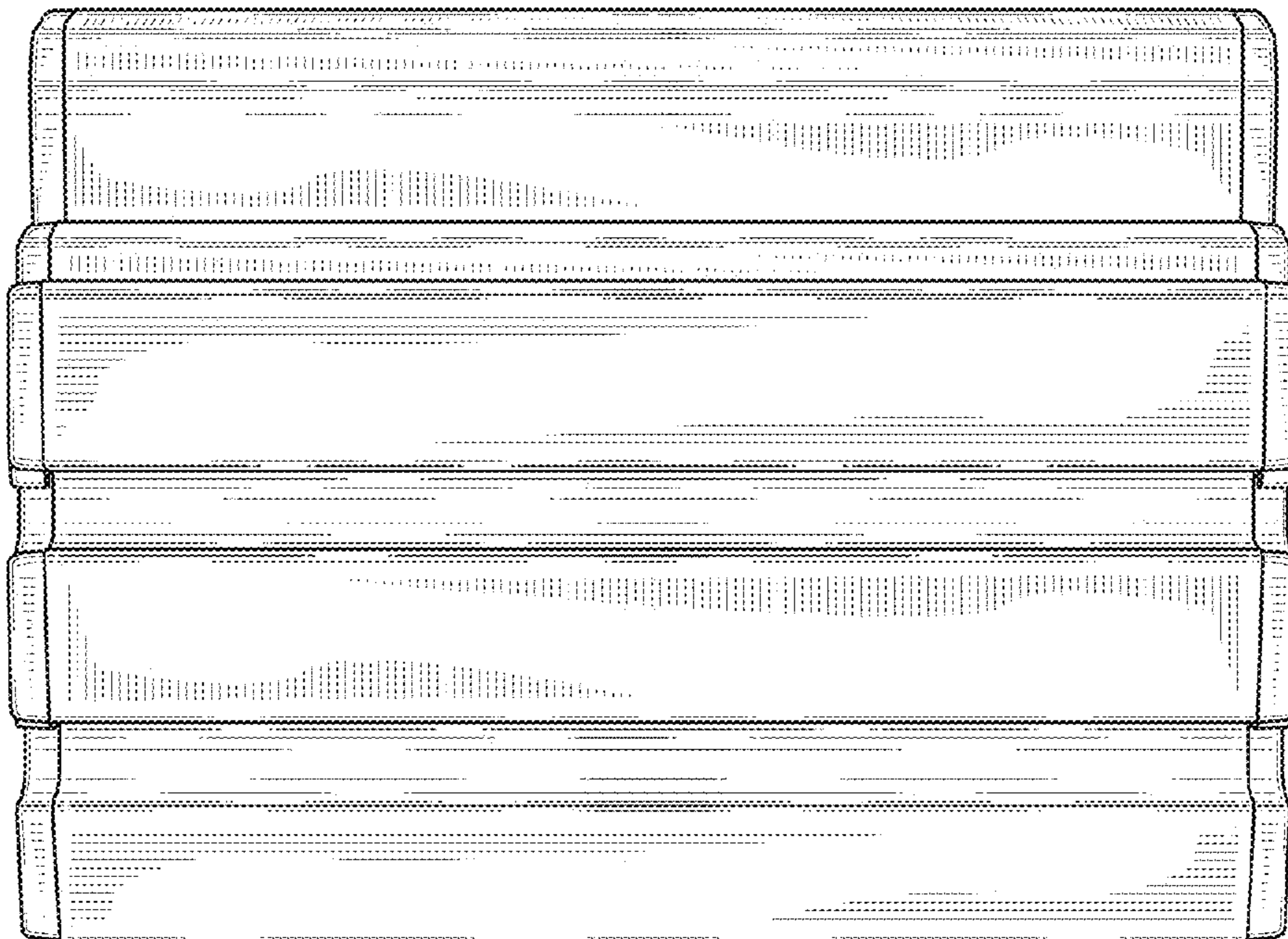


FIG. 3

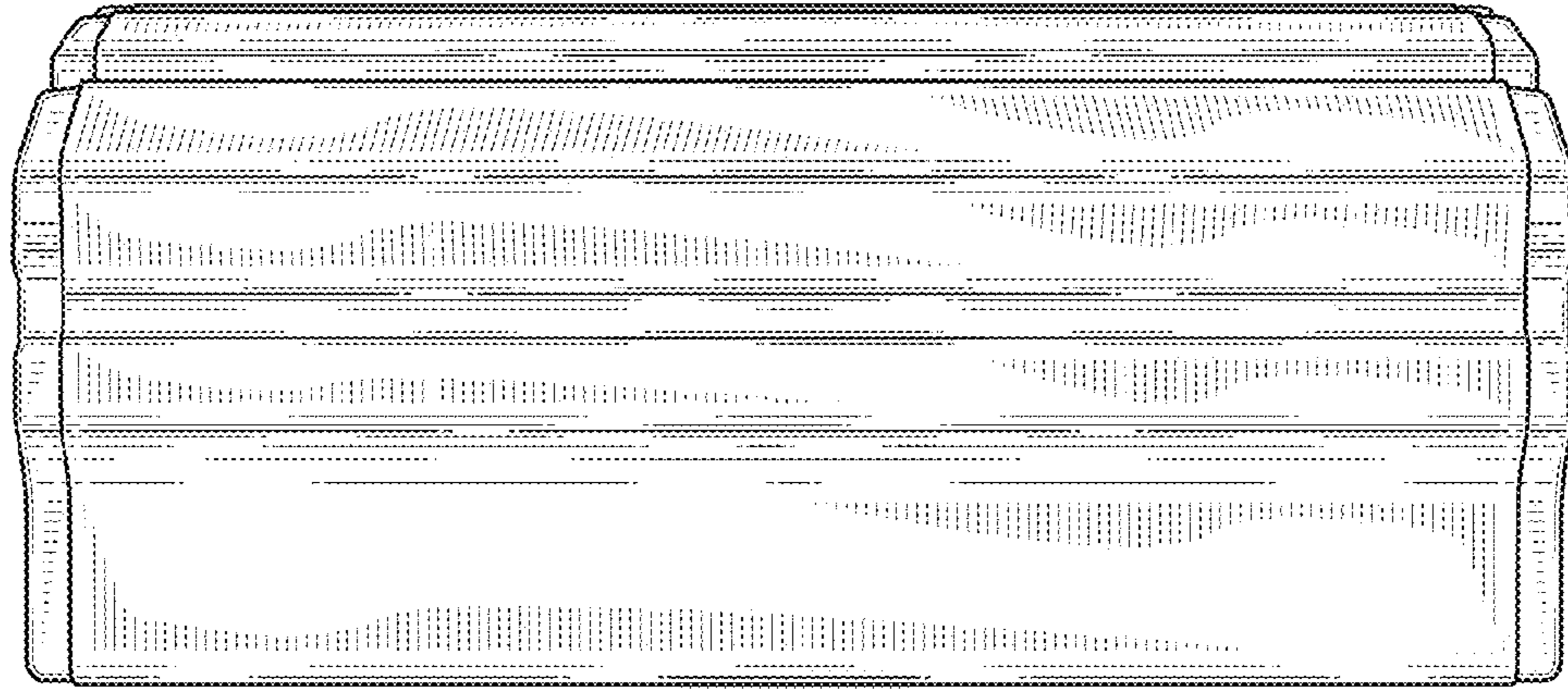


FIG. 4

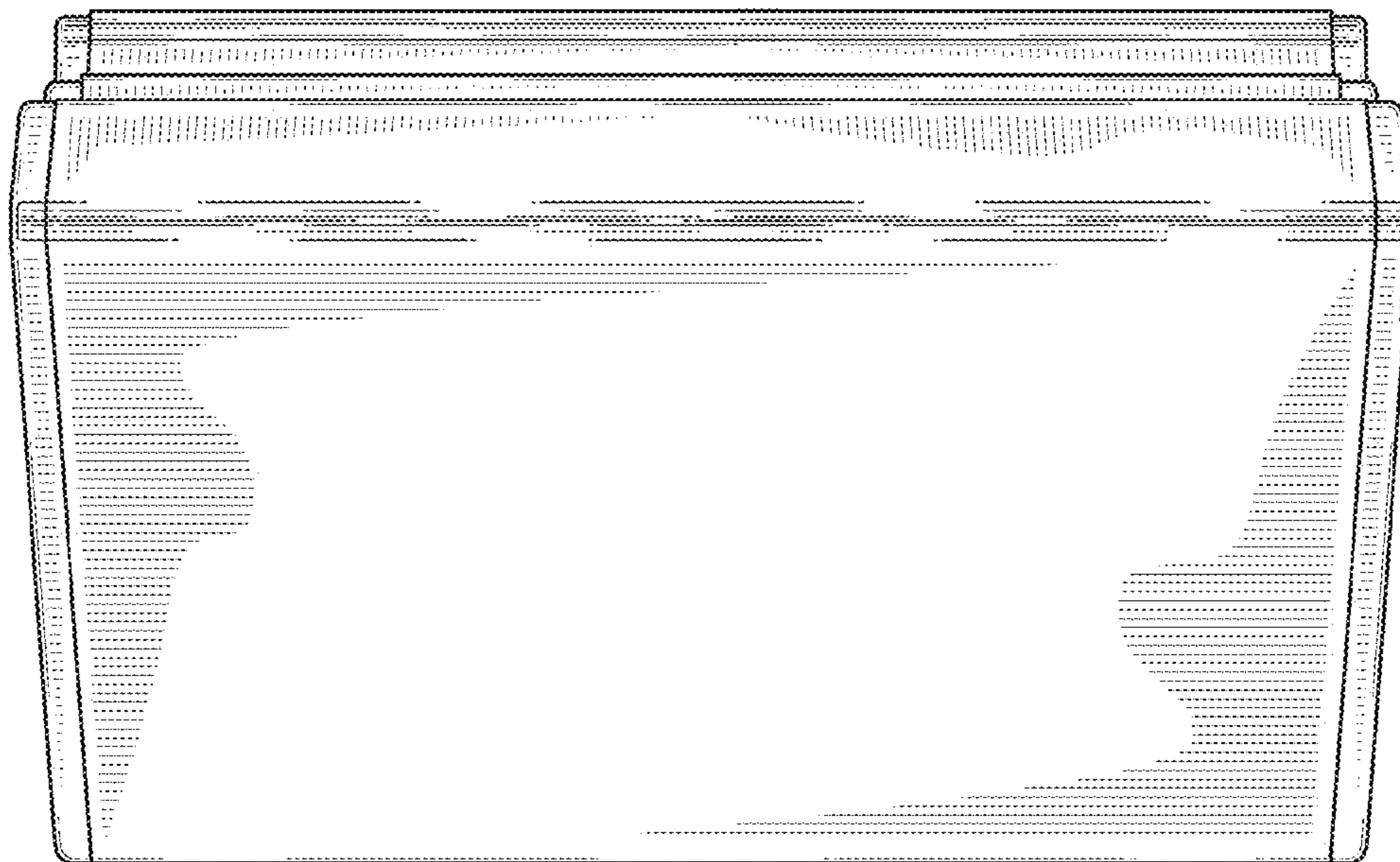


FIG. 5