



US00D759460S

(12) **United States Design Patent**  
**Thomson**

(10) **Patent No.:** **US D759,460 S**  
(45) **Date of Patent:** **\*\* Jun. 21, 2016**

(54) **COMBINATION LOCK SYSTEM**  
(71) Applicant: **IdeaStream Consumer Products, LLC**,  
Cleveland, OH (US)  
(72) Inventor: **Vincent J. Thomson**, Avon Lake, OH  
(US)  
(73) Assignee: **IdeaStream Consumer Products, LLC**,  
Cleveland, OH (US)

D316,955 S \* 5/1991 Goida ..... D8/334  
D330,843 S \* 11/1992 Anderson ..... D8/335  
D409,075 S \* 5/1999 Berger ..... D8/335  
D450,232 S \* 11/2001 Taylor ..... D8/335  
6,834,519 B1 \* 12/2004 Yang ..... E05B 37/025  
70/25  
7,003,989 B2 \* 2/2006 St. James ..... E05B 67/38  
70/54  
D527,614 S \* 9/2006 St. James ..... D8/335  
7,426,841 B2 \* 9/2008 Yang ..... E05B 19/0005  
109/47  
D590,695 S \* 4/2009 Wu ..... D8/334  
D721,261 S \* 1/2015 Yong ..... D8/334

(\*\*) Term: **14 Years**

\* cited by examiner

(21) Appl. No.: **29/524,490**

*Primary Examiner* — Prabhakar Deshmukh

(22) Filed: **Apr. 21, 2015**

(74) *Attorney, Agent, or Firm* — Fay Sharpe LLP

(51) **LOC (10) Cl.** ..... **08-07**

(57) **CLAIM**

(52) **U.S. Cl.**  
USPC ..... **D8/334; D8/335**

The ornamental design for a combination lock system, as shown and described.

(58) **Field of Classification Search**  
USPC ..... D8/330-347; 70/14, 20-28, 31, 32, 39,  
70/41, 52-56, 86, 314, 423, DIG. 43,  
70/DIG. 56, 38 A, DIG. 3, DIG. 4  
CPC ..... E05B 67/08; E05B 67/00; E05B 67/02;  
E05B 2067/00; E05B 9/00; E05B 63/00  
See application file for complete search history.

**DESCRIPTION**

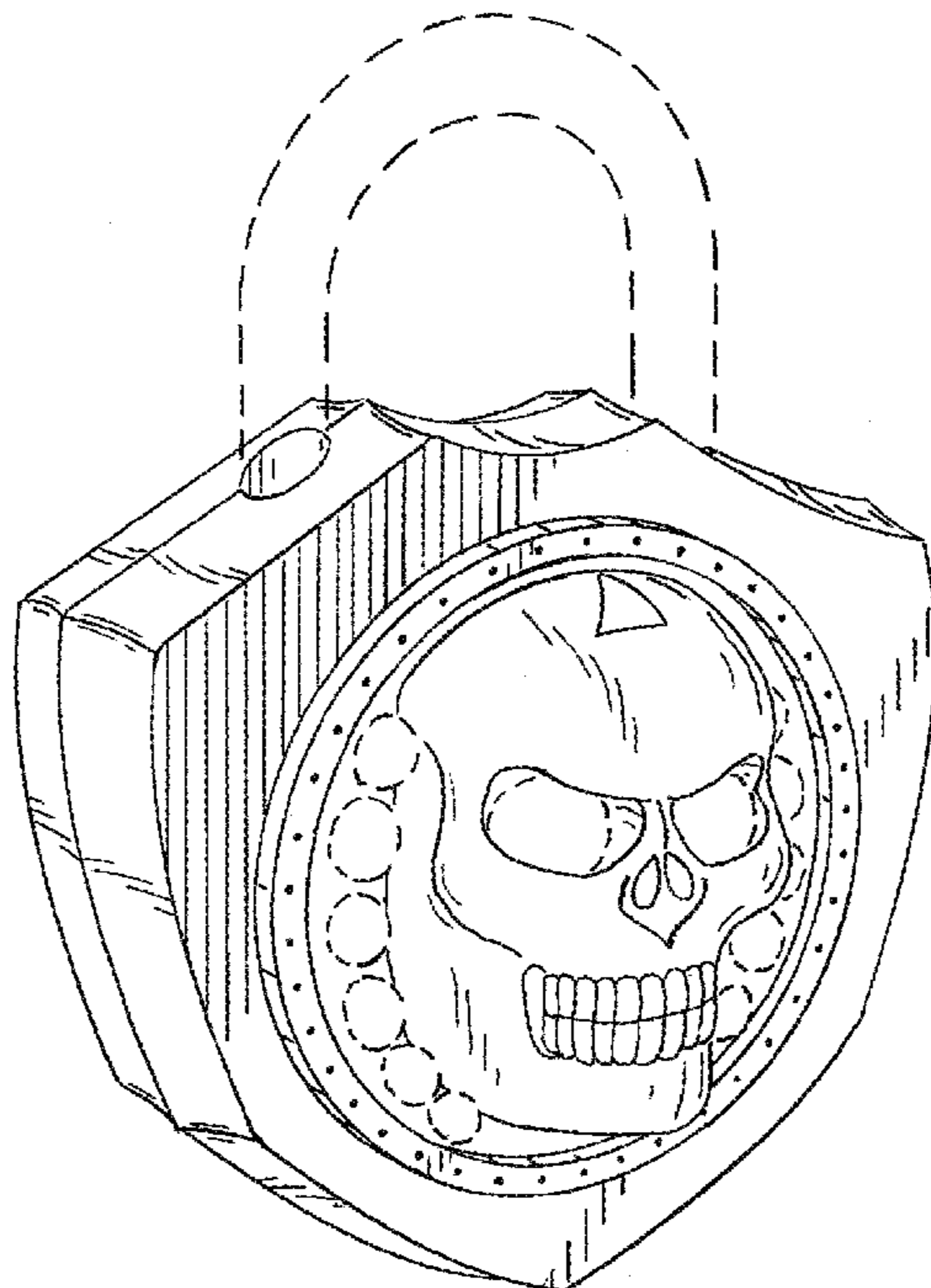
FIG. 1 is a front perspective view of a combination lock system showing my new design;  
FIG. 2 is a front elevational view thereof;  
FIG. 3 is a right side elevational view thereof;  
FIG. 4 is a top plan view thereof;  
FIG. 5 is a bottom plan view thereof; and,  
FIG. 6 is a rear elevational view thereof.  
The broken lines indicate unclaimed portions and form no part of the claimed design.

(56) **References Cited**

**U.S. PATENT DOCUMENTS**

D10,877 S \* 10/1878 Gerard ..... D11/160  
962,087 A \* 6/1910 Kuozyński ..... E05B 67/24  
70/38 A

**1 Claim, 3 Drawing Sheets**



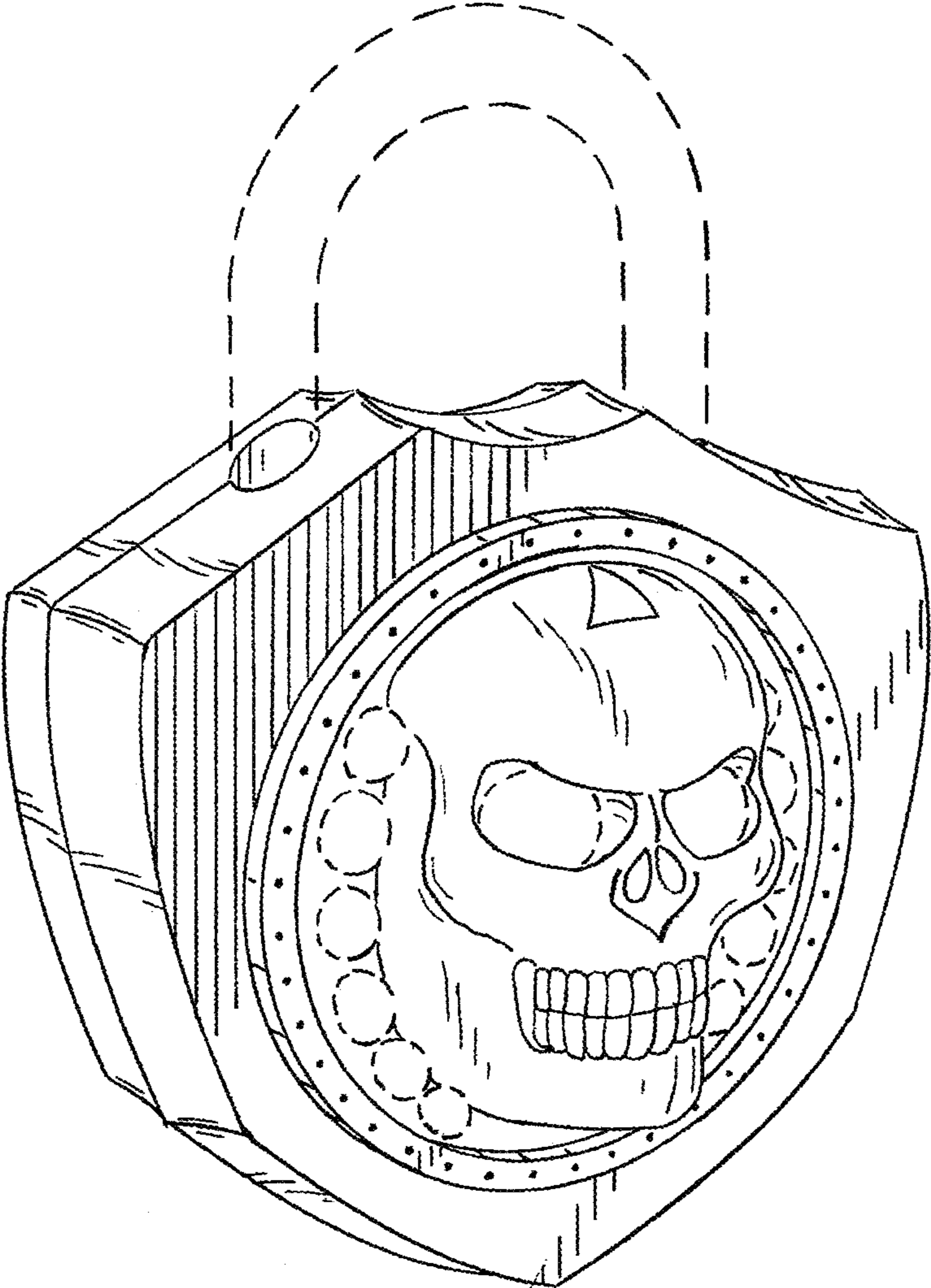


FIG. 1

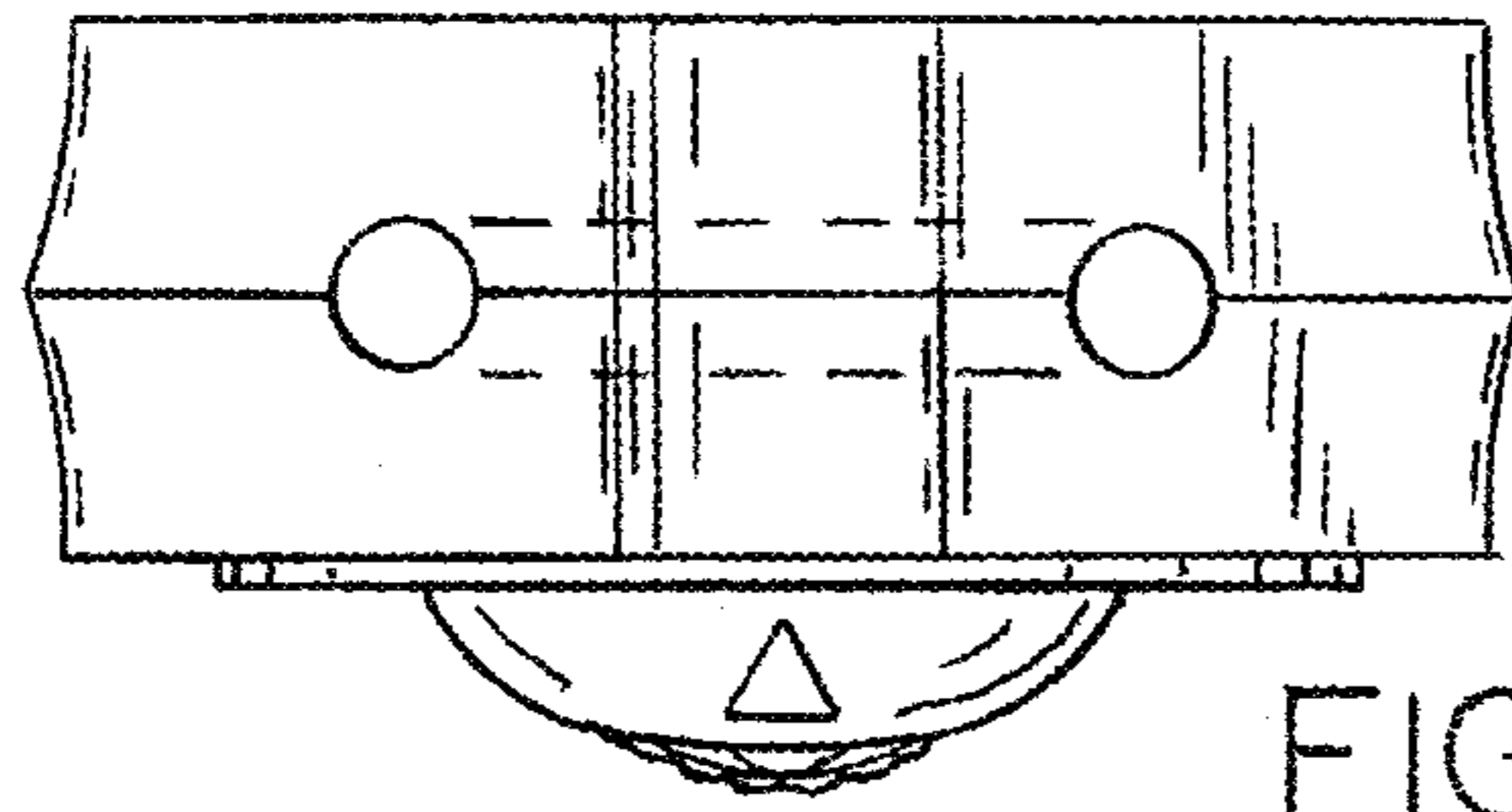


FIG. 4

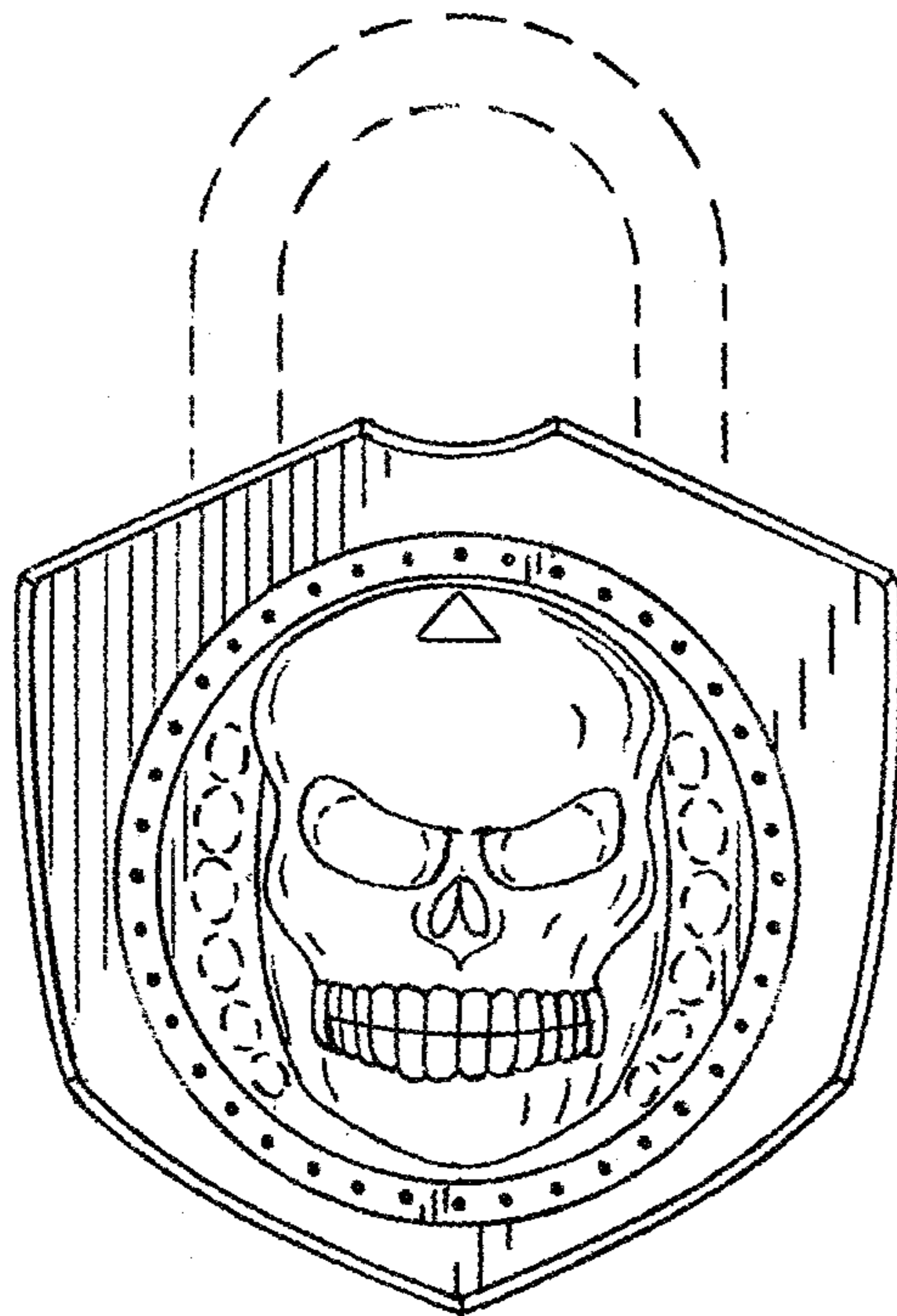


FIG. 2

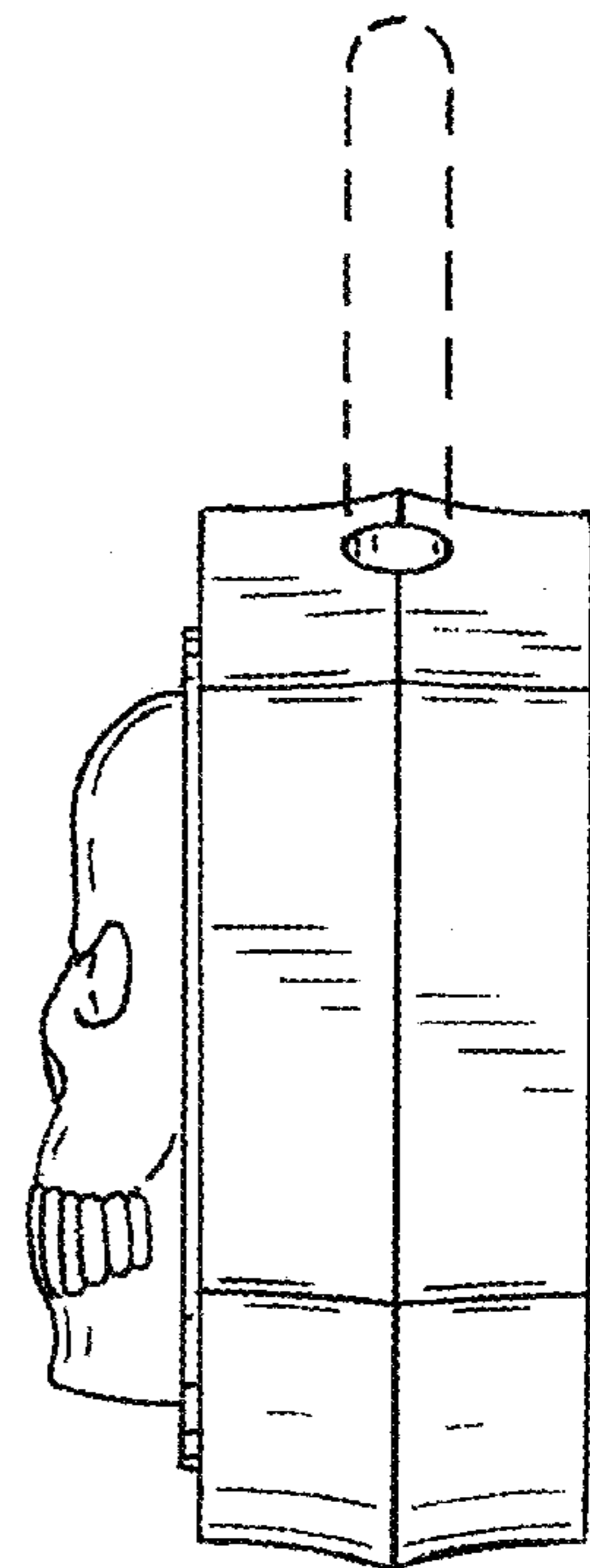


FIG. 3

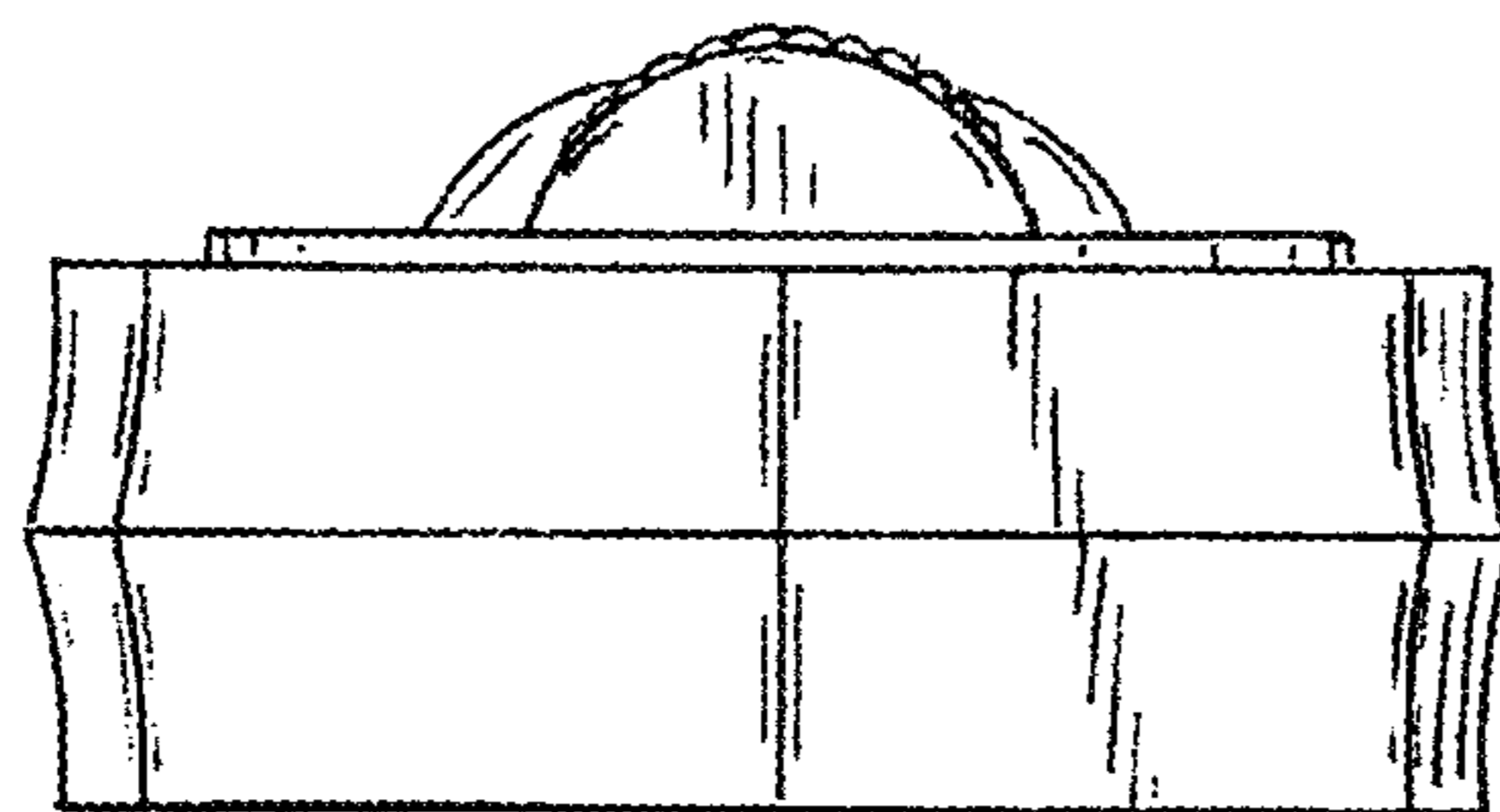


FIG. 5

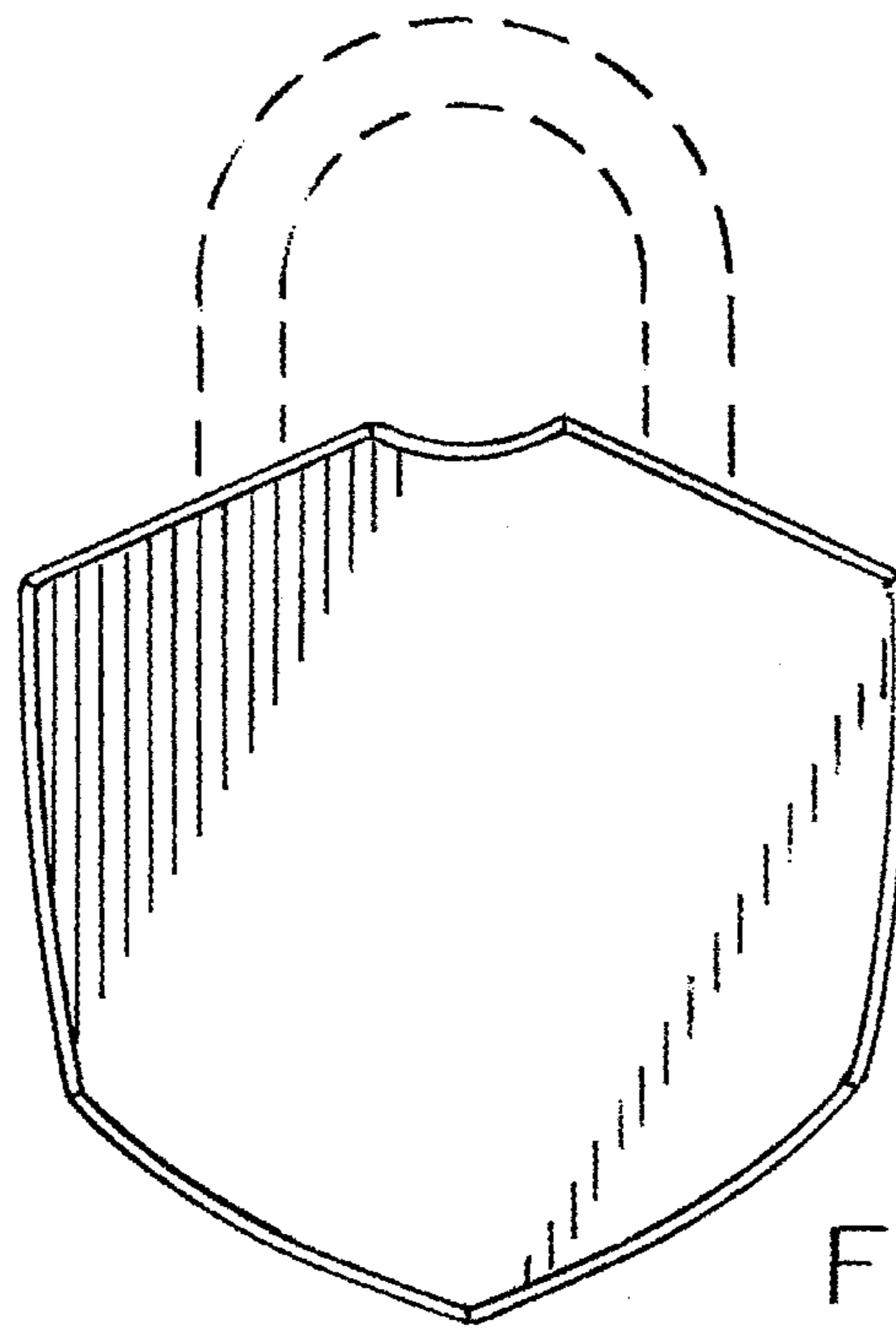


FIG. 6