



US00D759458S

(12) **United States Design Patent**
Tong

(10) **Patent No.:** **US D759,458 S**
(45) **Date of Patent:** **** Jun. 21, 2016**

(54) **HANDLE FOR BACKPACK OR LUGGAGE**

(71) Applicant: **Joy Tong**, Boca Raton, FL (US)

(72) Inventor: **Joy Tong**, Boca Raton, FL (US)

(**) Term: **14 Years**

(21) Appl. No.: **29/500,174**

(22) Filed: **Aug. 22, 2014**

(51) **LOC (10) Cl.** **08-06**

(52) **U.S. Cl.**

USPC **D8/316**

(58) **Field of Classification Search**

USPC D8/300, 315-320, DIG. 1; D23/250,
D23/254, 303-305; D99/11; D6/546, 549;
D7/393, 394, 402; 211/16; 16/110.1,
16/412, 413, 415, 419, 422, 424, 425,
16/DIG. 19; D15/89; D3/318, 328

CPC Y10T 16/469; Y10T 16/44; Y10T 16/458;
Y10T 16/498; Y10T 16/476; Y10T 16/459;
Y10T 16/466; Y10T 16/4713; Y10T 16/4644;
Y10T 16/513; Y10T 16/509; Y10T 16/473;
Y10T 16/462; Y10T 16/4701; Y10T
74/20732; Y10T 29/49826; Y10T 16/4719;
Y10T 16/455; Y10T 16/4559; Y10T
74/20828; Y10T 74/20738; Y10T 74/20762;
Y10T 16/4628; Y10T 74/20864; Y10T
16/4567; Y10T 16/4576; Y10T 16/501;
Y10T 16/86

See application file for complete search history.

(56) **References Cited**

U.S. PATENT DOCUMENTS

3,269,495 A * 8/1966 Bush 16/114.1
D253,991 S * 1/1980 Davis D8/306

4,782,556 A * 11/1988 Kim 16/444
D301,089 S * 5/1989 Kim D8/306
D302,077 S * 7/1989 Kim D8/317
D315,285 S * 3/1991 Workman D8/317
D476,481 S * 7/2003 Gilbert D3/276
D514,422 S * 2/2006 Lai D8/300
D516,406 S * 3/2006 Brammer et al. D8/300
D527,982 S * 9/2006 Brasset D8/317
D570,186 S * 6/2008 Hanes D8/317
D652,673 S * 1/2012 Cheng et al. D7/394
2003/0041411 A1 * 3/2003 Chen 16/110.1

* cited by examiner

Primary Examiner — Derrick Holland

Assistant Examiner — Lauren Calve

(74) *Attorney, Agent, or Firm* — Pai Patent & Trademark
Law Firm; Chao-Chang David Pai

(57) **CLAIM**

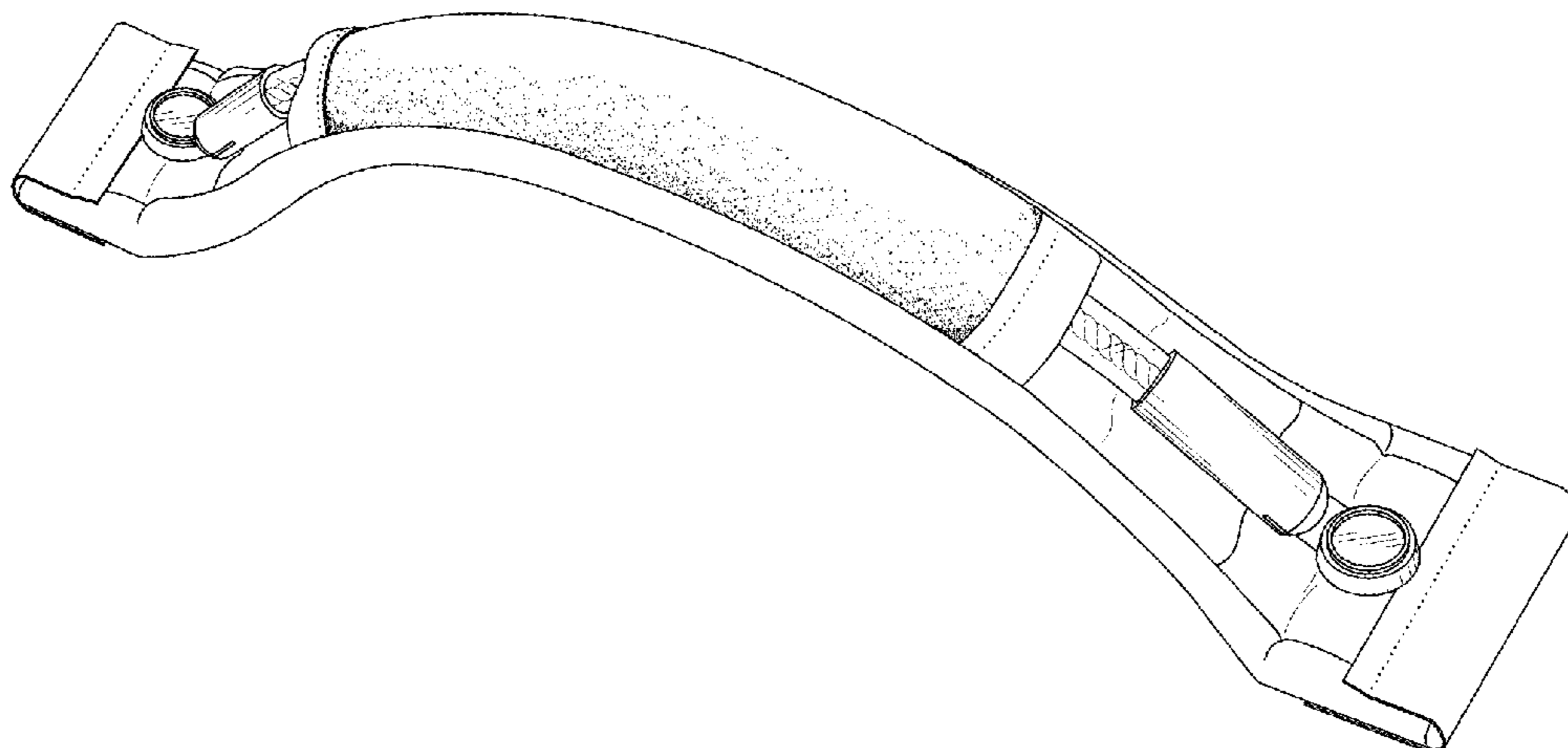
The ornamental design for a handle for backpack or luggage,
as shown and described.

DESCRIPTION

FIG. 1 is a right side perspective view of a handle for back-
pack or luggage, showing my new design;
FIG. 2 is a front view thereof;
FIG. 3 is a rear view thereof;
FIG. 4 is a left side view thereof;
FIG. 5 is a right side view thereof;
FIG. 6 is a top view thereof;
FIG. 7 is a bottom view thereof; and,
FIG. 8 is a second perspective view thereof, shown in envi-
ronmental use.

The broken lines shown represent unclaimed subject matter
and form no part of the claimed design. The dotted lines
shown represent stitching and form part of the claimed
design.

1 Claim, 5 Drawing Sheets



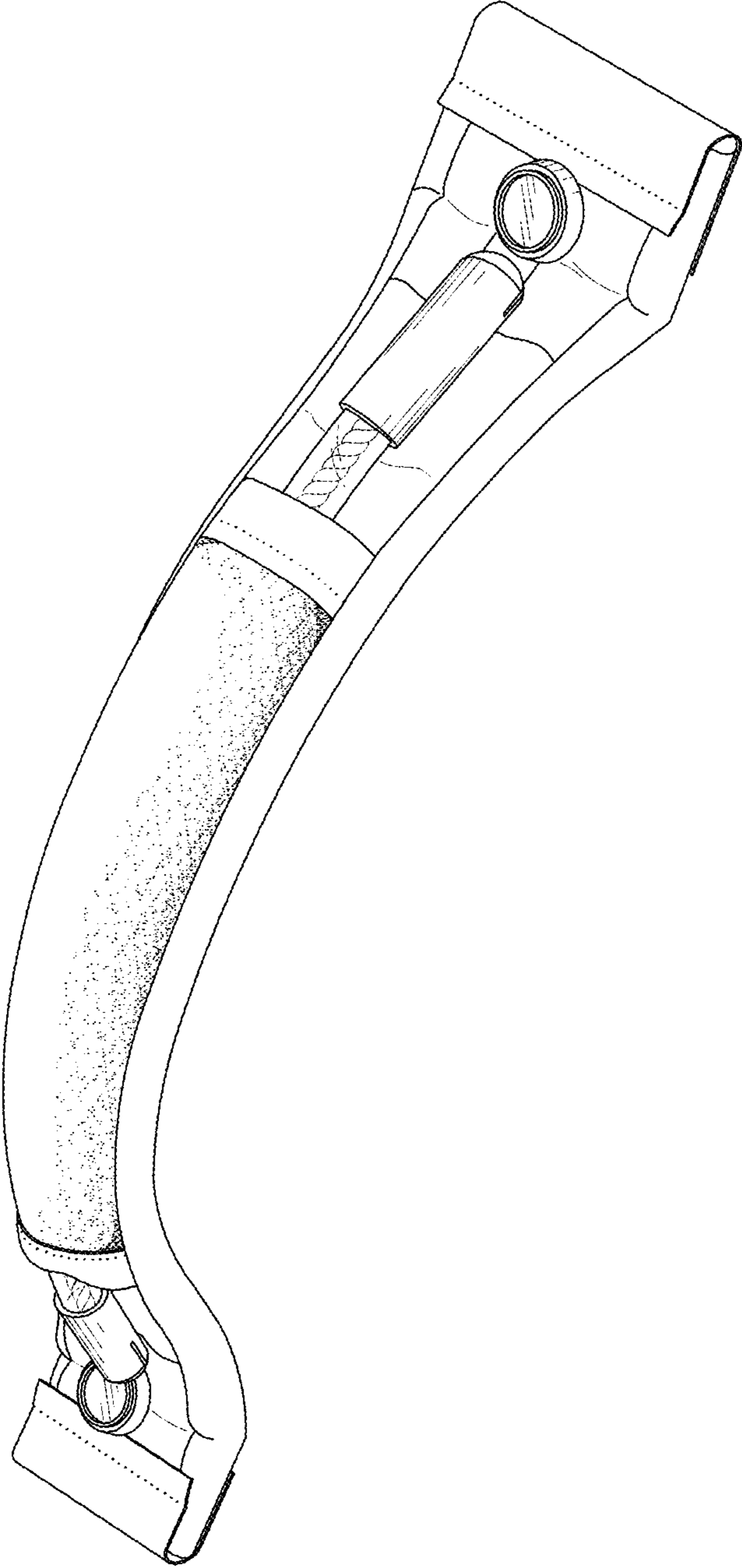


FIG. 1

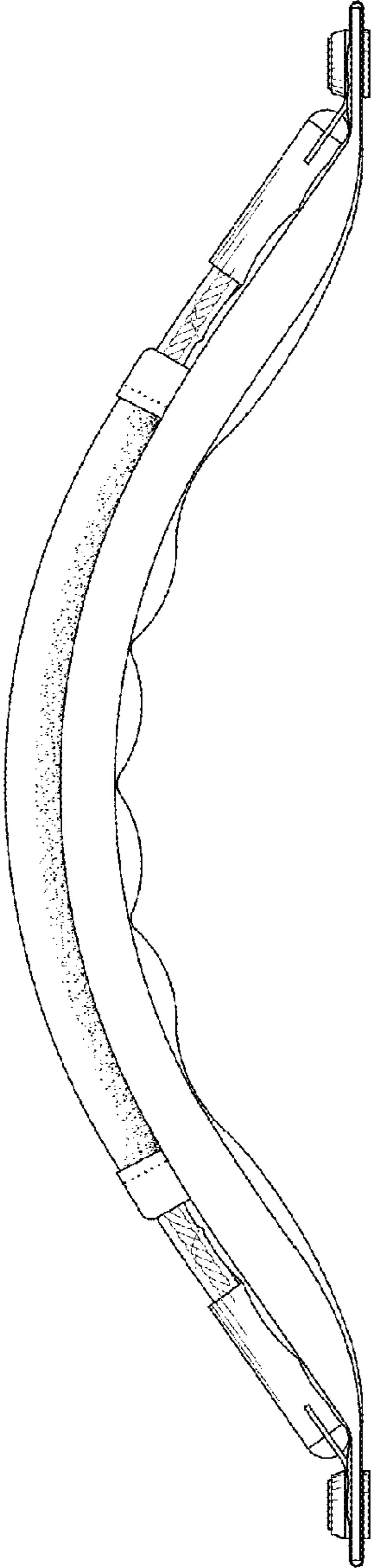


FIG. 2

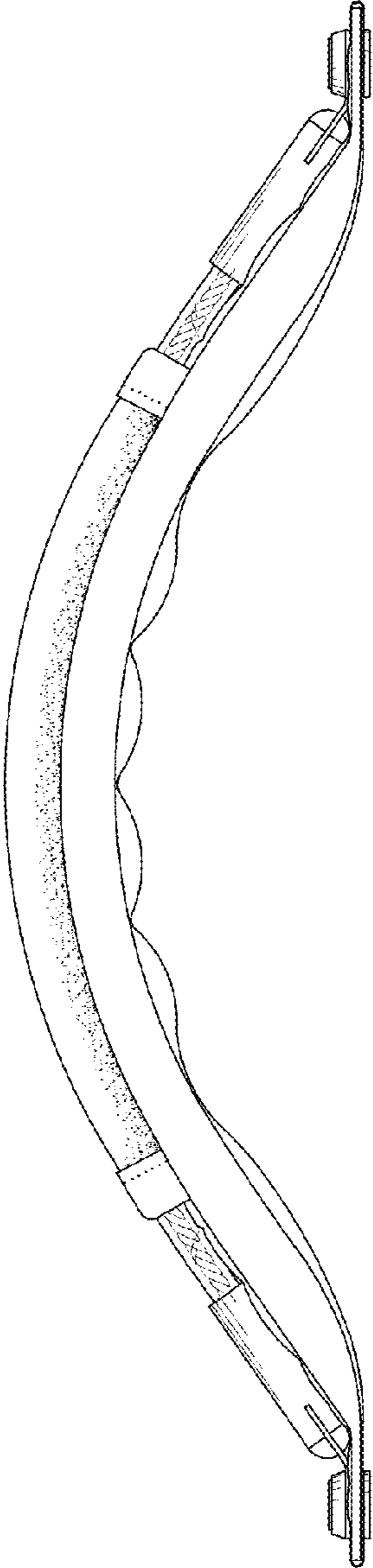


FIG. 3

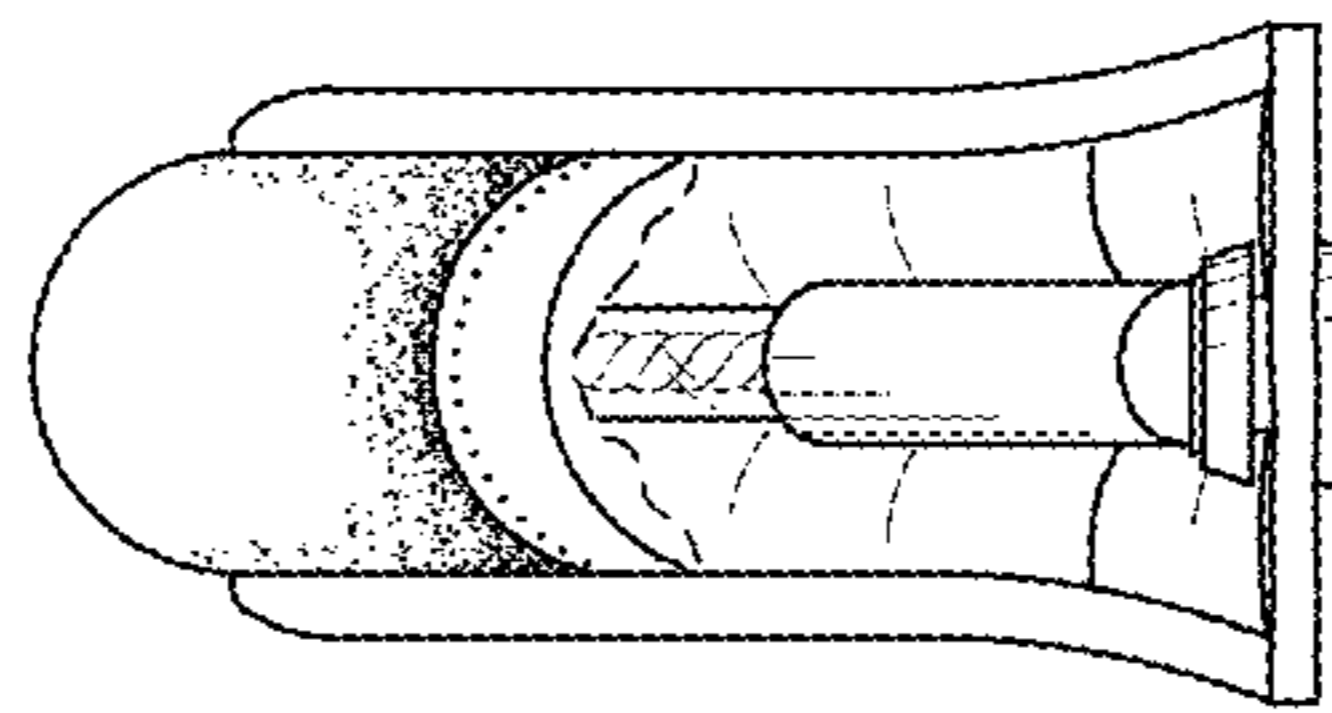


FIG. 4

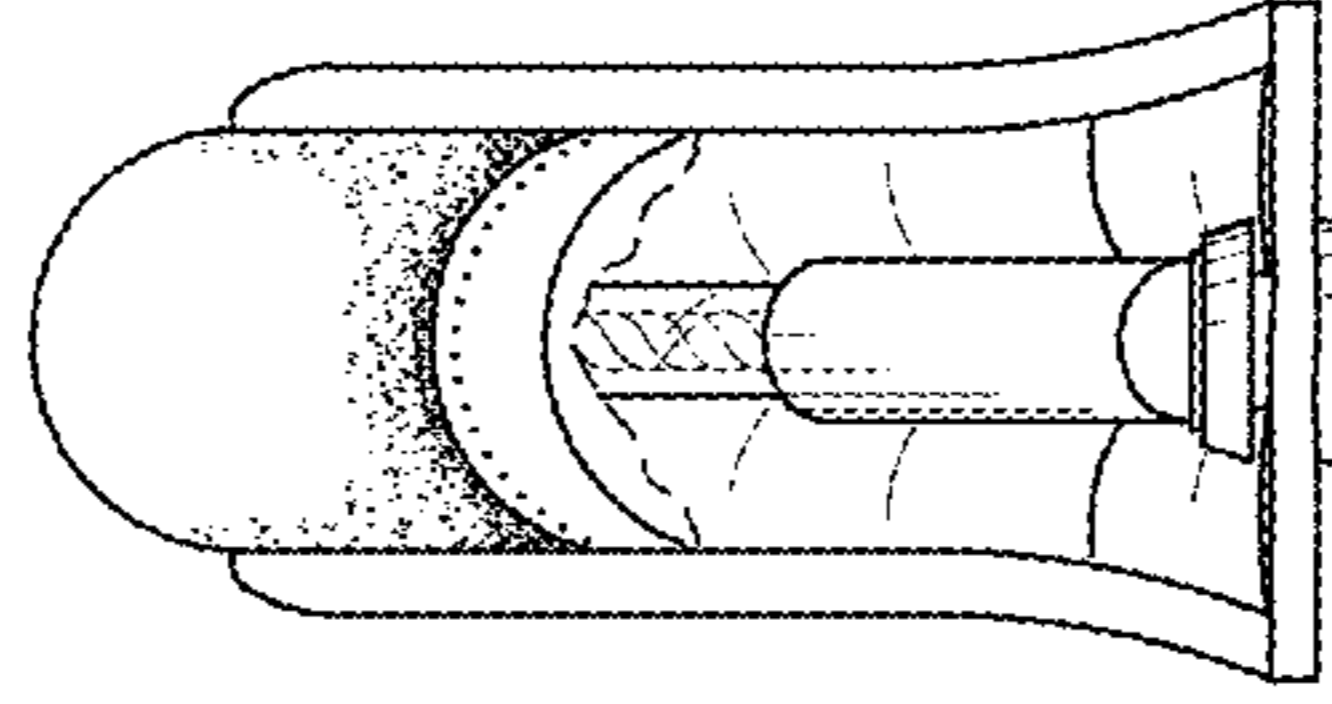


FIG. 5

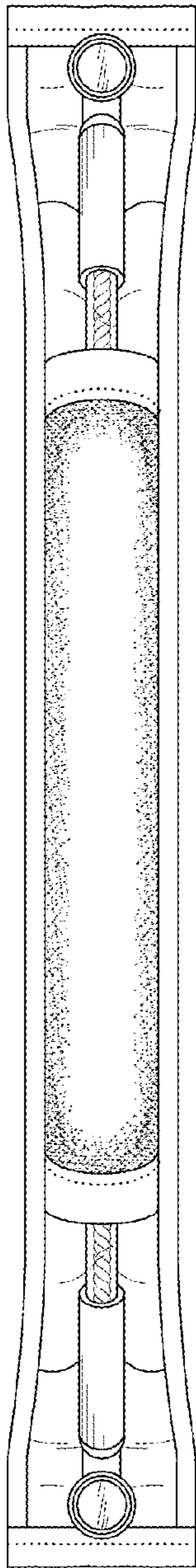


FIG. 6

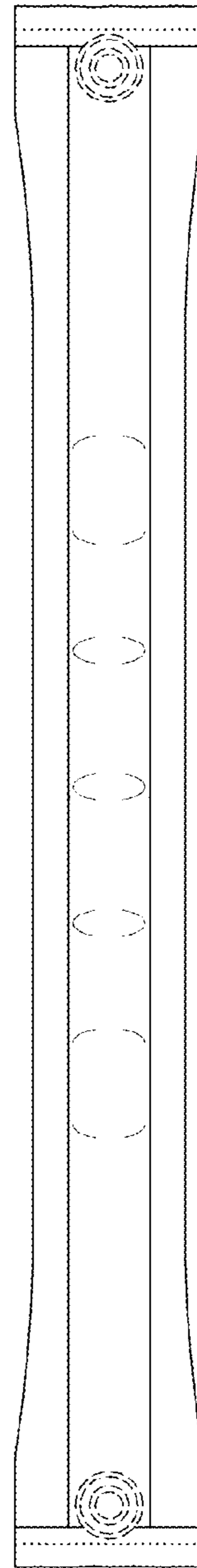


FIG. 7



FIG. 8