



US00D759457S

(12) **United States Design Patent**
Czeresko, Jr.

(10) **Patent No.:** **US D759,457 S**
(45) **Date of Patent:** **** Jun. 21, 2016**

- (54) **CABLE EYE PADDLE HANDLE ELEMENT**
- (71) Applicant: **HANSEN INTERNATIONAL, INC.**,
Lexington, SC (US)
- (72) Inventor: **Paul J. Czeresko, Jr.**, Little Mountain,
SC (US)
- (73) Assignee: **Hansen International, Inc.**, Lexington,
SC (US)
- (**) Term: **14 Years**
- (21) Appl. No.: **29/520,973**
- (22) Filed: **Mar. 19, 2015**
- (51) **LOC (10) Cl.** **08-06**
- (52) **U.S. Cl.**
USPC **D8/301**
- (58) **Field of Classification Search**
USPC D8/107, 300, 303, 311, 313, 314, 315,
D8/321, 322, 330, 331, 338, 343, 397,
D8/399; 16/110.1, 114.1, 405, 406, 411,
16/415, 416, 419, 422, 423, 424, 426, 427,
16/429, 430; D7/393, 394, 548;
292/336.3; 74/551.8, 551.9, 553, 554,
74/555, 556, 557
CPC Y10T 16/469; Y10T 16/44; Y10T 16/476;
Y10T 16/473; Y10T 16/4713; Y10T 16/498;
Y10T 16/509; Y10T 16/455; Y10T 16/4554;
Y10T 16/4719; Y10T 16/4559; Y10T 16/513;
Y10T 16/4707; Y10T 16/4576; Y10T
16/4644; Y10T 16/4696; Y10T 16/4628;
Y10T 74/20732; Y10T 74/20828; Y10T
292/57; Y10T 16/459; Y10T 16/4701; Y10T
74/20864; Y10T 74/20876; Y10T 408/96;
Y10T 137/6024; Y10T 74/20612; Y10T
74/2087; B25G 1/102; B25G 1/00; B25G
1/10; B25G 3/18; B25G 3/00; B25G 3/38;
Y10S 16/12; Y10S 16/40; Y10S 16/24;
Y10S 16/19; Y10S 16/90

See application file for complete search history.

- (56) **References Cited**
U.S. PATENT DOCUMENTS
D143,238 S * 12/1945 Pfefferkorn D8/321
D375,671 S * 11/1996 Heithe D8/301
6,543,821 B1 * 4/2003 Weinerman E05B 13/105
292/123
6,854,304 B2 * 2/2005 Linares E05B 5/00
292/DIG. 31
D622,126 S * 8/2010 Burns D8/302
D690,186 S * 9/2013 Coffin D8/314
2011/0181055 A1 * 7/2011 Hidding E05B 7/00
292/228
2014/0042755 A1 * 2/2014 Goodman E05C 19/105
292/65
2014/0210222 A1 * 7/2014 Weinerman E05B 63/00
292/307 R

* cited by examiner

Primary Examiner — Derrick Holland

Assistant Examiner — Lauren Calve

(74) *Attorney, Agent, or Firm* — JK Intellectual Property
Law, PA

(57) **CLAIM**

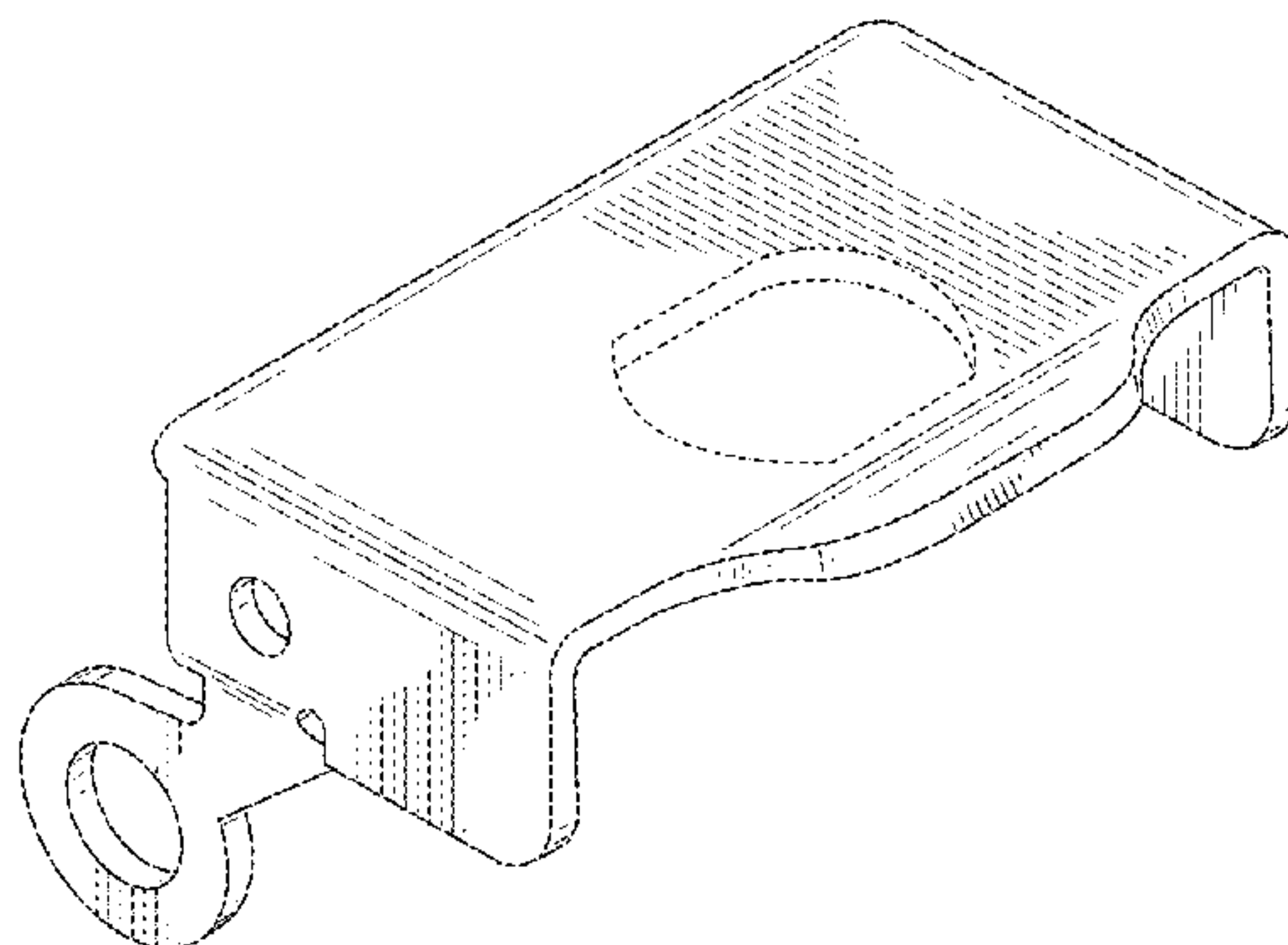
The ornamental design for a cable eye paddle handle element,
as shown and described.

DESCRIPTION

FIG. 1 is an isometric view of a first embodiment of a cable eye paddle handle element;
FIG. 2 is a bottom view of the cable eye paddle handle element of FIG. 1;
FIG. 3 is a top view of the cable eye paddle handle element of FIG. 1;
FIG. 4 is a left side view of the cable eye paddle handle element of FIG. 1;
FIG. 5 is a right side view of the cable eye paddle handle element of FIG. 1;
FIG. 6 is a front view of the cable eye paddle handle element of FIG. 1;
FIG. 7 is a back view of the cable eye paddle handle element of FIG. 1; and,
FIG. 8 is an isometric view of a second embodiment of a cable eye paddle handle element, the bottom, top, right, left, front and back sides being mirror images of the cable eye paddle handle element shown in FIG. 1.

The broken lines shown represent unclaimed subject matter and form no part of the claimed design.

1 Claim, 7 Drawing Sheets



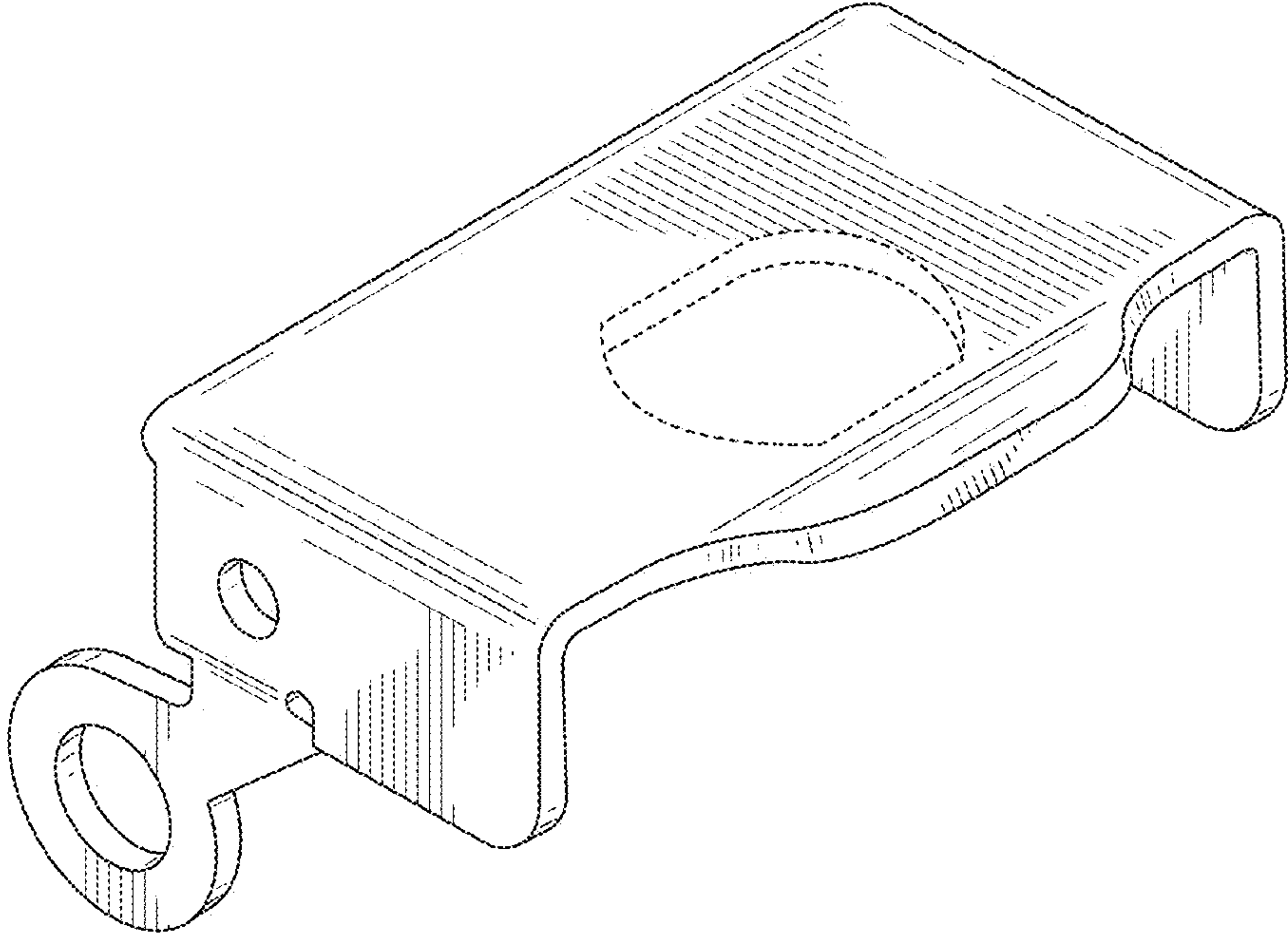


FIG. 1

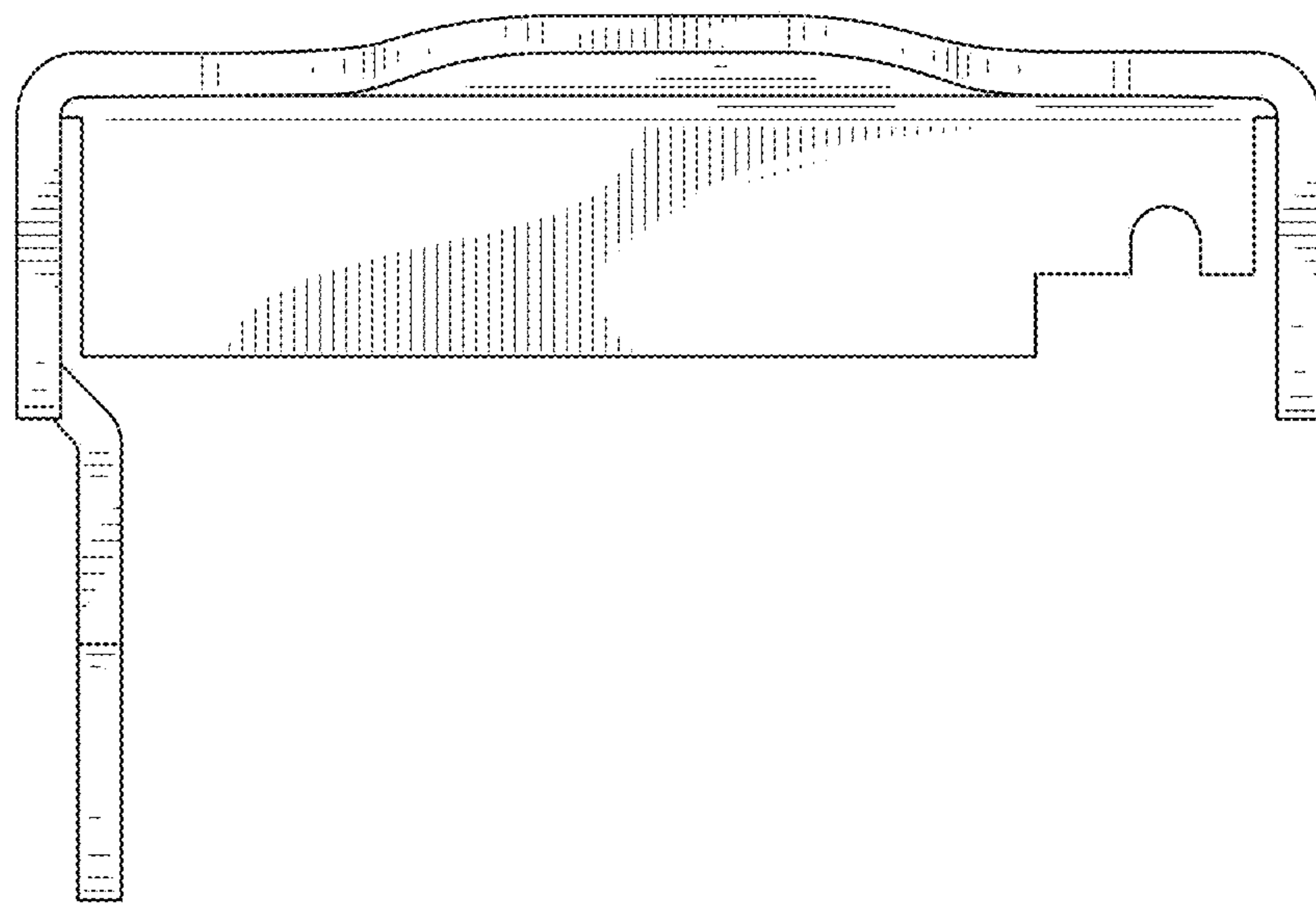


FIG. 2

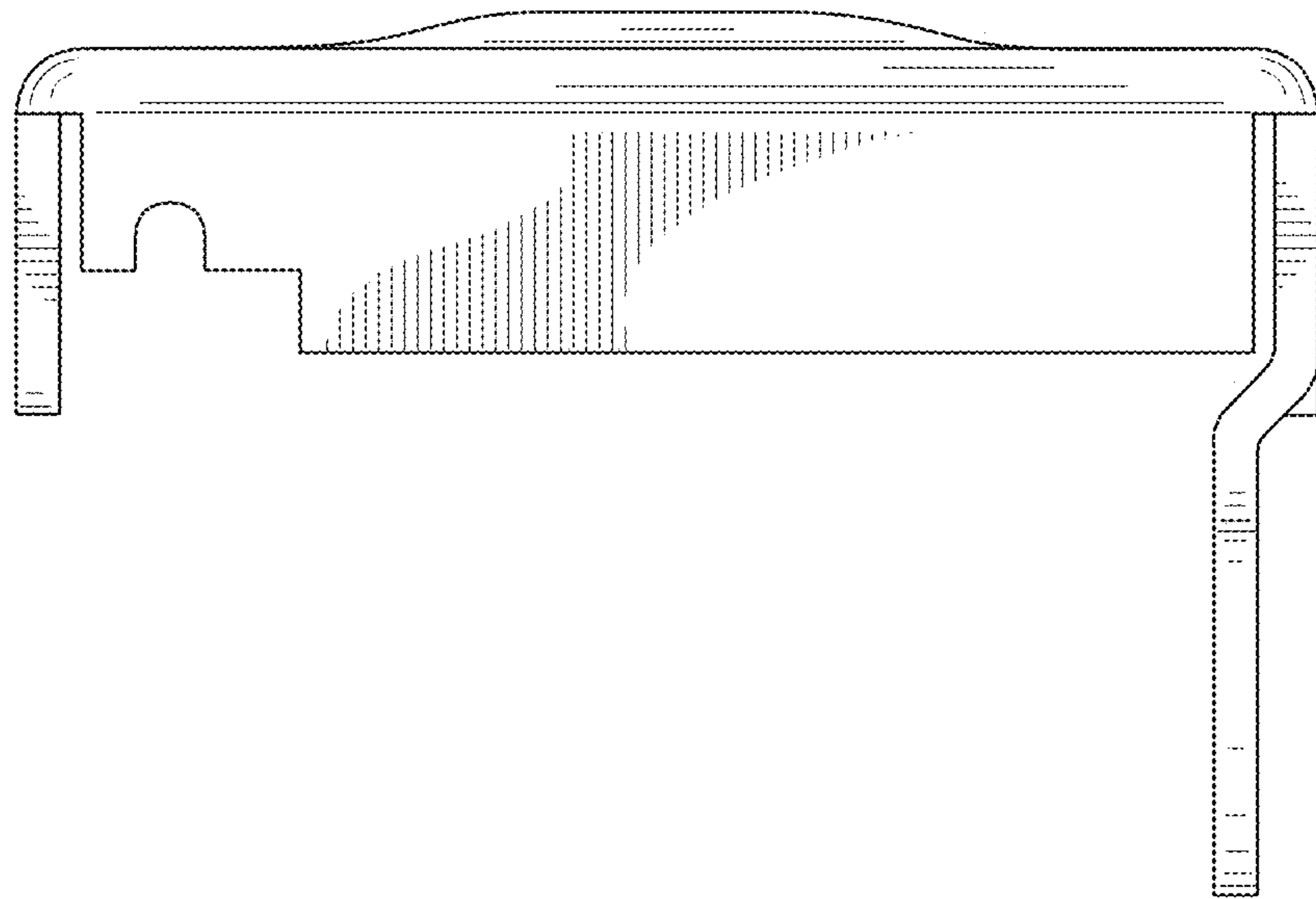


FIG. 3

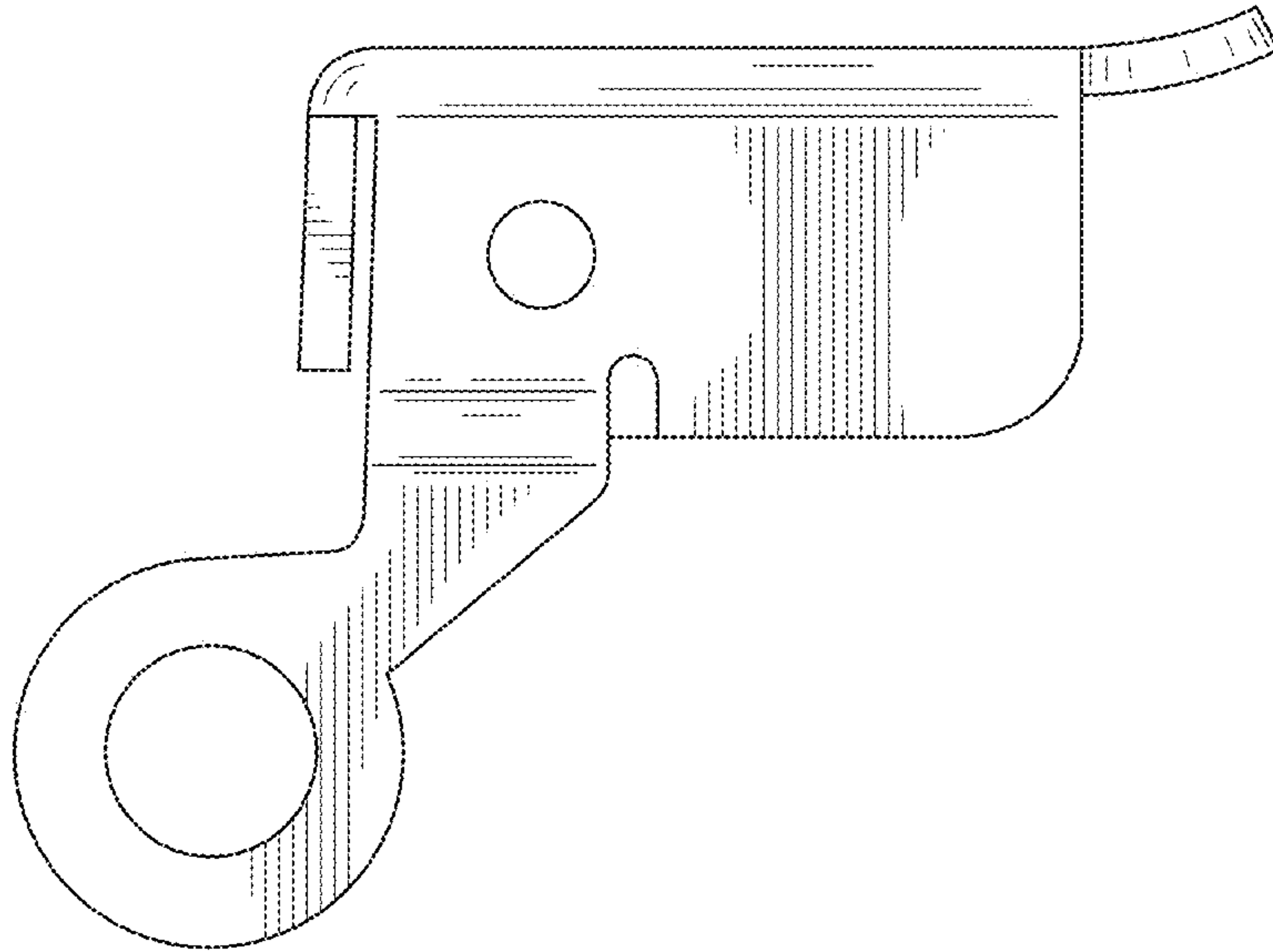


FIG. 4

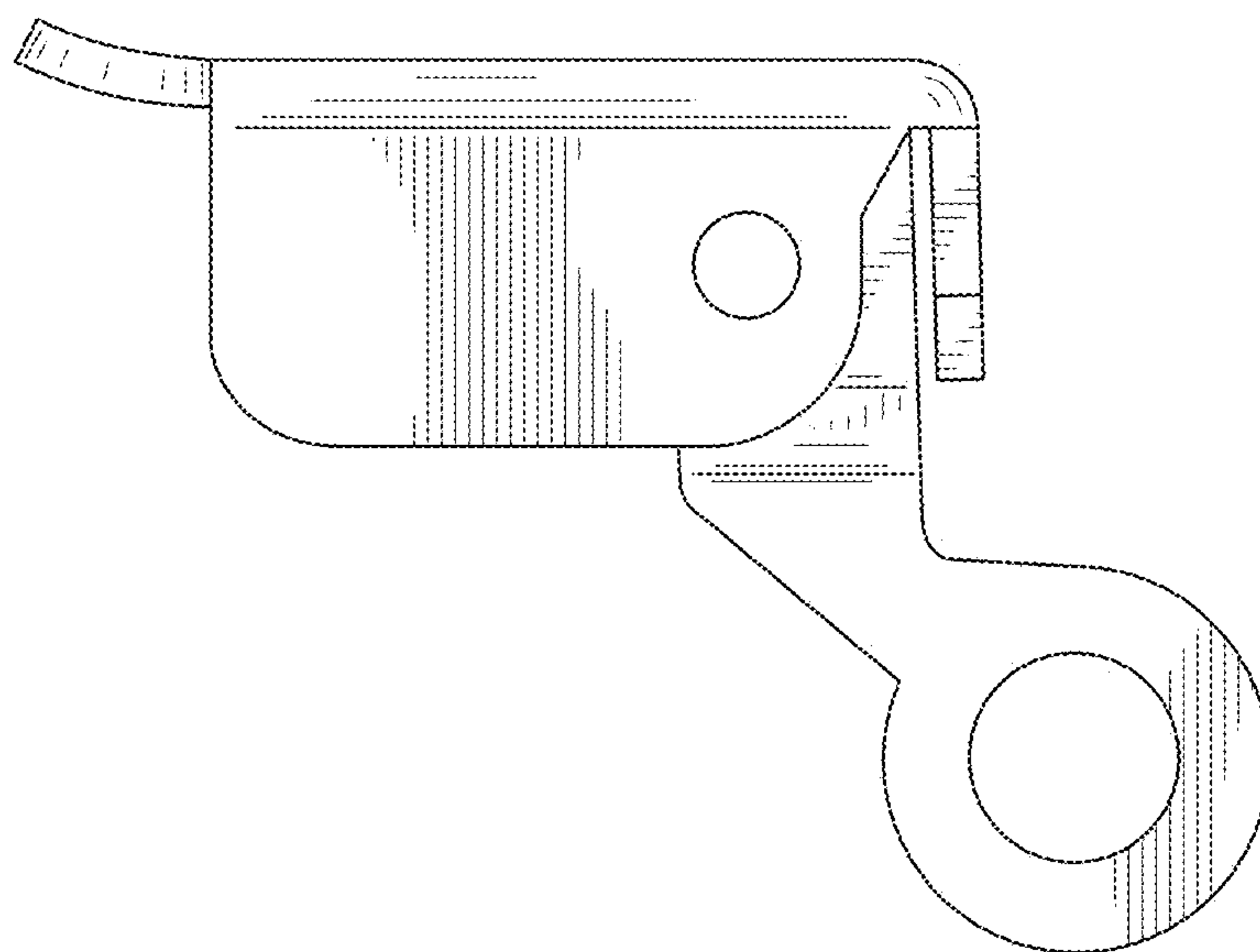


FIG. 5

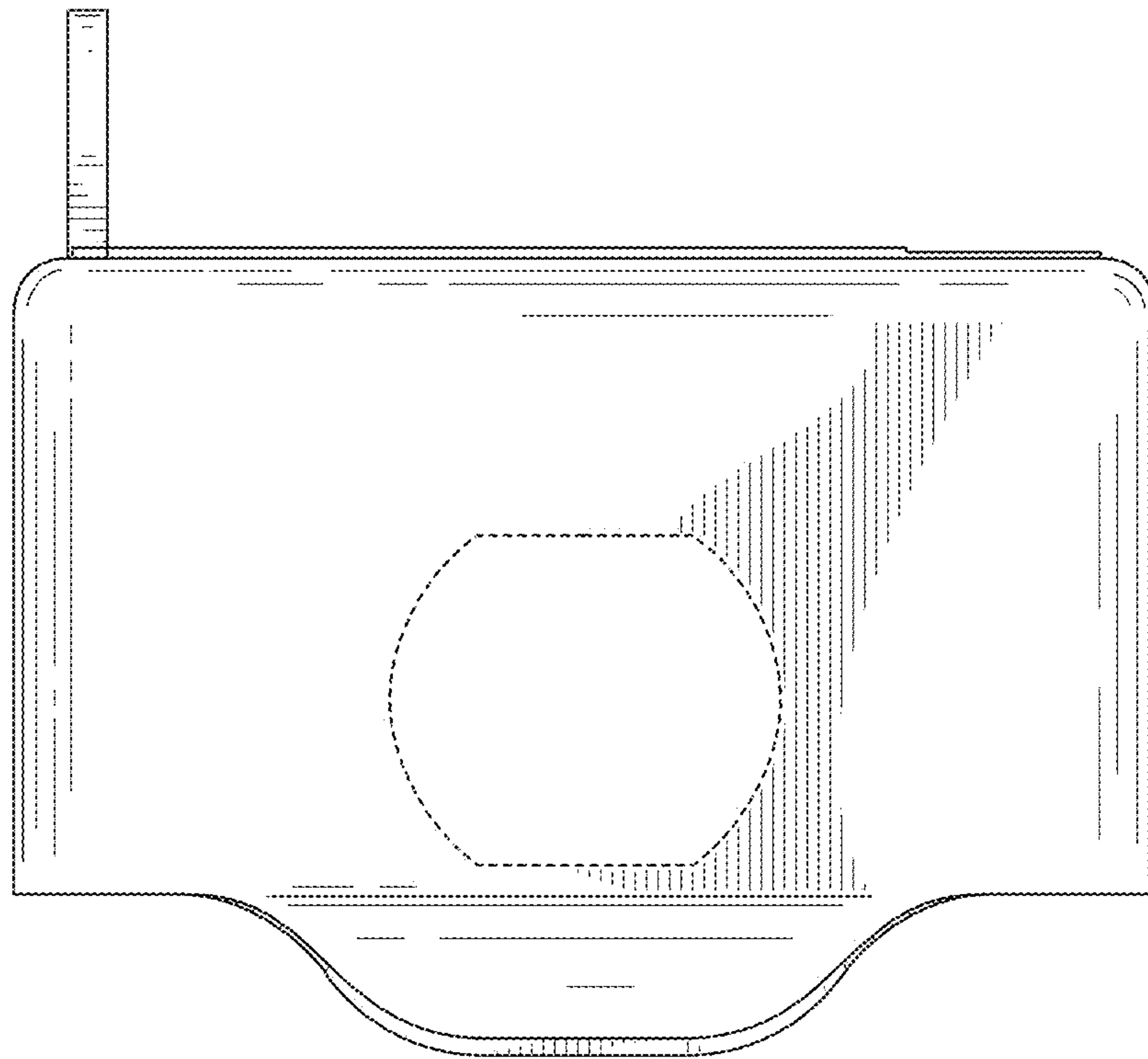


FIG. 6

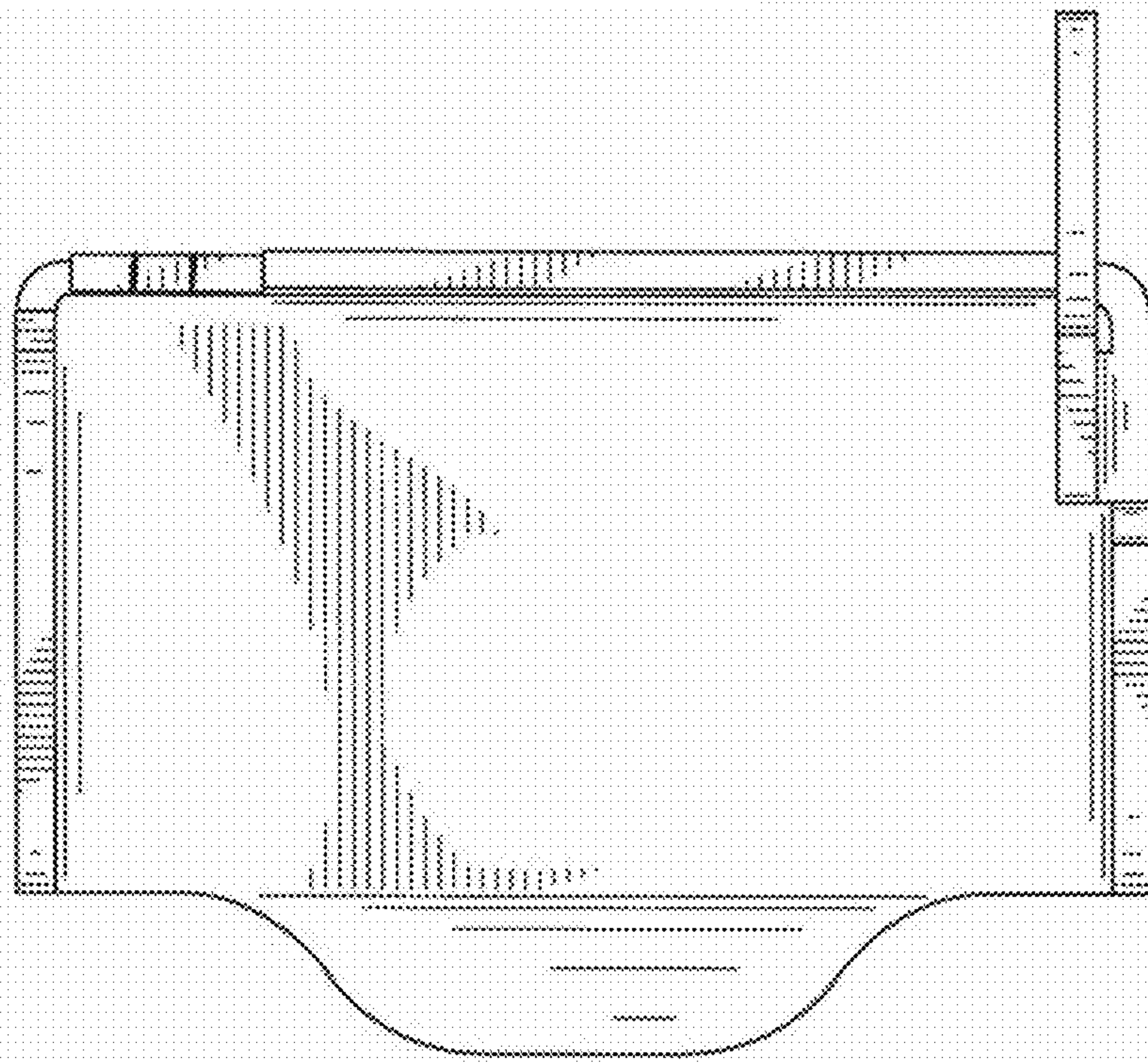


FIG. 7

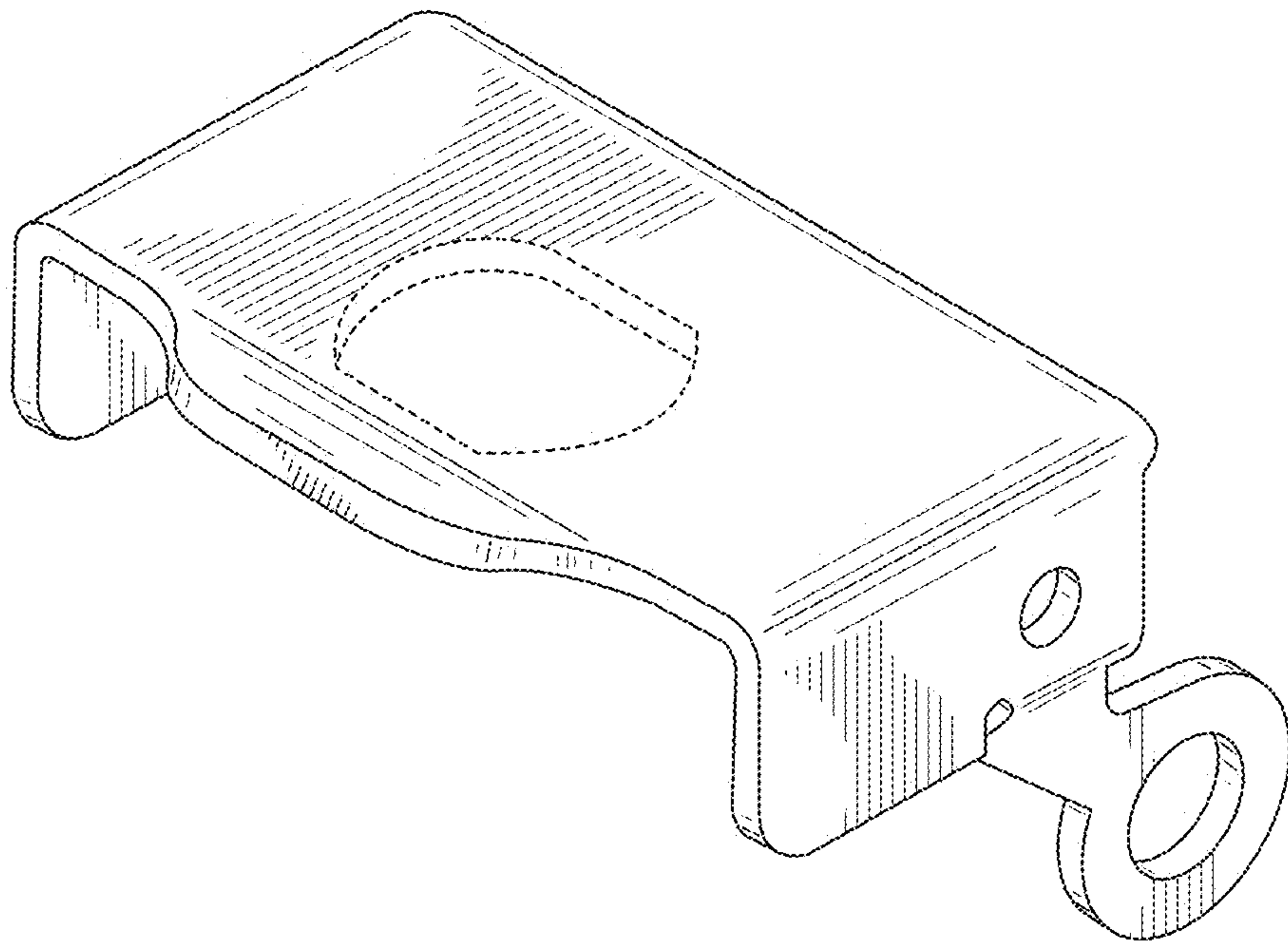


FIG. 8