

US00D759453S

(12) **United States Design Patent**
Payne

(10) **Patent No.:** **US D759,453 S**
(45) **Date of Patent:** **** Jun. 21, 2016**

(54) **WIRE CUTTER AND STRIPPER**
(71) Applicant: **Southwire Company, LLC**, Carrollton, GA (US)
(72) Inventor: **John Lawrence Payne**, Newnan, GA (US)
(73) Assignee: **Southwire Company, LLC**, Carrollton, GA (US)

(**) Term: **14 Years**

(21) Appl. No.: **29/504,895**

(22) Filed: **Oct. 10, 2014**

(51) **LOC (10) Cl.** **08-05**

(52) **U.S. Cl.**
USPC **D8/56**

(58) **Field of Classification Search**
USPC D8/51, 52, 56, 57
CPC . H02G 1/1212; H02G 1/1214; H02G 1/1217;
H02G 1/1224; H02G 1/1229
See application file for complete search history.

(56) **References Cited**

U.S. PATENT DOCUMENTS

848,966 A * 4/1907 Carlson B26B 13/16
30/232
D152,374 S * 1/1949 Score D8/56
D194,003 S * 11/1962 Peters 606/147
D237,453 S * 11/1975 Perrino D8/56

5,435,029 A * 7/1995 Carlson, Jr. H02G 1/1292
140/123
D415,940 S * 11/1999 Hollingsworth D8/56
6,192,588 B1 * 2/2001 Krampe H02G 1/1214
30/90.6
6,324,945 B1 * 12/2001 Lo H01R 9/035
30/90.1
D457,400 S * 5/2002 Chai D8/5
D483,239 S * 12/2003 Sprouse D8/57
D608,171 S * 1/2010 Trewartha D8/50
7,918,148 B2 * 4/2011 Lin H02G 1/1229
30/90.6
2013/0326882 A1 * 12/2013 Harvey H02G 1/1214
30/91.2

* cited by examiner

Primary Examiner — Deanna L Pratt

(74) *Attorney, Agent, or Firm* — Hartman & Citrin LLC

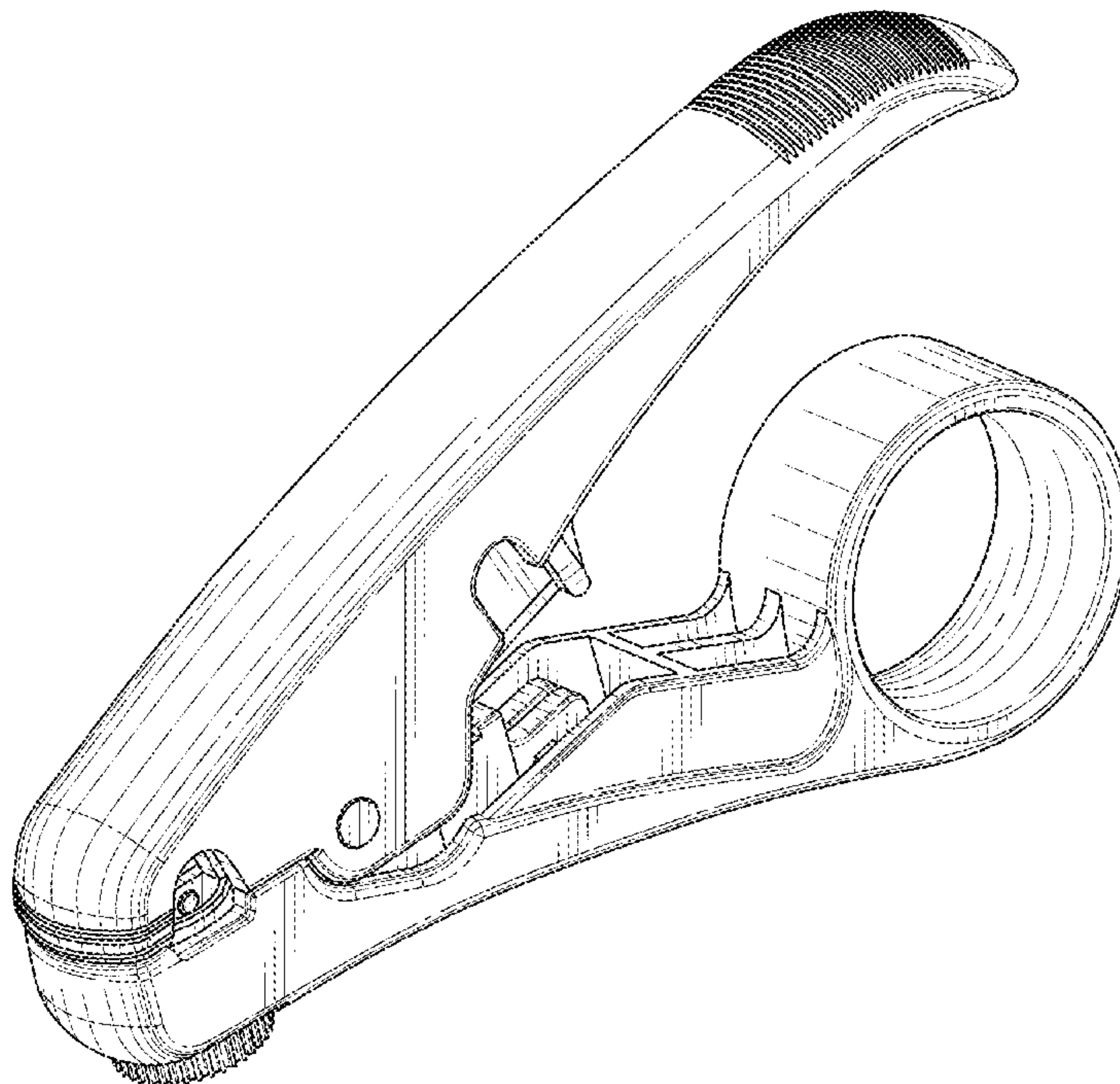
(57) **CLAIM**

The ornamental design for a wire cutter and stripper, as shown and described.

DESCRIPTION

FIG. 1 is a perspective view of an embodiment of a wire cutter and stripper according to my design;
FIG. 2 is a front view thereof;
FIG. 3 is a rear view thereof;
FIG. 4 is a side view thereof;
FIG. 5 is a side view thereof;
FIG. 6 is a top view thereof; and,
FIG. 7 is a bottom view thereof.

1 Claim, 3 Drawing Sheets



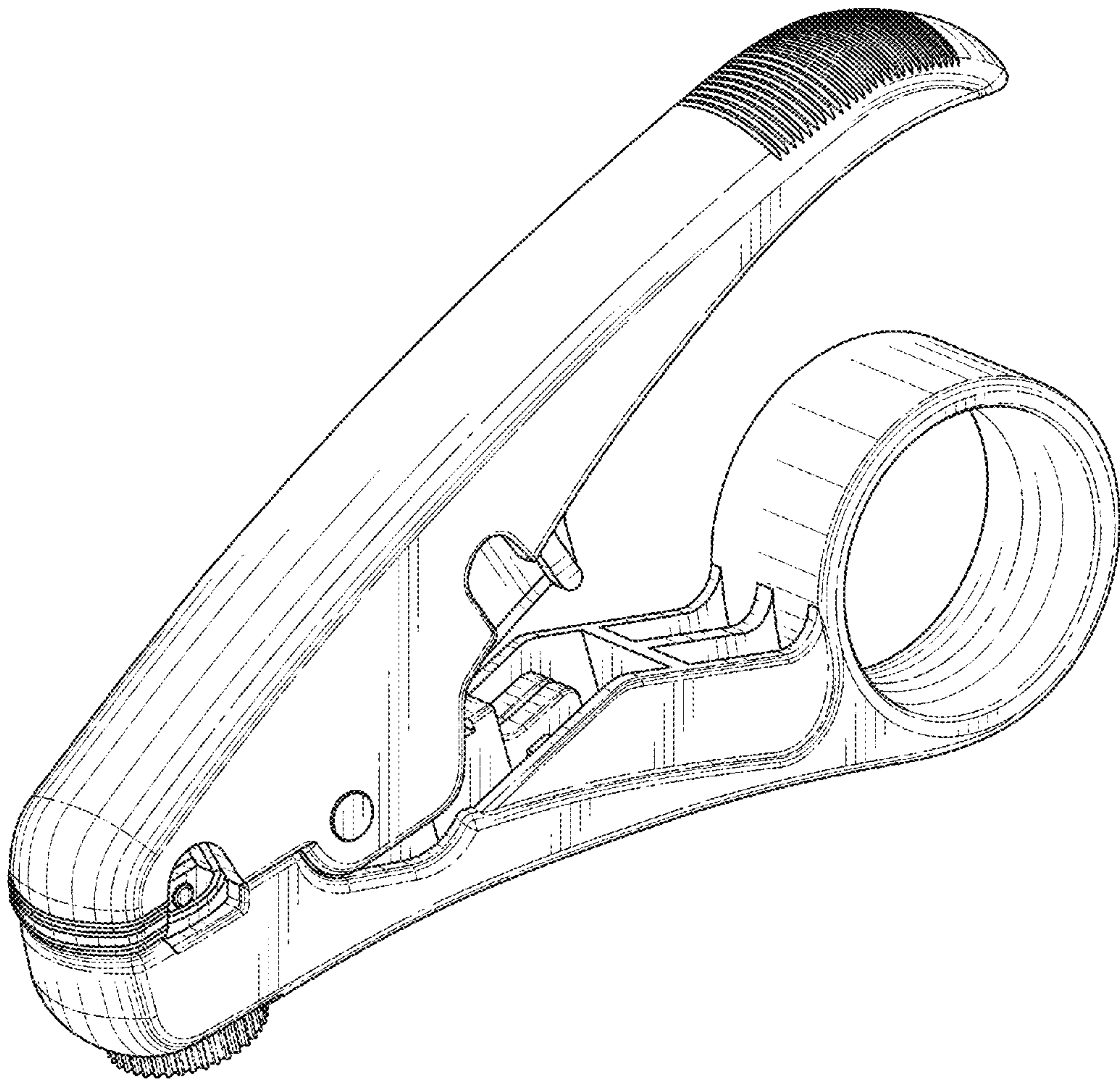


Figure 1

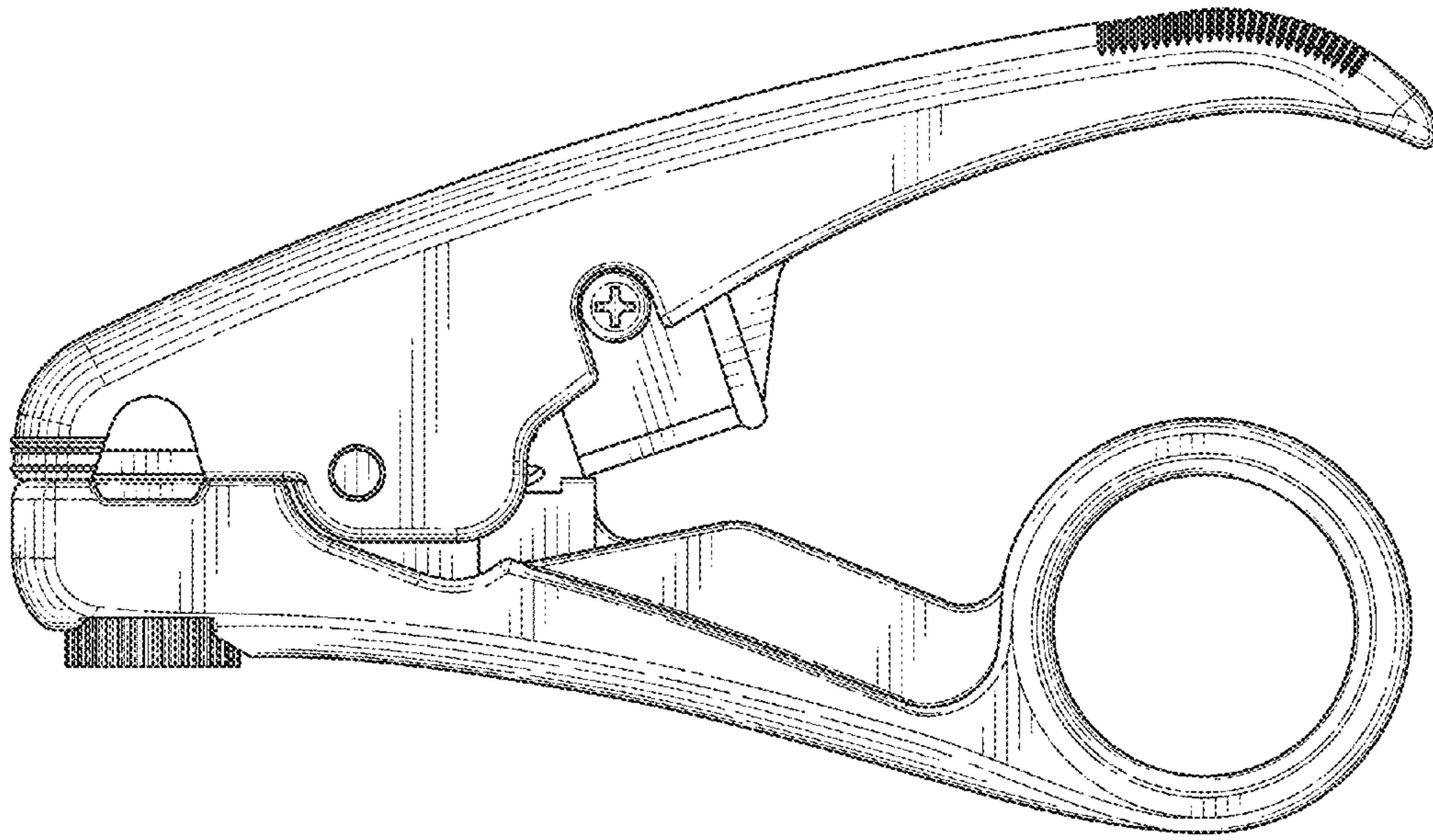


Figure 2

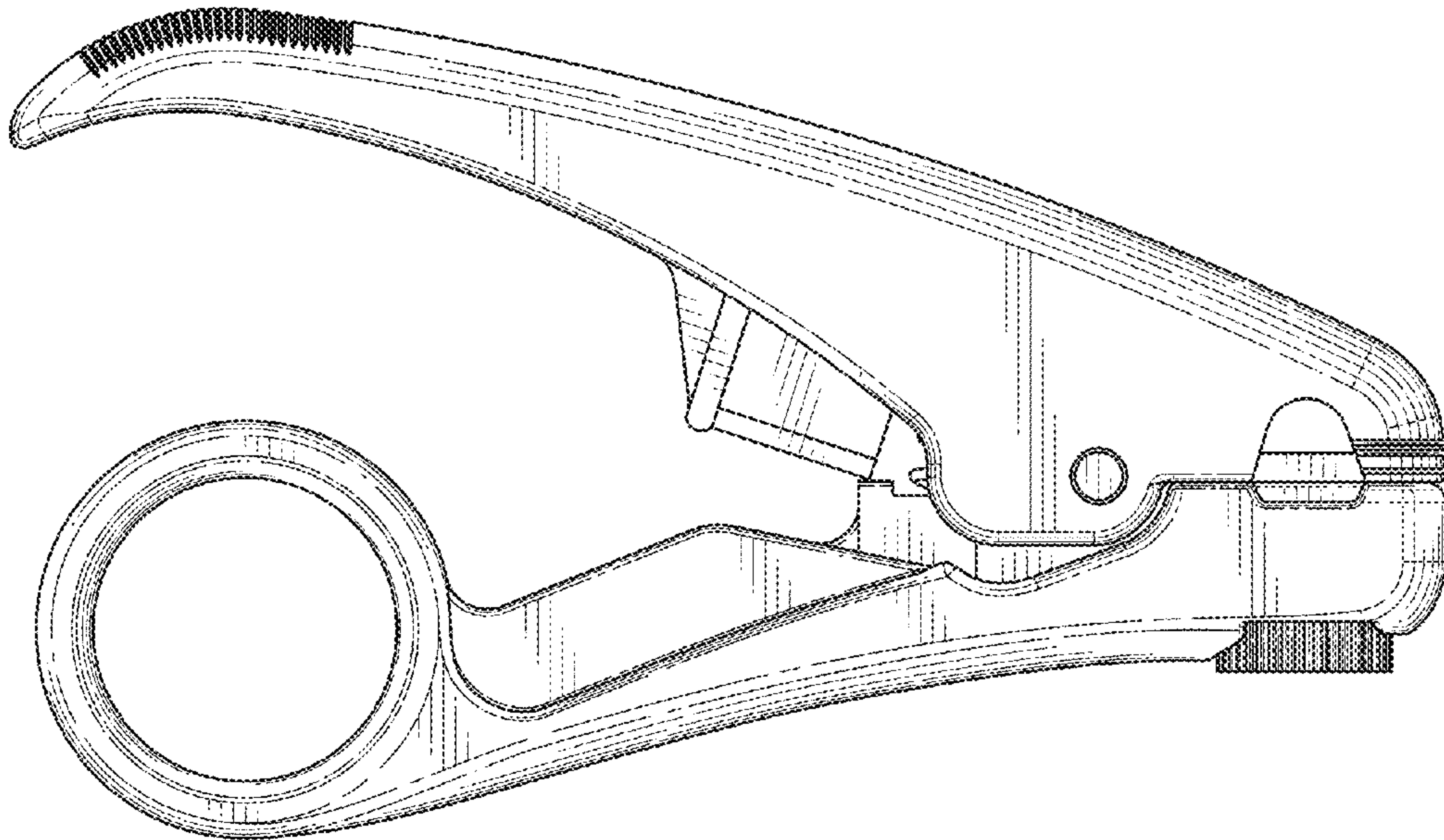


Figure 3

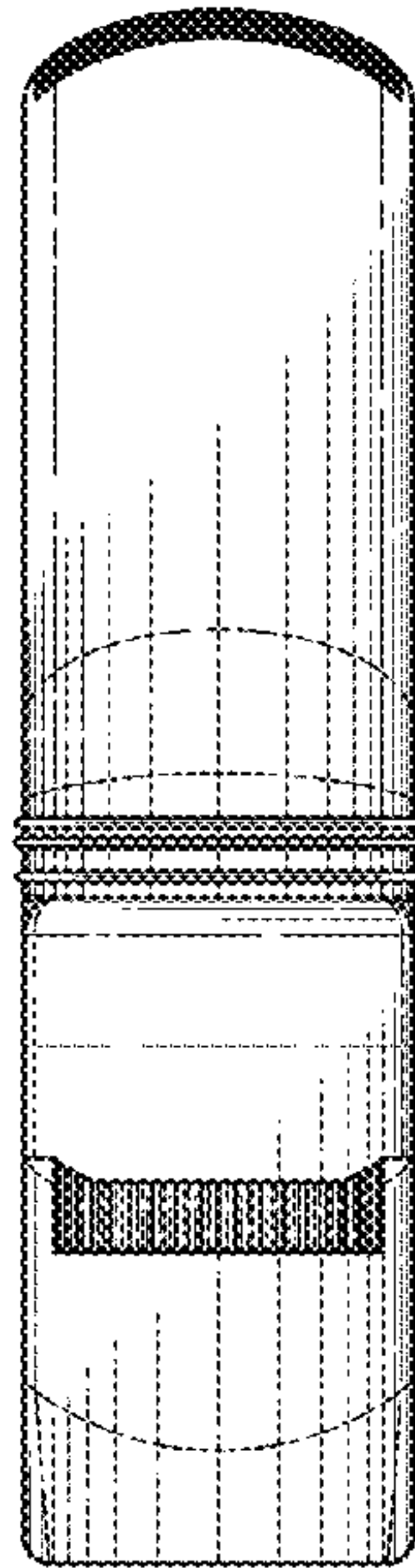


Figure 4

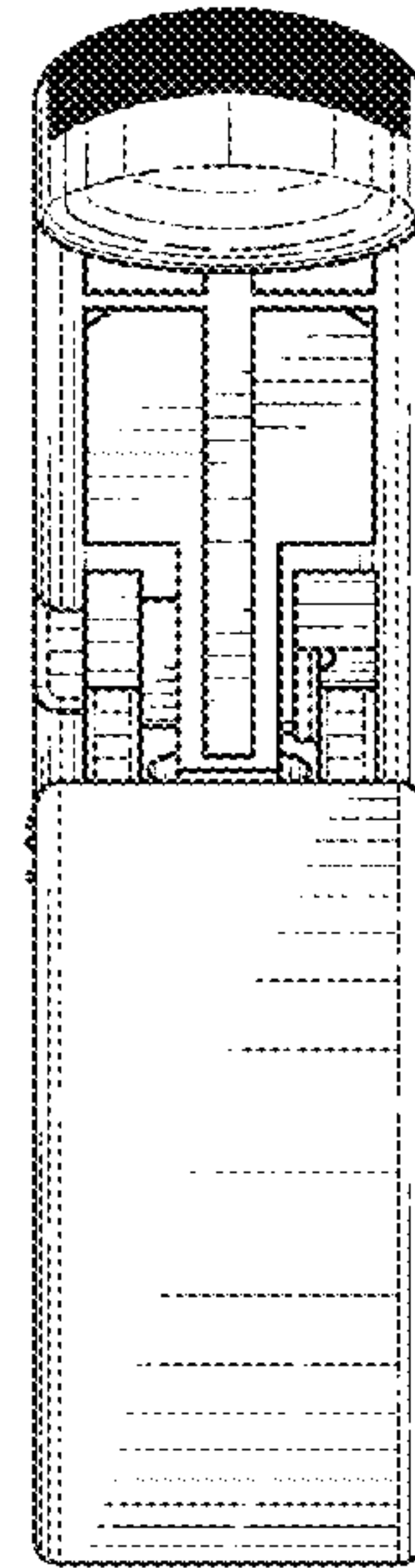


Figure 5

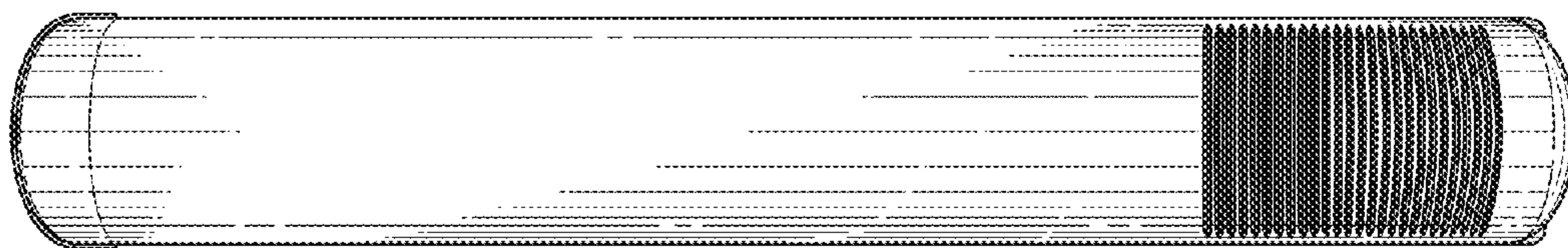


Figure 6

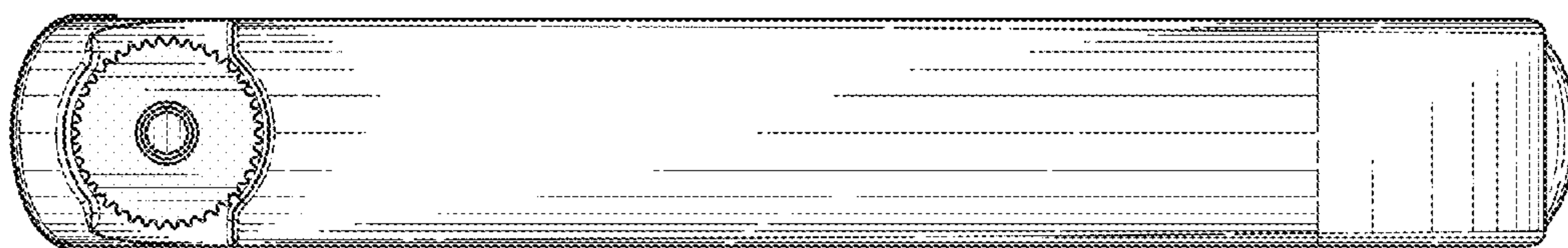


Figure 7