



US00D759451S

(12) **United States Design Patent**
Wong

(10) **Patent No.:** **US D759,451 S**
(45) **Date of Patent:** **** Jun. 21, 2016**

(54) **COMBO TIP PLIERS**
(71) Applicant: **Harry Wong**, South Pasadena, CA (US)
(72) Inventor: **Harry Wong**, South Pasadena, CA (US)
(**) Term: **14 Years**
(21) Appl. No.: **29/474,998**
(22) Filed: **Apr. 16, 2015**
(51) **LOC (10) Cl.** **08-05**
(52) **U.S. Cl.**
USPC **D8/52; D8/55**
(58) **Field of Classification Search**
USPC D8/4, 5, 51-60, 105, 107
CPC B25B 7/02; B25B 7/123; B25B 27/22;
B25B 5/068; B25B 5/163
See application file for complete search history.

6,772,658 B1 * 8/2004 Jasick B25B 7/02
81/418
7,104,166 B1 * 9/2006 Wong B25B 5/12
81/180.1
D571,631 S * 6/2008 Gandy, III D8/52
D605,917 S * 12/2009 Sands D22/150
7,942,083 B2 * 5/2011 Jordan B25B 7/02
29/227
D742,193 S * 11/2015 Blais D8/52
2003/0005798 A1 * 1/2003 Kuchar B25B 7/02
81/426
2006/0025863 A1 * 2/2006 Lamprich A61F 2/442
623/17.16
2007/0283791 A1 * 12/2007 Engvall B25B 7/10
81/367
2008/0073822 A1 * 3/2008 Wong B25B 5/142
269/41
2012/0051865 A1 * 3/2012 Liu B23B 47/28
408/108

* cited by examiner

Primary Examiner — Deanna L Pratt

(56) **References Cited**

U.S. PATENT DOCUMENTS

2,641,149 A * 6/1953 Petersen B25B 7/02
269/228
3,446,102 A * 5/1969 Hallmark B25B 7/02
81/369
4,519,278 A * 5/1985 Heldt B25B 7/00
81/124.4
4,850,254 A * 7/1989 Burney B25B 5/068
269/228
D342,877 S * 1/1994 Adamic D8/52
D366,818 S * 2/1996 McGarry D8/14
6,000,304 A * 12/1999 Hegemier B25B 7/123
59/7
6,000,686 A * 12/1999 Yates B25B 5/12
269/143
6,311,589 B1 * 11/2001 Schmitt B25B 7/02
269/902

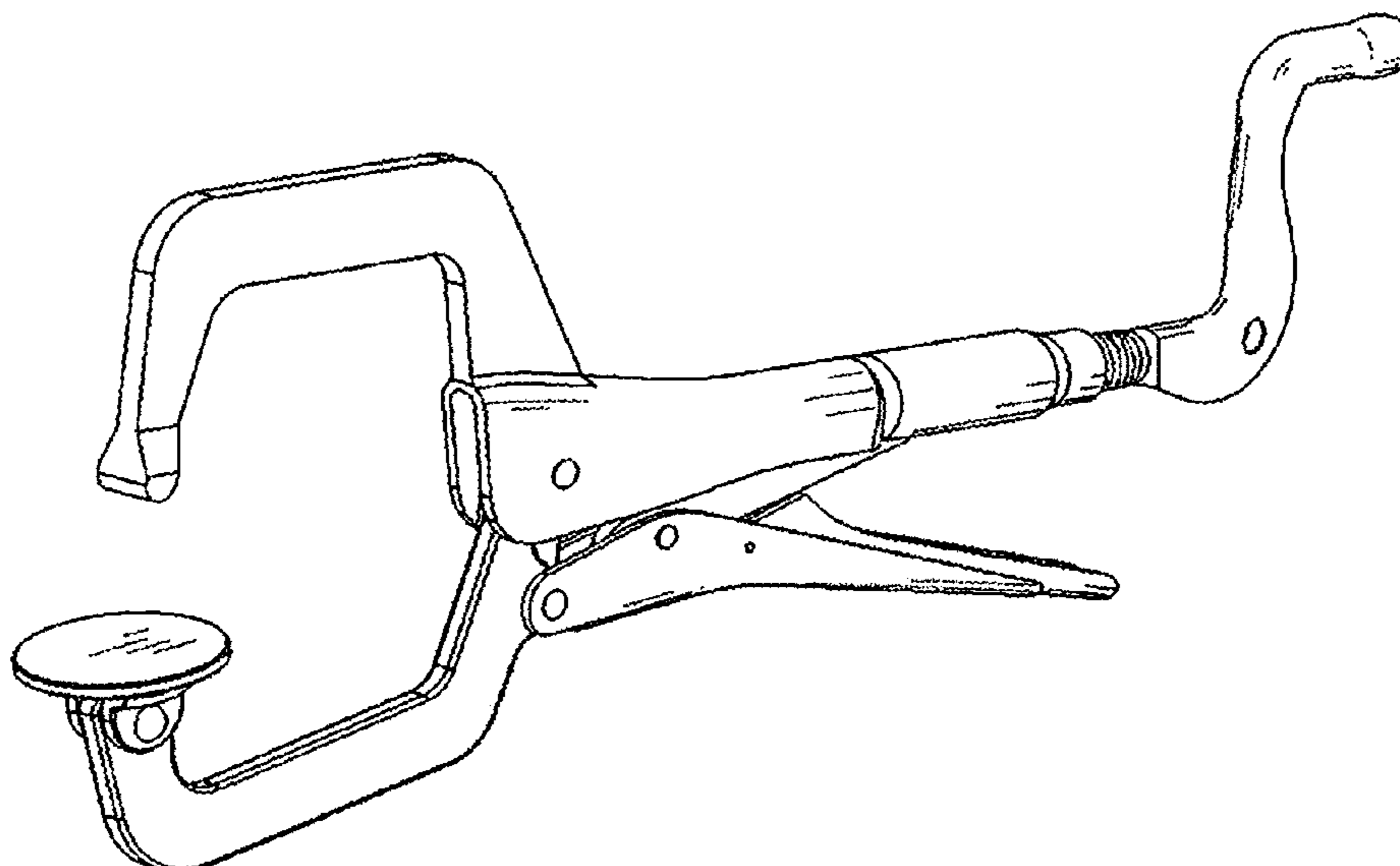
(57) **CLAIM**

The ornamental design for a combo tip pliers, as shown and described.

DESCRIPTION

FIG. 1 is a perspective view of a combo tip pliers showing the front, top, and left side of my new design;
FIG. 2 is a perspective view showing the front, top, and right side thereof;
FIG. 3 is a front elevation view thereof;
FIG. 4 is a rear elevation view thereof;
FIG. 5 is a left side elevation view thereof;
FIG. 6 is a right side elevation view thereof;
FIG. 7 is a top plan view thereof; and,
FIG. 8 is a bottom plan view thereof.

1 Claim, 5 Drawing Sheets



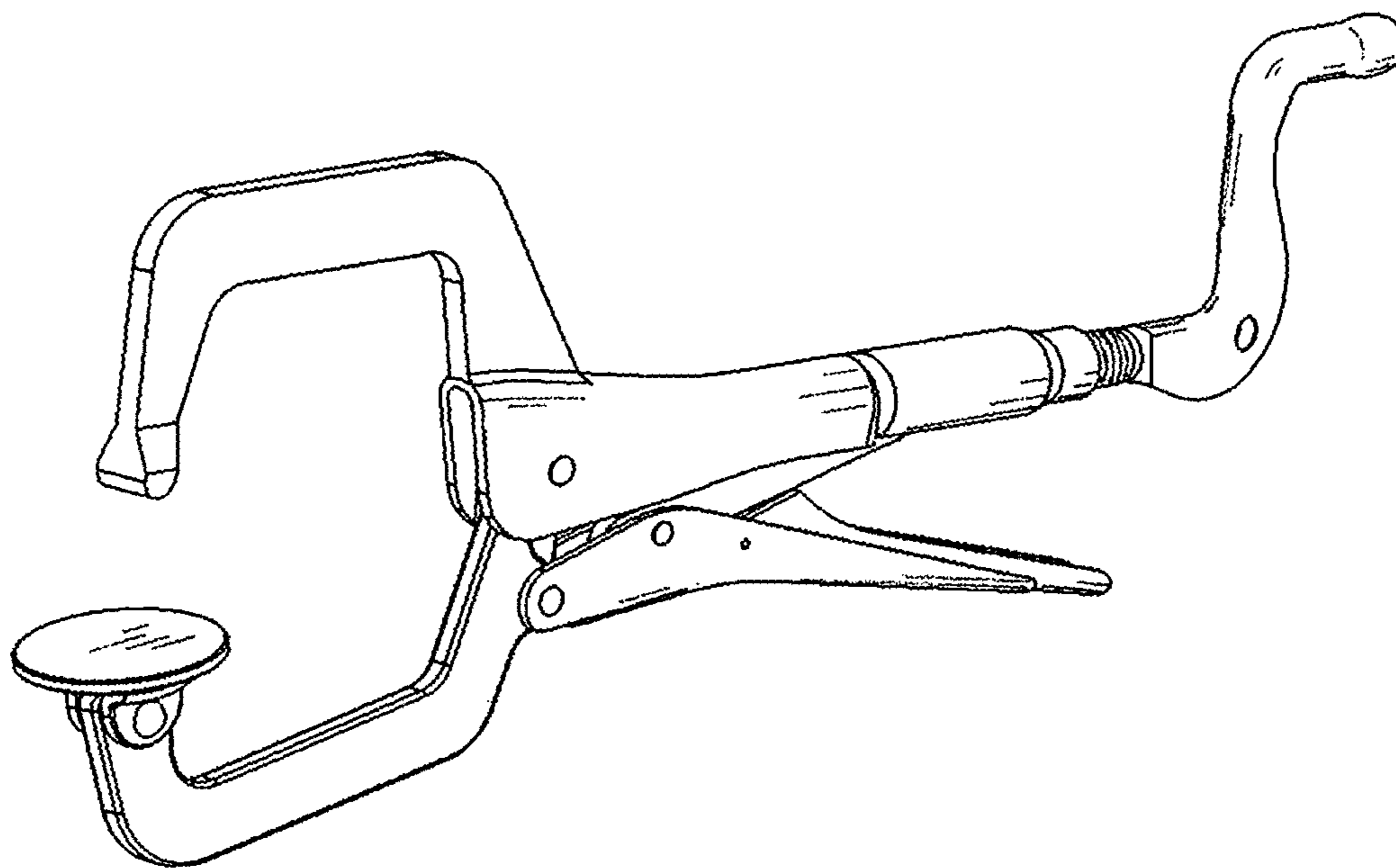


FIG. 1

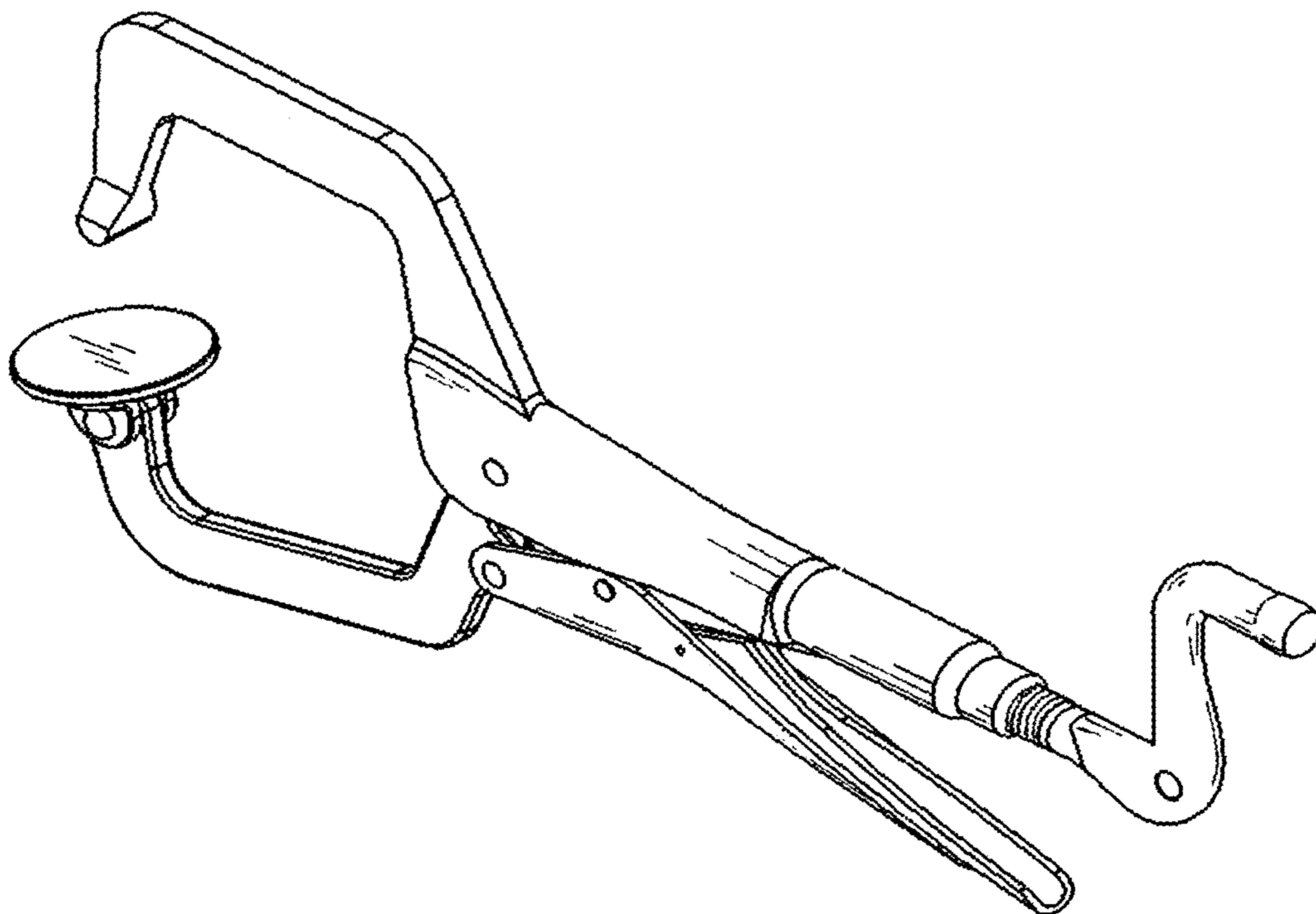


FIG. 2

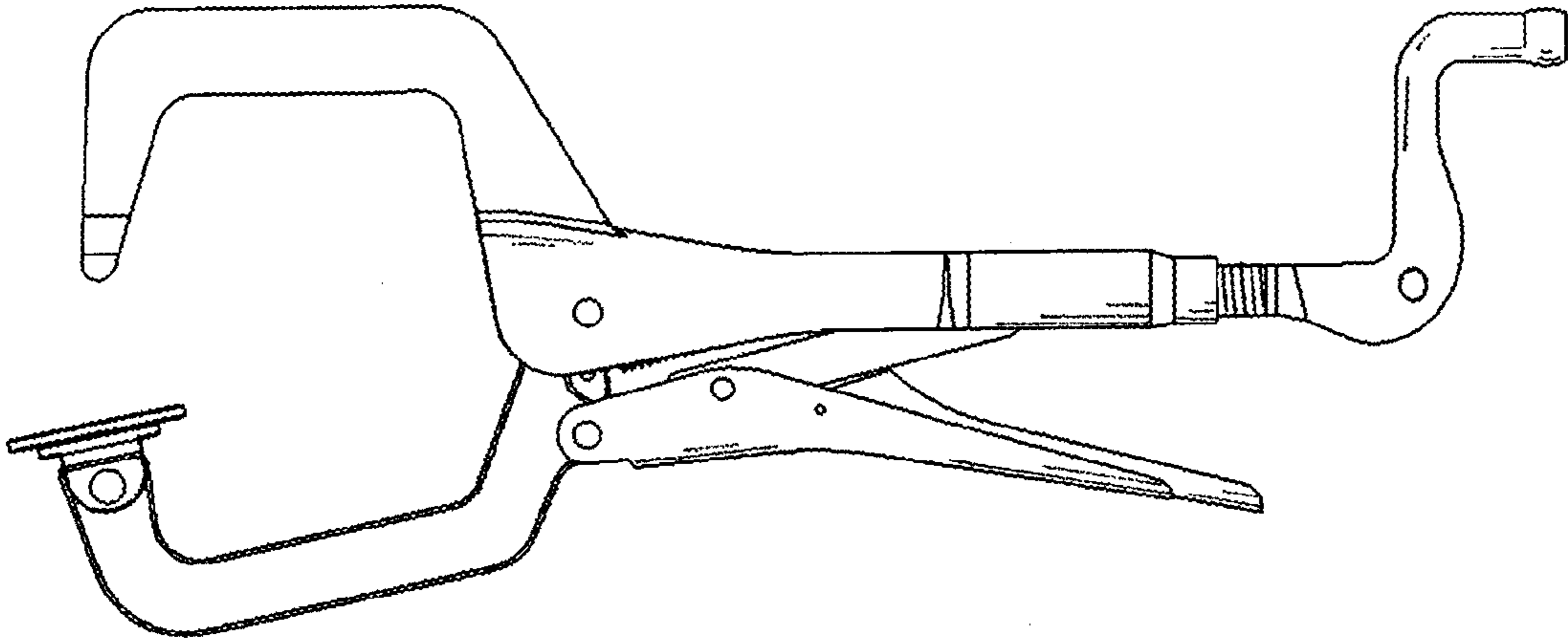


FIG. 3

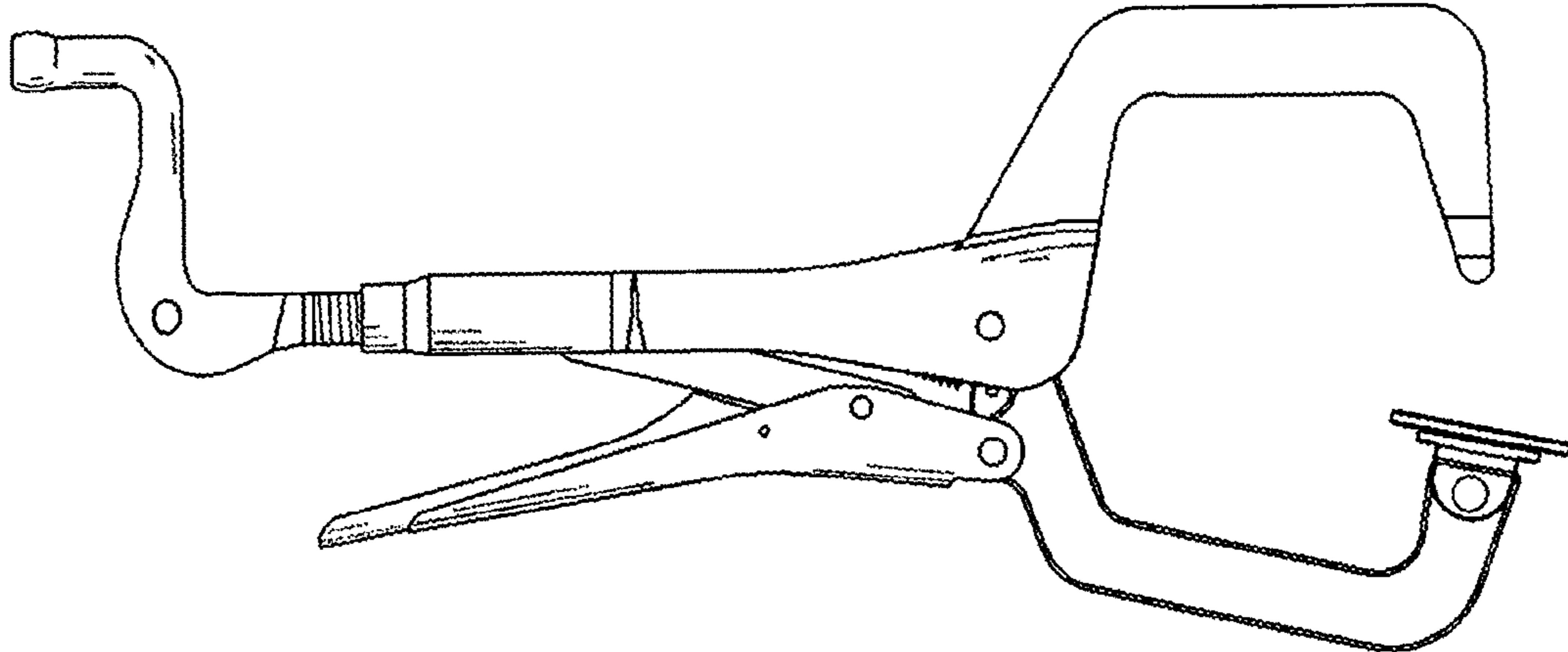


FIG. 4

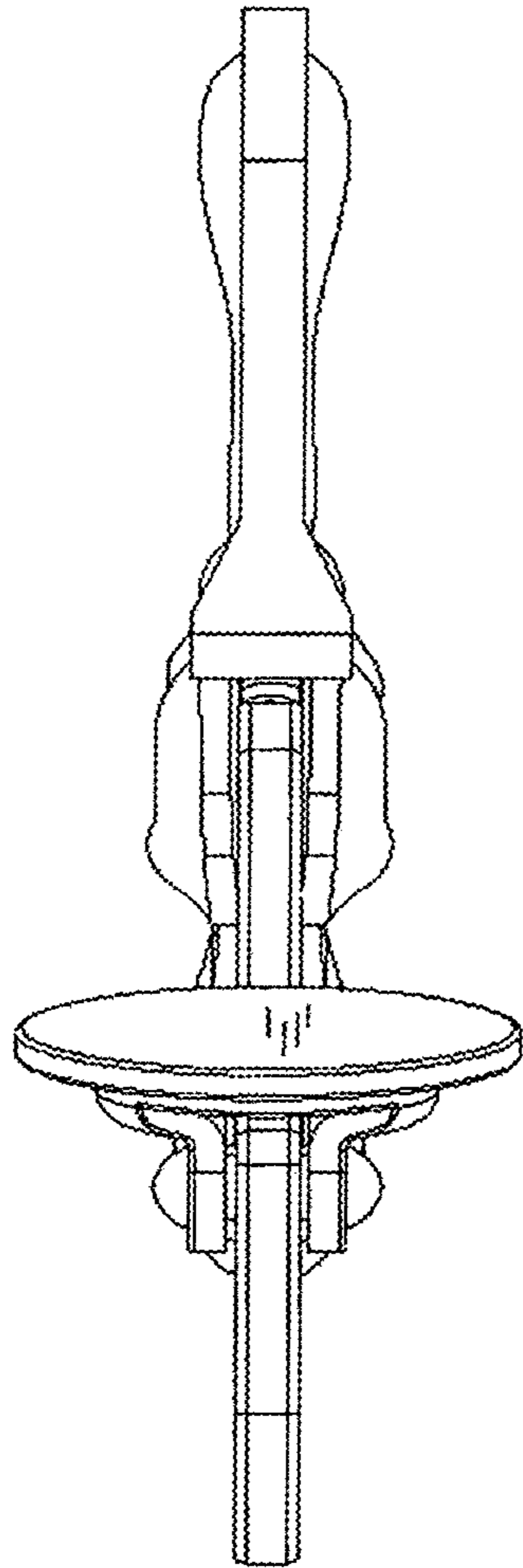


FIG. 5

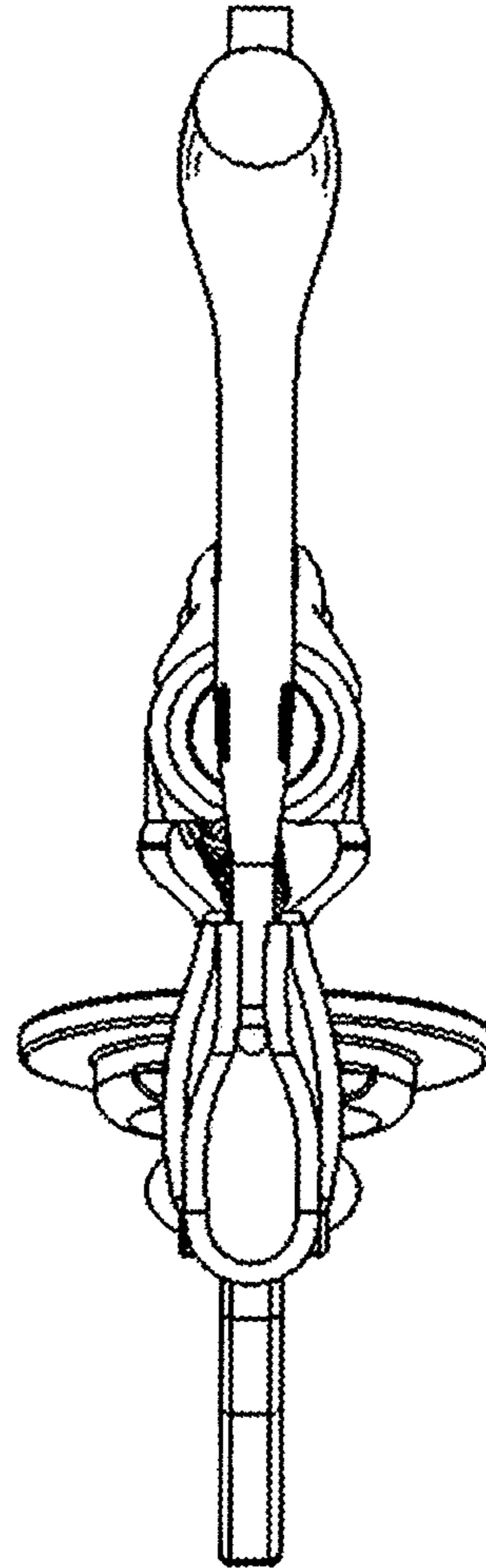


FIG. 6

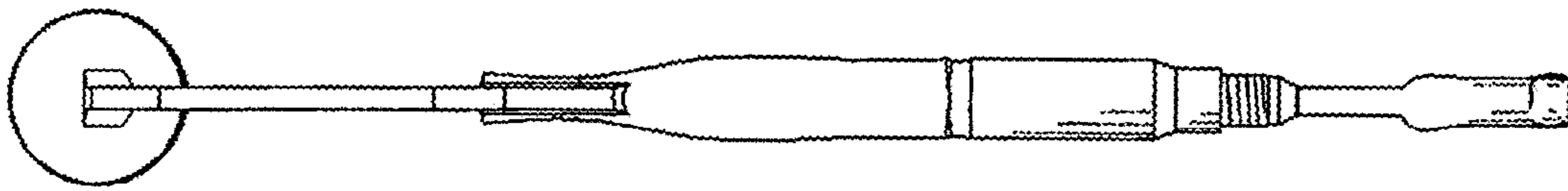


FIG. 7

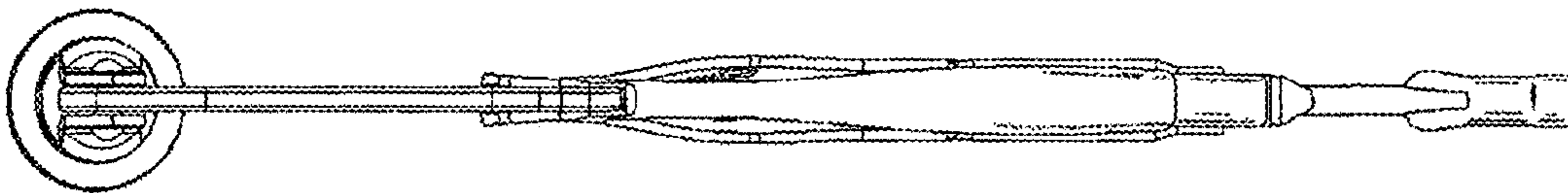


FIG. 8