



US00D759450S

(12) **United States Design Patent**
Harrington

(10) **Patent No.:** **US D759,450 S**
(45) **Date of Patent:** **** Jun. 21, 2016**

- (54) **FINISHING TOOL**
- (71) Applicant: **Unger Marketing International, LLC**,
Bridgeport, CT (US)
- (72) Inventor: **William Harrington**, Charlestown, RI
(US)
- (73) Assignee: **Unger Marketing International, LLC**,
Bridgeport, CT (US)
- (**) Term: **14 Years**

D527,974 S *	9/2006	Petersen	D8/90
7,264,541 B1 *	9/2007	Ray	B24D 15/023 451/344
D556,406 S *	11/2007	Murphy, Jr.	D32/40
D574,566 S *	8/2008	Byrne	D32/50
7,485,031 B1 *	2/2009	Stubbs	B24B 7/184 451/523
D621,236 S *	8/2010	Bahler	D8/45
D622,017 S *	8/2010	Murphy, Jr.	D32/40
D629,983 S *	12/2010	Sgroi, Jr.	D32/40
D634,906 S *	3/2011	Sgroi	D32/40
D656,808 S *	4/2012	Arvinte	D8/90
D658,837 S *	5/2012	Ediger	D32/50
D671,287 S *	11/2012	Patterson	D32/40
D716,009 S *	10/2014	Piksa	D32/40

- (21) Appl. No.: **29/514,329**
- (22) Filed: **Jan. 12, 2015**
- (51) **LOC (10) Cl.** **08-05**
- (52) **U.S. Cl.**
USPC **D8/45**
- (58) **Field of Classification Search**
USPC D8/14, 45, 90, 94; 15/235.7, 235.8,
15/245.1; 425/87, 458; D32/40, 46, 48-49
CPC B05C 17/00; B05C 17/00503; B05C
17/00516; B05C 17/00589; B05C 17/10;
B24B 7/184; B24D 15/023; B24D 15/04;
E04F 21/00; E04F 21/02; E04F 21/06; E04F
21/32; E04F 21/165; E04F 21/1655
See application file for complete search history.

* cited by examiner

Primary Examiner — Philip S Hyder

Assistant Examiner — Roselynn Cody

(74) *Attorney, Agent, or Firm* — Ohlandt, Greeley, Ruggiero
& Perle, LLP

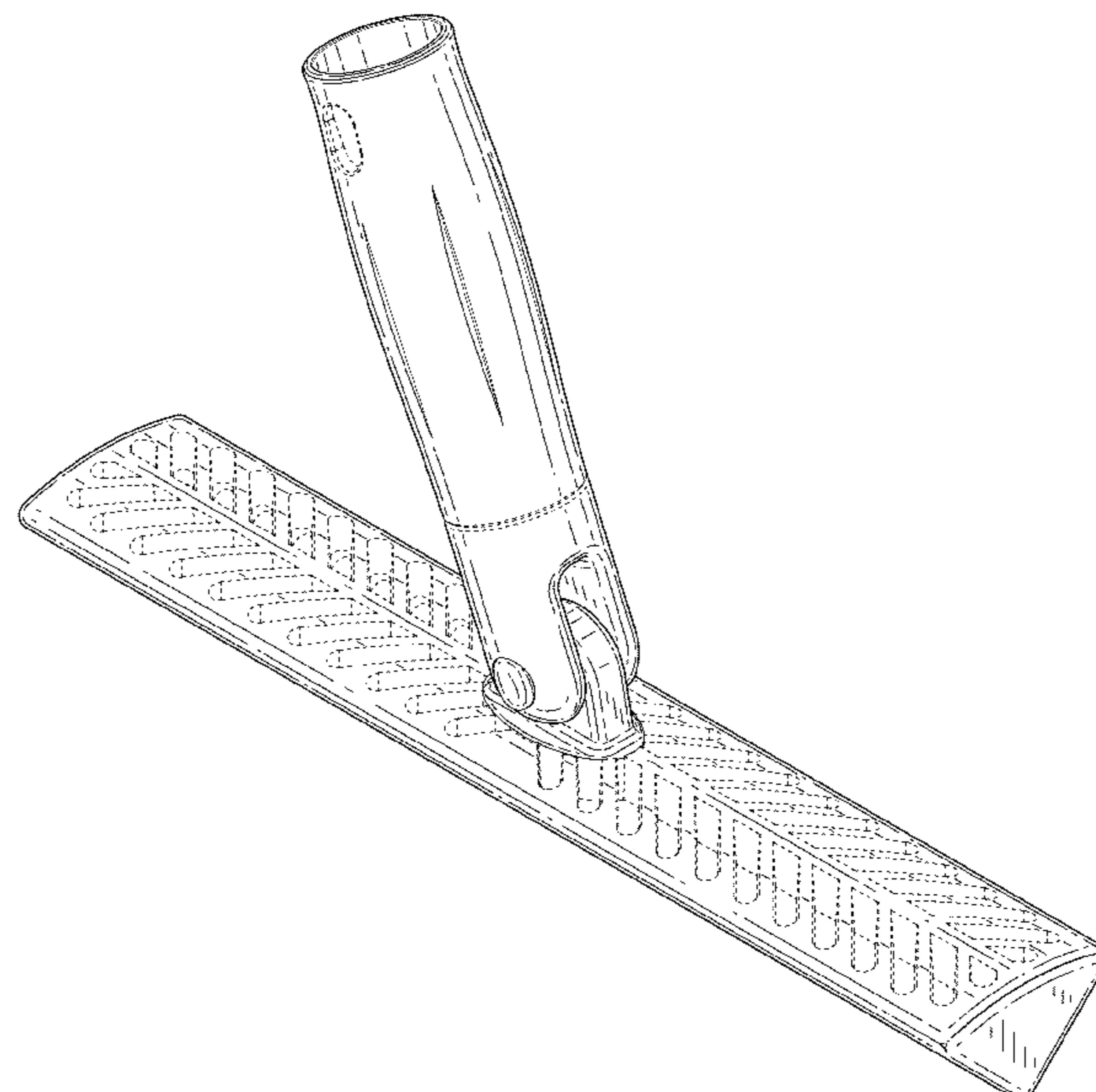
- (56) **References Cited**
U.S. PATENT DOCUMENTS
D134,265 S * 11/1942 Manca D8/45
3,279,130 A * 10/1966 Nelson B24D 15/023
15/231
4,825,597 A * 5/1989 Matechuk B24D 15/04
15/244.2
6,325,708 B1 * 12/2001 Miles B24D 15/023
451/344
D497,092 S * 10/2004 McCarthy D32/40

(57) **CLAIM**
The ornamental design for the finishing tool, as shown and
described.

DESCRIPTION

FIG. 1 is a top, front perspective view of a finishing tool
according to the present disclosure;
FIG. 2 is a front view of the finishing tool of FIG. 1;
FIG. 3 is a rear view of the finishing tool of FIG. 1;
FIG. 4 is a first side view of the finishing tool of FIG. 1;
FIG. 5 is a second, opposite side view of the finishing tool of
FIG. 1;
FIG. 6 is a top view of the finishing tool of FIG. 1; and,
FIG. 7 is a bottom view of the finishing tool of FIG. 1.
The broken lines in the drawings illustrating environmental
structure or boundaries that form no part of the claimed
design.

1 Claim, 5 Drawing Sheets



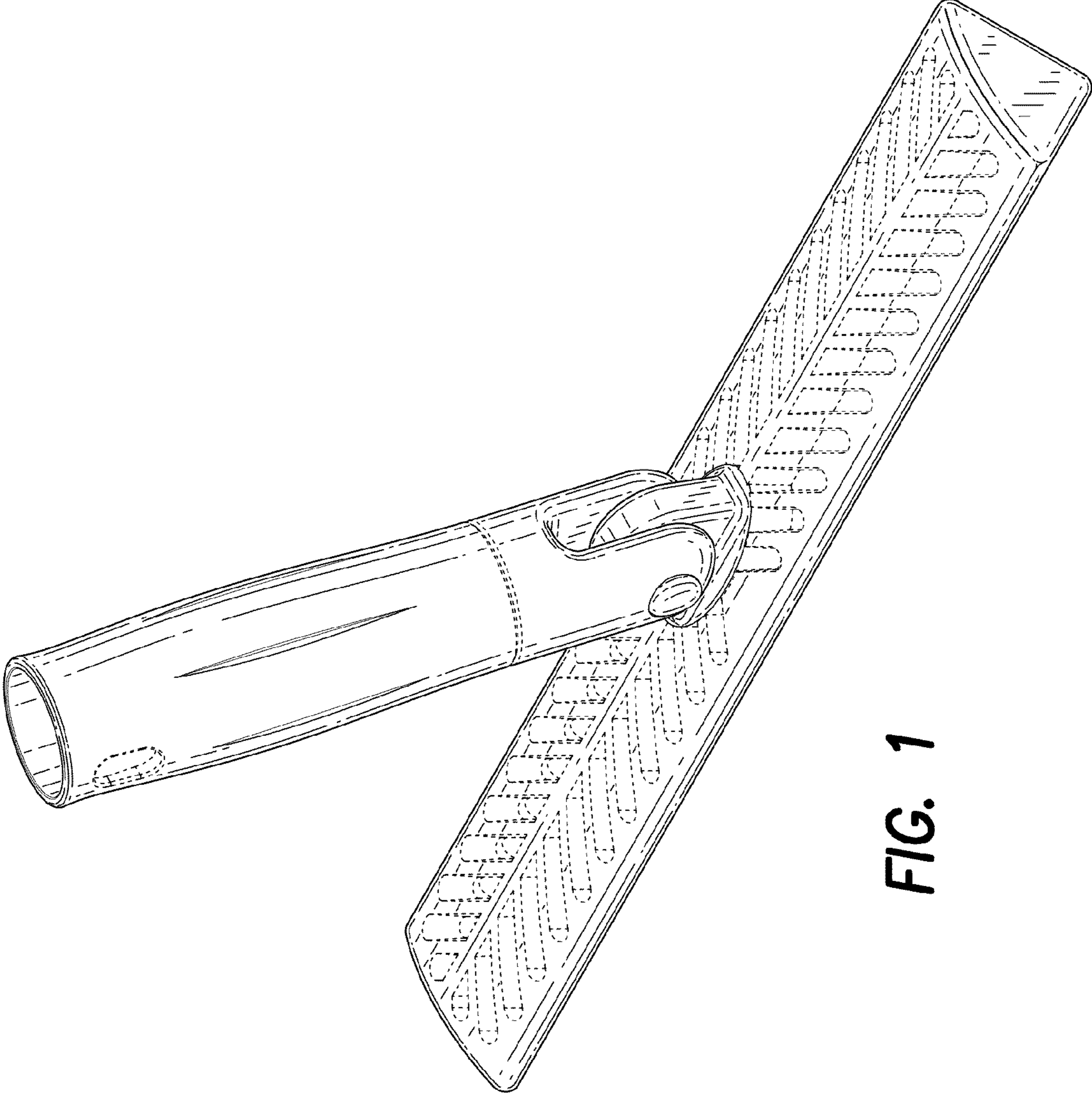


FIG. 1

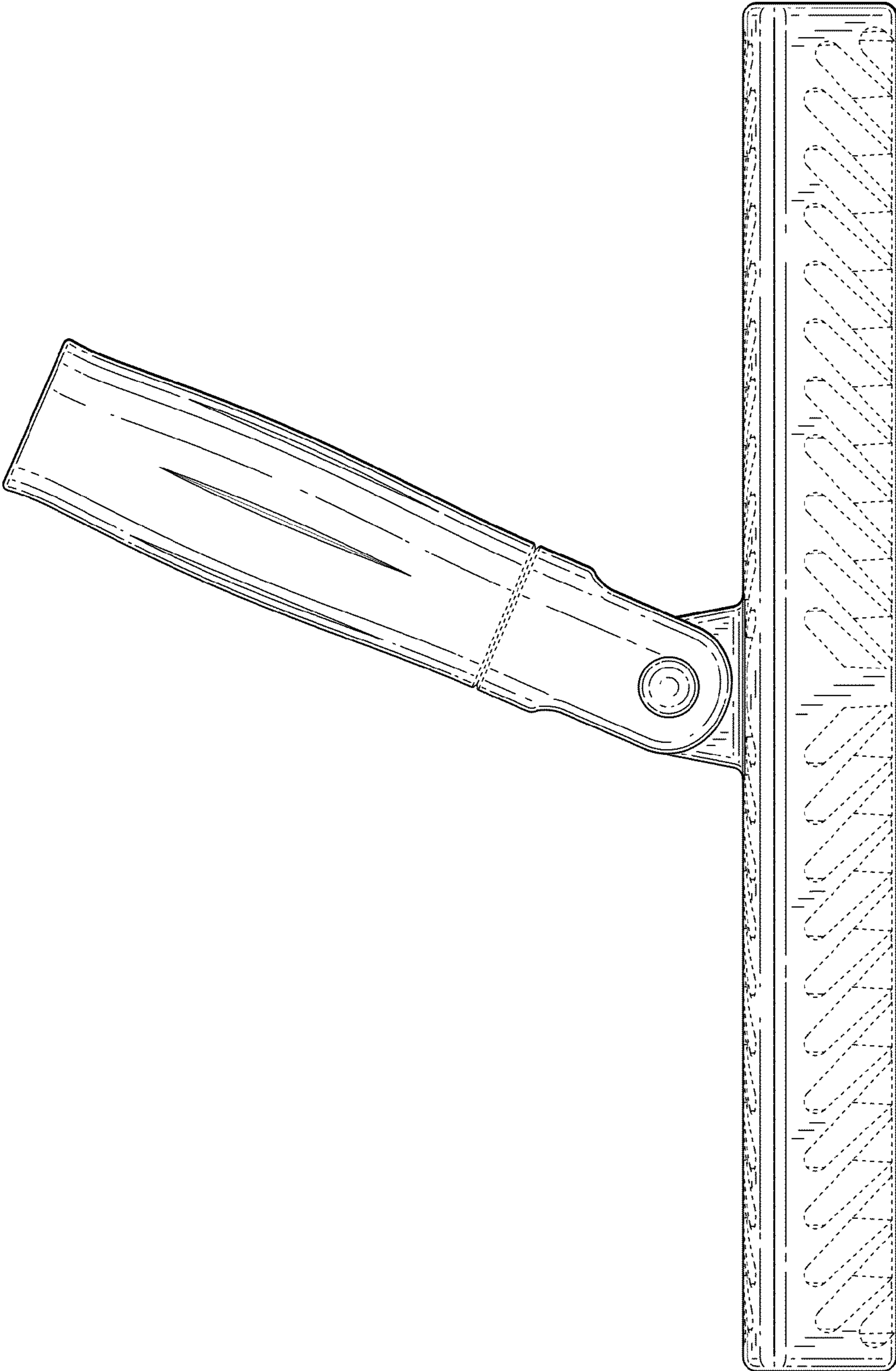


FIG. 2

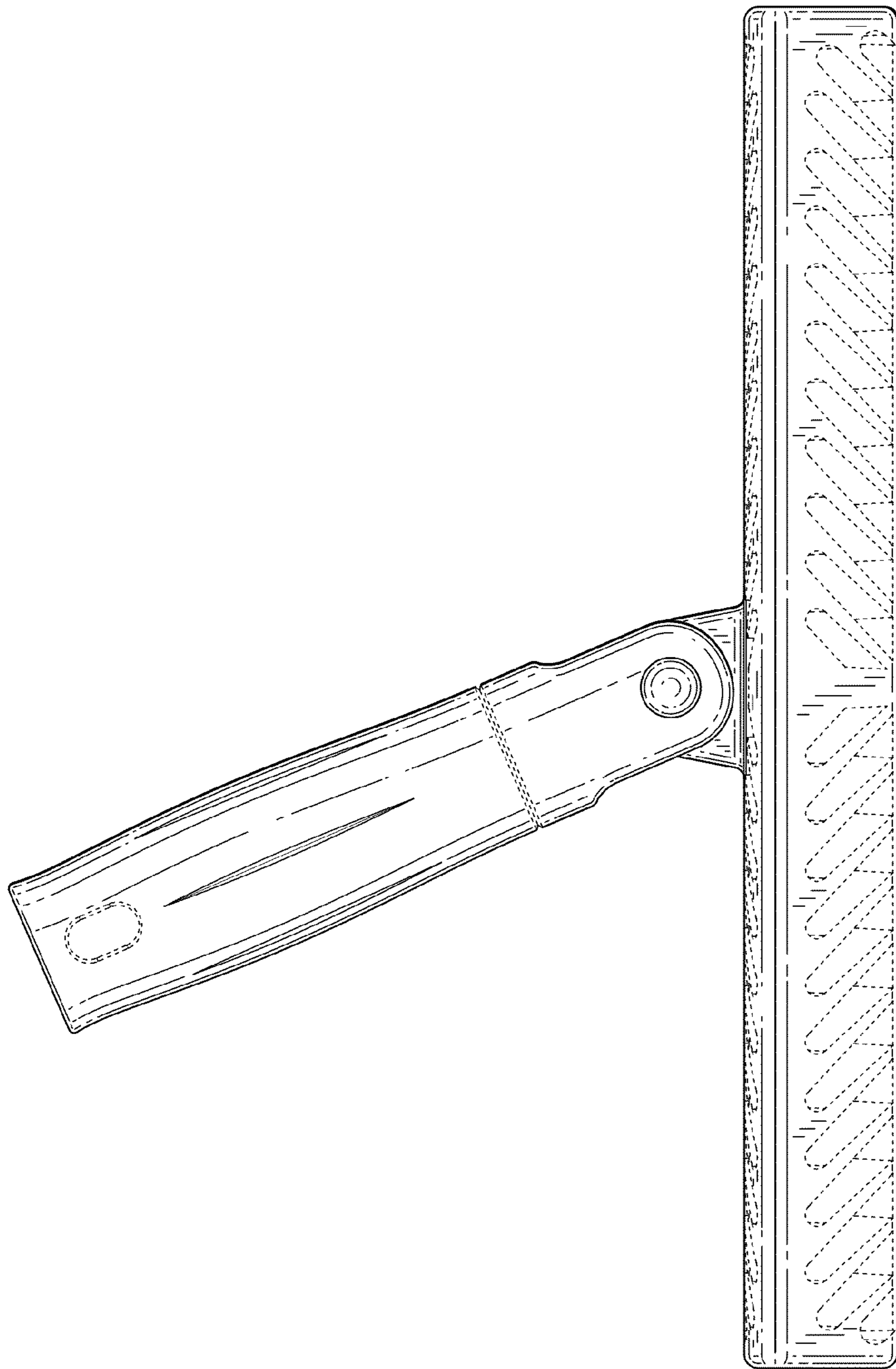


FIG. 3

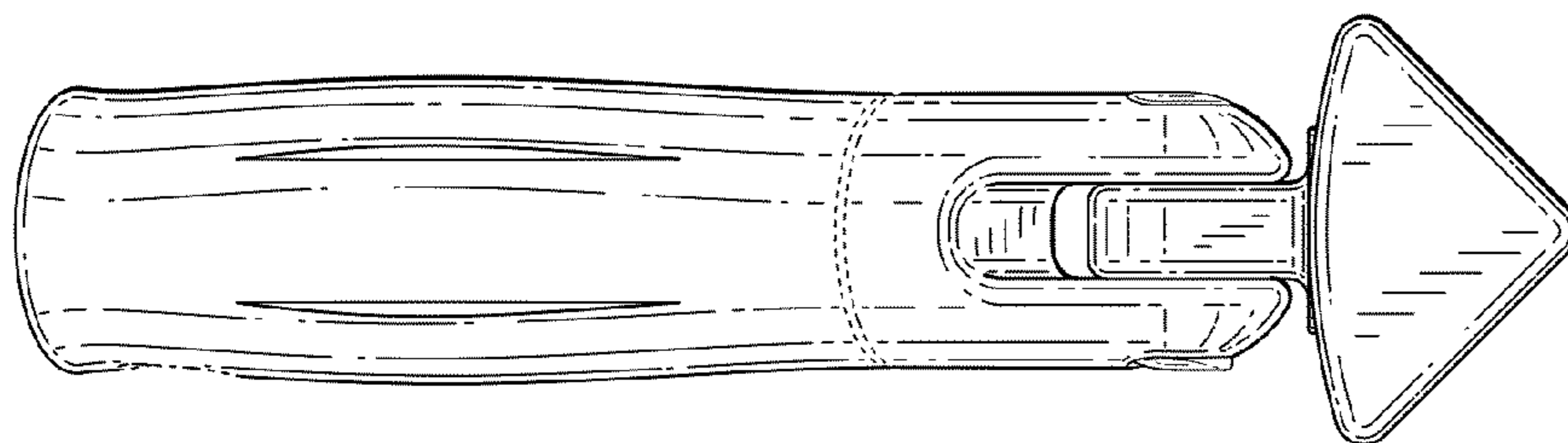


FIG. 5

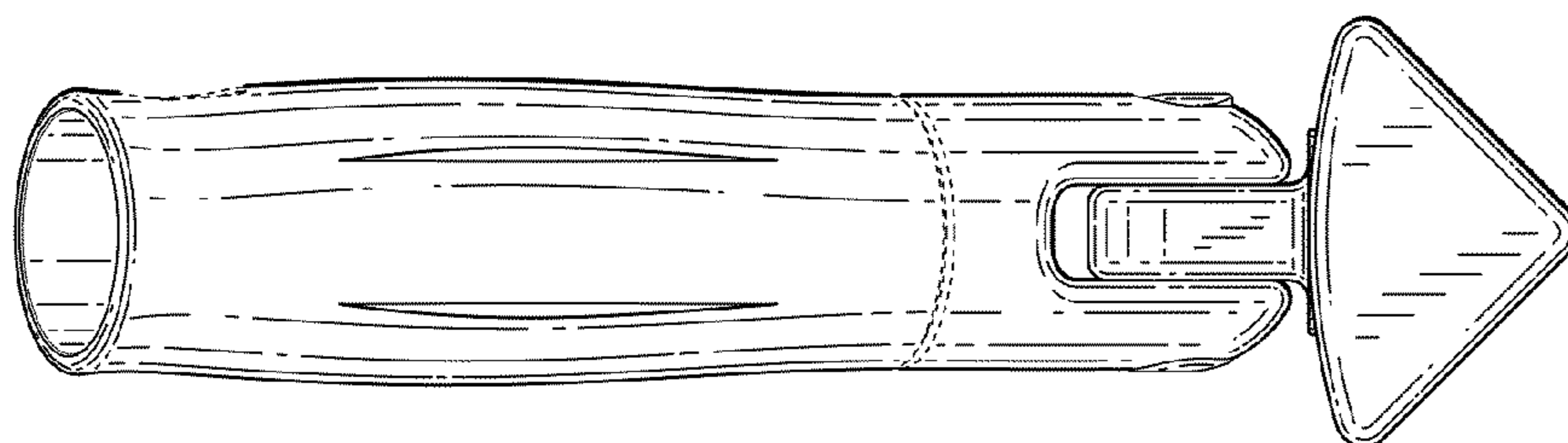


FIG. 4

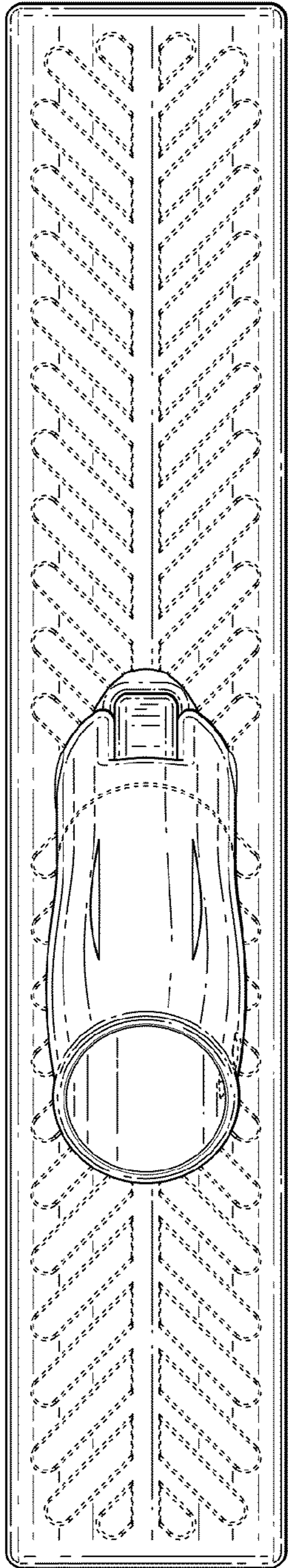


FIG. 6

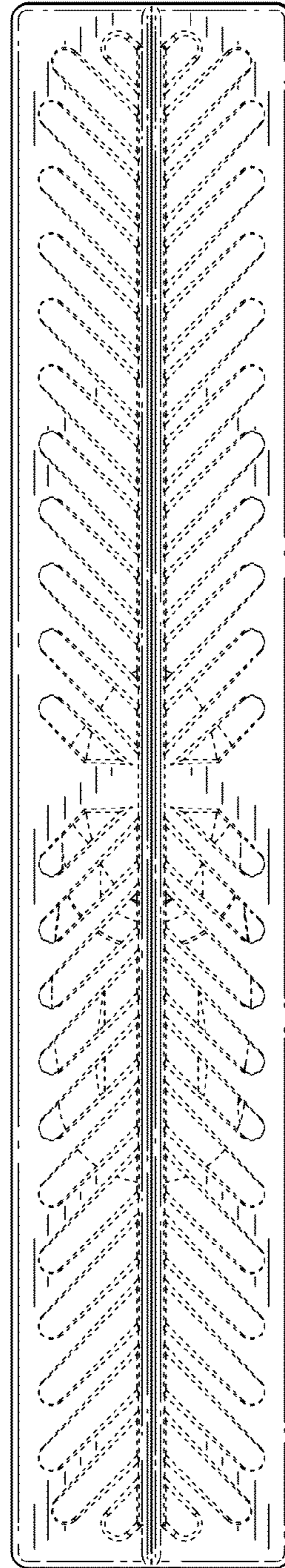


FIG. 7