



US00D759449S

(12) **United States Design Patent**
Goldy et al.

(10) **Patent No.:** **US D759,449 S**
(45) **Date of Patent:** **** Jun. 21, 2016**

- (54) **KITCHEN AND BAR TOOL**
- (71) Applicants: **Robert Goldy**, New York, NY (US);
Edwin Chan, Brooklyn, NY (US)
- (72) Inventors: **Robert Goldy**, New York, NY (US);
Edwin Chan, Brooklyn, NY (US)
- (73) Assignee: **Trend Right Research And Development Corporation**, New York, NY (US)
- (**) Term: **14 Years**
- (21) Appl. No.: **29/483,513**
- (22) Filed: **Feb. 28, 2014**
- (51) **LOC (10) Cl.** **07-99**
- (52) **U.S. Cl.**
USPC **D8/34**
- (58) **Field of Classification Search**
USPC D8/14, 16, 18, 19, 33-43, 88, 89, 105,
D8/107; 7/112, 113, 151-156, 118;
81/3.07, 3.09, 3.2, 3.27, 3.29, 3.31,
81/3.35, 3.37, 3.4, 3.48, 3.49, 3.55
See application file for complete search history.

- D471,421 S * 3/2003 Lang D8/105
- D477,524 S * 7/2003 Chen D8/105
- D509,419 S * 9/2005 Chung D8/99
- D658,964 S * 5/2012 Elsener D8/105
- D705,637 S * 5/2014 Salles D8/105
- D711,720 S * 8/2014 Vanderbeek D8/105

* cited by examiner

Primary Examiner — Elizabeth Albert

(74) *Attorney, Agent, or Firm* — Dinsmore & Shohl LLP

(57) **CLAIM**

The ornamental design for a kitchen and bar tool, as shown and described.

DESCRIPTION

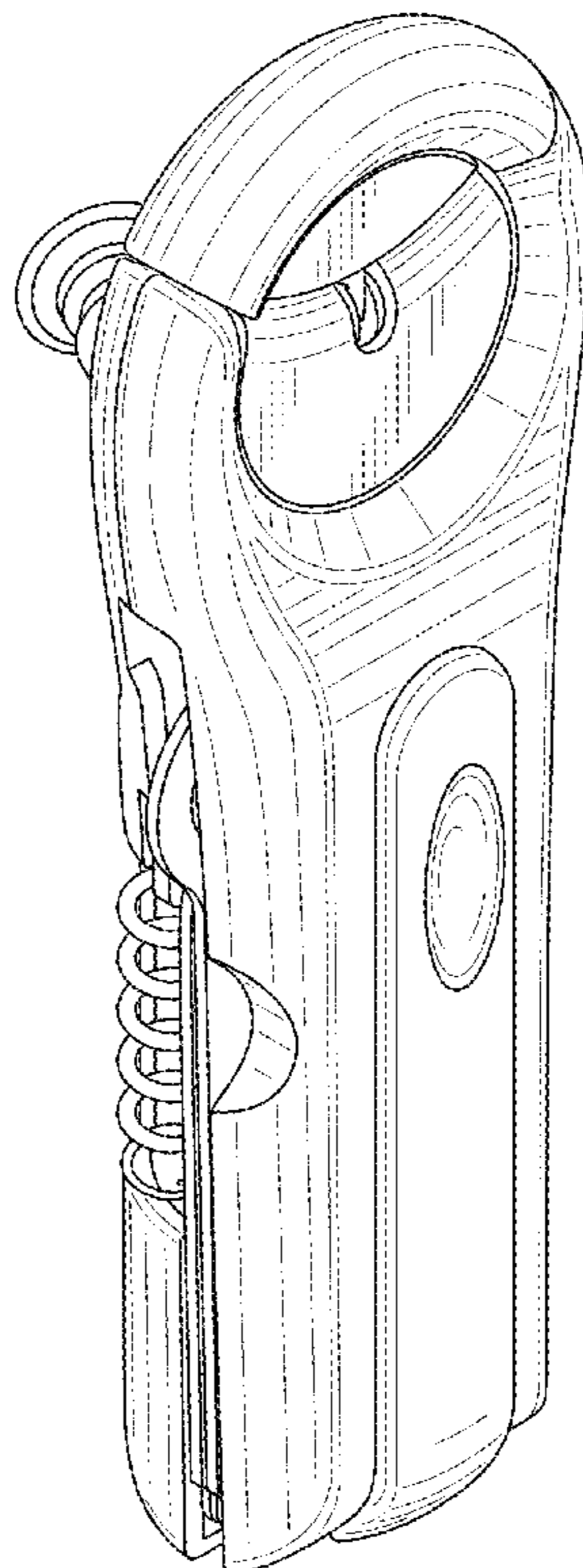
FIG. 1 is a perspective view of a kitchen and bar tool showing my new design;
 FIG. 2 is a front elevation view of the kitchen and bar tool of FIG. 1;
 FIG. 3 is a rear elevation view of the kitchen and bar tool of FIG. 1;
 FIG. 4 is a right side elevation view of the kitchen and bar tool of FIG. 1
 FIG. 5 is a left side elevation view of the kitchen and bar tool of FIG. 1;
 FIG. 6 is a top plan view of the kitchen and bar tool of FIG. 1;
 and,
 FIG. 7 is a bottom plan view of the kitchen and bar tool of FIG. 1.

1 Claim, 5 Drawing Sheets

(56) **References Cited**

U.S. PATENT DOCUMENTS

- 899,408 A * 9/1908 Kampfe 30/408
- D448,267 S * 9/2001 Jean et al. D8/105
- D469,677 S * 2/2003 Hung D8/105



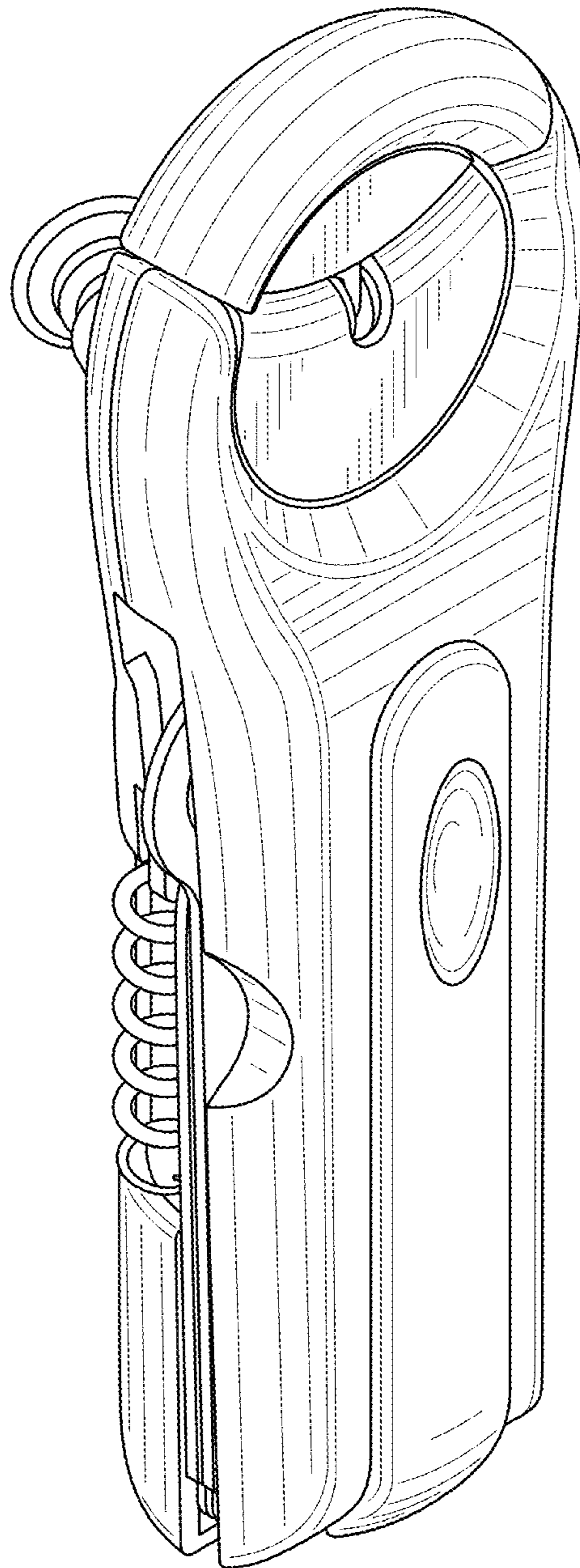


FIG. 1

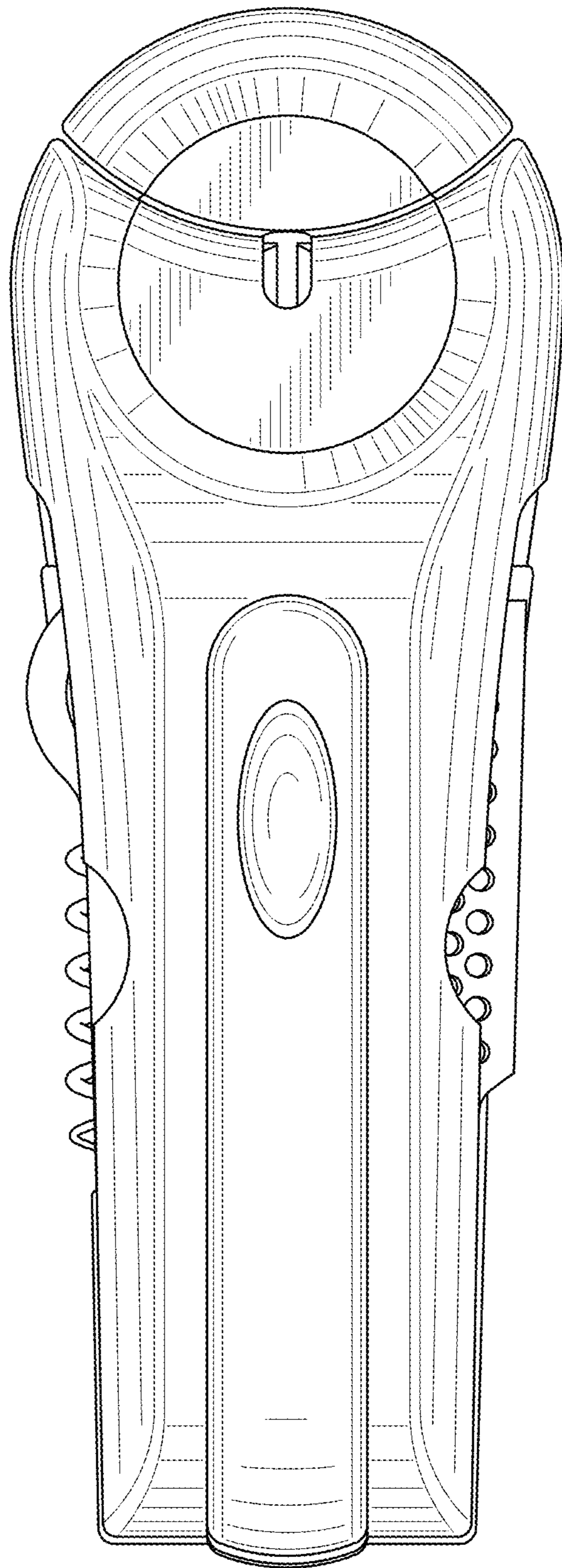


FIG. 2

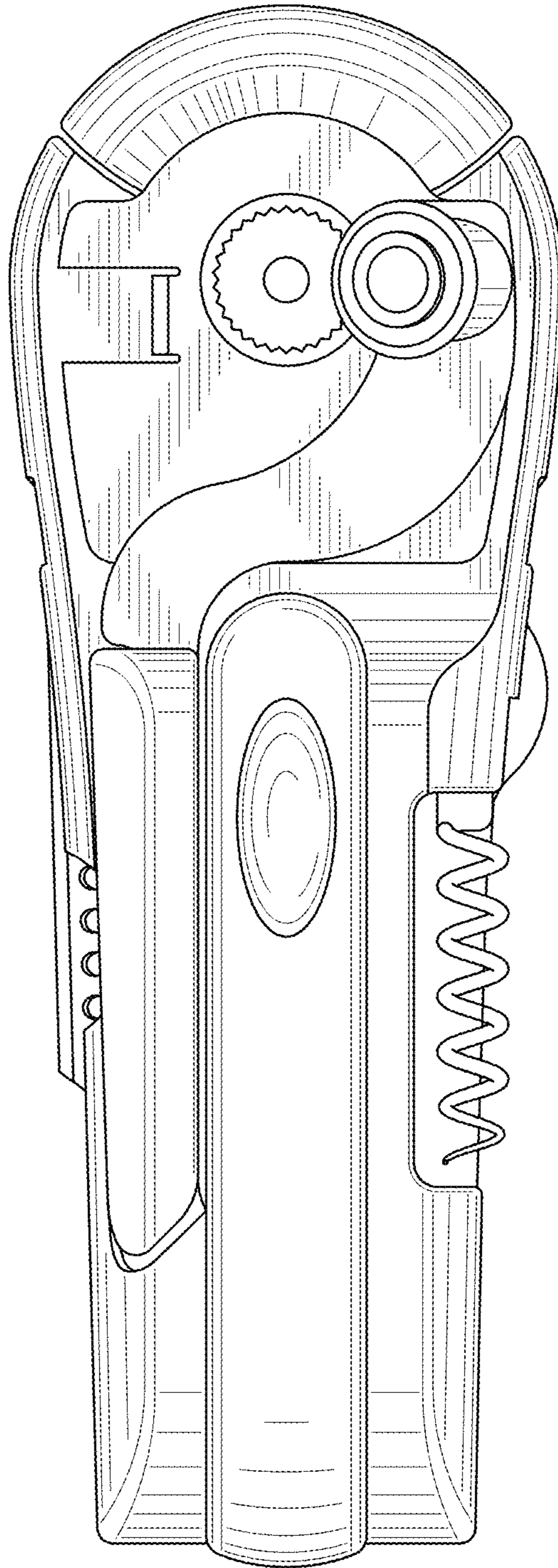


FIG. 3

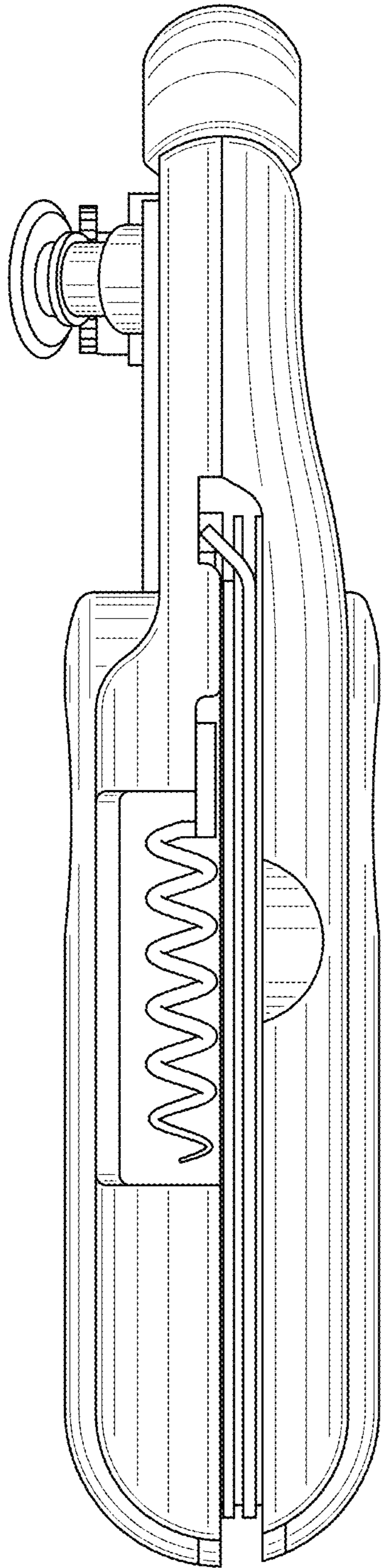


FIG. 4

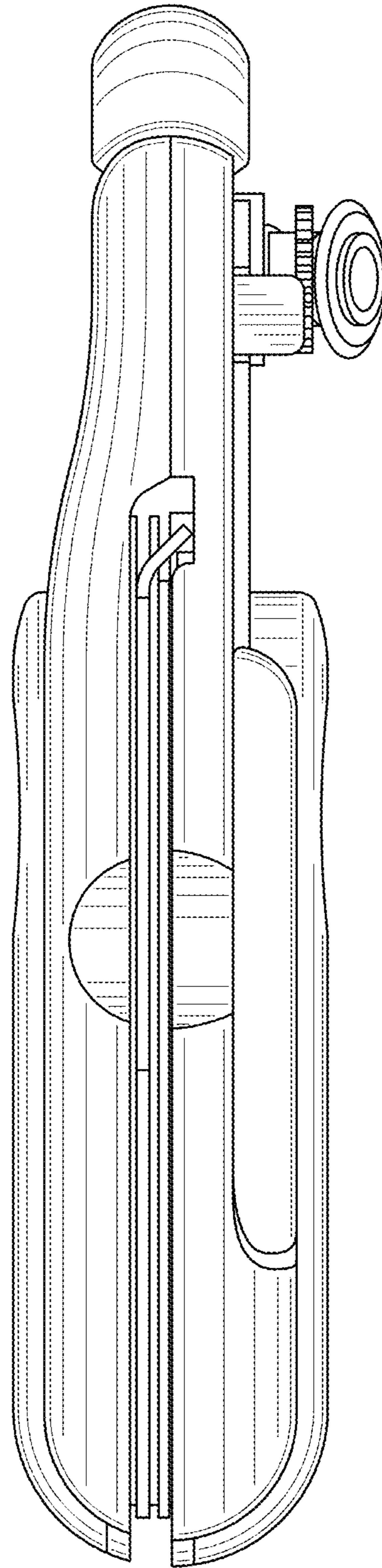


FIG. 5

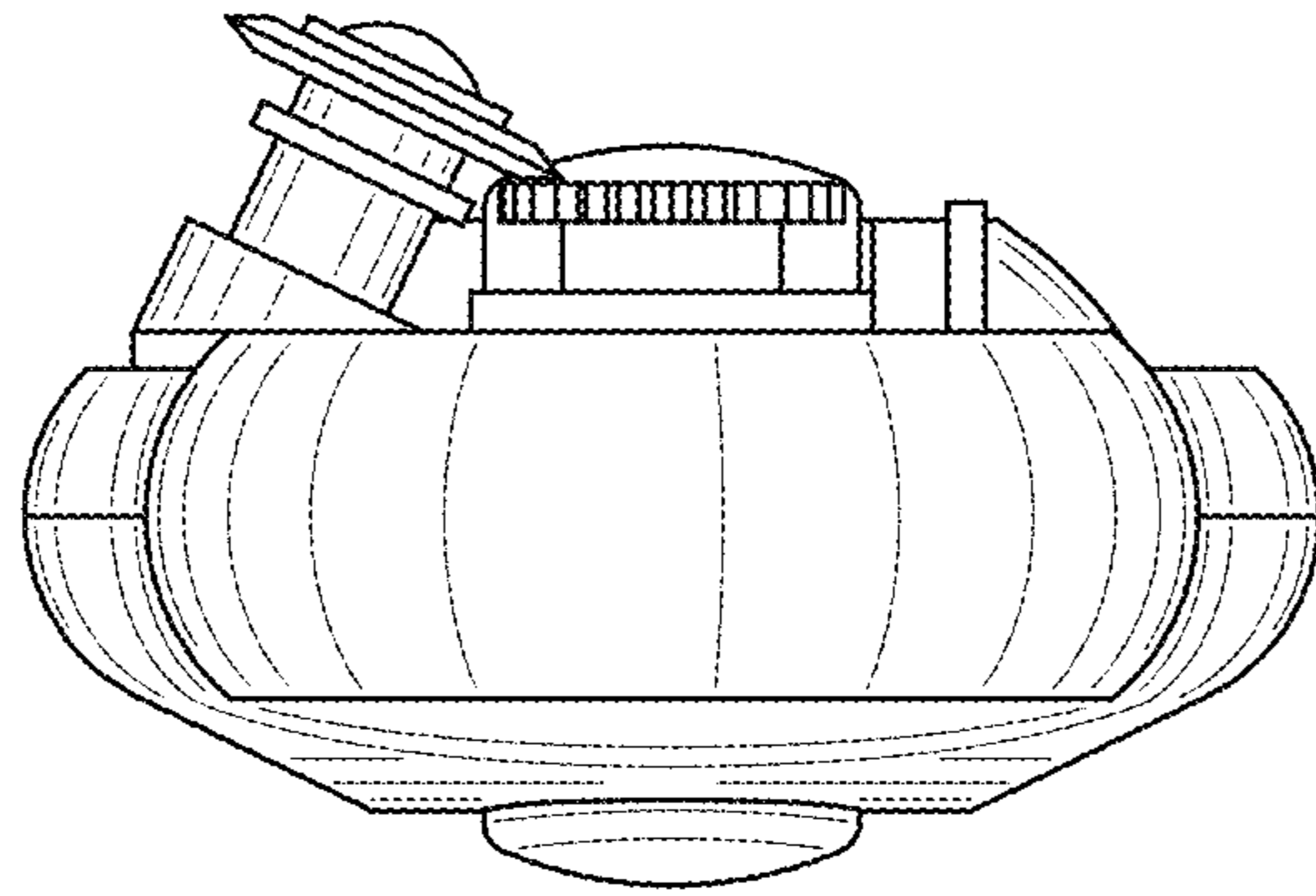


FIG. 6

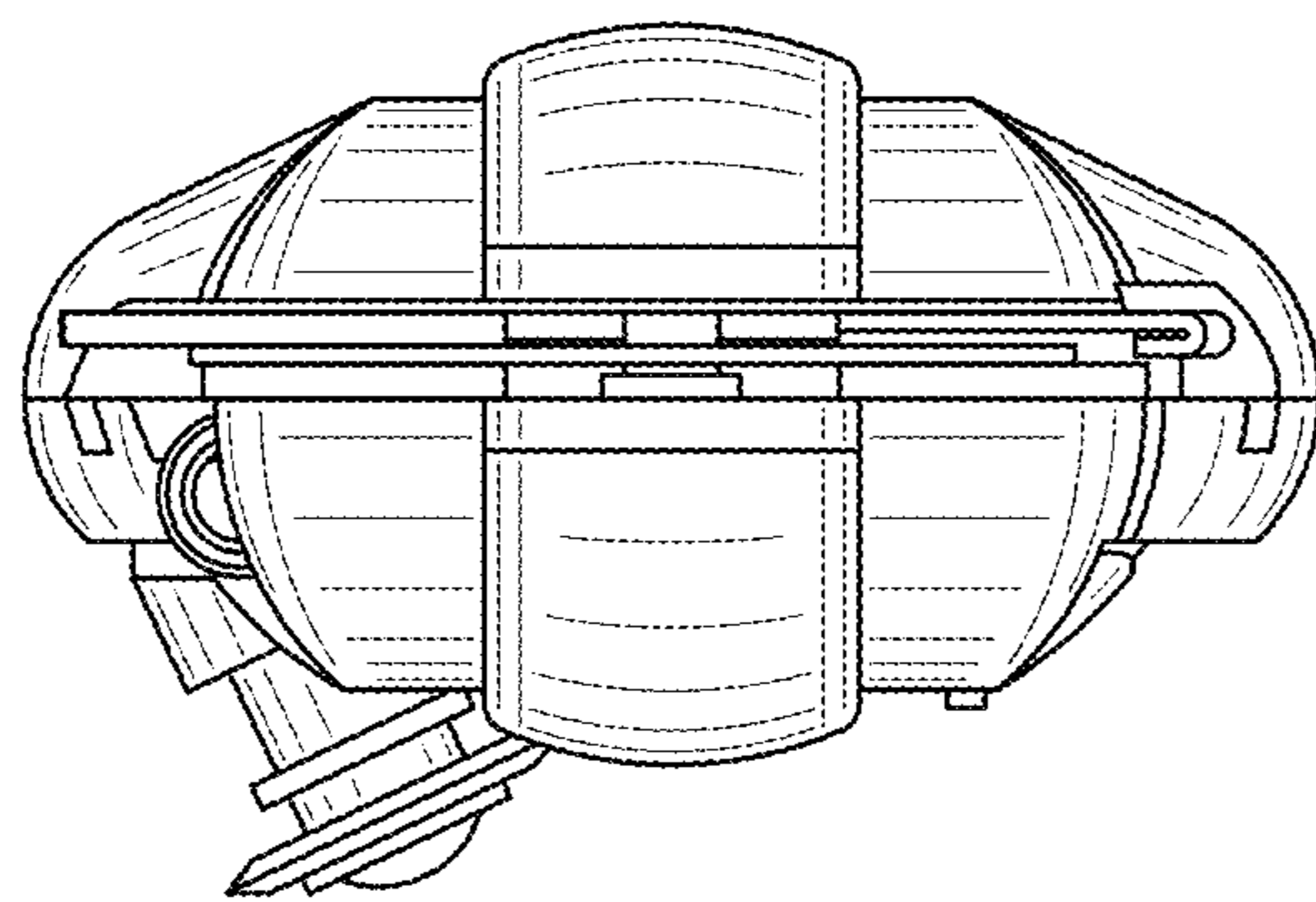


FIG. 7