



US00D759448S

(12) **United States Design Patent**  
**Sampson, Sr.**

(10) **Patent No.:** **US D759,448 S**

(45) **Date of Patent:** **\*\* Jun. 21, 2016**

(54) **EXTENSION HANDLE FOR A WRENCH**

(71) Applicant: **Terre Sampson, Sr.**, Las Vegas, NV  
(US)

(72) Inventor: **Terre Sampson, Sr.**, Las Vegas, NV  
(US)

(\*\*) Term: **14 Years**

(21) Appl. No.: **29/511,985**

(22) Filed: **Dec. 16, 2014**

(51) **LOC (10) Cl.** ..... **08-05**

(52) **U.S. Cl.**  
USPC ..... **D8/27; D8/107**

(58) **Field of Classification Search**  
USPC ..... D8/21-29, 107  
CPC ..... B25G 1/005; B25G 1/00; B25G 1/04;  
B25G 1/043; B25G 1/105; B25G 1/125  
See application file for complete search history.

(56) **References Cited**

**U.S. PATENT DOCUMENTS**

4,644,600	A *	2/1987	Fugate	.....	B25B 27/02
					7/166
4,960,014	A *	10/1990	Kelley	.....	B25G 1/005
					294/209
D328,017	S *	7/1992	Boeke	.....	D8/21
D380,244	S *	6/1997	Naumoff	.....	D21/756
D394,992	S *	6/1998	Landin	.....	D8/14
5,832,794	A *	11/1998	Fowler	.....	B25B 13/08
					81/177.2
D421,379	S *	3/2000	Sanford	.....	D8/107
6,257,102	B1	7/2001	Perry		
6,267,030	B1	7/2001	Rodoni		

6,308,596	B1	10/2001	Williams		
D472,967	S *	4/2003	Tsai	.....	D23/292
D476,203	S *	6/2003	Mahan	.....	D8/21
D598,257	S *	8/2009	Darby	.....	D8/27
D622,994	S *	9/2010	Chou	.....	D6/580
D630,481	S *	1/2011	Hutt	.....	D8/27
8,931,376	B2 *	1/2015	Humphrey	.....	B25G 1/043
					81/177.2
D735,012	S *	7/2015	Cowie	.....	D8/107
2005/0183550	A1 *	8/2005	Day	.....	B25G 1/043
					81/177.2

\* cited by examiner

*Primary Examiner* — Phillip S Hyder

(74) *Attorney, Agent, or Firm* — Crossley & Stevenson IP  
Law

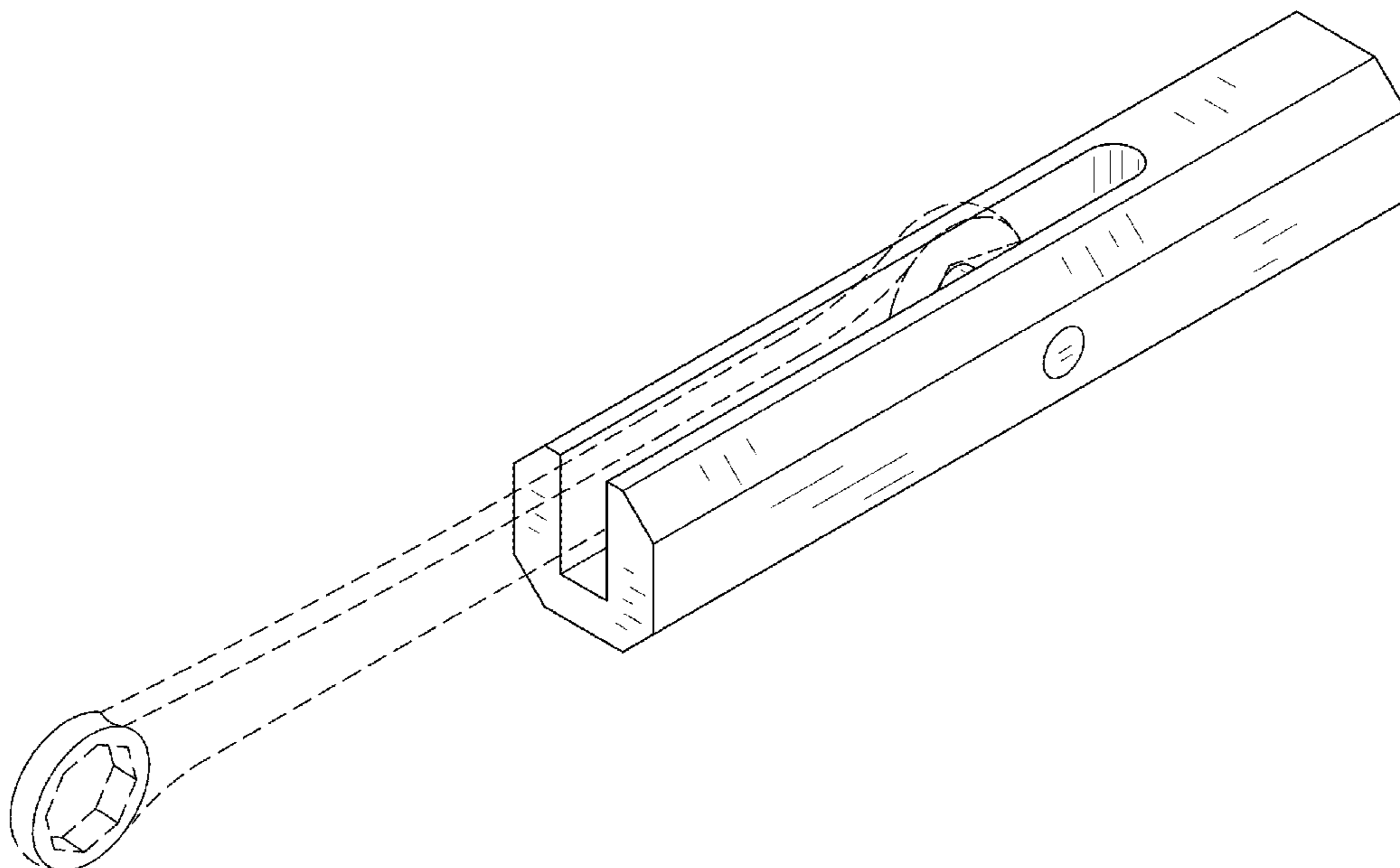
(57) **CLAIM**

The ornamental design for an extension handle for a wrench,  
as shown and described.

**DESCRIPTION**

FIG. 1 is a front elevation view of an extension handle for a wrench showing my new design, the opposite side being a mirror image of the shown;  
 FIG. 2 is a left side elevation view thereof;  
 FIG. 3 is a right side elevation view thereof;  
 FIG. 4 is a top plan view thereof;  
 FIG. 5 is a bottom plan view thereof;  
 FIG. 6 is an isometric view thereof; and,  
 FIG. 7 is a cross-sectional view taken along line 7-7 of FIG. 4.  
 The broken lines in FIG. 6 of the drawings depict a combination end wrench as environmental subject matter only and form no part of the claimed design.

**1 Claim, 4 Drawing Sheets**



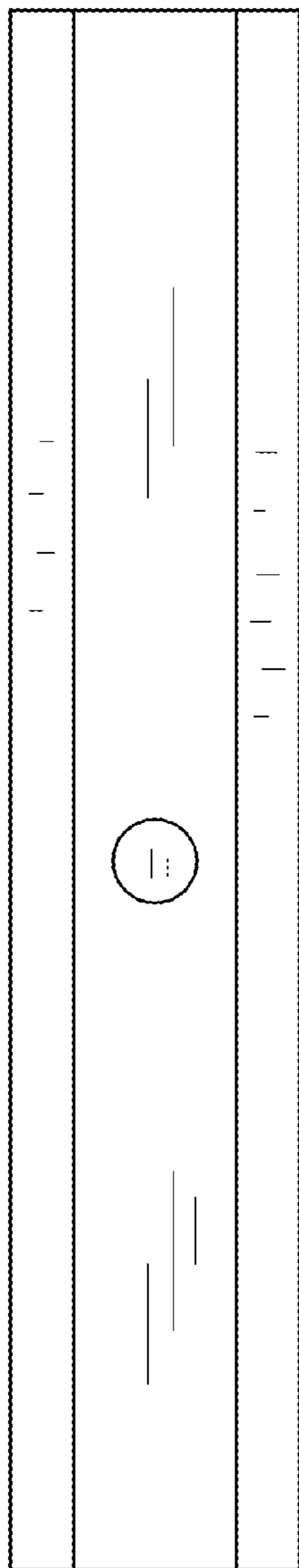


FIG. 1

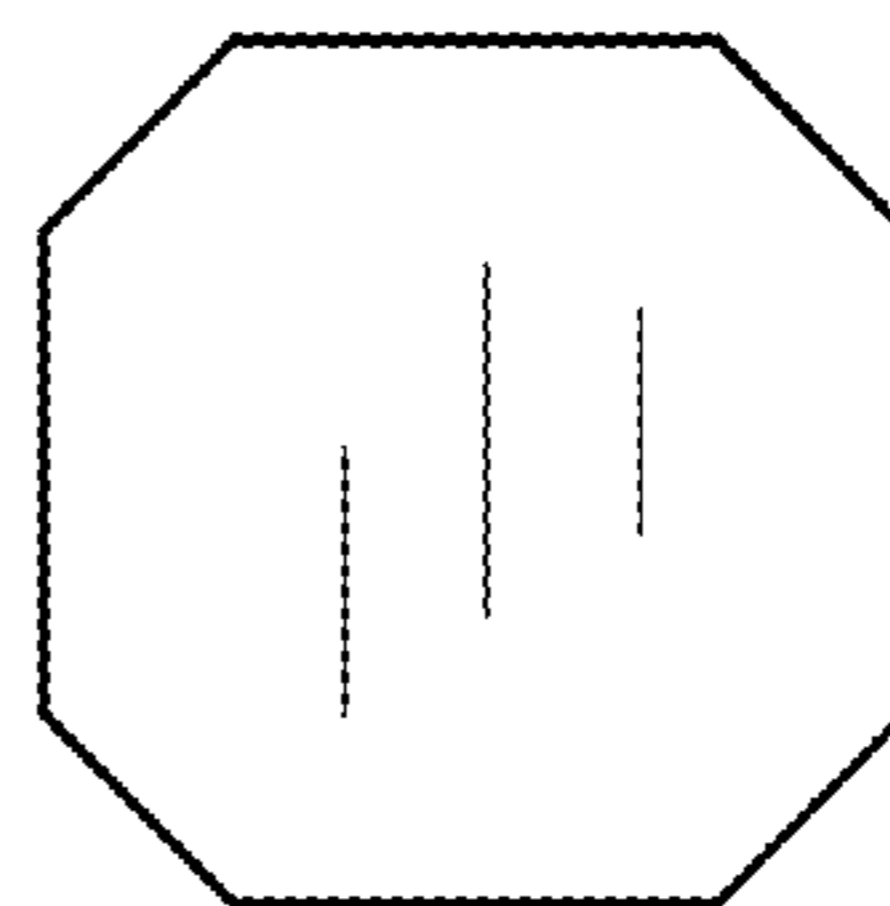


FIG. 2

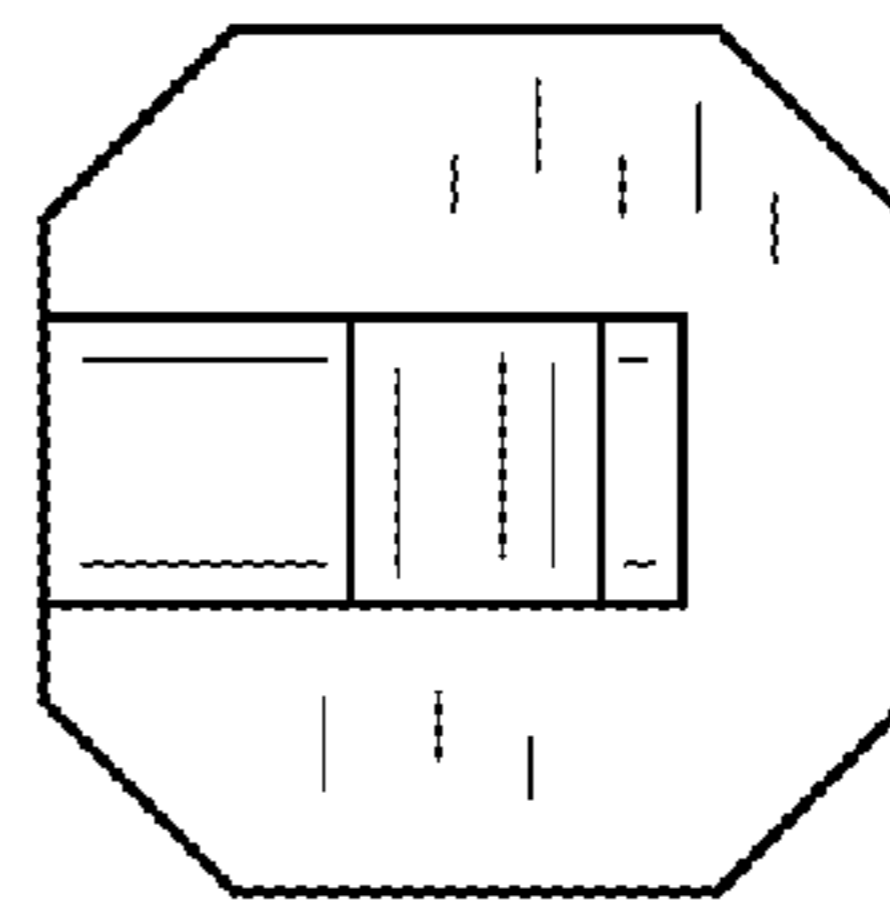


FIG. 3

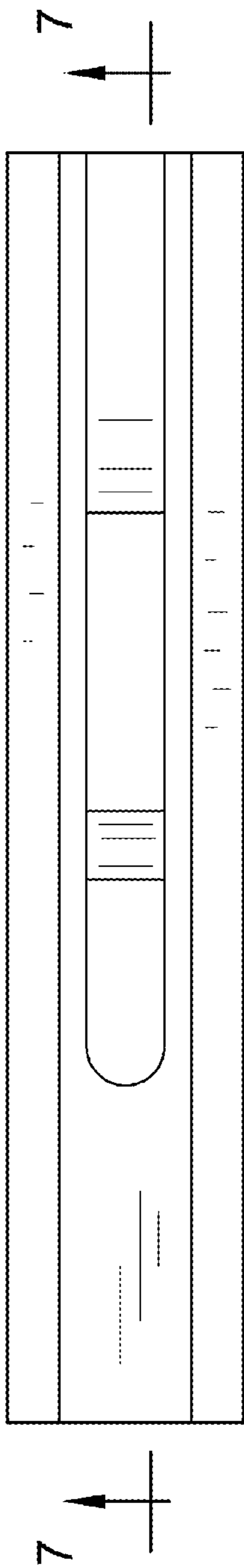


FIG. 4

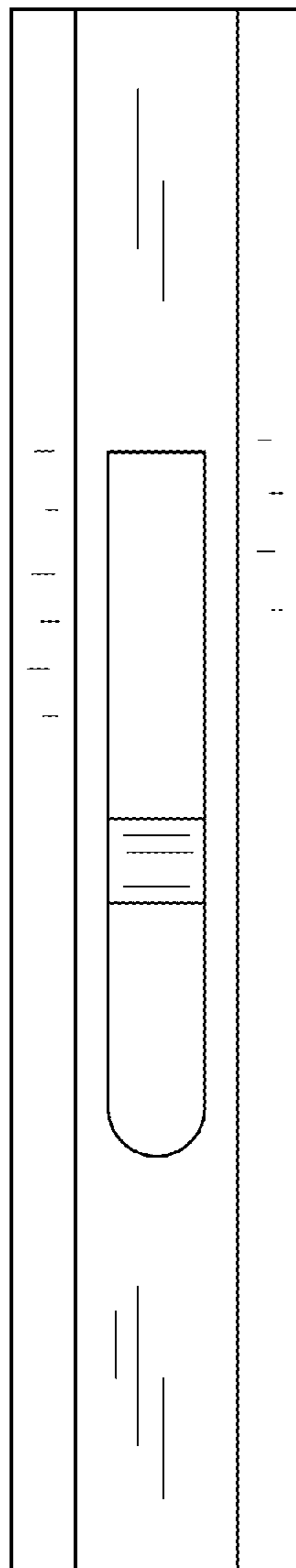


FIG. 5

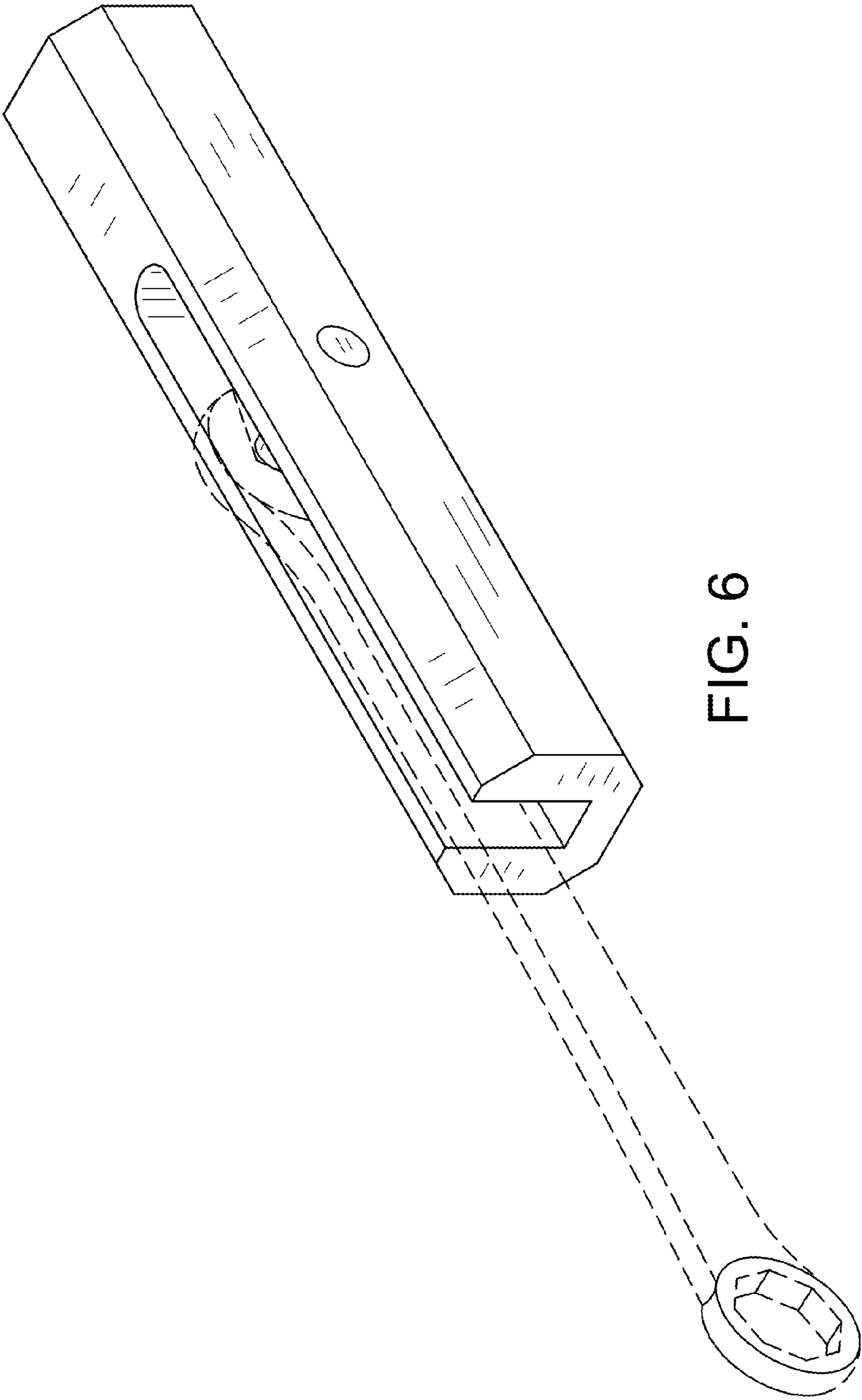


FIG. 6

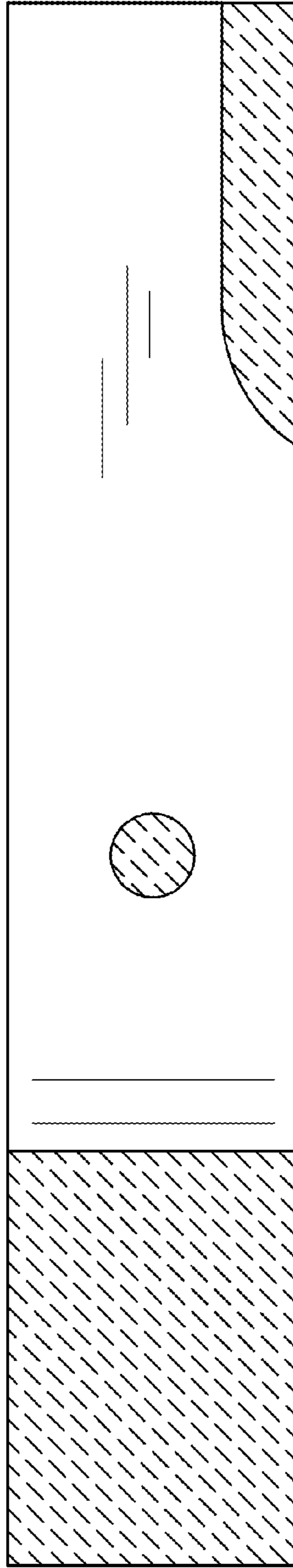


FIG. 7