



US00D759447S

(12) **United States Design Patent**  
**Caglar**

(10) **Patent No.:** **US D759,447 S**  
(45) **Date of Patent:** **\*\* Jun. 21, 2016**

(54) **WRENCH HANDLE**

(71) Applicant: **Stanley Black & Decker, Inc.**, New Britain, CT (US)

(72) Inventor: **Tolga Caglar**, Middletown, CT (US)

(73) Assignee: **Stanley Black & Decker Inc.**, New Britain, CT (US)

(\*\*) Term: **15 Years**

(21) Appl. No.: **29/527,304**

(22) Filed: **May 18, 2015**

(51) **LOC (10) Cl.** ..... **08-05**

(52) **U.S. Cl.**  
USPC ..... **D8/22**

(58) **Field of Classification Search**  
USPC ..... D8/21-23, 82, 83, 88, 89, 107; 81/60,  
81/177.1, 177.85, 121.1, 124.3, 165-170,  
81/110.1, 176.2, 124.6, 176.1, 176.15,  
81/177.2, 133, 157, 173  
CPC ..... B25B 13/00; B25B 13/10; B25B 13/12;  
B25B 13/16

See application file for complete search history.

(56) **References Cited**

U.S. PATENT DOCUMENTS

D321,310 S *	11/1991	Toyoshima .....	D8/22
5,896,790 A *	4/1999	Chiang .....	B25B 13/30 81/111
D494,030 S *	8/2004	Burry .....	D8/22
6,848,342 B2 *	2/2005	Bergfeld, III .....	B25B 13/24 81/145
D549,533 S *	8/2007	Pond .....	D8/22
8,549,961 B2 *	10/2013	Huang .....	B25B 13/14 81/126
D698,620 S *	2/2014	Huang .....	D8/22

\* cited by examiner

*Primary Examiner* — Randall Gholson

(74) *Attorney, Agent, or Firm* — Gabriel A. Haboubi

(57) **CLAIM**

The ornamental design for a wrench handle, as shown and described.

**DESCRIPTION**

FIG. 1 is a perspective view of our new design.

FIG. 2 is a left side view thereof.

FIG. 3 is a right side view thereof.

FIG. 4 is a bottom view thereof.

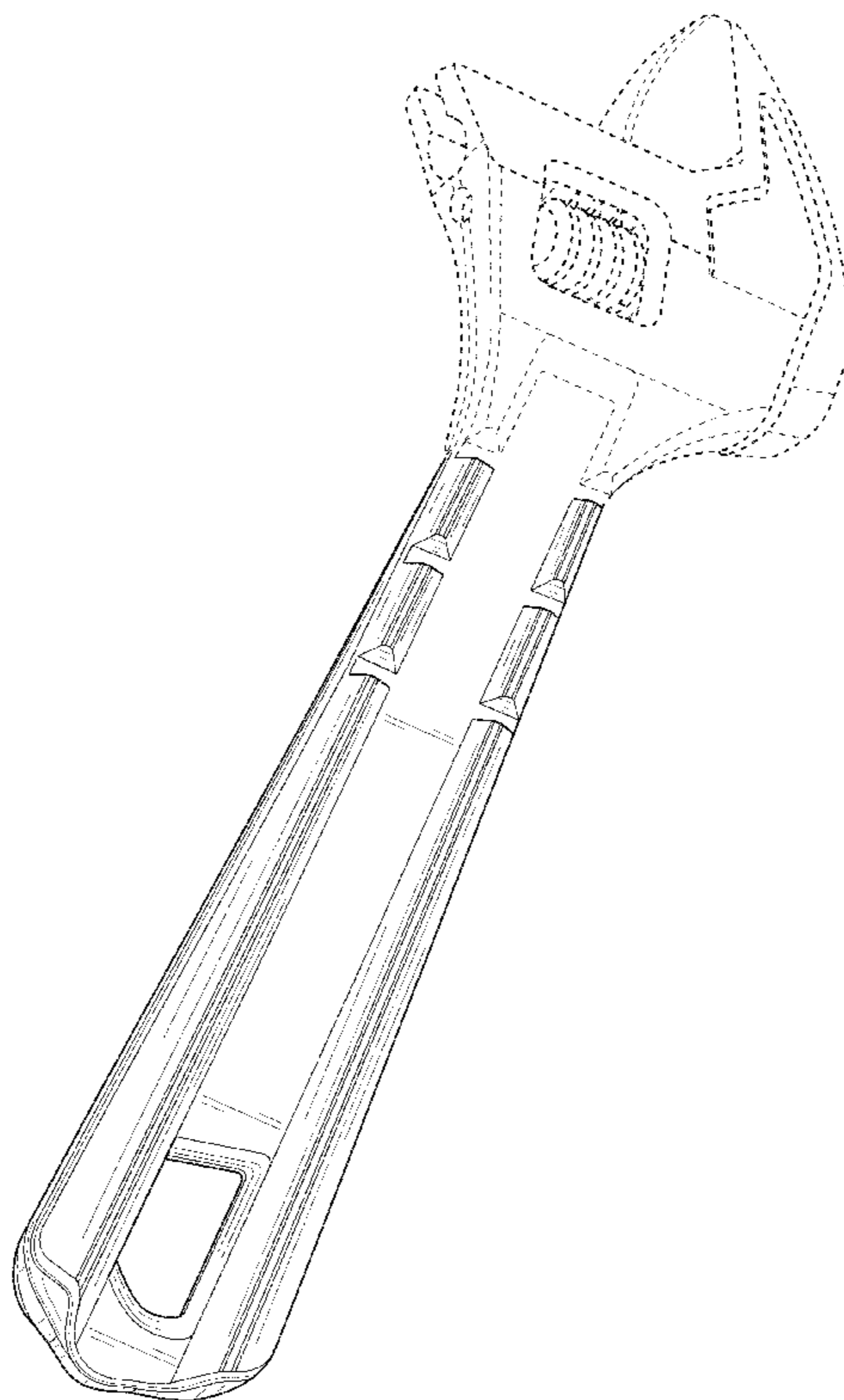
FIG. 5 is a top view thereof.

FIG. 6 is a front view thereof; and,

FIG. 7 is a rear view thereof.

The broken lines shown in the drawings illustrate unclaimed environmental matter only and form no part of the claimed design.

**1 Claim, 7 Drawing Sheets**



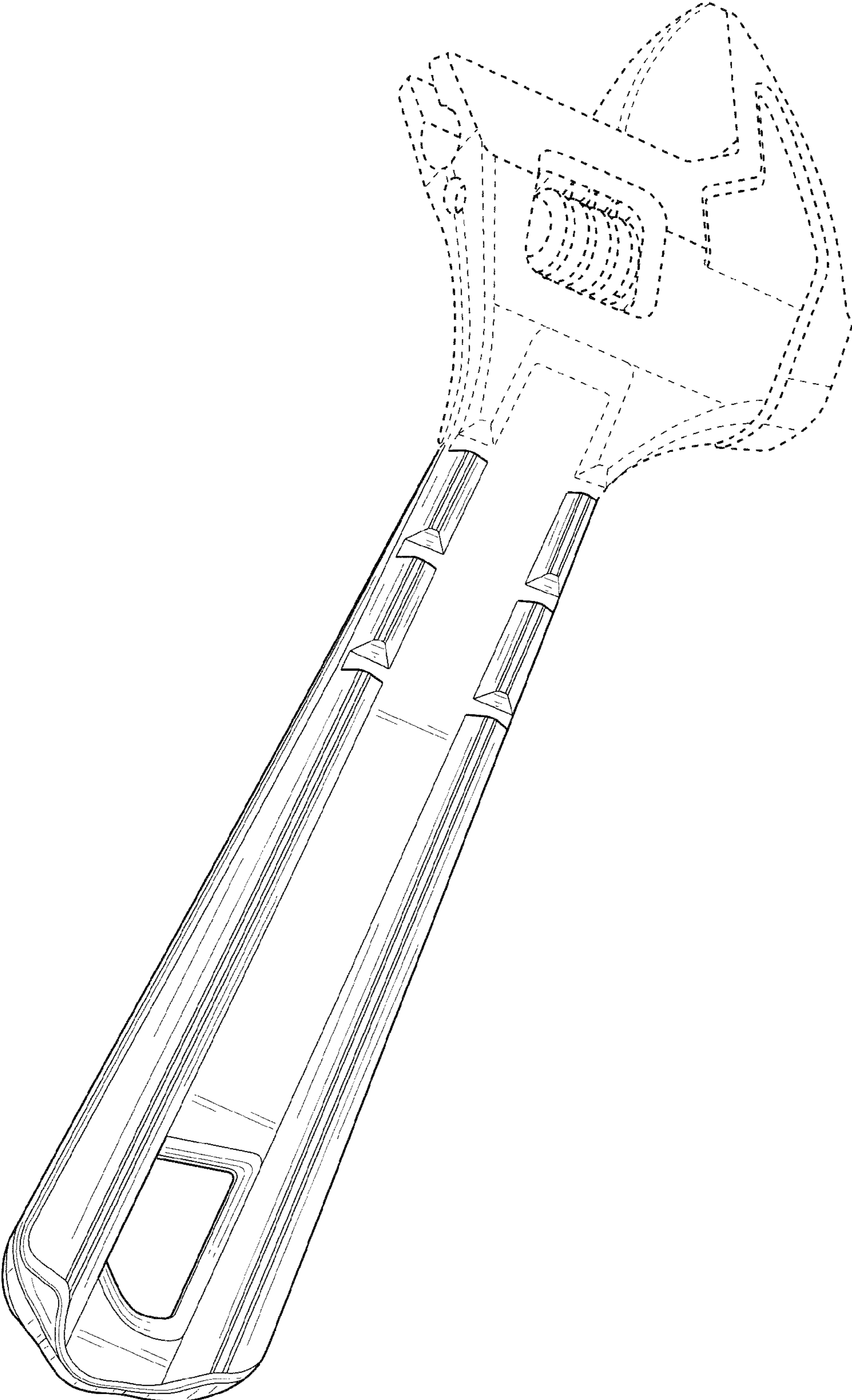


FIG. 1

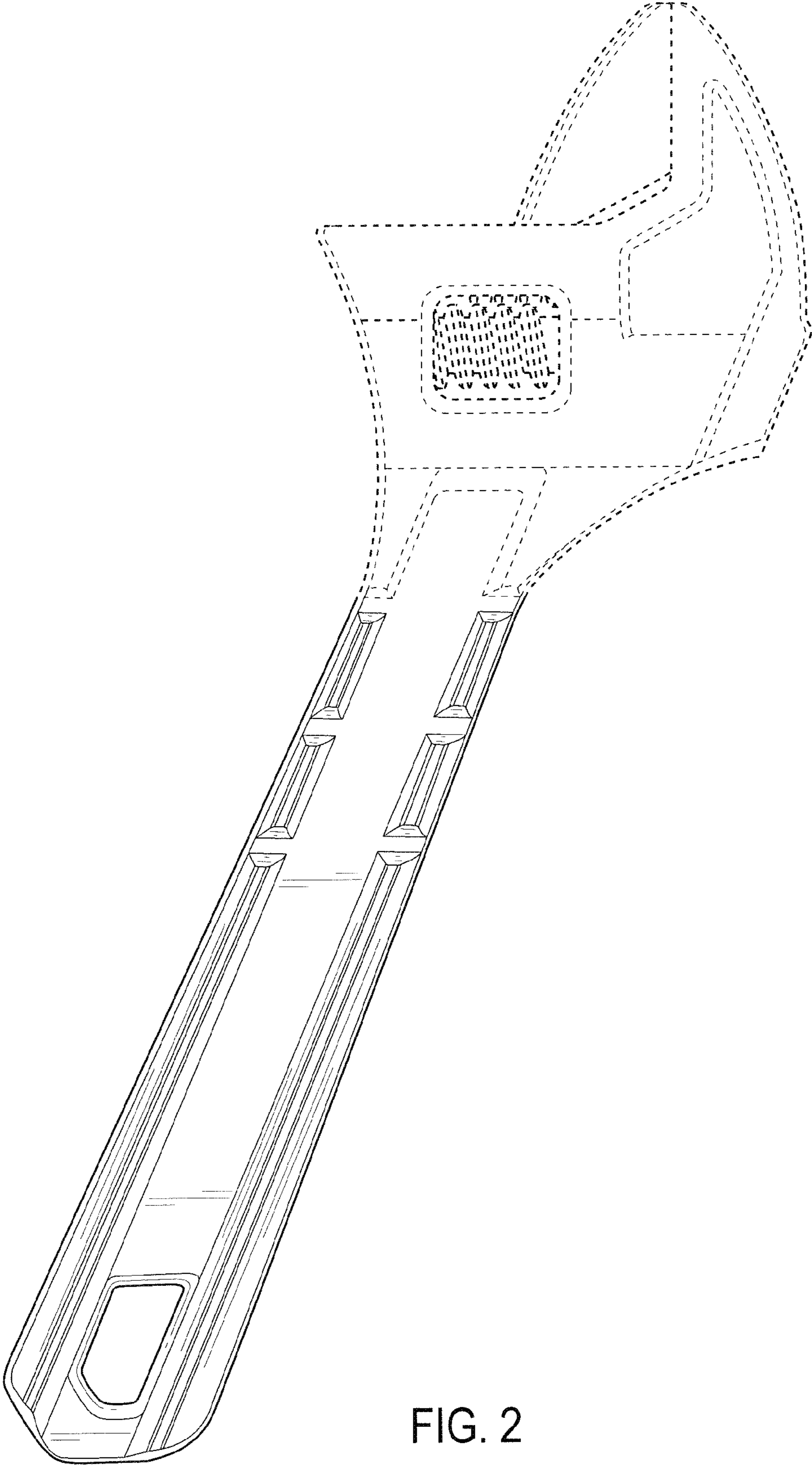


FIG. 2

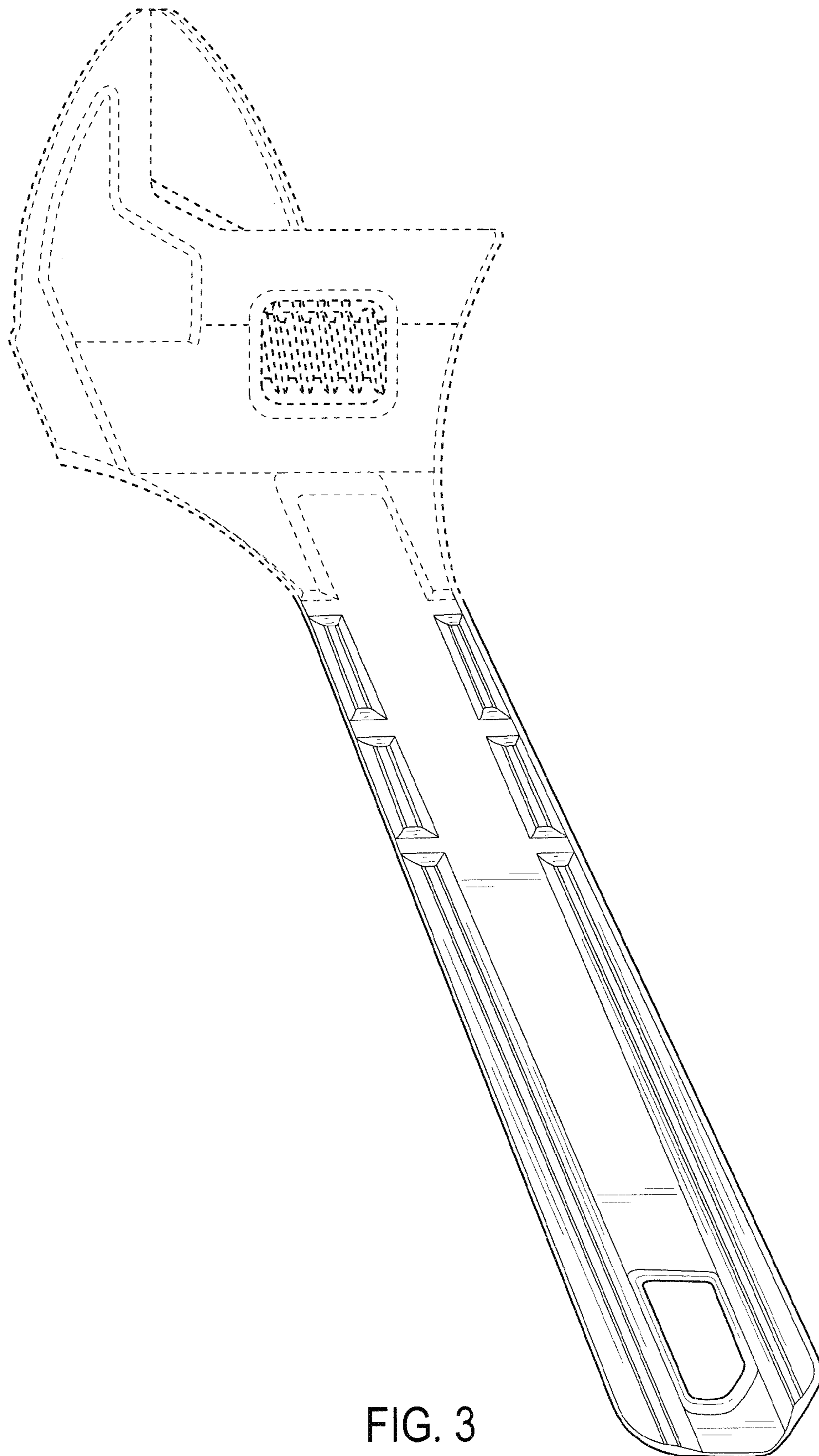


FIG. 3

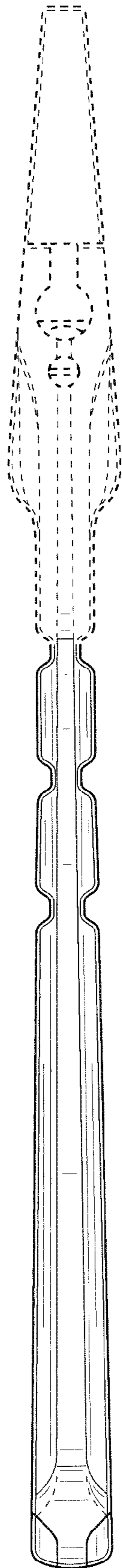


FIG. 4

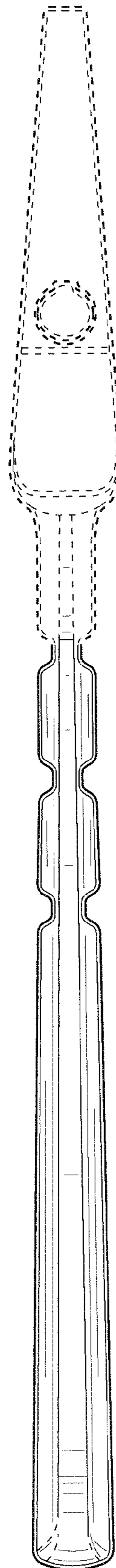


FIG. 5

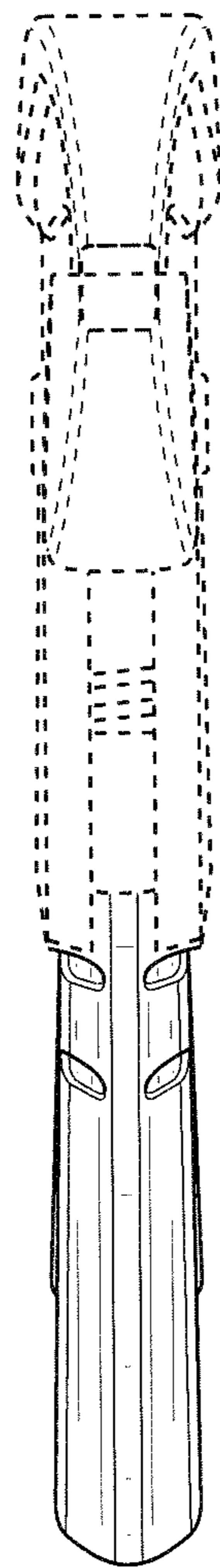


FIG. 6

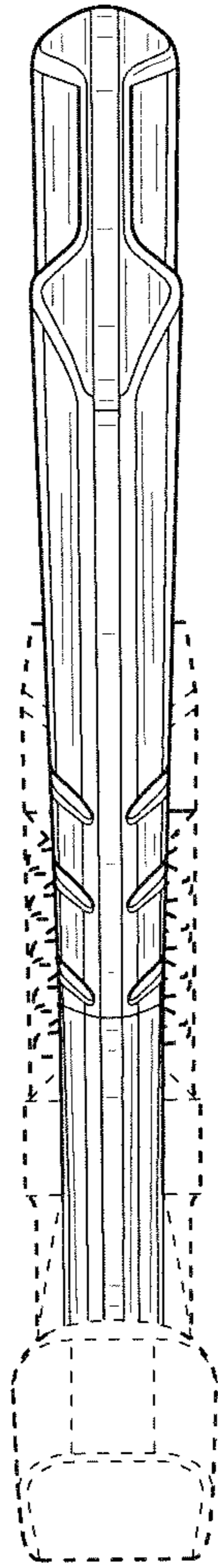


FIG. 7