

US00D759445S

(12) **United States Design Patent**  
**Tinius**

(10) **Patent No.:** **US D759,445 S**  
(45) **Date of Patent:** **\*\* Jun. 21, 2016**

(54) **CUTTING HEAD**  
(71) Applicant: **Andreas Stihl AG & Co. KG**,  
Waiblingen (DE)  
(72) Inventor: **Michael Tinius**, Ulm (DE)  
(73) Assignee: **Andreas Stihl AG & Co. KG**,  
Waiblingen (DE)  
(\*\*) Term: **14 Years**  
(21) Appl. No.: **29/520,666**  
(22) Filed: **Mar. 17, 2015**

7,882,642 B2 \* 2/2011 Proulx ..... A01D 34/416  
30/276  
D653,920 S \* 2/2012 Cigarini ..... D8/8  
D715,608 S \* 10/2014 Cigarini ..... D8/8  
D727,116 S 4/2015 Tinius  
D727,695 S 4/2015 Tinius

**FOREIGN PATENT DOCUMENTS**

EM 002098970-0003 7/2012  
EM 002098970-0005 7/2012  
EM 002561092-0002 10/2014  
EM 002561092-0004 10/2014  
EM 002561092-0006 10/2014

\* cited by examiner

*Primary Examiner* — Mark Goodwin  
(74) *Attorney, Agent, or Firm* — McGuireWoods LLP

(30) **Foreign Application Priority Data**  
Oct. 21, 2014 (EM) ..... 002561092-0006  
(51) **LOC (10) Cl.** ..... **08-01**  
(52) **U.S. Cl.**  
USPC ..... **D8/8; D15/17**  
(58) **Field of Classification Search**  
USPC ..... D15/1, 16, 17, 28; D8/1, 7, 8, 9;  
30/276, 347, 208–210, 228, 282, 283;  
56/127, 295, 12.7, 233, 234, DIG. 17;  
12/56.7, 295  
CPC ..... A01D 34/416; A01D 34/4166; A01D  
34/4167; A01D 34/84; A01D 34/90  
See application file for complete search history.

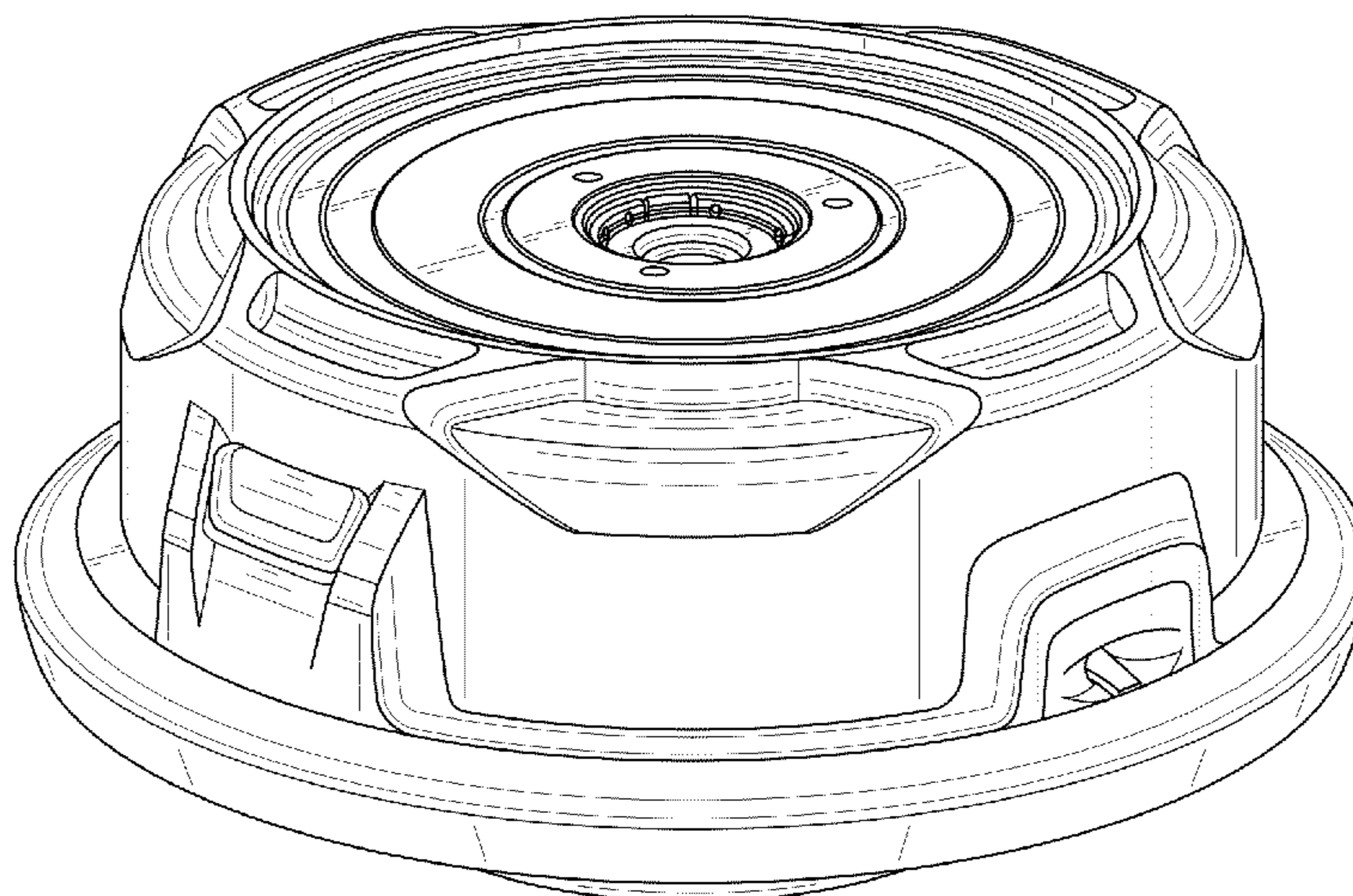
(57) **CLAIM**  
I claim the ornamental design for a cutting head, as shown and described.

**DESCRIPTION**

The present application also relates to (1) U.S. design patent application Ser. No. 29/444,649, filed Feb. 1, 2013, titled “Cutting Head”; (2) U.S. design patent application Ser. No. 29/444,650, titled “Cutting Head”; (3) U.S. design patent application Ser. No. 29/520,686, titled “Cutting Head”; and (4) U.S. design patent application Ser. No. 29/520,689, titled “Cutting Head”.  
FIG. 1 is a left-front perspective view of the cutting head;  
FIG. 2 is a front view of the cutting head shown in FIG. 1;  
FIG. 3 is a rear view of the cutting head shown in FIG. 1;  
FIG. 4 is a left side of the cutting head shown in FIG. 1;  
FIG. 5 is a right side view of the cutting head shown in FIG. 1;  
FIG. 6 is a top view of the cutting head shown in FIG. 1; and,  
FIG. 7 is a bottom view of the cutting head shown in FIG. 1.

(56) **References Cited**  
**U.S. PATENT DOCUMENTS**  
D482,581 S \* 11/2003 Nystrom ..... D8/8  
D482,941 S \* 12/2003 Nystrom ..... D8/8  
D502,368 S \* 3/2005 Nystrom ..... D8/8  
D598,255 S \* 8/2009 Alliss ..... D8/8

**1 Claim, 7 Drawing Sheets**



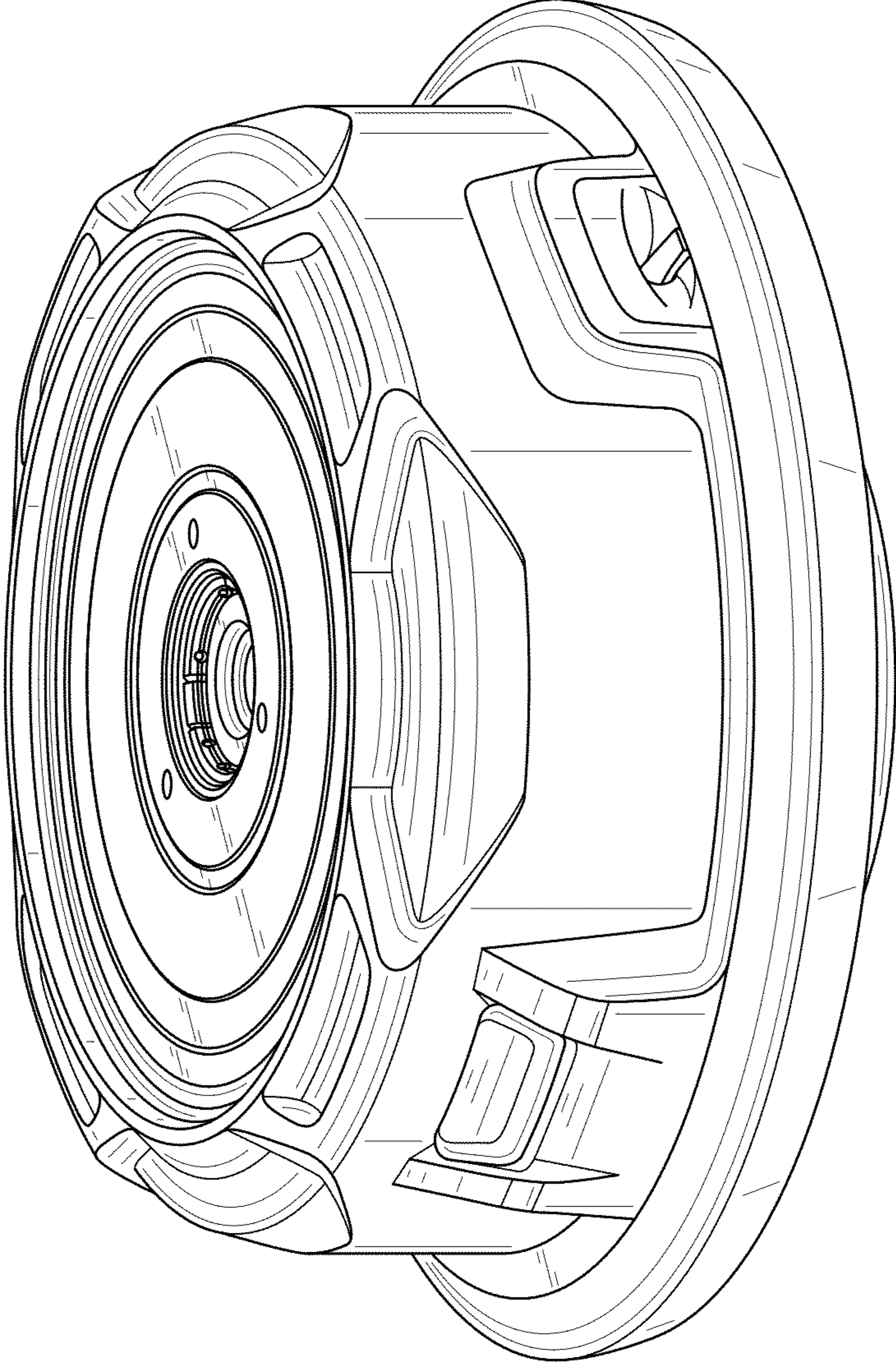


FIG. 1

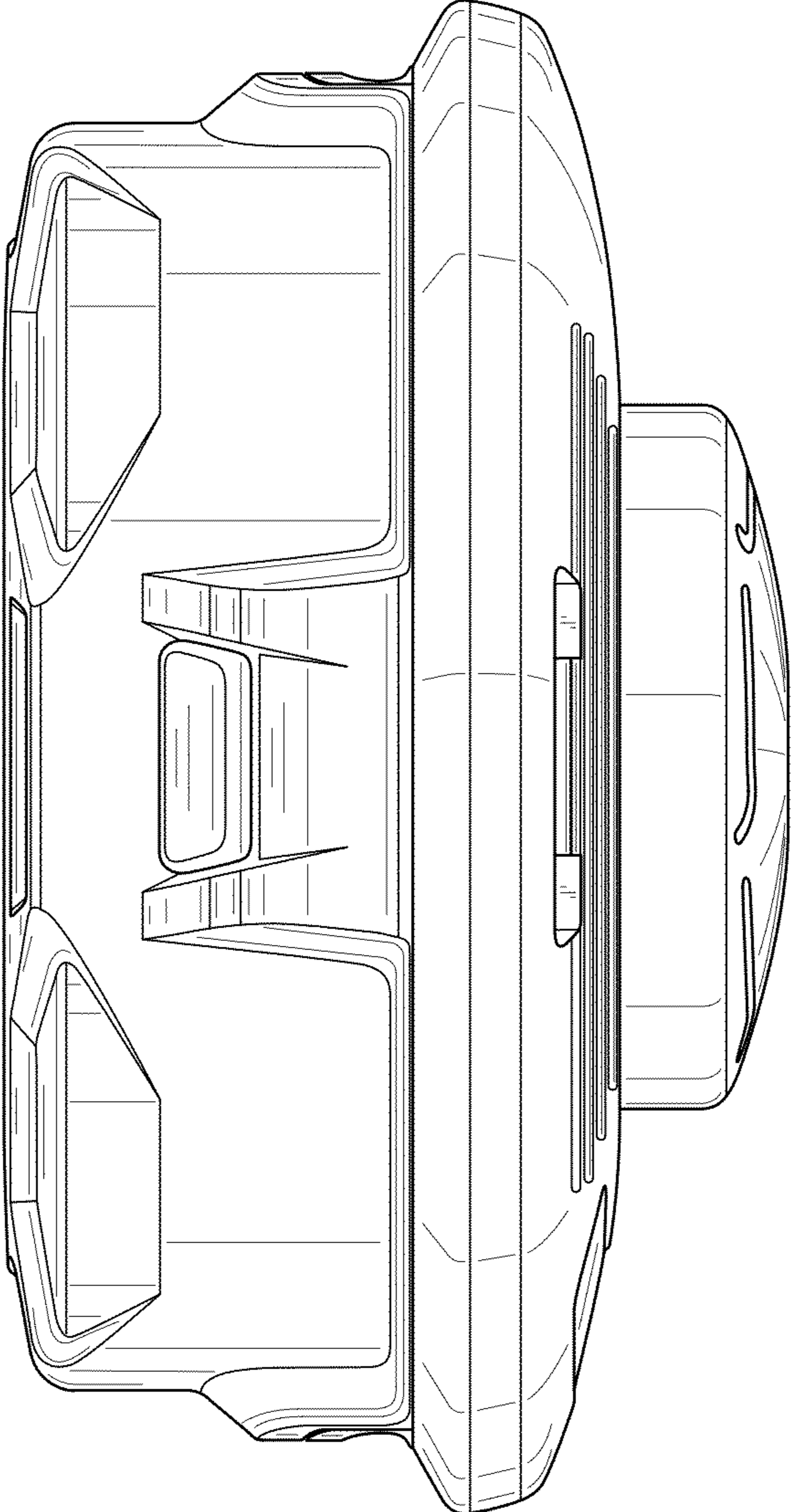


FIG. 2

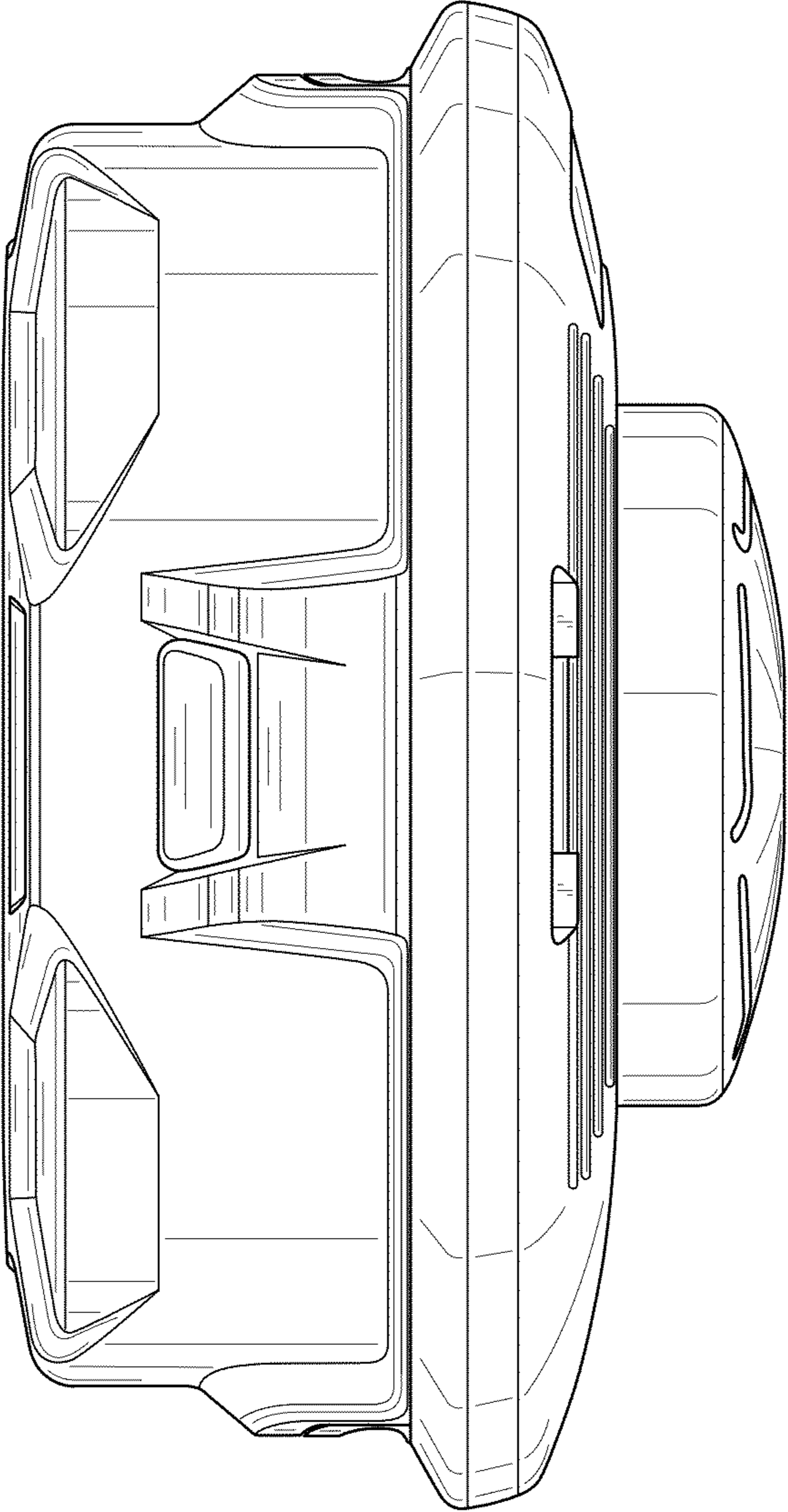


FIG. 3

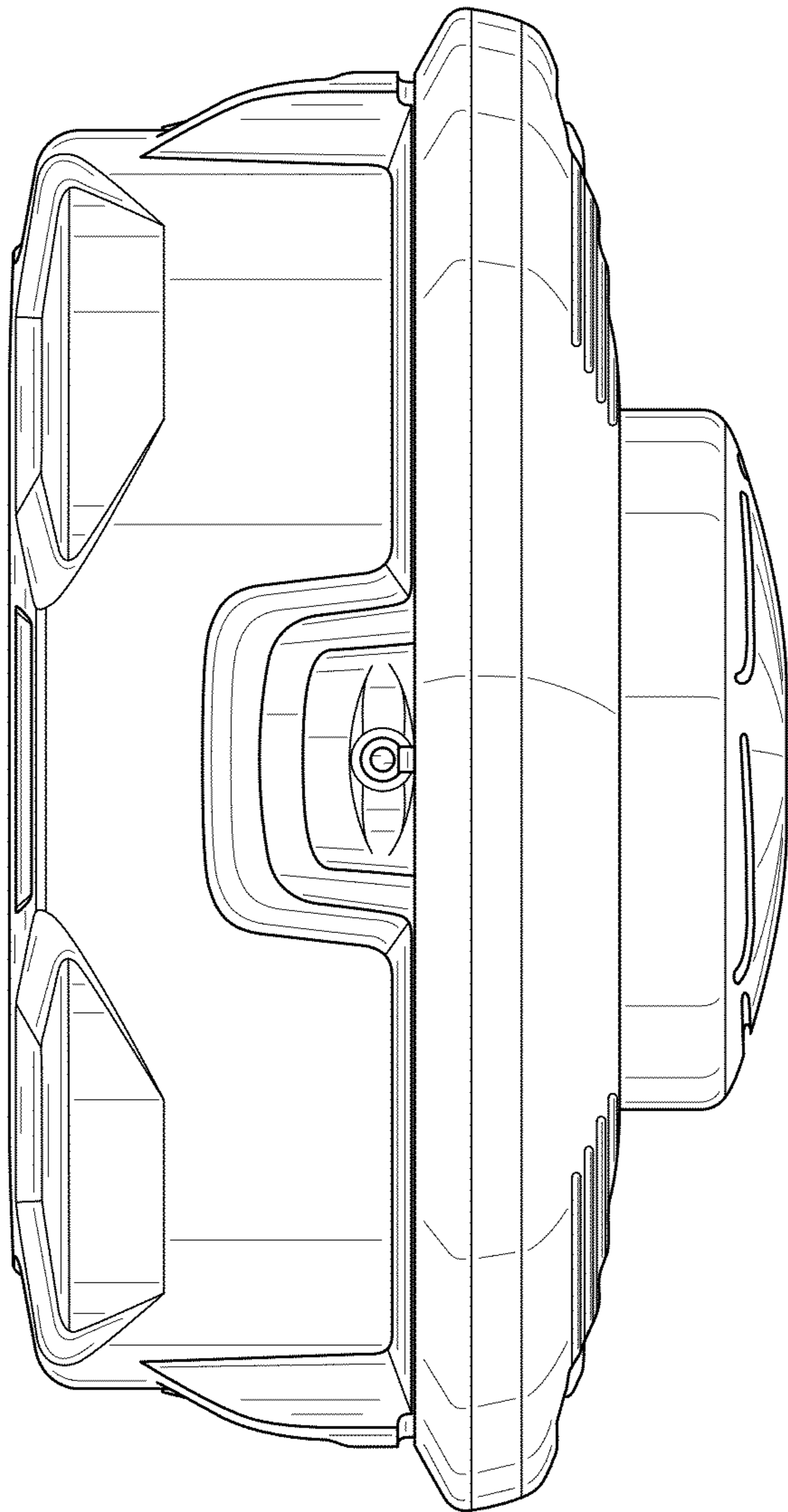


FIG. 4

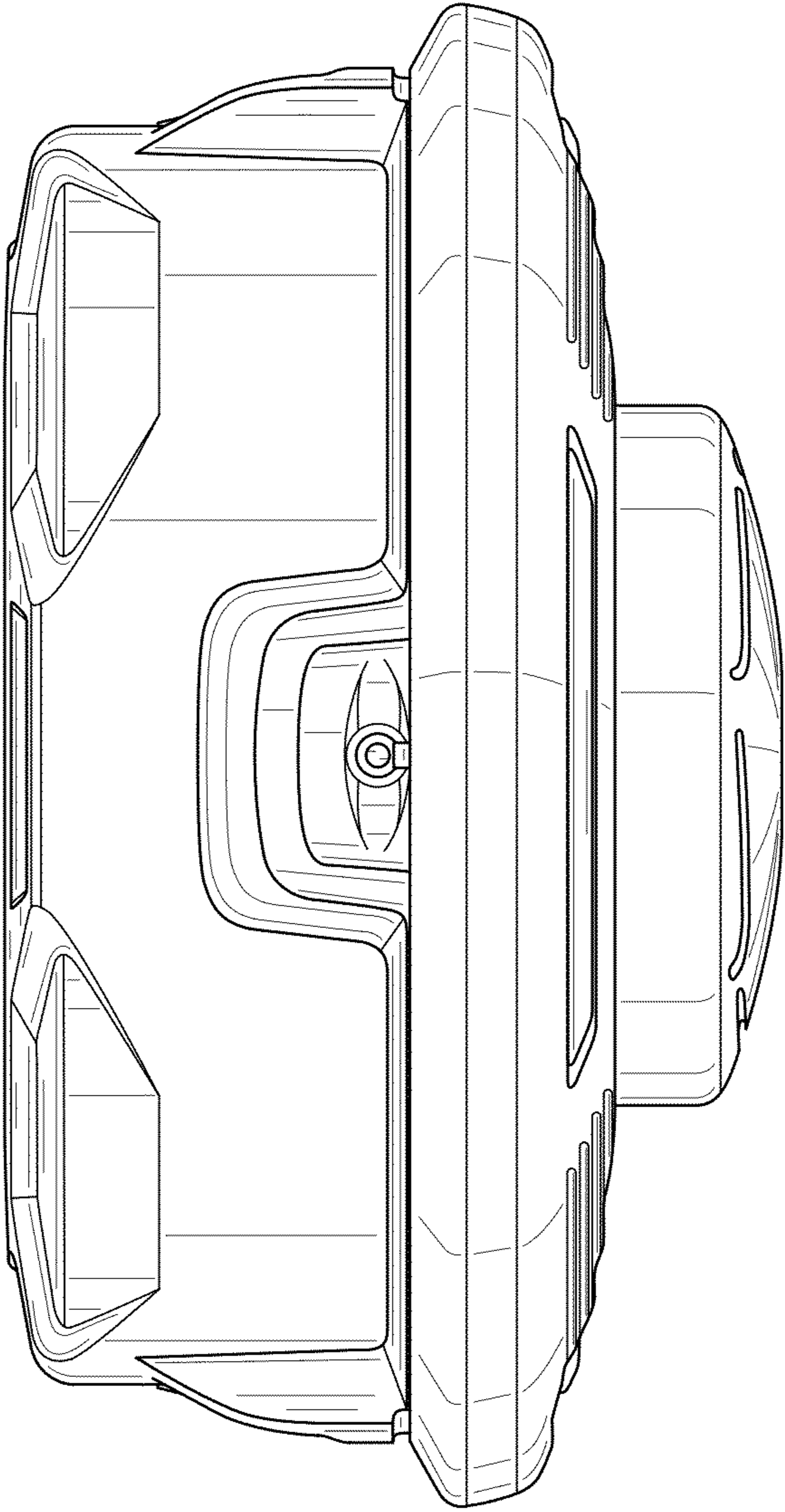


FIG. 5

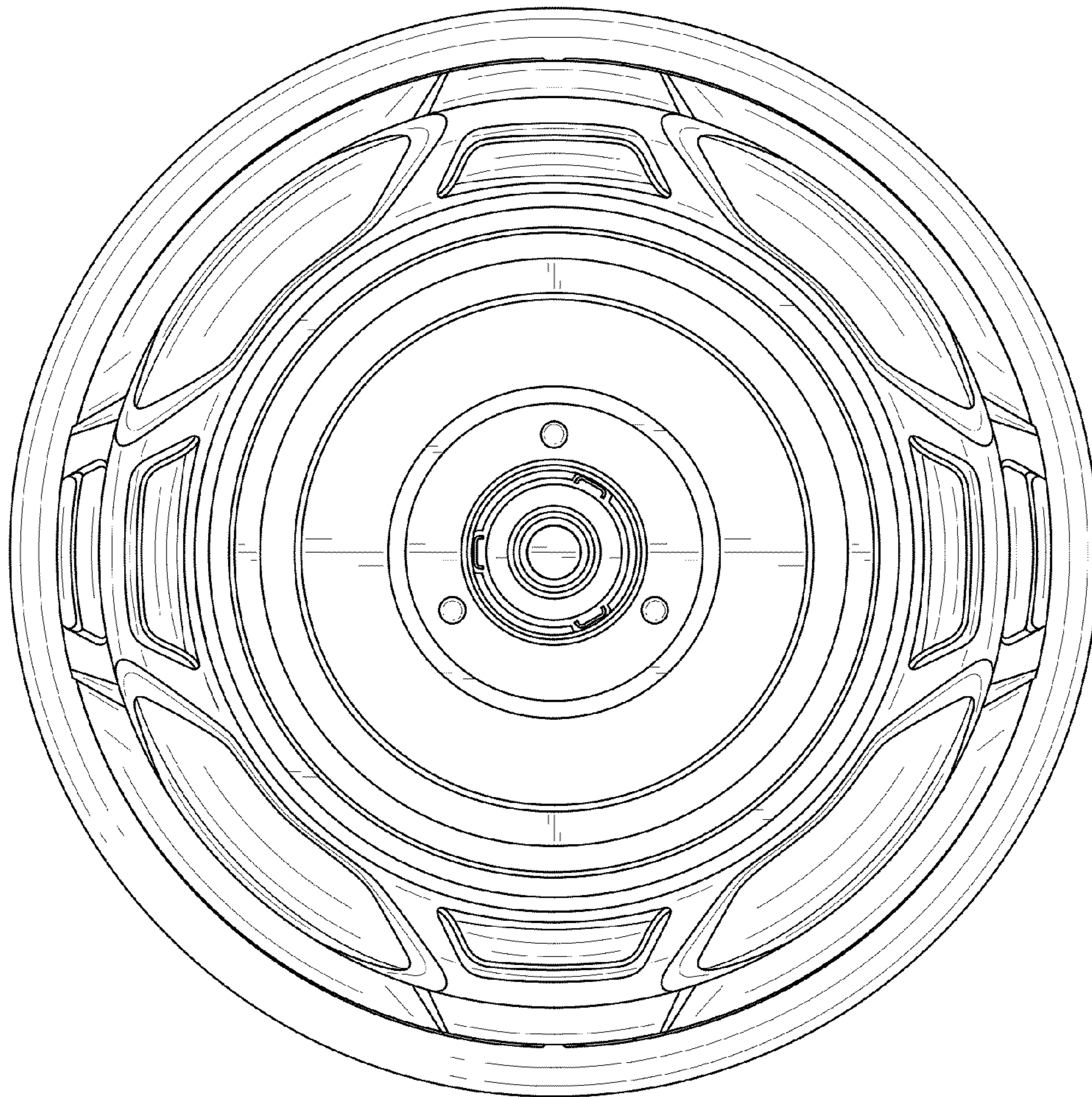


FIG. 6

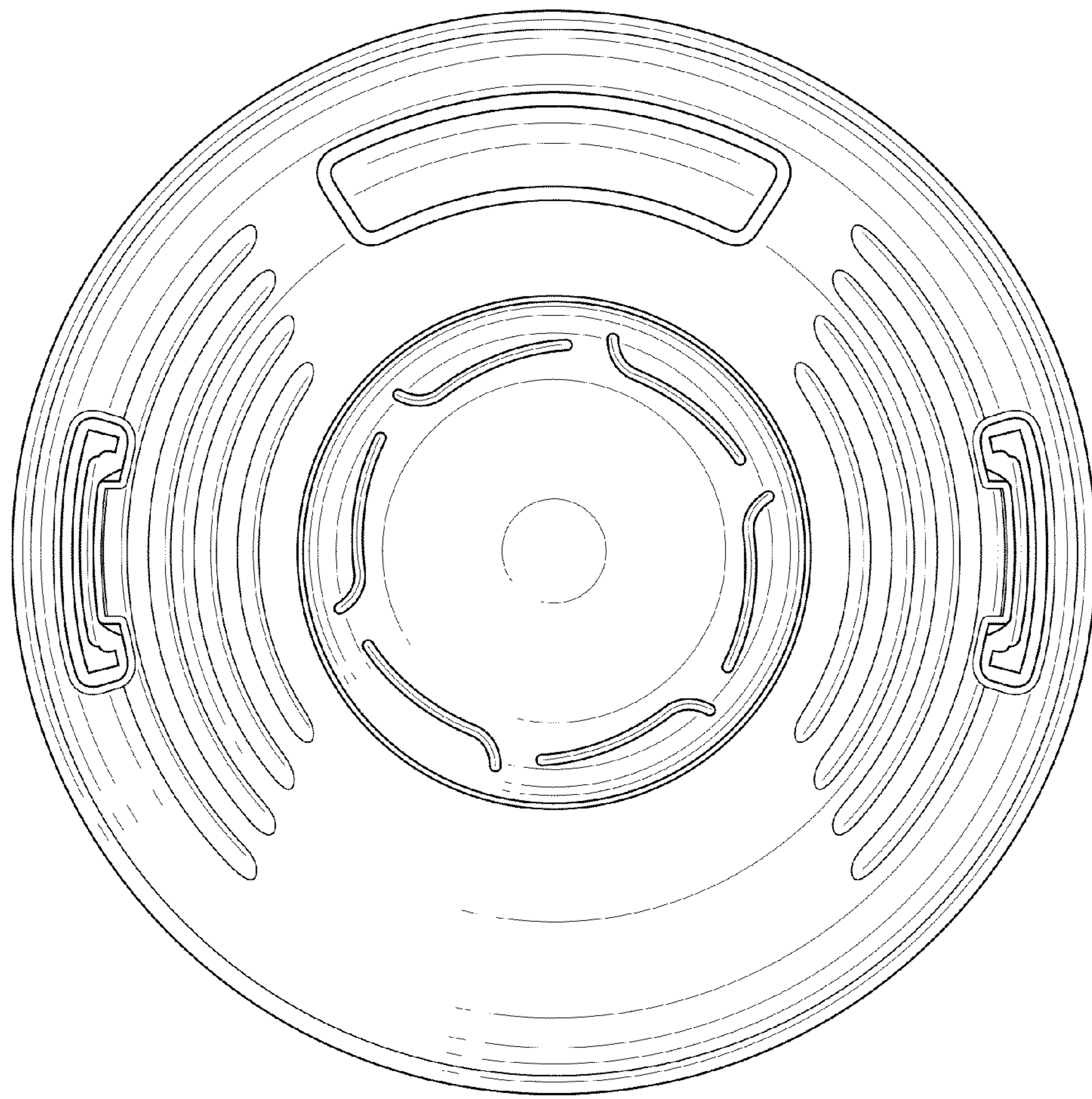


FIG. 7