



US00D759443S

(12) **United States Design Patent**
Christie

(10) **Patent No.:** **US D759,443 S**
(45) **Date of Patent:** **** Jun. 21, 2016**

(54) **WINE RACK MODULE**

(71) Applicant: **Miguel D. Christie**, Atlanta, GA (US)

(72) Inventor: **Miguel D. Christie**, Atlanta, GA (US)

(**) Term: **14 Years**

(21) Appl. No.: **29/495,109**

(22) Filed: **Jun. 27, 2014**

(51) **LOC (10) Cl.** **06-04**

(52) **U.S. Cl.**
USPC **D7/701**

(58) **Field of Classification Search**
USPC D7/701-708, 600.1-600.4; D6/672,
D6/673, 676.5, 677.5, 678.4, 680.3, 681,
D6/682.2, 702
CPC A47B 73/002; A47B 43/006; A47B 73/00;
A47G 23/0208; A47F 5/0892
See application file for complete search history.

(56) **References Cited**

U.S. PATENT DOCUMENTS

3,606,023	A	9/1971	Edmunds	
D243,738	S	3/1977	Johnson	
4,709,640	A *	12/1987	Jouanin A47B 47/0041 108/181
4,998,631	A	3/1991	Fridjhon	
5,624,169	A	4/1997	Bishop, Jr.	
6,763,956	B2	7/2004	Woods	
6,991,117	B2	1/2006	McCain	
7,882,967	B2	2/2011	Hynes	
7,959,019	B2	6/2011	Jette	
2013/0062300	A1	3/2013	Drake	
2013/0233814	A1	9/2013	Gupta	
2013/0334155	A1 *	12/2013	Kasza A47B 73/006 211/75

OTHER PUBLICATIONS

Found on the internet at: <http://www.cablewinesystems.com>. On May 16, 2014, 4 pages.

* cited by examiner

Primary Examiner — Terry Wallace

(74) *Attorney, Agent, or Firm* — Richard L. Miller

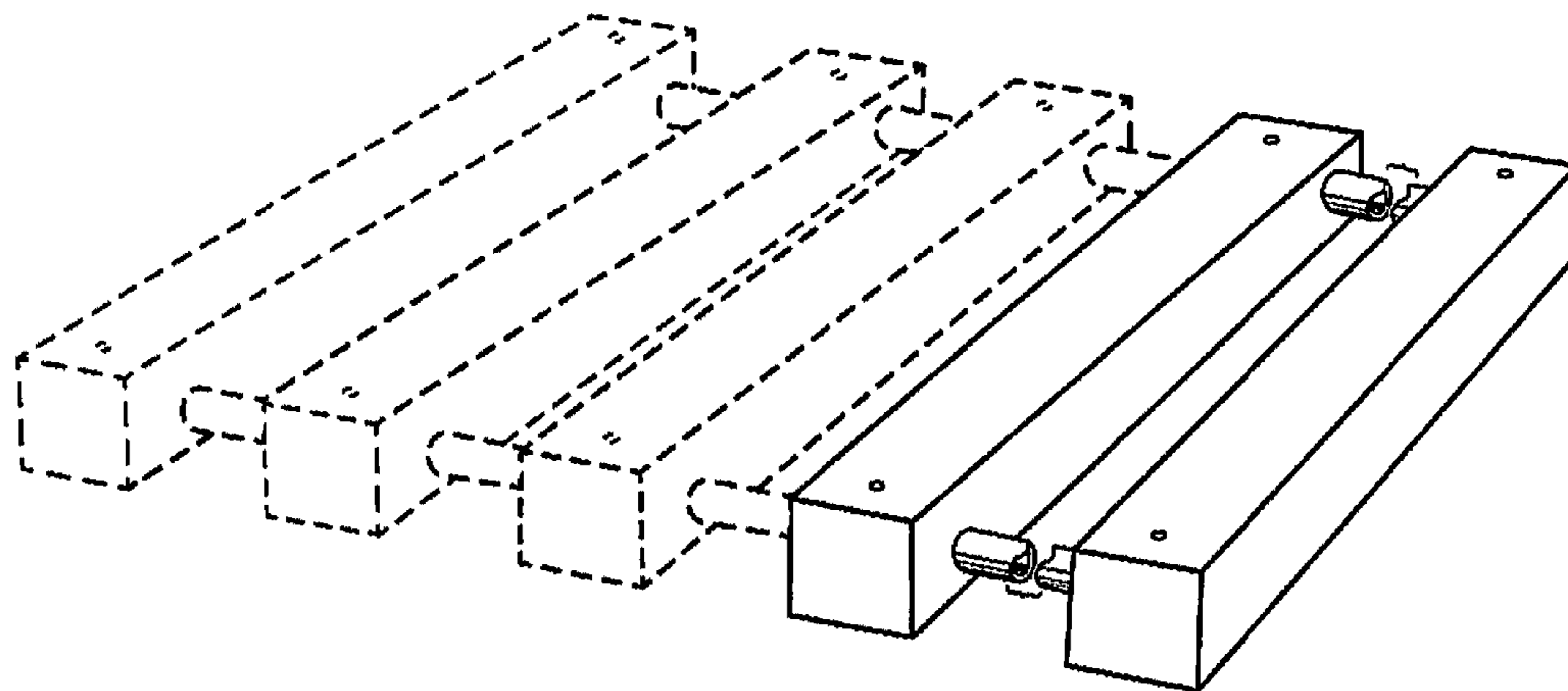
(57) **CLAIM**

The ornamental design for a wine rack module, as shown and described.

DESCRIPTION

FIG. 1 is a perspective view of a wine rack module showing my new design;
FIG. 2 is a front elevational view thereof, taken in the direction of arrow 2 in FIG. 7, it being understood that the rear elevational view is a mirror image thereof;
FIG. 3 is a left side elevational view thereof, taken in the direction of arrow 3 in FIG. 7;
FIG. 4 is a right side elevational view thereof, taken in the direction of arrow 4 in FIG. 7;
FIG. 5 is a top plan view thereof, taken in the direction of arrow 5 in FIG. 7;
FIG. 6 is a bottom plan view thereof, taken in the direction of arrow 6 in FIG. 7; and,
FIG. 7 is a perspective view thereof.
The broken lines are for illustrative purposes only and forms no part of the claim. The portions between the brackets is to indicate no particular length being claimed and any portion of the article between the break lines forms no part of the claimed design.

1 Claim, 4 Drawing Sheets



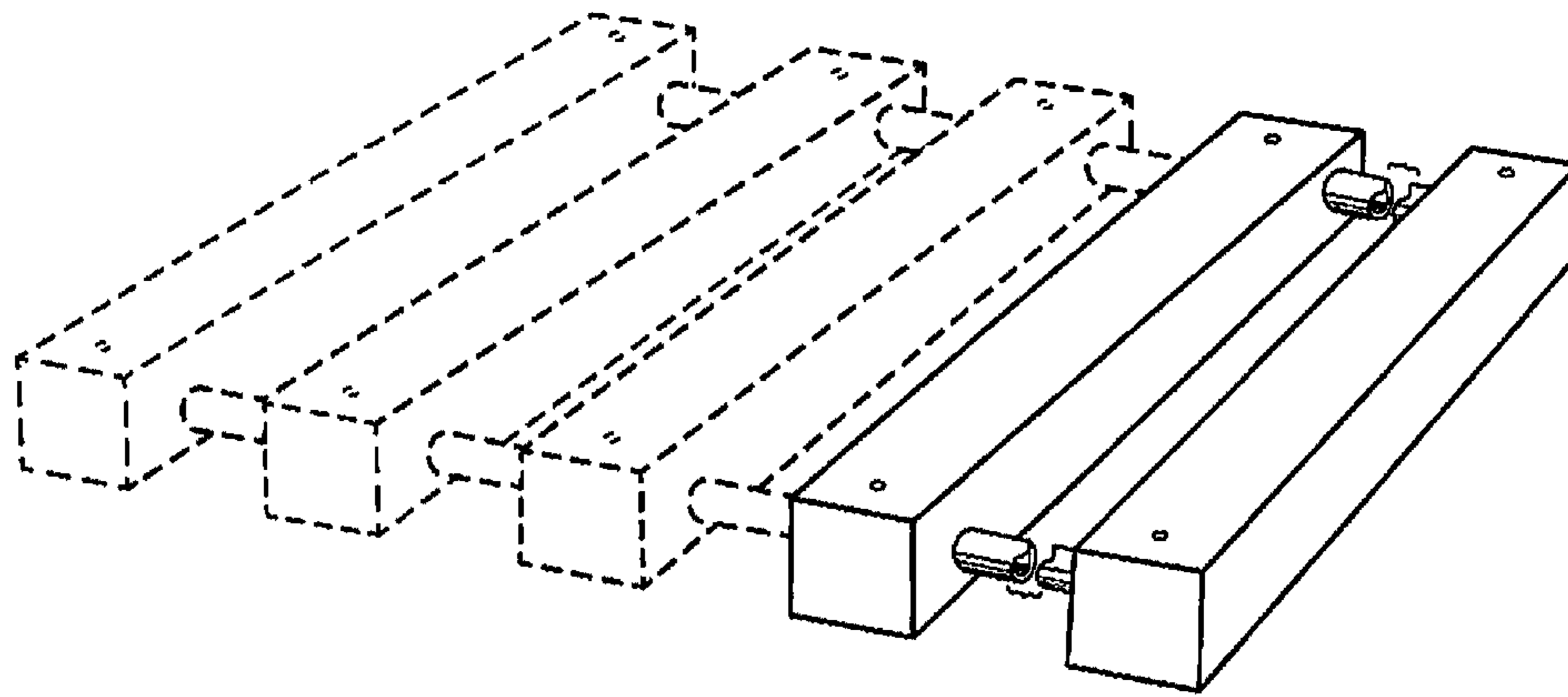


Fig. 1



Fig. 2



Fig. 3



Fig. 4

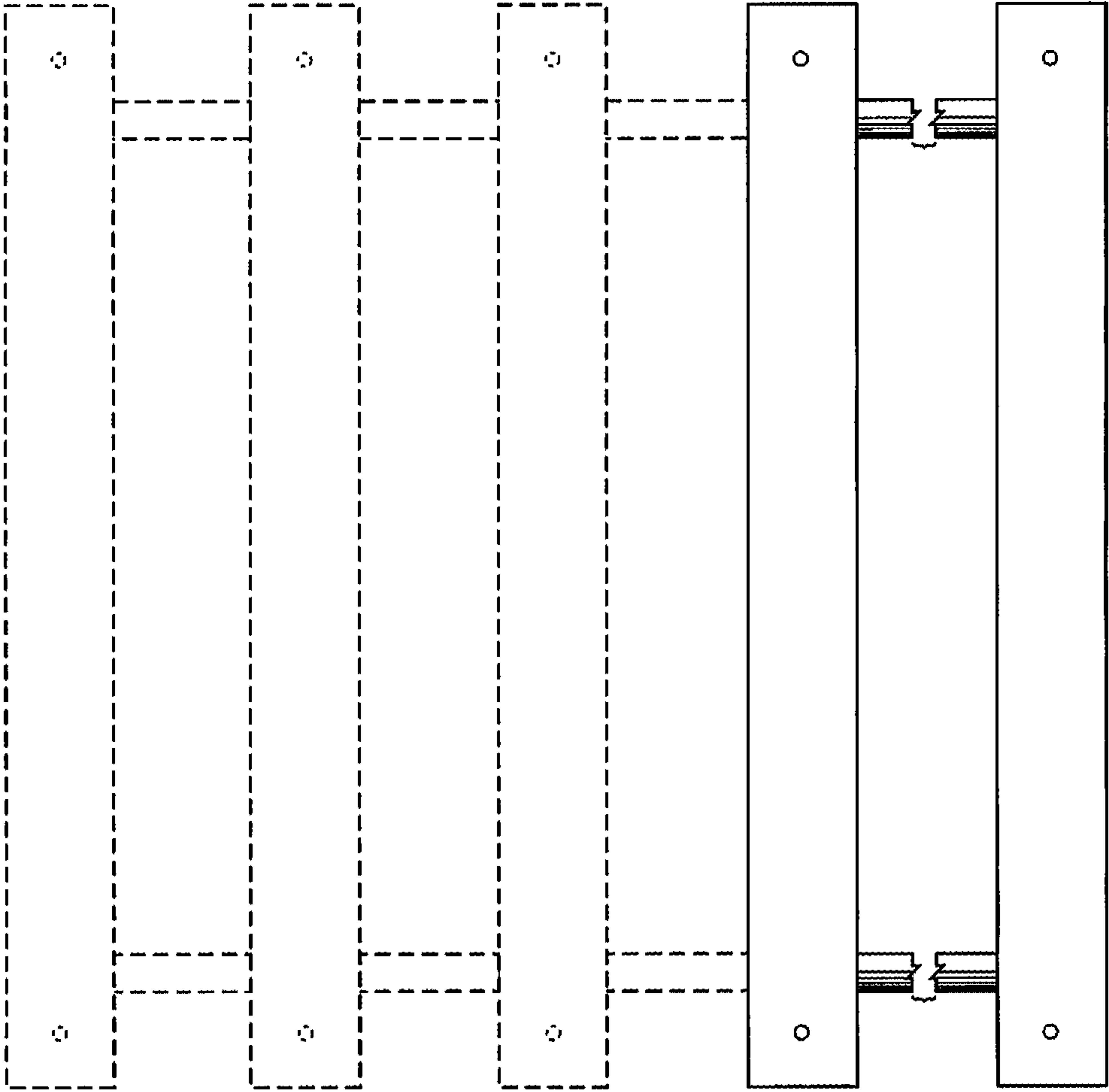


Fig.5

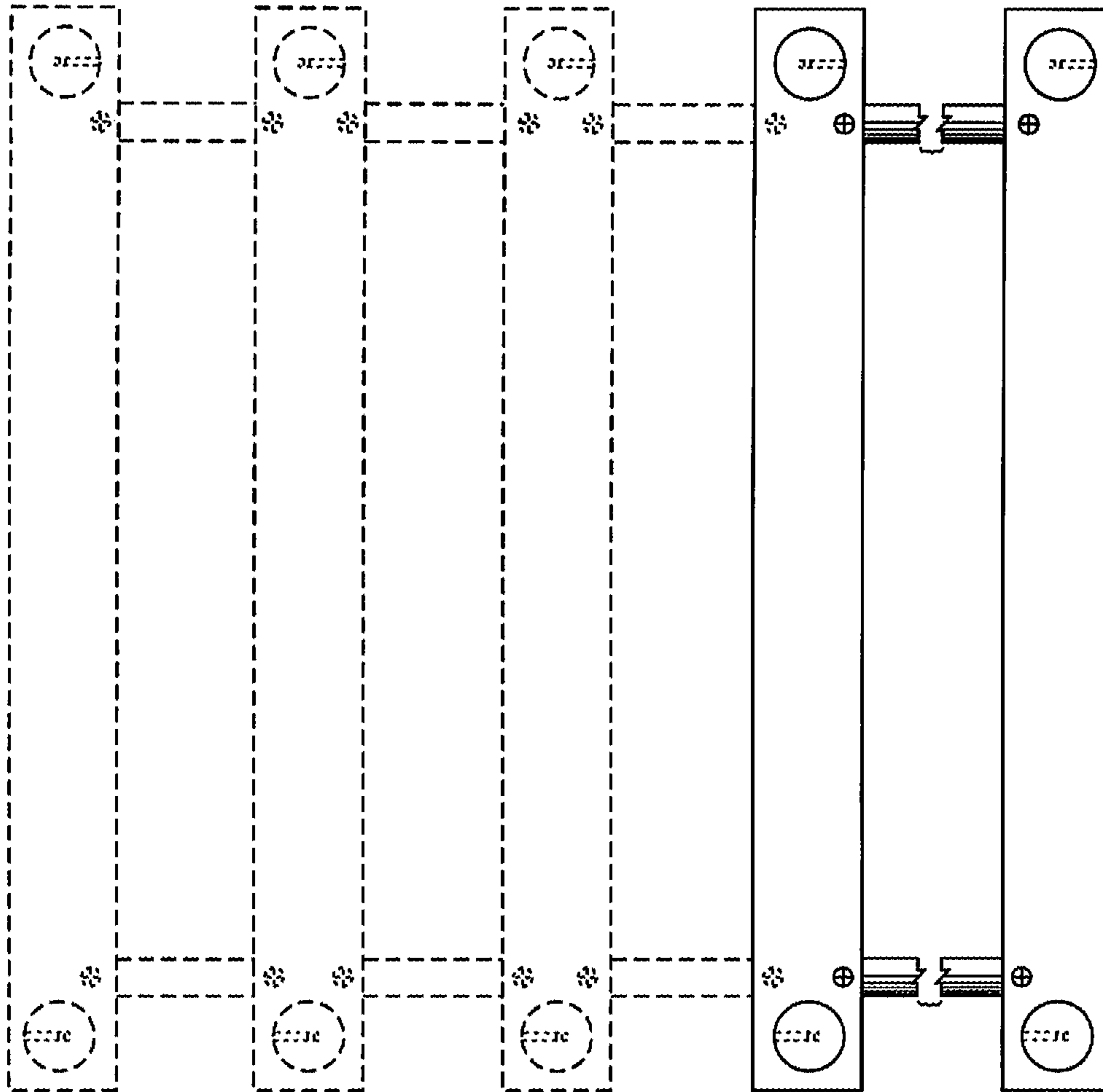


Fig.6

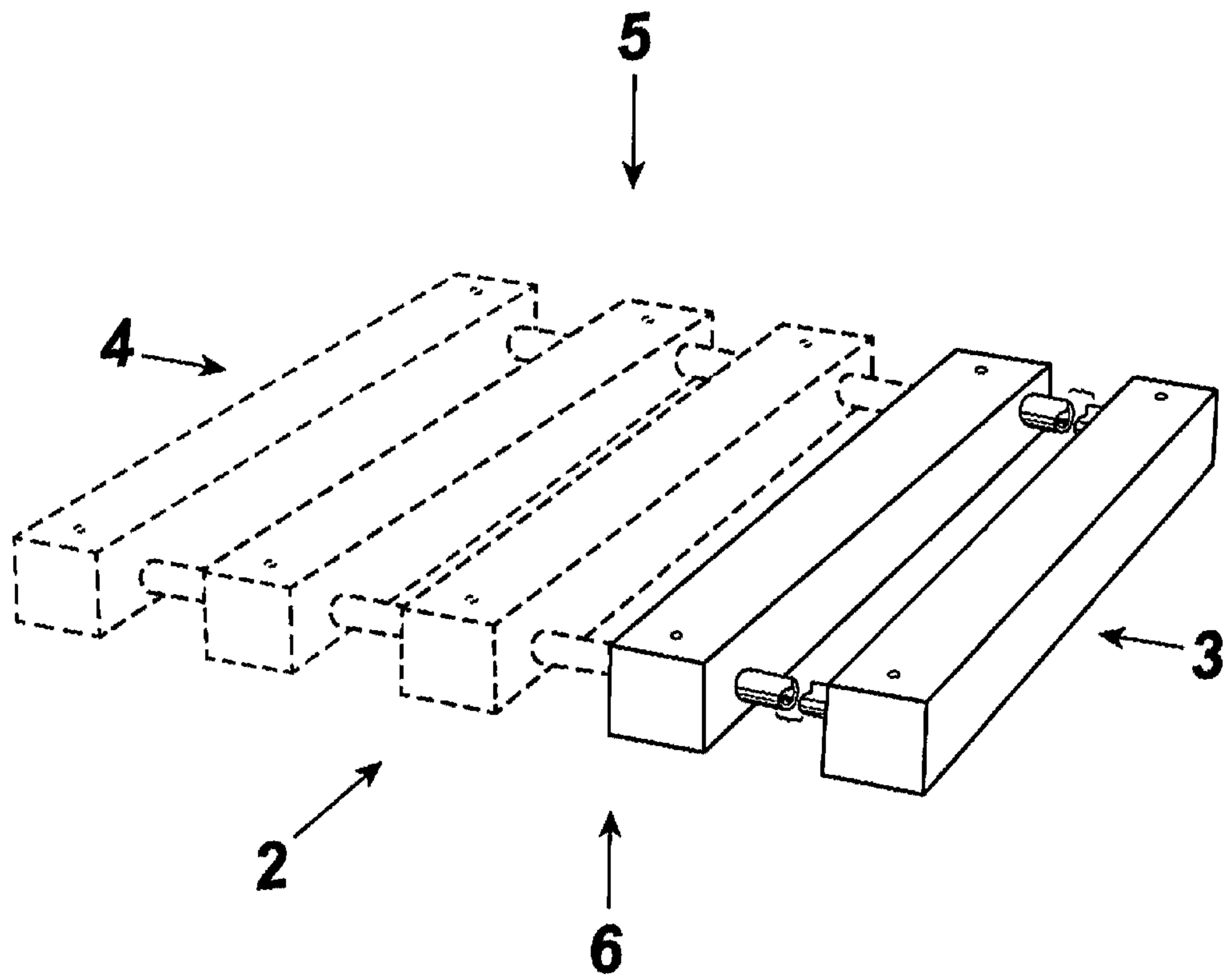


Fig.7