



US00D759439S

(12) **United States Design Patent**
Pietrzyk

(10) **Patent No.:** **US D759,439 S**
(45) **Date of Patent:** **** Jun. 21, 2016**

(54) **CONDIMENT MILL**

(71) Applicant: **PSP, Quingey (FR)**

(72) Inventor: **Jeremy Pietrzyk, Quingey (FR)**

(73) Assignee: **PSP, Quingey (FR)**

(**) Term: **14 Years**

(21) Appl. No.: **29/524,144**

(22) Filed: **Apr. 16, 2015**

(30) **Foreign Application Priority Data**

Oct. 17, 2014 (EM) 002 559 492-0001

(51) **LOC (10) Cl.** **07-04**

(52) **U.S. Cl.**
USPC **D7/679**

(58) **Field of Classification Search**
USPC D7/679, 590-597, 372, 373
CPC A47J 43/25; A47J 43/255; A47J 42/34
See application file for complete search history.

(56) **References Cited**

U.S. PATENT DOCUMENTS

D530,993 S * 10/2006 Kolflat D7/679
7,367,519 B2 * 5/2008 de Groote A47J 19/04
241/168
D654,761 S * 2/2012 Herbst D11/146
8,220,732 B2 * 7/2012 Griffin A47J 43/04
241/169.1
D695,067 S * 12/2013 Wilson D7/401.1

* cited by examiner

Primary Examiner — Terry Wallace

(74) *Attorney, Agent, or Firm* — Im IP Law PLLC; C. Andrew Im

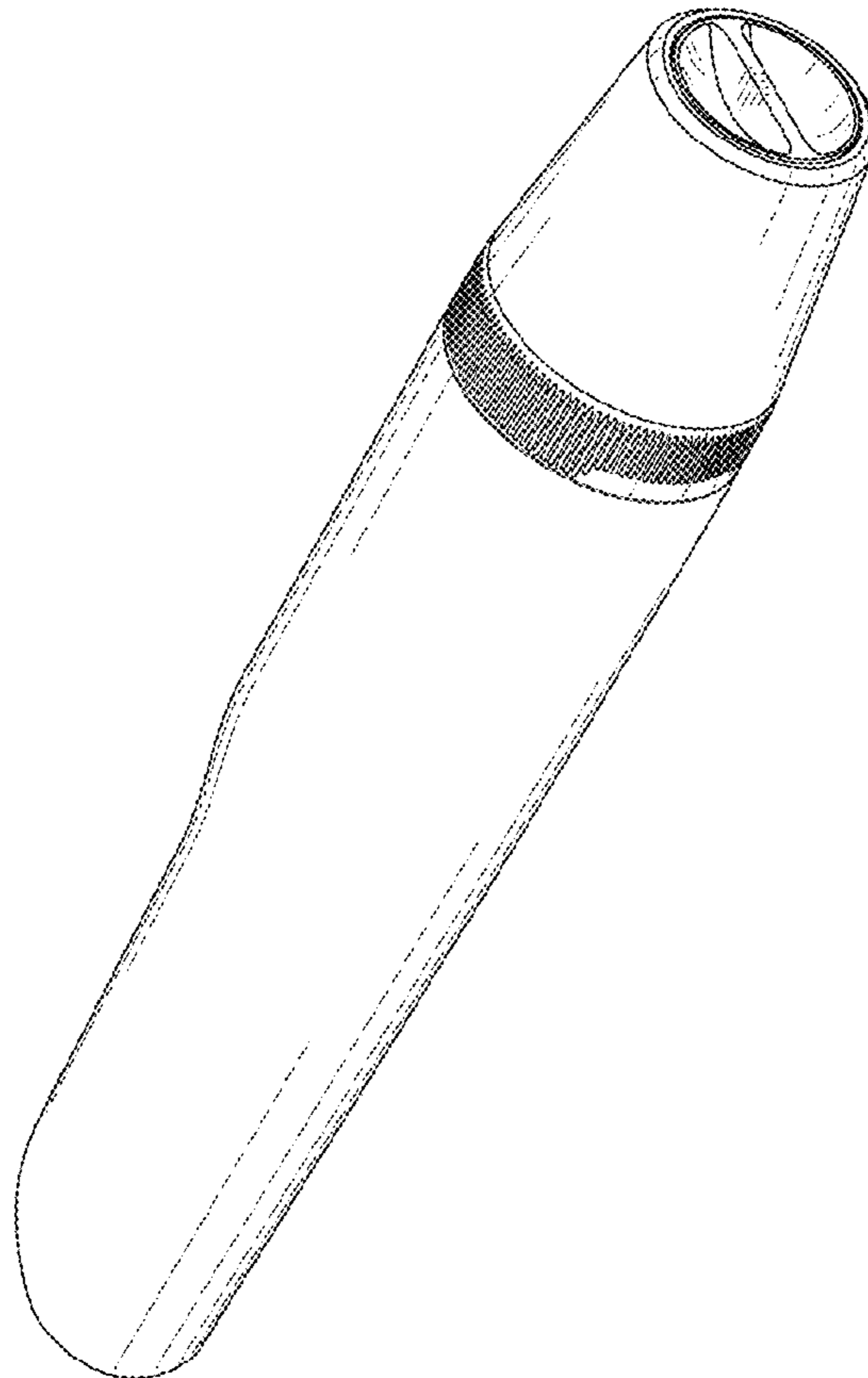
(57) **CLAIM**

The ornamental design for a condiment mill, as shown and described.

DESCRIPTION

FIG. 1 is a front perspective view of a condiment mill;
FIG. 2 is a front view of the condiment mill;
FIG. 3 is a rear view of the condiment mill;
FIG. 4 is a right side view of the condiment mill;
FIG. 5 is a left side view of the condiment mill;
FIG. 6 is a top view of the condiment mill; and,
FIG. 7 is a bottom view of the condiment mill.

1 Claim, 4 Drawing Sheets



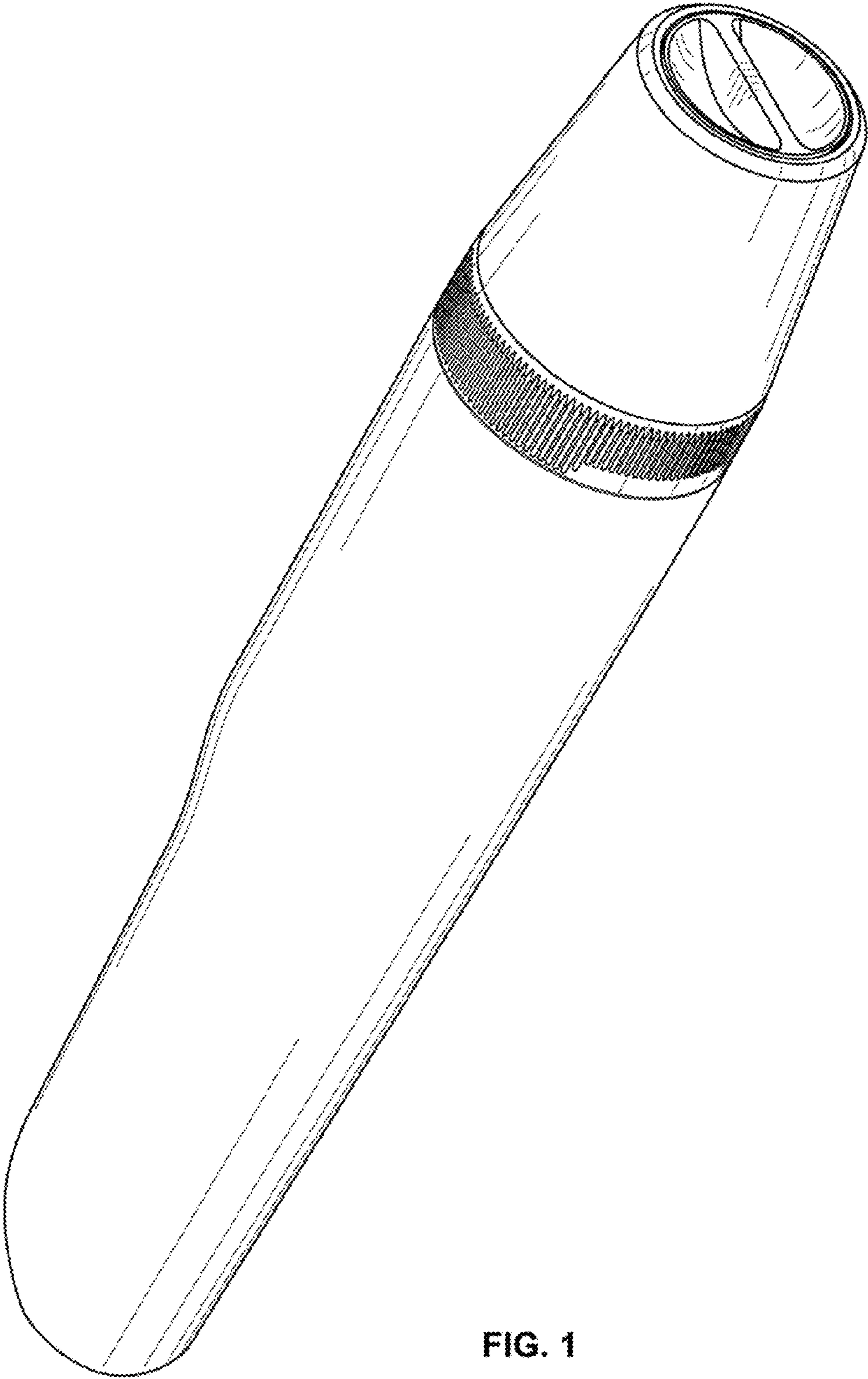


FIG. 1

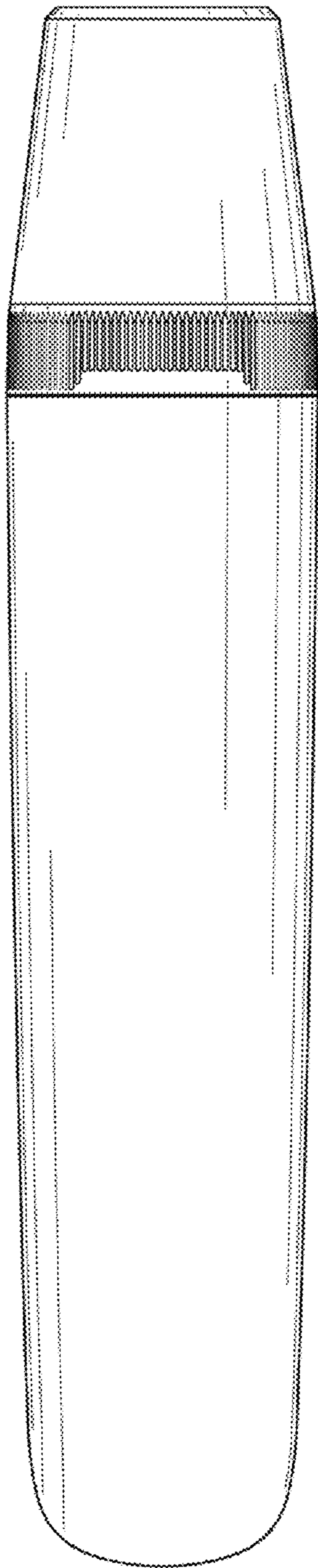


FIG. 2

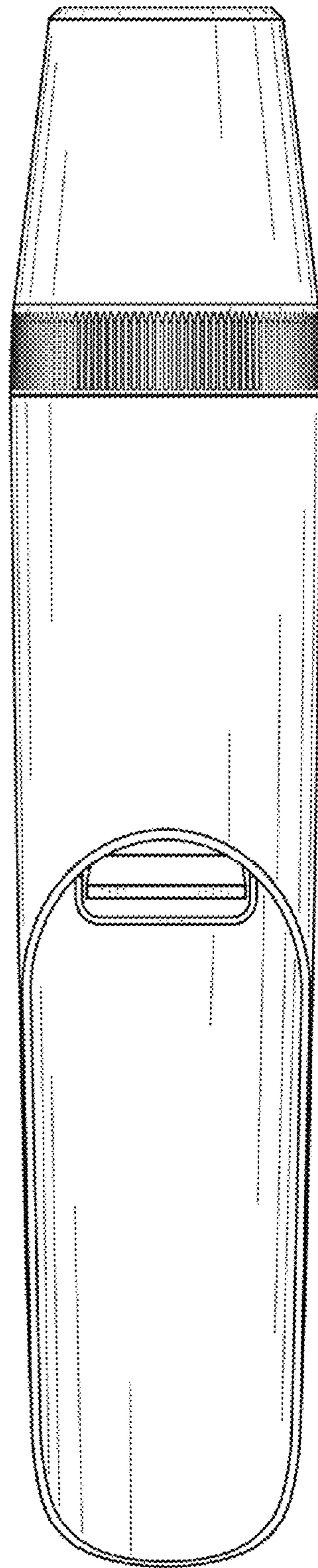


FIG. 3

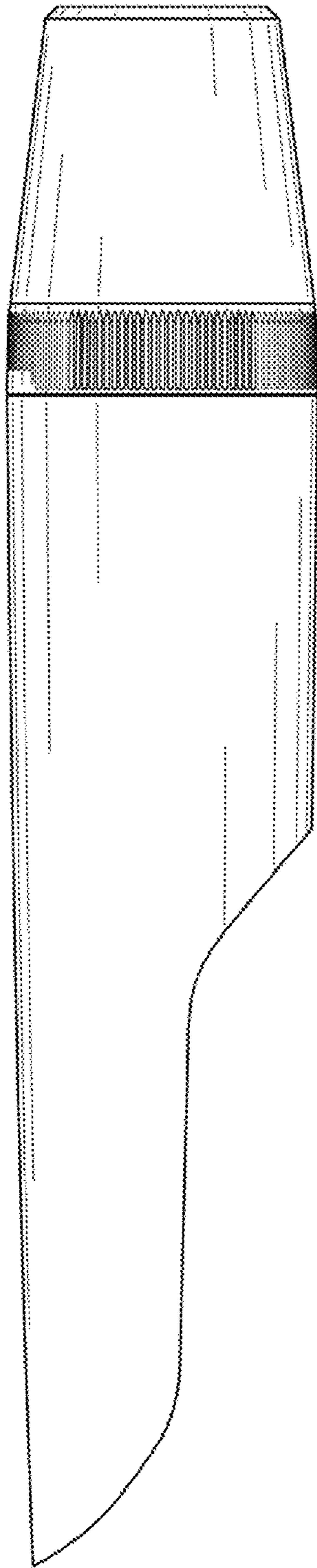


FIG. 4

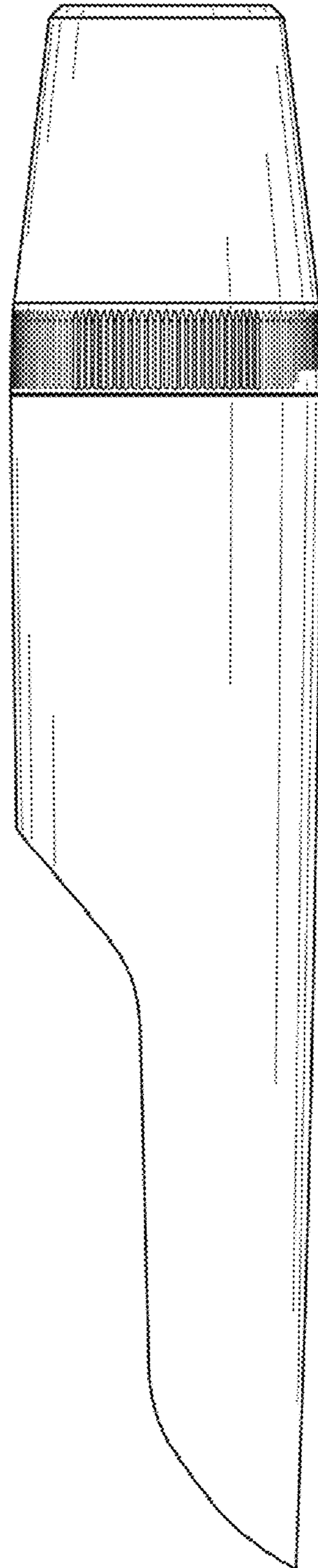


FIG. 5

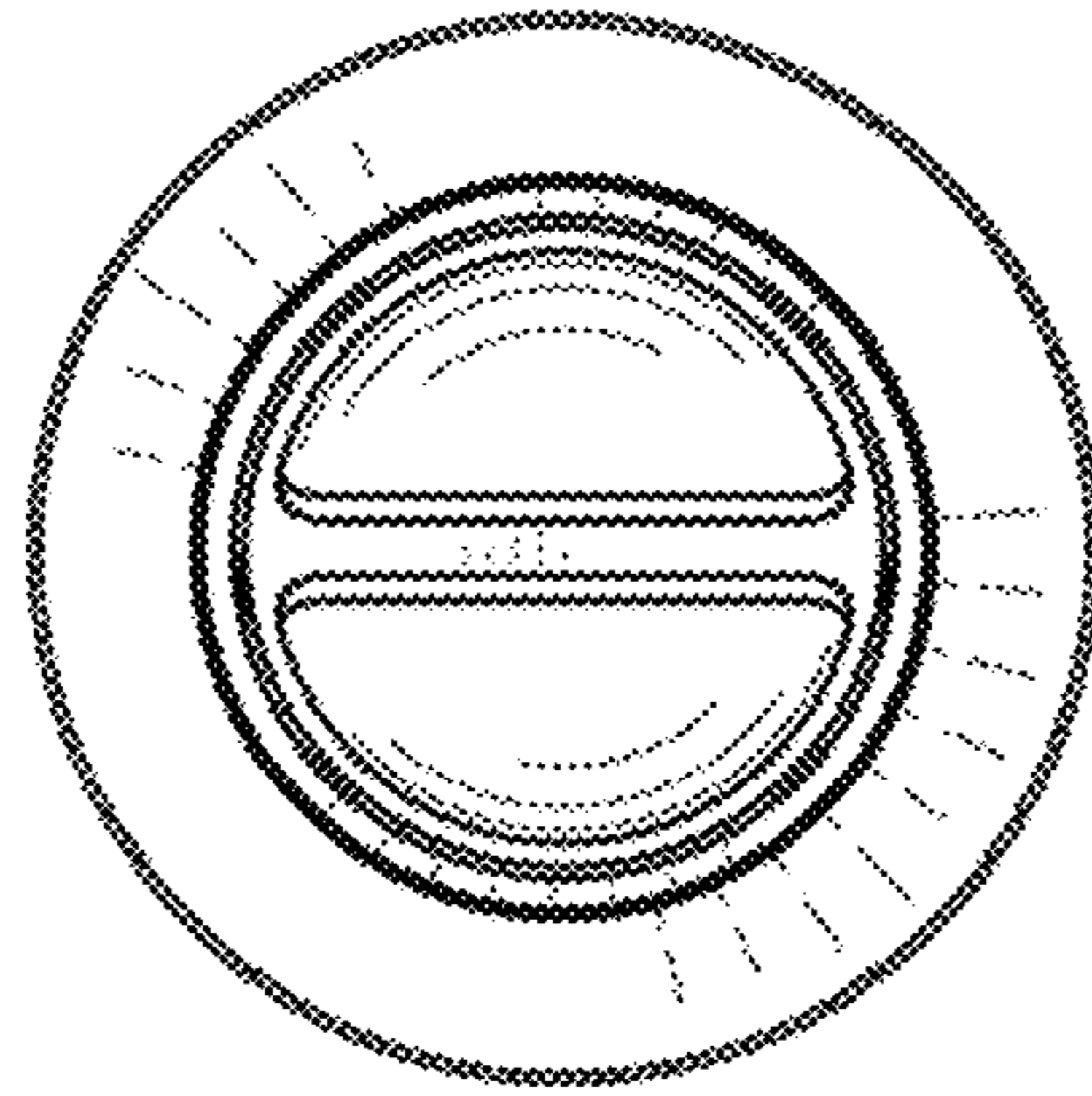


FIG. 6

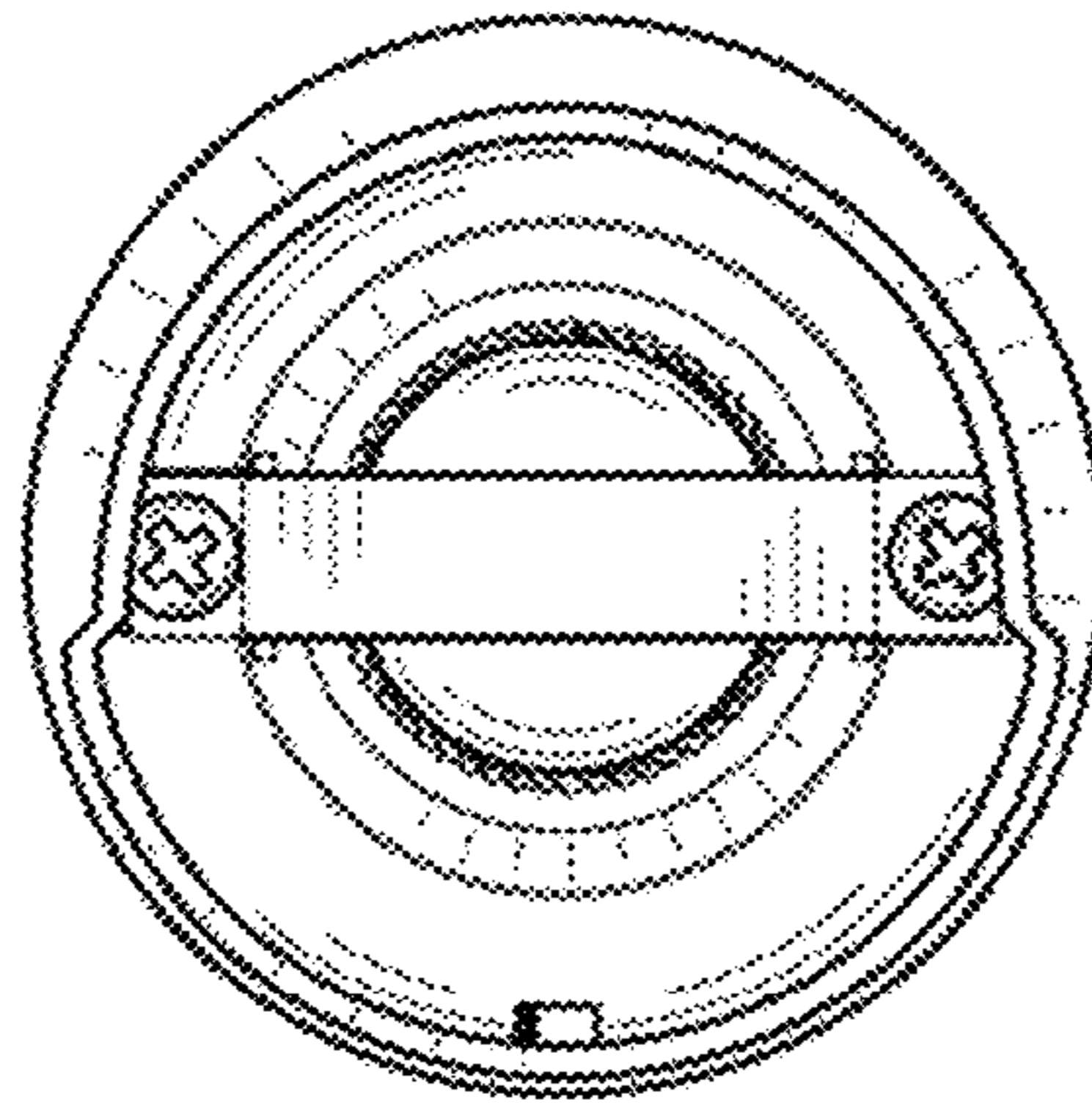


FIG. 7