



US00D759438S

(12) **United States Design Patent**
Dukat

(10) **Patent No.:** **US D759,438 S**
(45) **Date of Patent:** **** Jun. 21, 2016**

(54) **HERB GRINDING DEVICE**

(71) Applicant: **Dane Joseph Dukat**, Mesa, AZ (US)

(72) Inventor: **Dane Joseph Dukat**, Mesa, AZ (US)

(**) Term: **14 Years**

(21) Appl. No.: **29/520,464**

(22) Filed: **Mar. 13, 2015**

Related U.S. Application Data

(63) Continuation-in-part of application No. 29/511,180, filed on Dec. 8, 2014.

(51) **LOC (10) Cl.** **07-04**

(52) **U.S. Cl.**
USPC **D7/679; D7/372**

(58) **Field of Classification Search**
USPC D7/679, 590-598, 372-374, 401.1, 383, D7/384
CPC A47J 42/08; A47J 42/38; A47J 42/04; A47J 42/46; A47J 42/18; A47J 42/14; A47J 42/34; A47J 42/40; A47J 43/25; A47J 43/255; B02C 18/16; B02C 18/18; B02C 18/24
See application file for complete search history.

(56) **References Cited**

U.S. PATENT DOCUMENTS

- 6,247,661 B1 * 6/2001 Chainani A47J 42/04
241/169.1
- D474,378 S * 5/2003 Brandenburg D7/679
- 6,945,486 B2 * 9/2005 Teng A47J 19/06
241/169.1
- 7,422,170 B2 * 9/2008 Bao B02C 18/24
241/168
- 8,083,167 B1 * 12/2011 Namakian 241/169.1
- 8,393,563 B2 * 3/2013 Chaoui B02C 18/08
241/168

- D714,595 S * 10/2014 Ducey D7/372
- 2012/0097774 A1 * 4/2012 Hainbach A47J 42/14
241/101.2
- 2013/0015278 A1 * 1/2013 Edwards A47J 42/40
241/69
- 2013/0214068 A1 * 8/2013 Camitta B02C 18/16
241/25

* cited by examiner

Primary Examiner — Terry Wallace

(74) *Attorney, Agent, or Firm* — Weiss & Moy, P.C; Jeffrey D. Moy

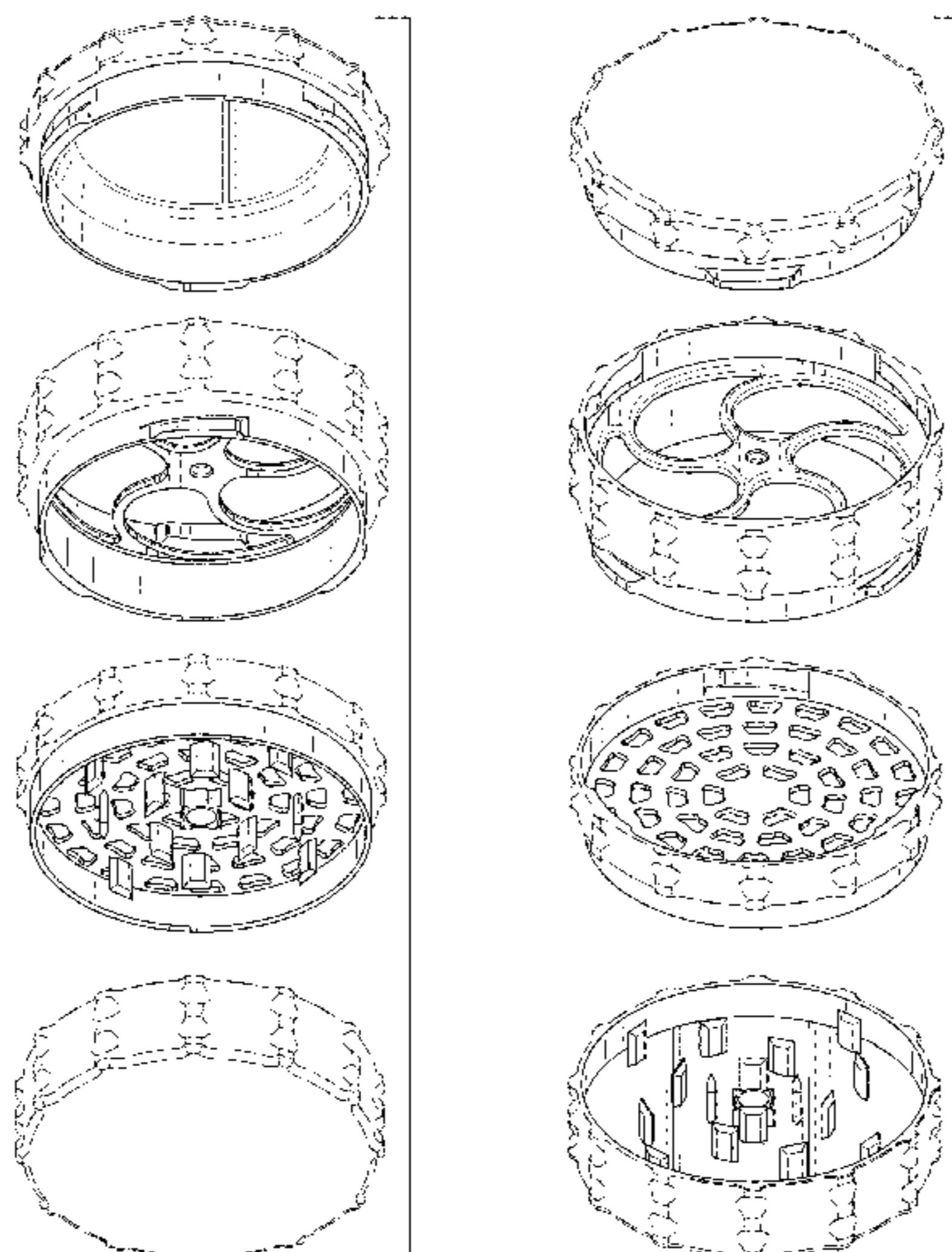
(57) **CLAIM**

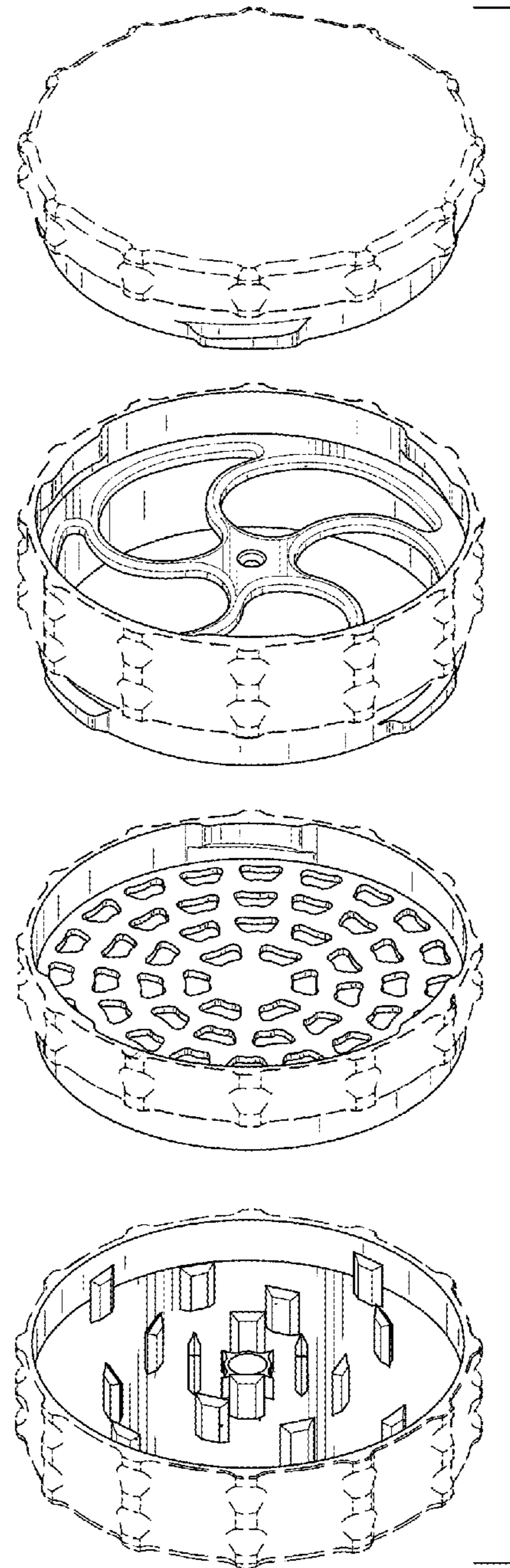
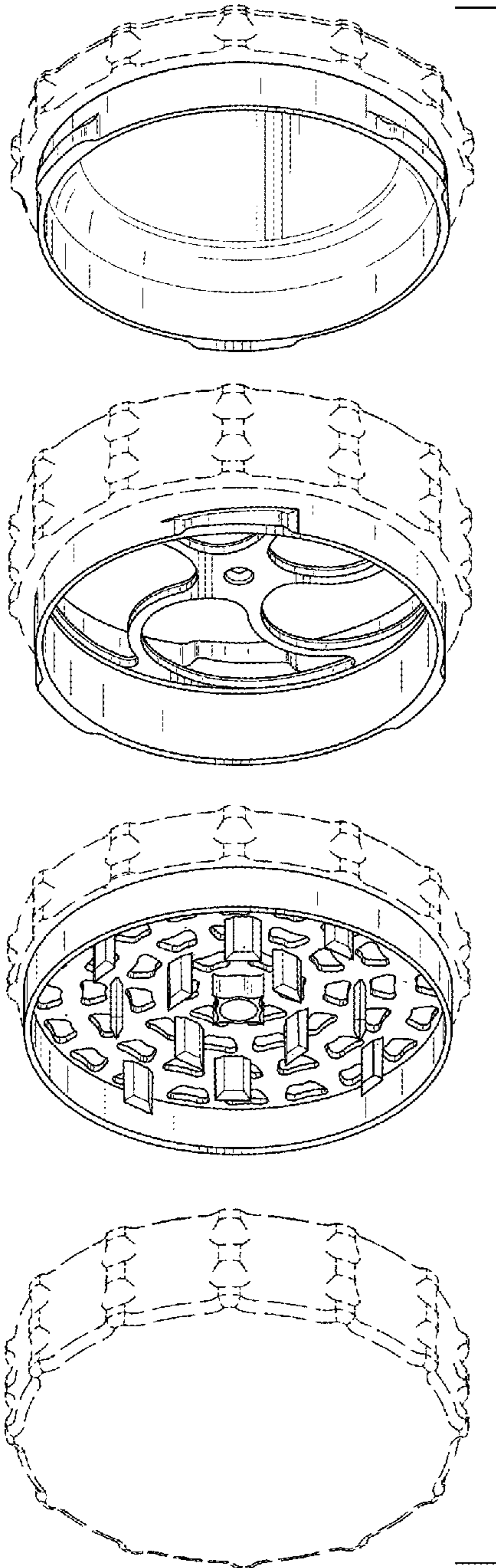
The ornamental design for the herb grinding device, as shown and described.

DESCRIPTION

FIG. 1 is an exploded top perspective view of the herb grinding device showing my new design;
 FIG. 2 is an exploded bottom perspective view thereof;
 FIG. 3 is an exploded left side view thereof;
 FIG. 4 is an exploded front side view thereof;
 FIG. 5 is an exploded right side view thereof;
 FIG. 6 is an exploded rear side view thereof;
 FIG. 7 is a top view thereof, the opposite, bottom being identical to the top;
 FIG. 8 is a top view of the bottom section thereof;
 FIG. 9 is a bottom view of the top section thereof;
 FIG. 10 is a bottom view of the second section thereof;
 FIG. 11 is a top view of the second section thereof;
 FIG. 12 is a bottom view of the third section thereof; and,
 FIG. 13 is a top view of the third section thereof.
 The sections are shown separately for clarity and ease of illustration.
 The broken lines in the drawings illustrate features that form no part of the claimed design.

1 Claim, 5 Drawing Sheets





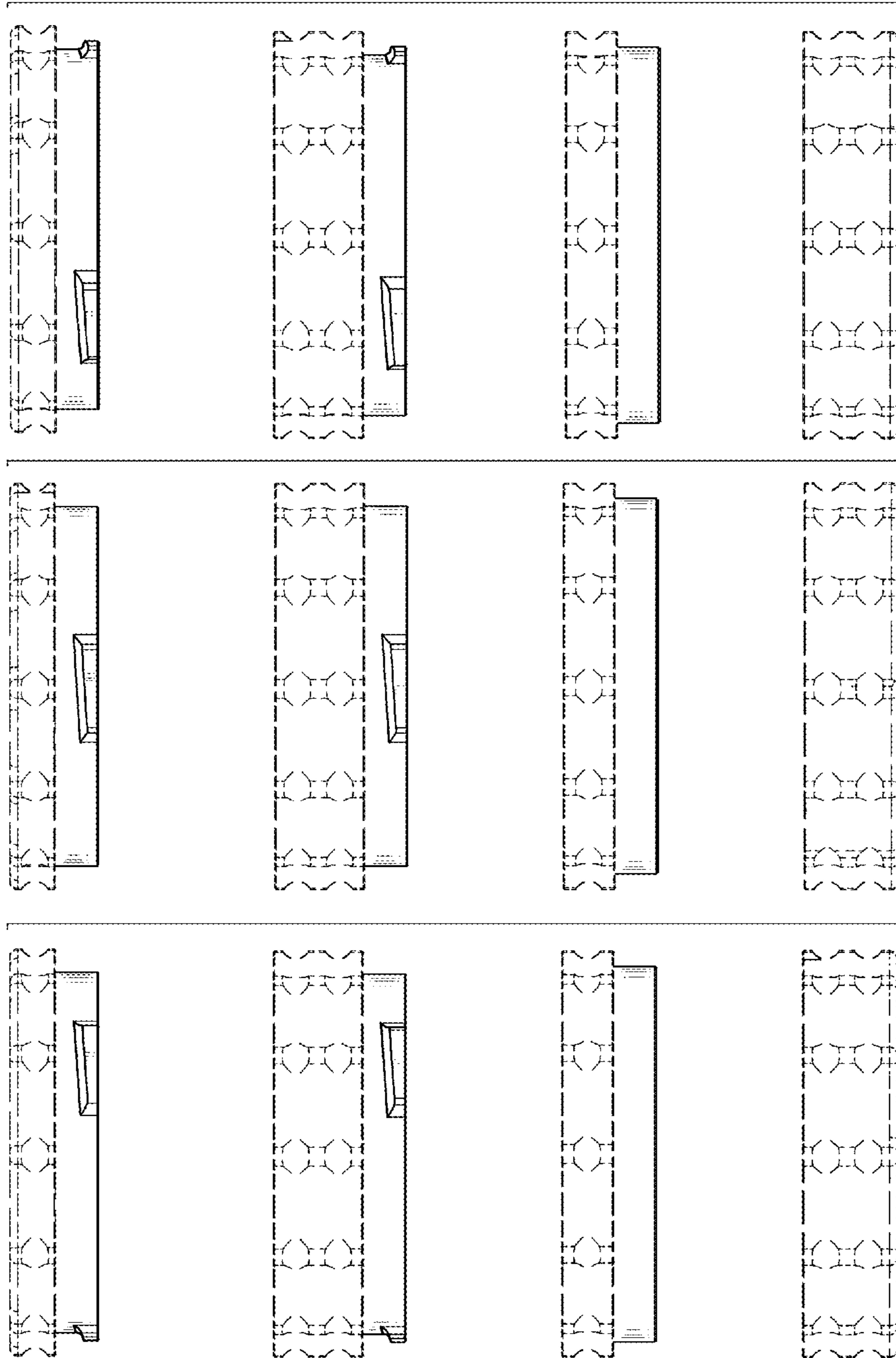
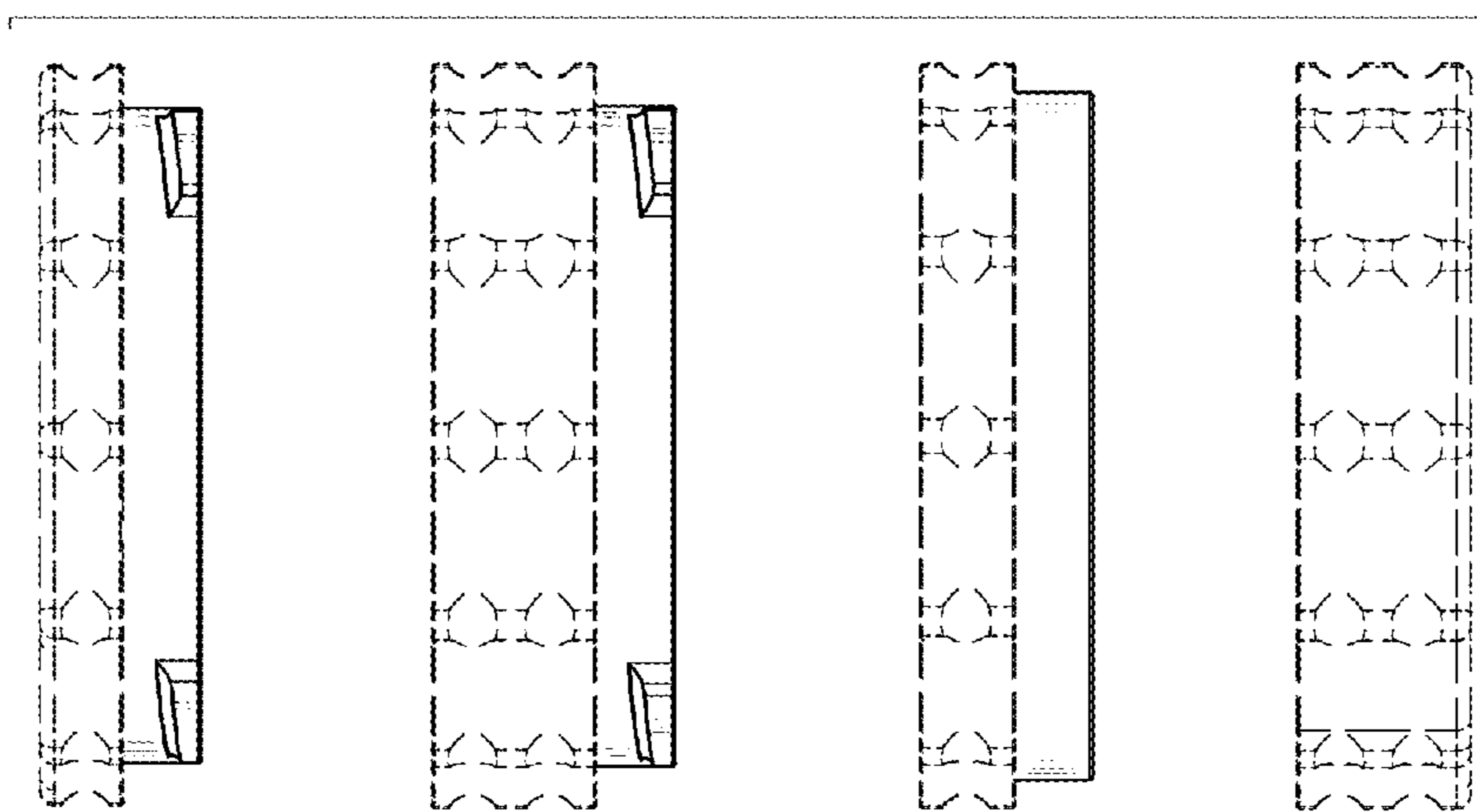
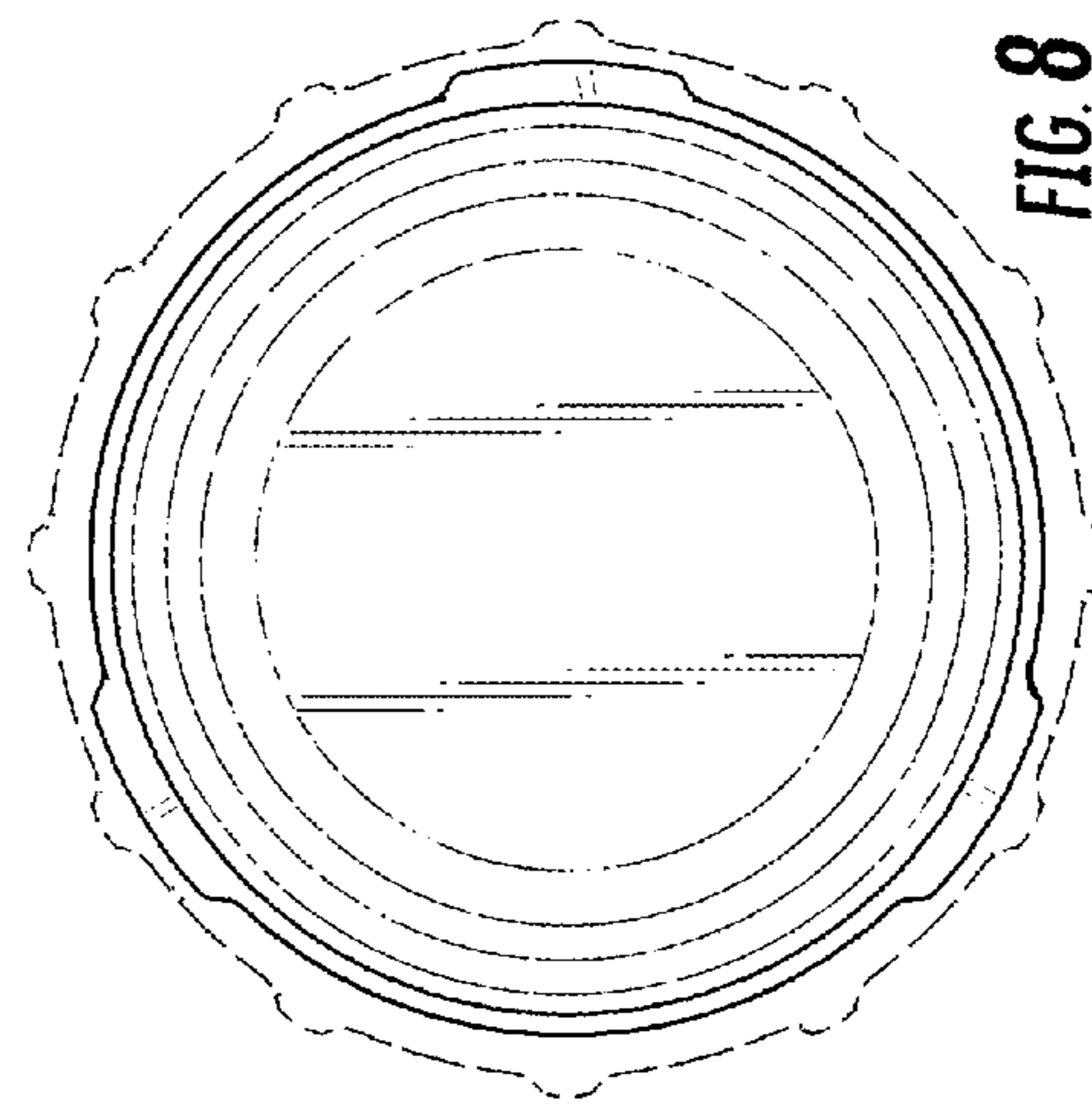
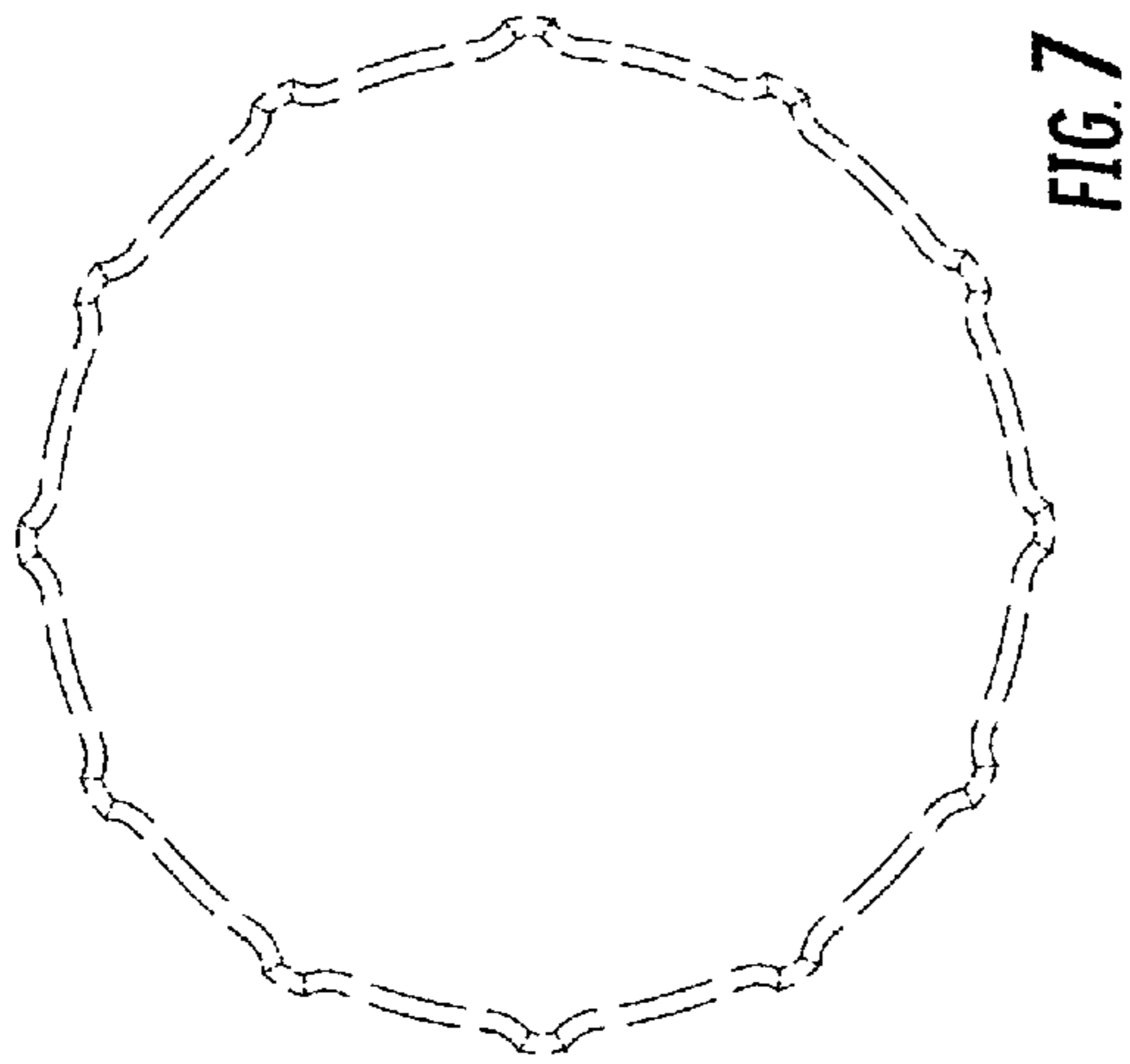


FIG. 5

FIG. 4

FIG. 3



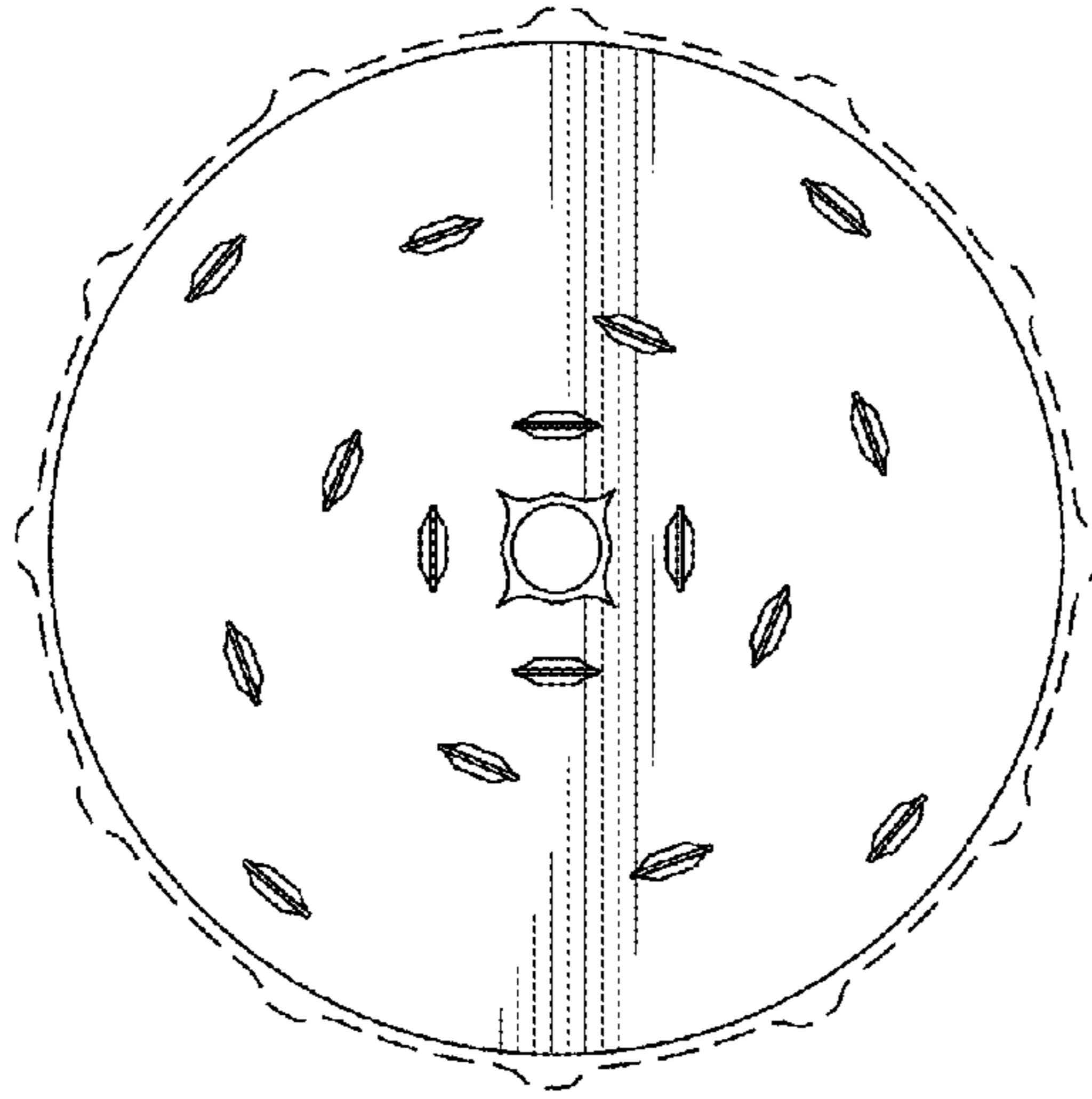


FIG. 9

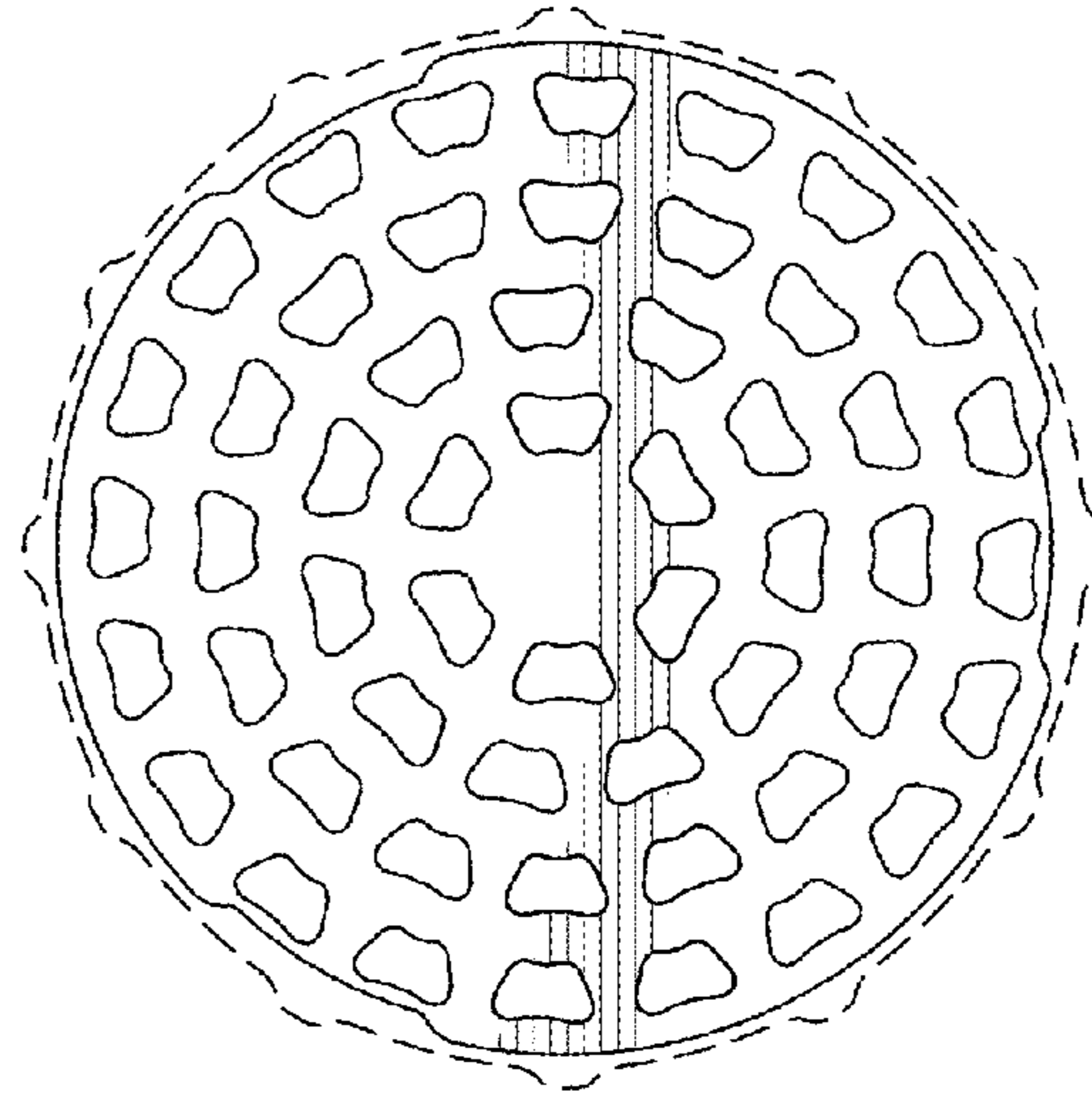


FIG. 10

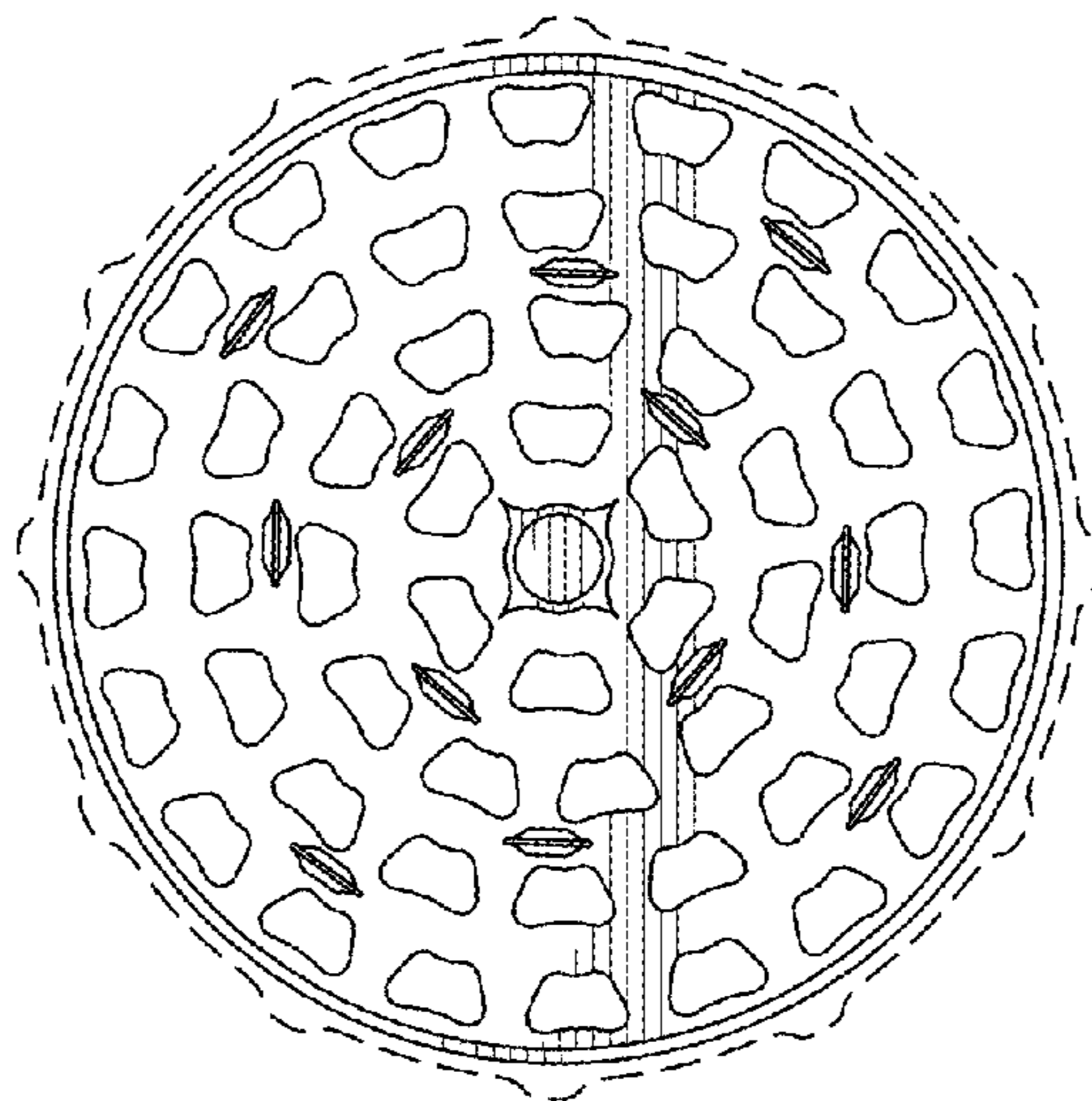


FIG. 11

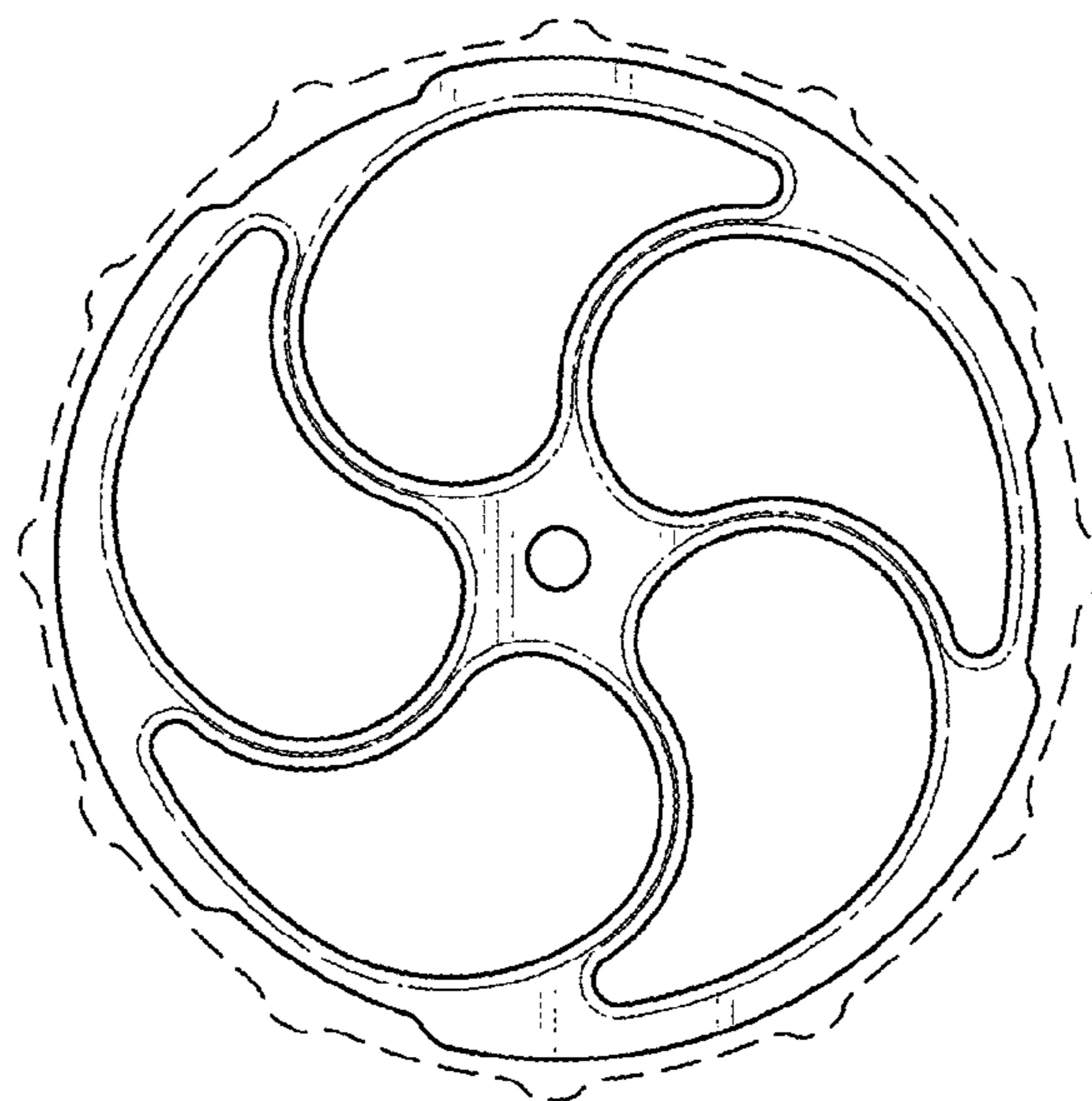


FIG. 12

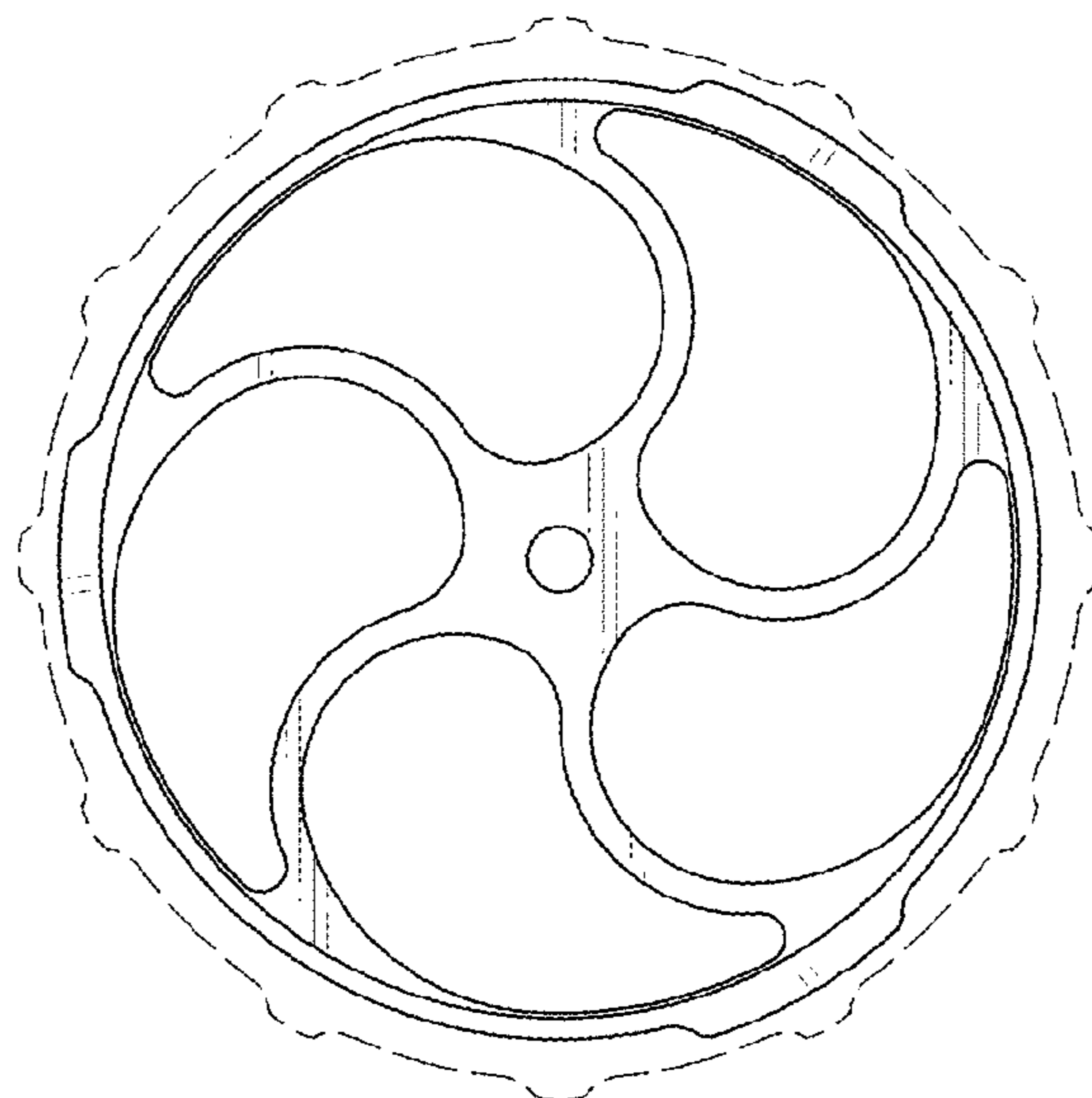


FIG. 13