



US00D759437S

(12) **United States Design Patent**  
**Boue**

(10) **Patent No.:** **US D759,437 S**  
(45) **Date of Patent:** **\*\* Jun. 21, 2016**

- (54) **DISPENSER FOR CONDIMENTS**
- (71) Applicant: **Bernard Boue**, Agde (FR)
- (72) Inventor: **Bernard Boue**, Agde (FR)
- (\*\*) Term: **14 Years**
- (21) Appl. No.: **29/495,033**
- (22) Filed: **Jun. 26, 2014**
- (51) **LOC (10) Cl.** ..... **07-06**
- (52) **U.S. Cl.**  
USPC ..... **D7/679; D7/599**
- (58) **Field of Classification Search**  
USPC ..... **D7/679, 590-599; D3/255**  
CPC ..... **A47J 42/04; A47J 43/25; A47J 42/34;**  
**B65D 47/243**  
See application file for complete search history.

(56) **References Cited**

**U.S. PATENT DOCUMENTS**

D382,397 S *	8/1997	Wu	.....	D3/255
D413,018 S *	8/1999	Boldig	.....	D3/255
D445,305 S	7/2001	Dutour		
6,513,653 B1 *	2/2003	Chen	.....	A63B 55/53 206/315.7
D491,767 S *	6/2004	Kaposi	.....	D7/598
D506,361 S *	6/2005	Lee	.....	D7/679
D536,931 S	2/2007	Spellman		
D582,215 S *	12/2008	Yang	.....	D7/598
D588,872 S	3/2009	Gospodarski		
D652,260 S	1/2012	Miller		
D679,145 S	4/2013	Wisniewski		

\* cited by examiner

*Primary Examiner* — Terry Wallace  
(74) *Attorney, Agent, or Firm* — Andrew W. Chu; Craft Chu PLLC

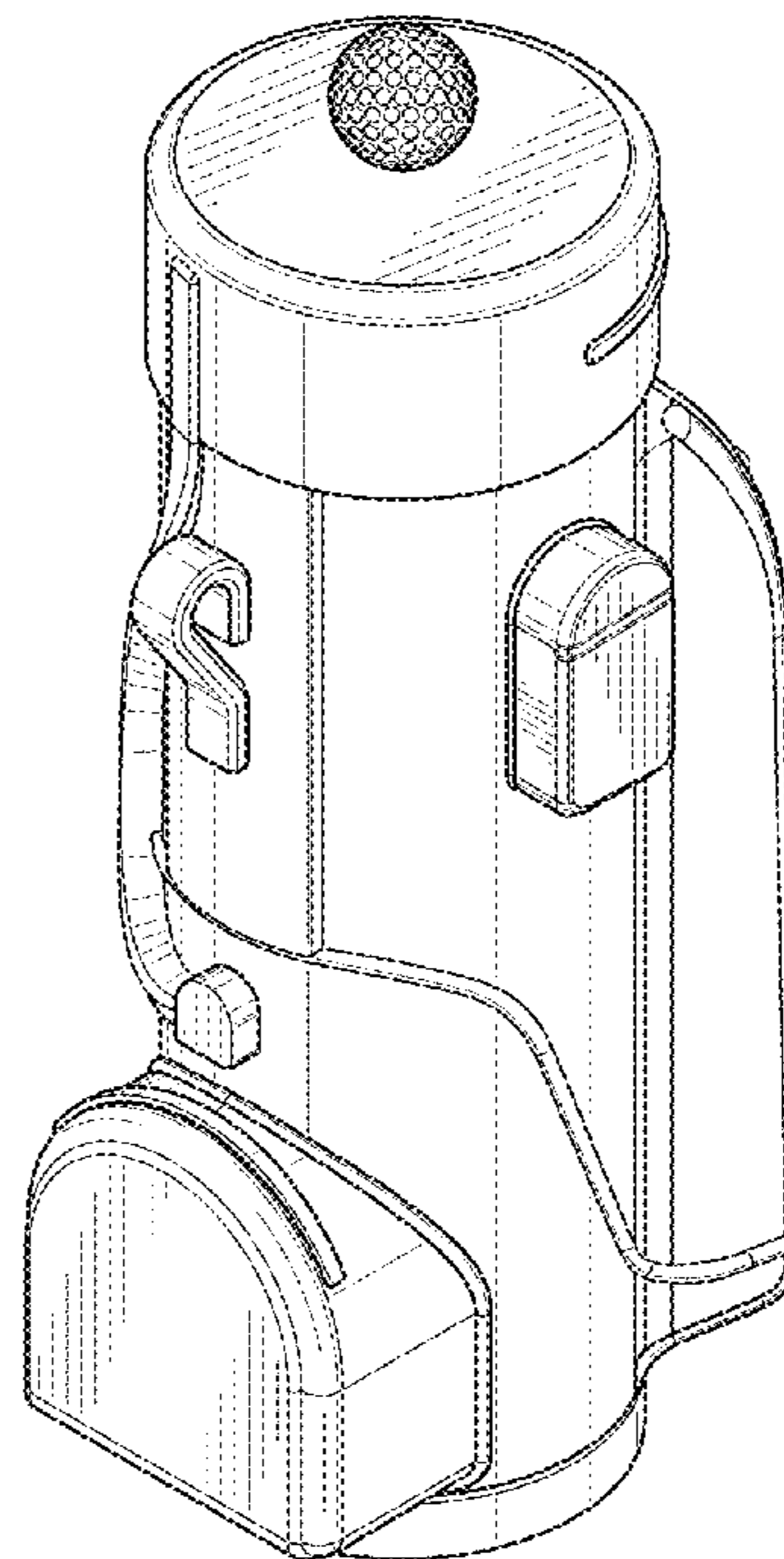
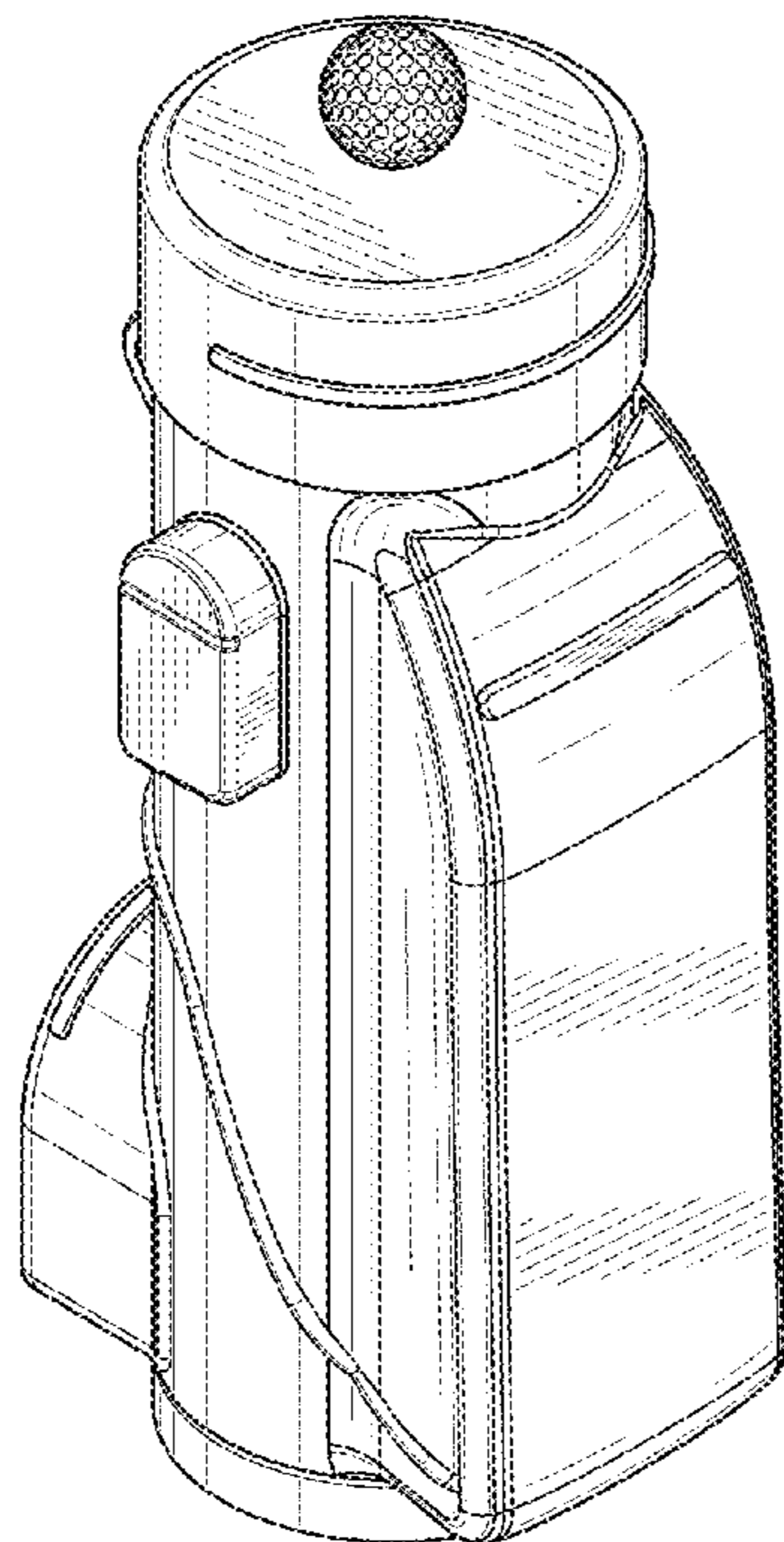
(57) **CLAIM**

The ornamental design for a dispenser for condiments, as shown and described.

**DESCRIPTION**

FIG. 1 is an upper perspective view of the dispenser for condiments showing my design.  
 FIG. 2 is another perspective view thereof, being rotated 90 degrees  
 FIG. 3 is a front elevation view thereof;  
 FIG. 4 is a back elevation view thereof;  
 FIG. 5 is a side elevation view thereof;  
 FIG. 6 is an opposite side elevation view thereof;  
 FIG. 7 is a top plan view thereof; and,  
 FIG. 8 is a bottom plan view thereof, showing broken lines for a dispensing outlet.  
 The broken lines are presented to illustrate that no design features are claimed on the bottom of the dispenser. The dispenser can store and mill condiments to be dispensed as ground powder or grains, such as salt and pepper, from the bottom of the dispenser. The broken lines form no part of the claimed design.

**1 Claim, 4 Drawing Sheets**



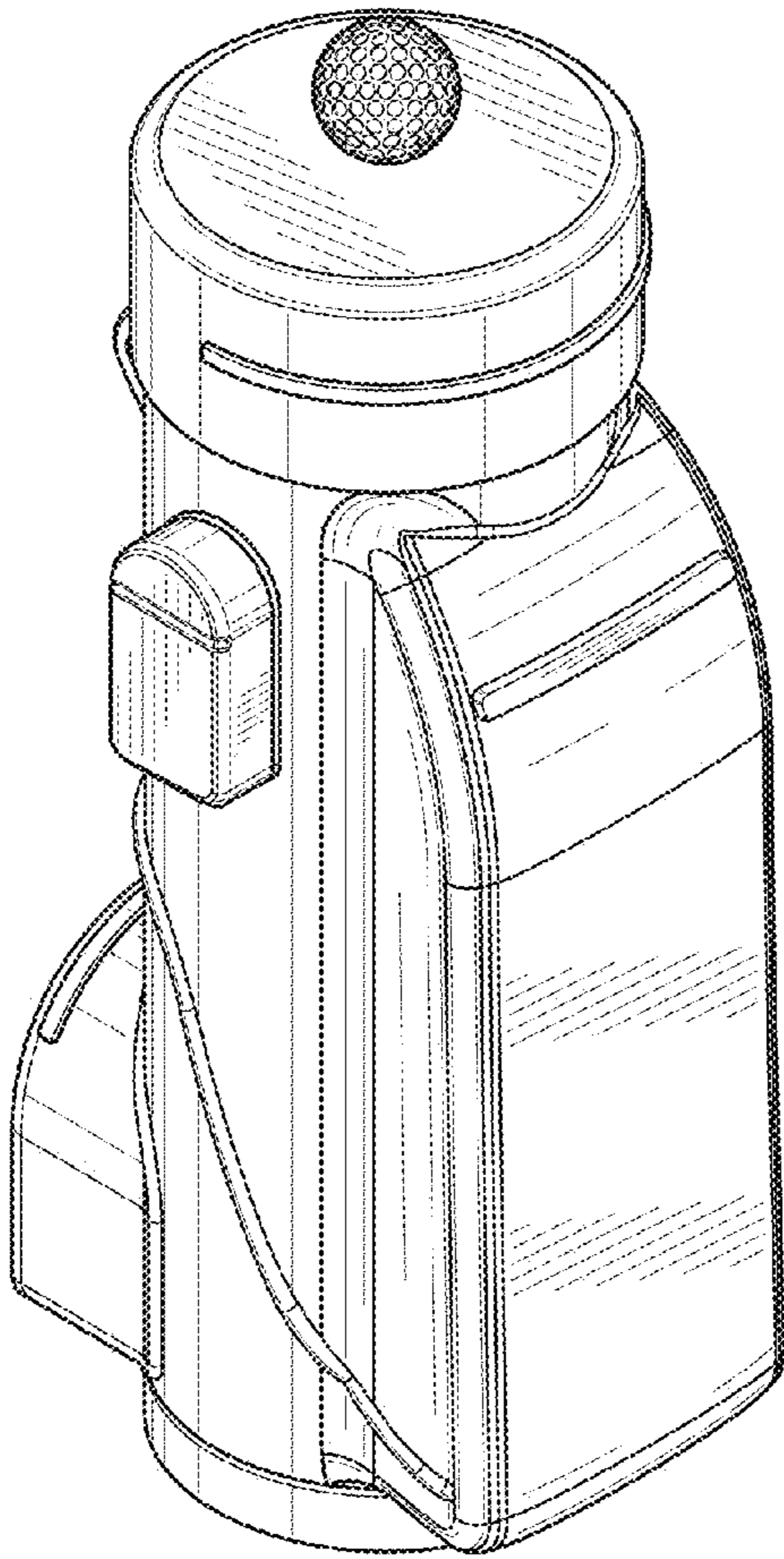


FIG. 1

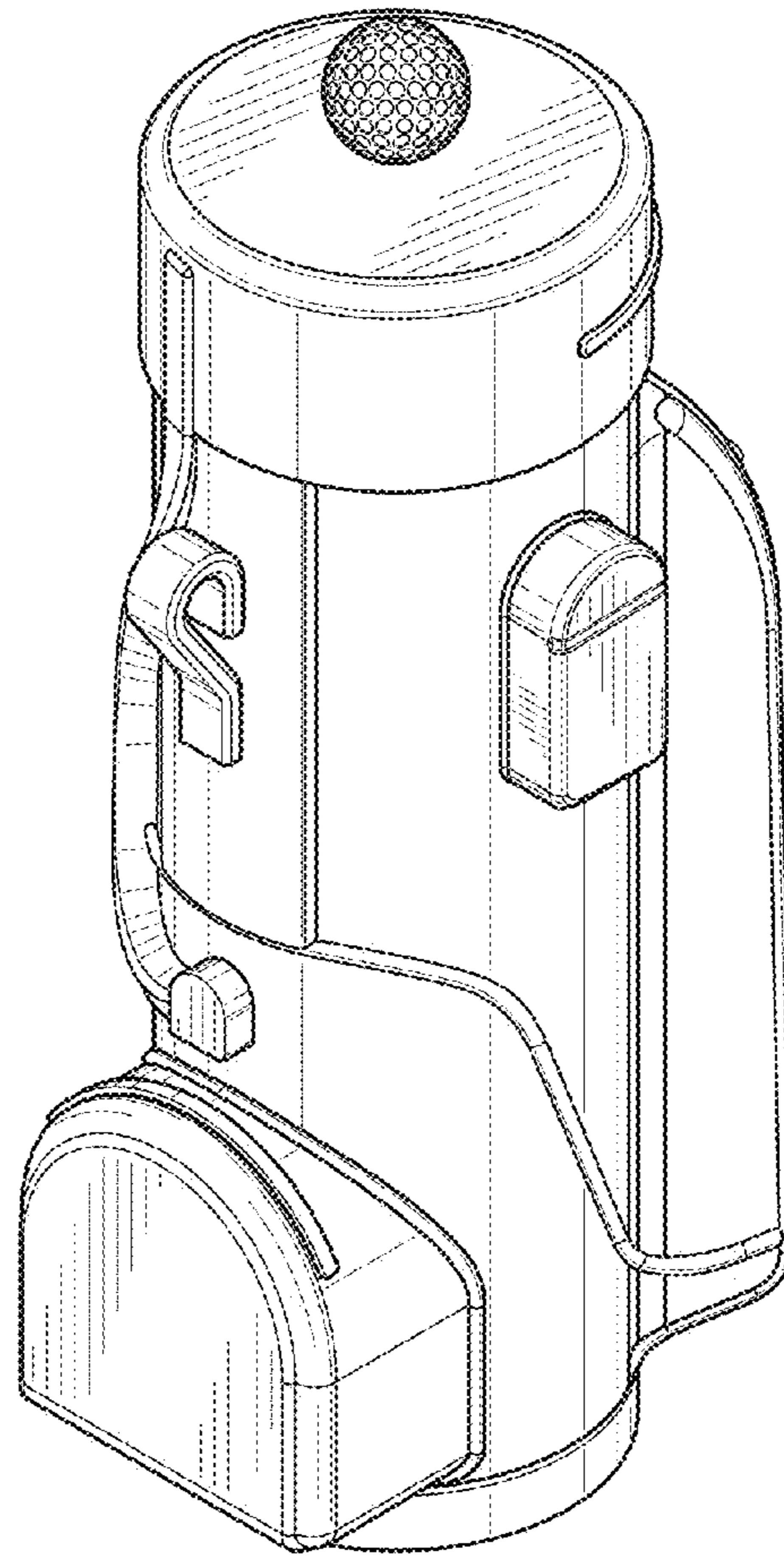


FIG. 2

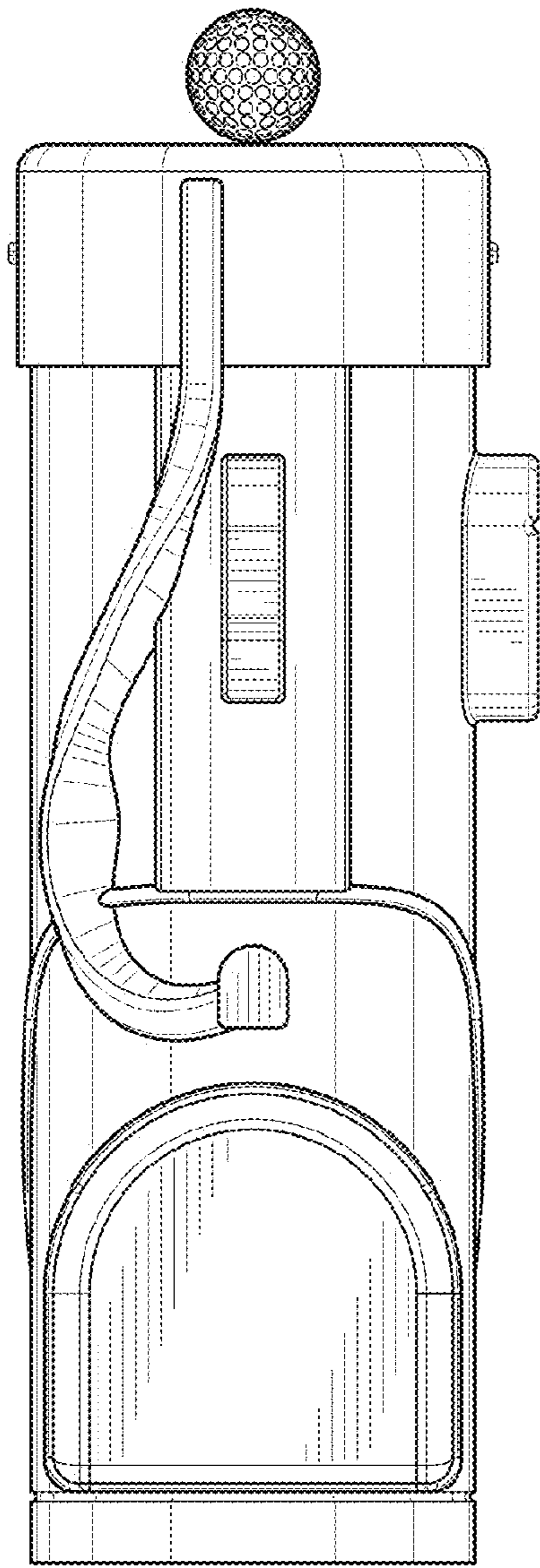


FIG. 3

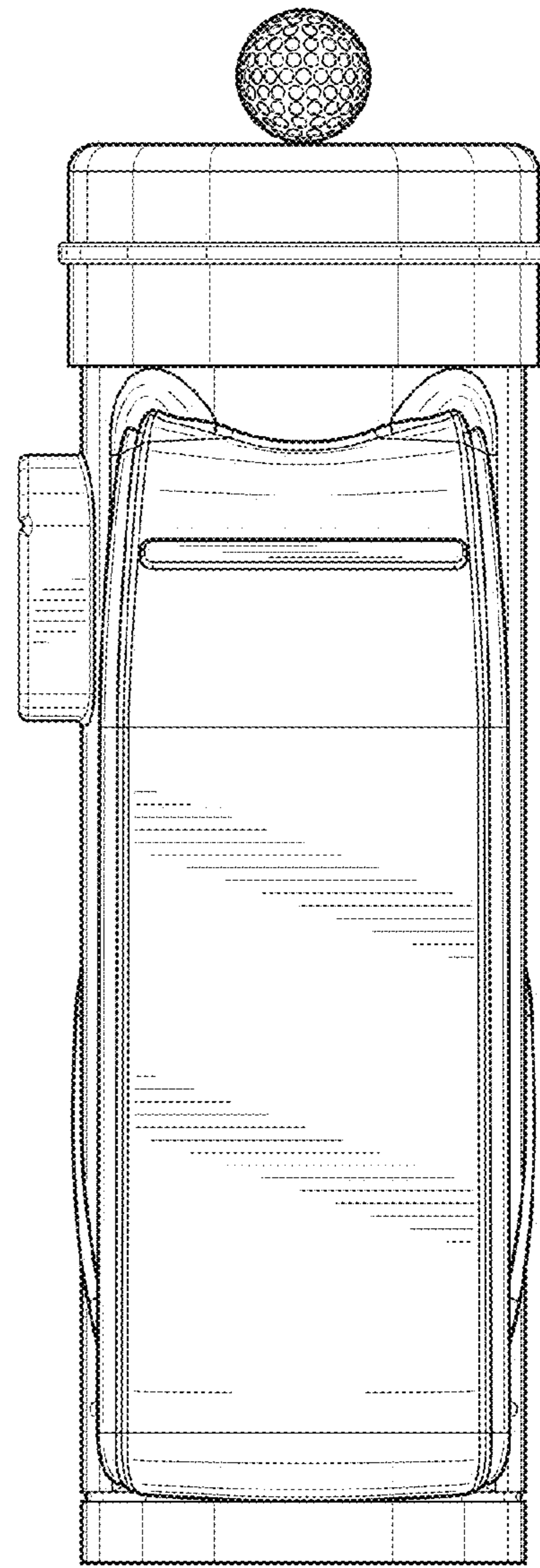


FIG. 4

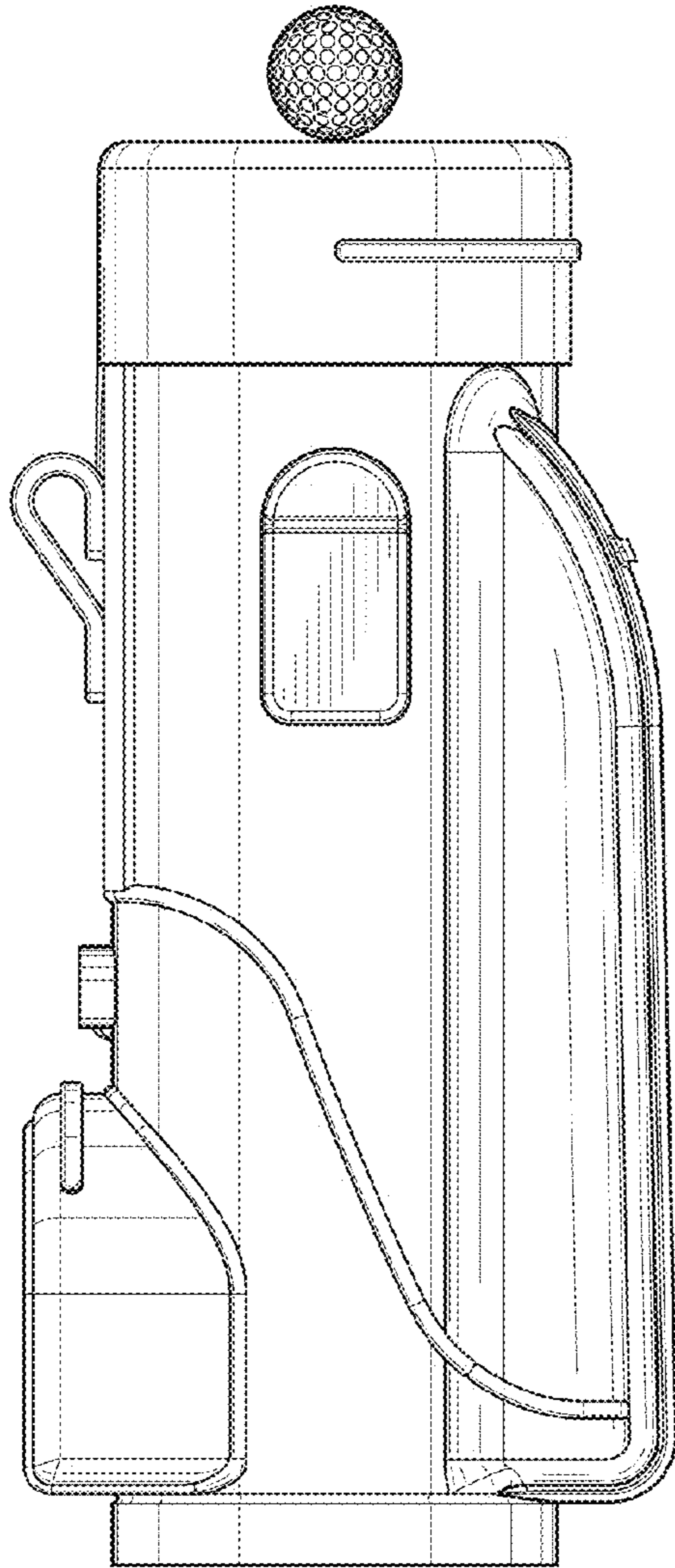


FIG. 5

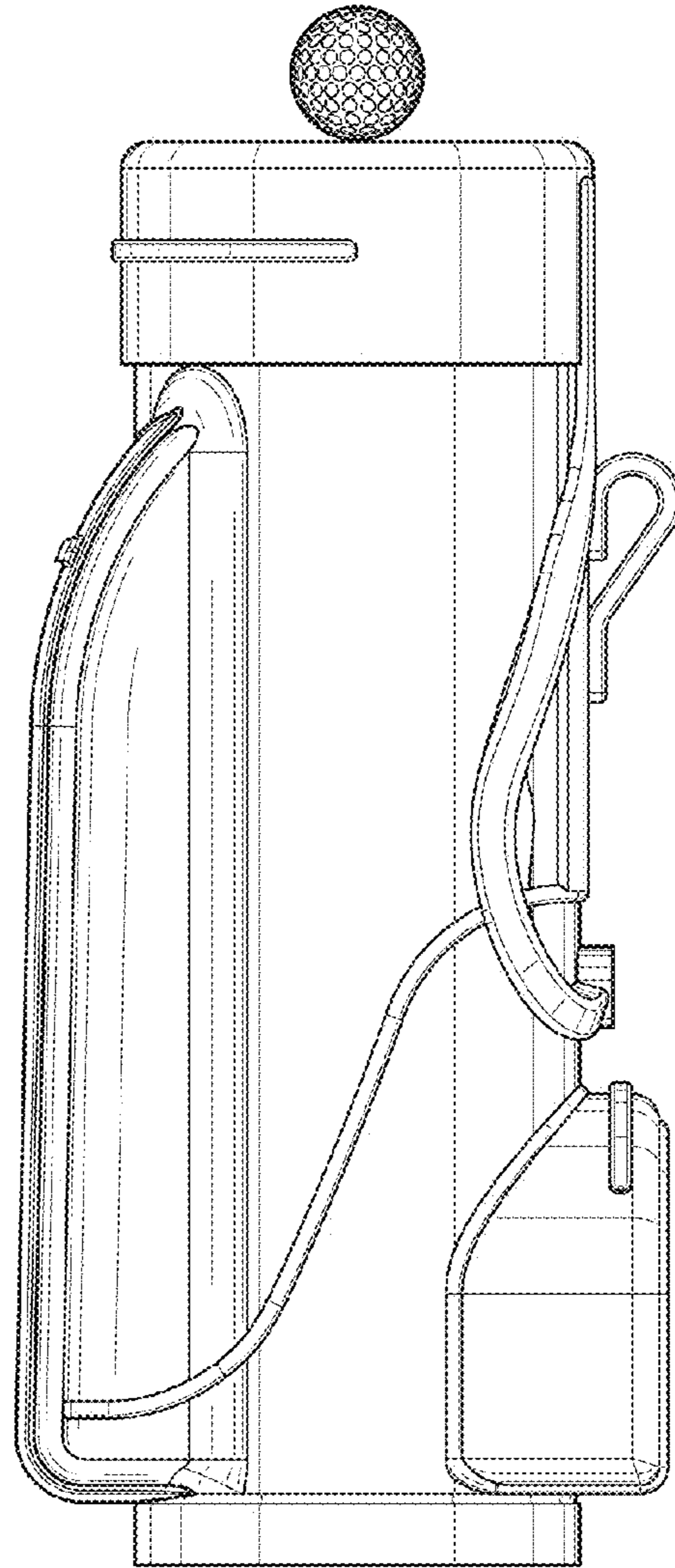
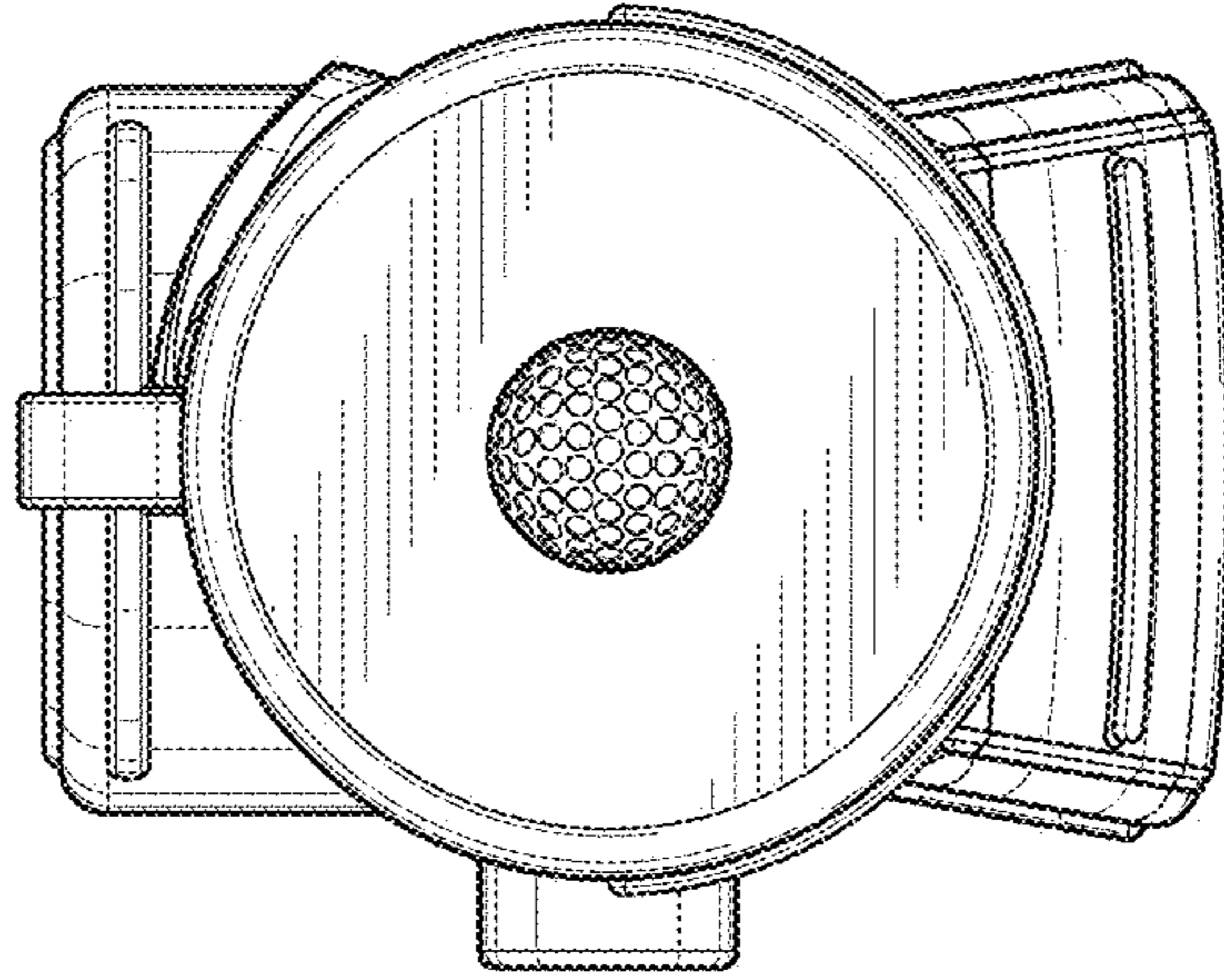
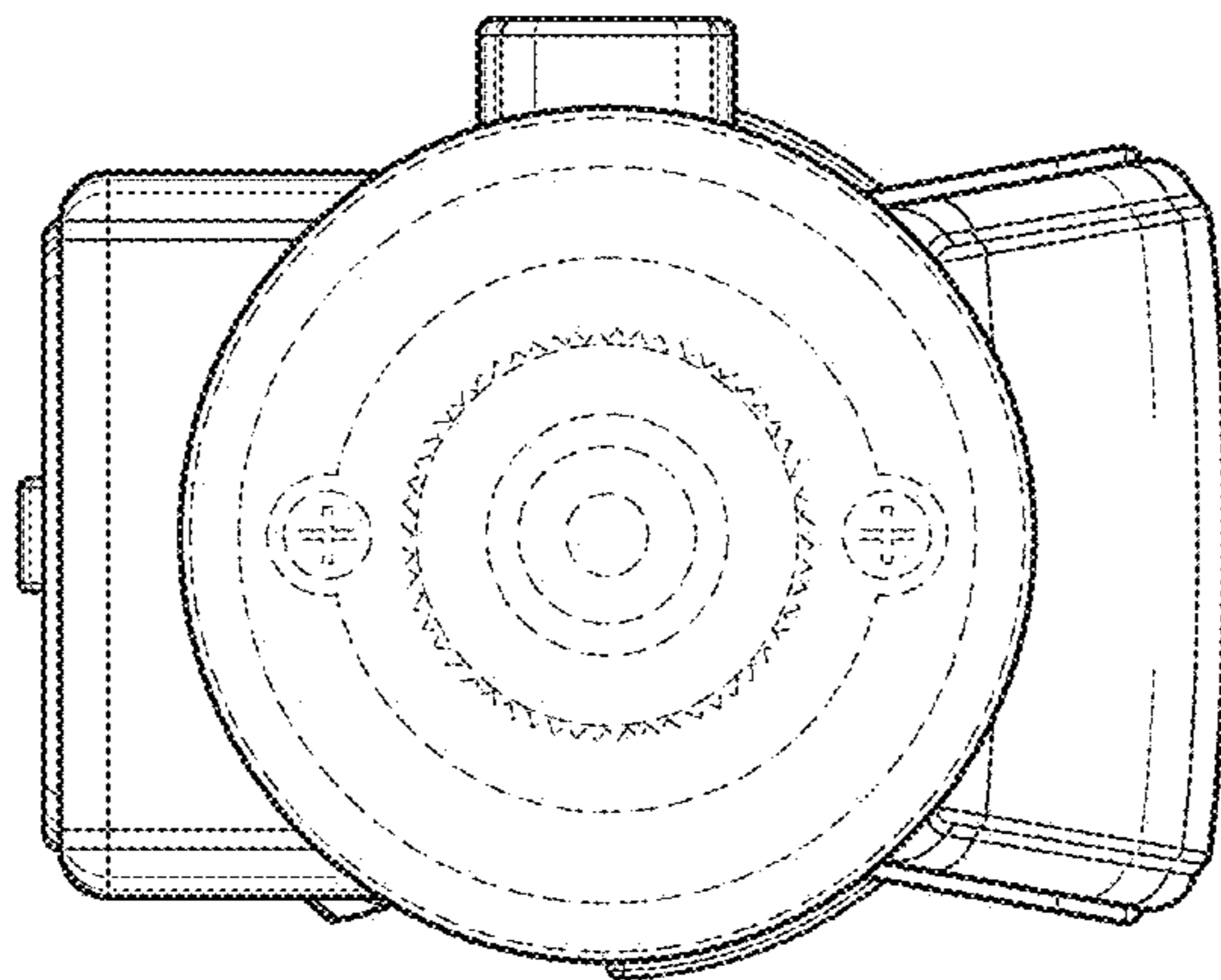


FIG. 6



*FIG. 7*



*FIG. 8*