

US00D759428S

(12) **United States Design Patent**
Kehoe

(10) **Patent No.:** **US D759,428 S**
(45) **Date of Patent:** **** Jun. 21, 2016**

(54) **GLASS AND COOLING OR WARMING SPHERE**

31/02; A47J 31/14; A47G 19/2222; A47G 19/2272; B65D 21/0233

See application file for complete search history.

(71) Applicant: **Paul Martin Kehoe**, Whitby (CA)

(56) **References Cited**

(72) Inventor: **Paul Martin Kehoe**, Whitby (CA)

U.S. PATENT DOCUMENTS

(**) Term: **14 Years**

635,569 A * 10/1899 Miller A63D 15/16
473/36
D49,555 S * 8/1916 Viviaudou D9/435
2,036,706 A * 4/1936 Law A23G 9/503
426/134
2,115,926 A * 5/1938 Hatton A63B 43/02
473/596

(21) Appl. No.: **29/474,959**

(22) Filed: **Apr. 2, 2015**

(Continued)

Related U.S. Application Data

OTHER PUBLICATIONS

(63) Continuation-in-part of application No. 29/371,989, filed on Apr. 2, 2012, now Pat. No. Des. 701,729, and a continuation of application No. 29/463,326, filed on Oct. 15, 2013, now Pat. No. Des. 729,007.

Dec. 22, 2014—Top 10 Best Round Ice Ball Maker Molds Machine Reviews <http://www.findingtop.com/top-10-best-round-ice-ball-maker-molds-machine-reviews/>.*

(Continued)

(30) **Foreign Application Priority Data**

Jul. 30, 2013 (CA) 152267

Primary Examiner — Marianne Pandozzi

Assistant Examiner — Jae Liang

(51) **LOC (10) Cl.** **07-99**

(52) **U.S. Cl.**
USPC **D7/396.2; D7/507; D7/213; D15/90**

(57) **CLAIM**

I claim the ornamental design for a glass and cooling or warming sphere, as shown.

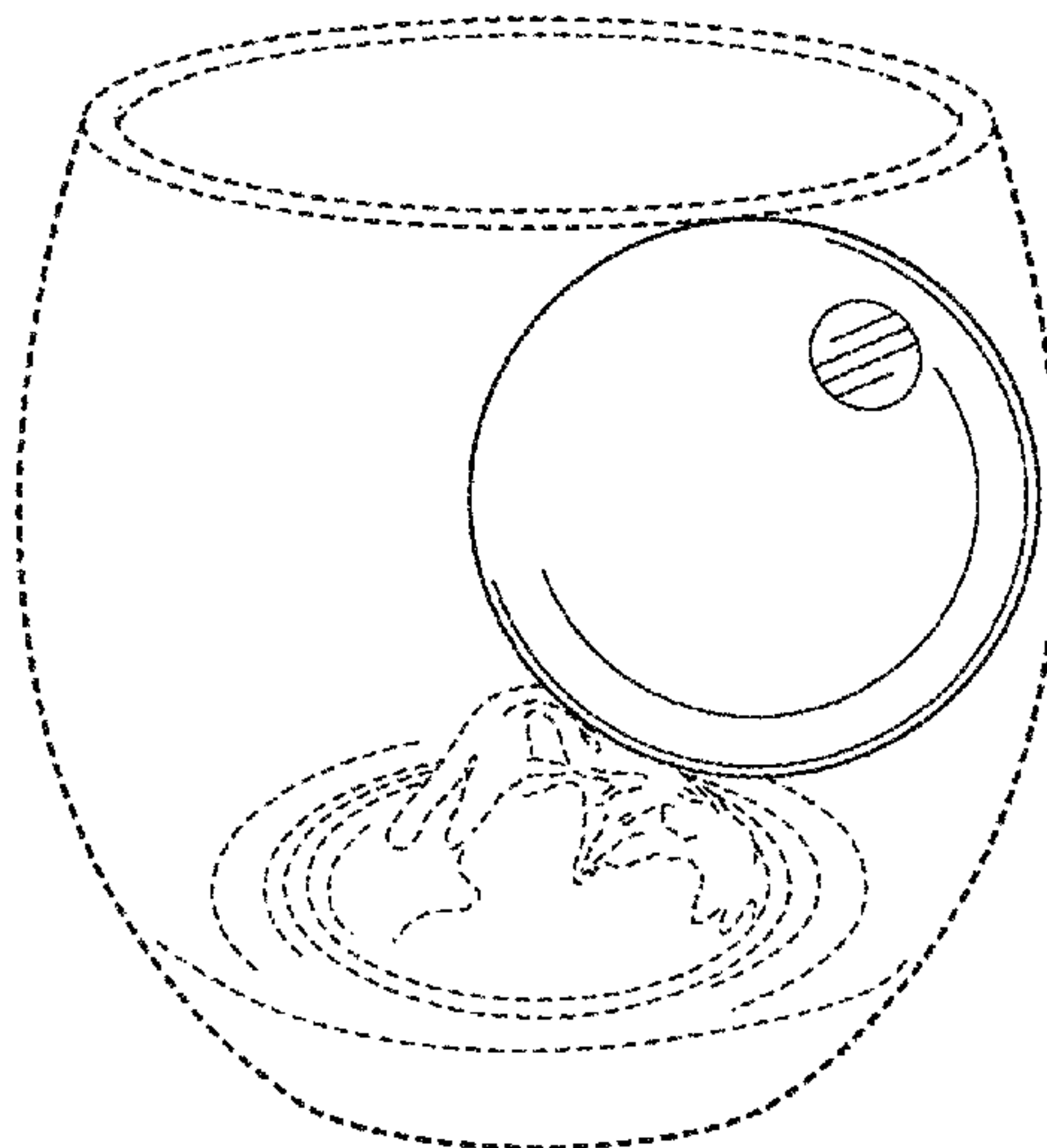
(58) **Field of Classification Search**

USPC D7/400, 396.2, 523, 387, 391, 392, D7/392.1, 393, 396.1, 396.3, 397, 398, D7/399, 401, 401.1, 213, 700, 667, 601, D7/602, 603, 671, 672, 675, 589, 901, 323, D7/507; D10/46.2; D9/434, 435, 436, 439, D9/440, 444, 447, 668, 600, 519, 516, 559, D9/538; 220/709, 23.89, 229, 212.5; D3/203.1, 203.2, 302; D23/209, 268; 215/397; D30/160; D21/313, 315, 386, D21/385, 484, 488; D11/121, 17, 176, 93; D1/100, 101, 102, 106, 127, 199, 130; 79/6, 10; D19/96, 97; D26/36, 124, 2, D26/7; D15/90
CPC ... B29C 33/50; B29C 33/0038; A47J 31/005; A47J 31/06; A47J 31/00; A47J 31/10; A47J

DESCRIPTION

FIG. 1 is a front perspective view of a glass and cooling or warming sphere showing my new design;
FIG. 2 is a left side elevational view thereof;
FIG. 3 is a front elevational view thereof;
FIG. 4 is the right side elevational view thereof;
FIG. 5 is the rear elevational view thereof;
FIG. 6 is a top plan elevational view thereof; and,
FIG. 7 is the bottom plan elevational view thereof.
The broken lines shown in the figure drawings are included for the purpose of illustration and form no part of the claimed design.

1 Claim, 4 Drawing Sheets



(56)

References Cited

U.S. PATENT DOCUMENTS

D112,545 S * 12/1938 Younghusband D9/435
 2,339,385 A * 1/1944 Dupler F21V 17/00
 362/363
 2,784,512 A * 3/1957 Goodwin A47G 33/08
 220/4.21
 3,759,513 A * 9/1973 Gillett A63B 69/00
 482/22
 D272,232 S * 1/1984 Parmentier D15/90
 D272,317 S * 1/1984 Parmentier D15/90
 D314,455 S * 2/1991 Morton D30/160
 5,064,073 A * 11/1991 Folland B65D 51/28
 206/822
 D346,552 S * 5/1994 Krupa D9/757
 D368,414 S * 4/1996 VanHalteren D7/675
 6,012,997 A * 1/2000 Mason A63B 43/00
 273/DIG. 20
 D425,706 S * 5/2000 Calderone D3/200
 6,237,538 B1 * 5/2001 Tsengas A01K 5/0114
 119/707
 D459,404 S * 6/2002 Perez D21/713
 D460,693 S * 7/2002 Flowers D9/519
 D464,571 S * 10/2002 Hill D9/519
 D465,733 S * 11/2002 Hill D9/519
 D476,095 S * 6/2003 Baarman D26/2
 D478,813 S * 8/2003 Beene D9/519
 D483,403 S * 12/2003 Hollands 106/31.29
 D491,336 S * 6/2004 Cecere D1/102
 D497,191 S * 10/2004 Shore D21/709
 D504,286 S * 4/2005 de Cleir D7/675
 D511,646 S * 11/2005 McKinney D7/396.2
 D514,263 S * 1/2006 Willinger D21/713
 D560,510 S * 1/2008 Lepoitevin D9/551
 D564,900 S * 3/2008 Green D9/504
 D565,806 S * 4/2008 Rutherford D30/160
 D575,109 S * 8/2008 Barducci D7/507

D577,547 S * 9/2008 Willat D7/509
 D581,229 S * 11/2008 Uglum D8/38
 D592,064 S * 5/2009 Kilany D9/519
 D596,306 S * 7/2009 Levine D24/214
 D602,311 S * 10/2009 Finell D7/629
 D612,245 S * 3/2010 Canamasas Puigbo D9/519
 D625,469 S * 10/2010 Dubitsky D28/84
 D626,000 S * 10/2010 Chertoff D9/451
 D631,204 S * 1/2011 Dubitsky D28/82
 D650,280 S * 12/2011 de Peyerimhoff D9/454
 D651,038 S * 12/2011 Henry D7/354
 D661,458 S * 6/2012 Mingyun D1/102
 D661,540 S * 6/2012 Facey D7/354
 D661,541 S * 6/2012 Braden D7/354
 D663,589 S * 7/2012 Pascot D7/509
 D672,927 S * 12/2012 Bertsch D30/160
 D691,334 S * 10/2013 Byrne D30/121
 D700,755 S * 3/2014 Reiss D30/121
 D704,566 S * 5/2014 Sanders D9/519
 D721,585 S * 1/2015 Gonzalez Rodriguez D9/500
 D726,028 S * 4/2015 Thompson D28/7
 D729,007 S * 5/2015 Kehoe D7/507
 D729,489 S * 5/2015 Bell D99/5
 D730,014 S * 5/2015 Bell D99/5
 D733,690 S * 7/2015 Zukowski D14/228
 9,232,844 B2 * 1/2016 Thompson A45D 40/00
 2003/0224690 A1 * 12/2003 Manville A63H 33/101
 446/113
 2005/0120972 A1 * 6/2005 Aboujaoude A01K 15/025
 119/707
 2013/0102220 A1 * 4/2013 Wang A63H 33/062
 446/102
 2015/0021458 A1 * 1/2015 Zorovich B29C 33/0038
 249/134

OTHER PUBLICATIONS

Aug. 9, 2013 youtube.com—Ice Ball Maker from my WOW Shop.*

* cited by examiner

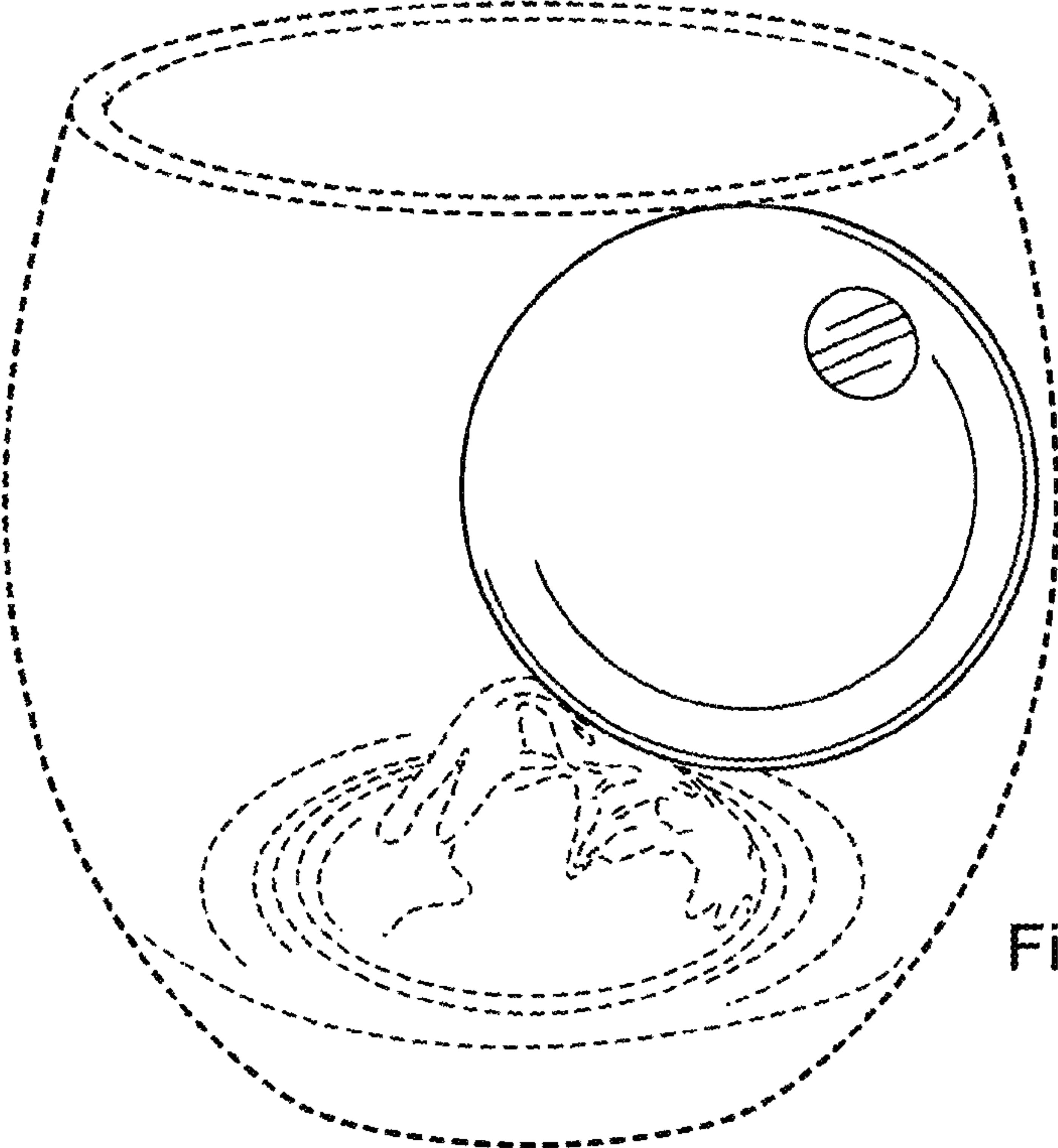


Fig. 1

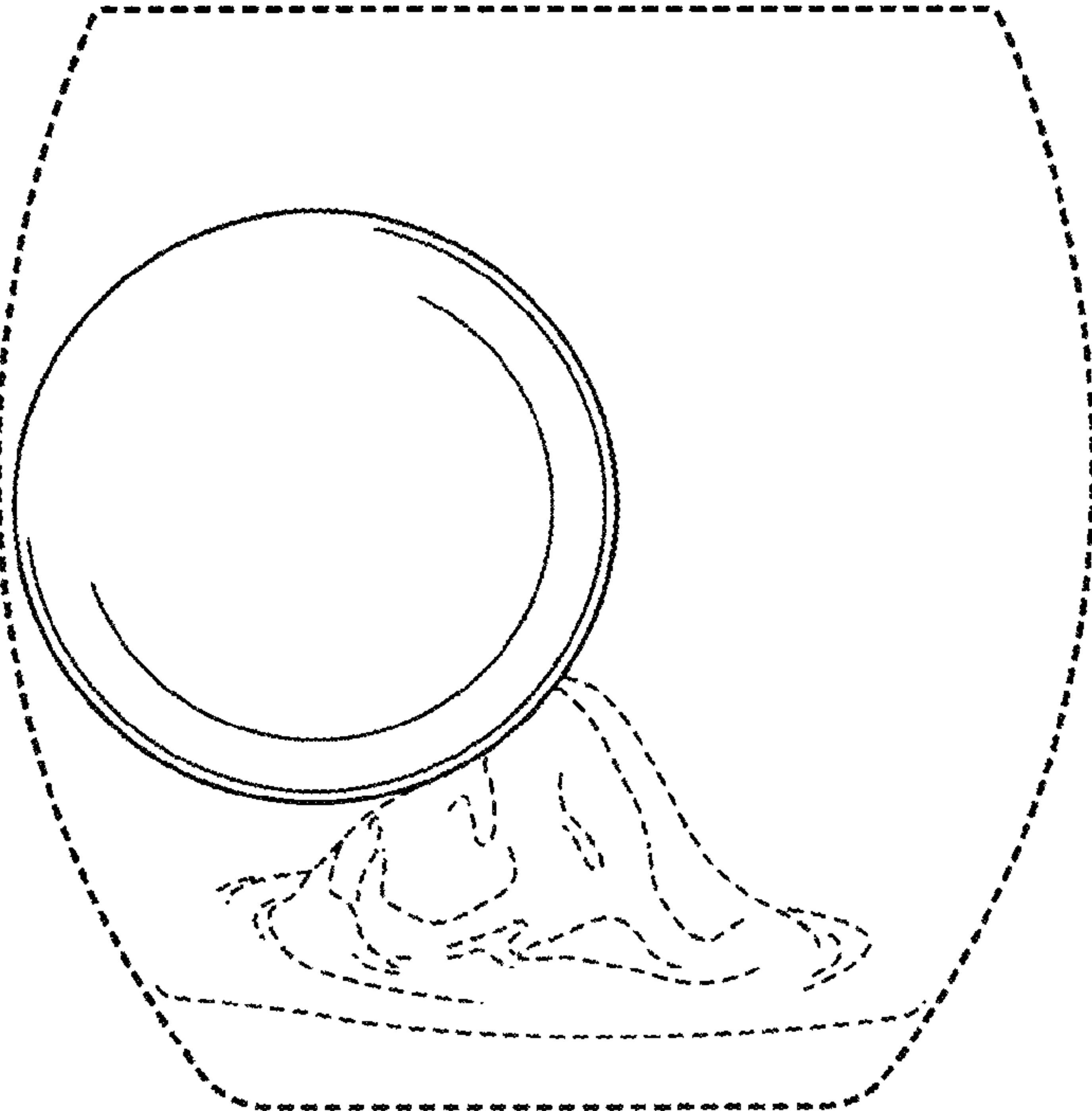
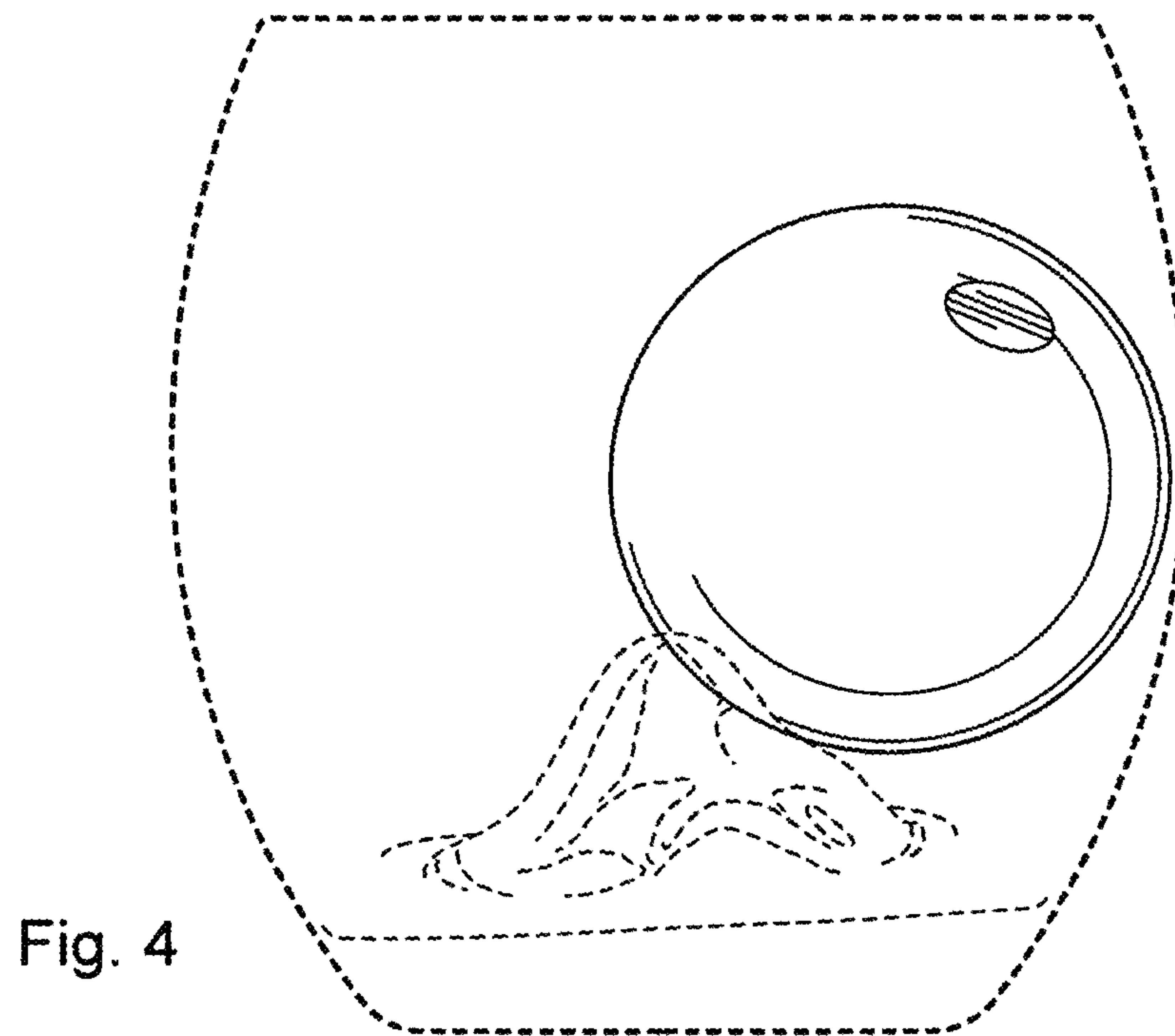
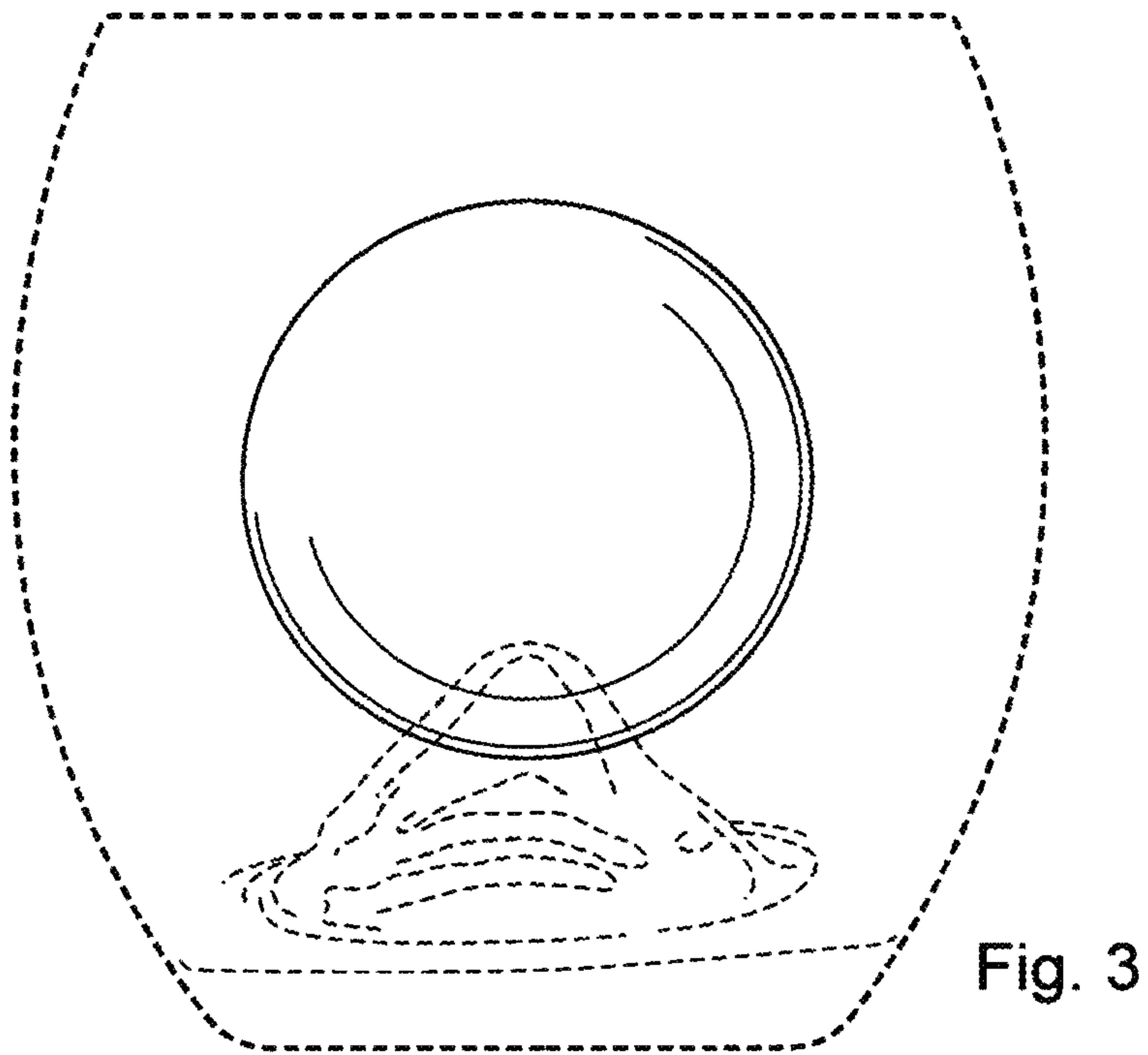


Fig. 2



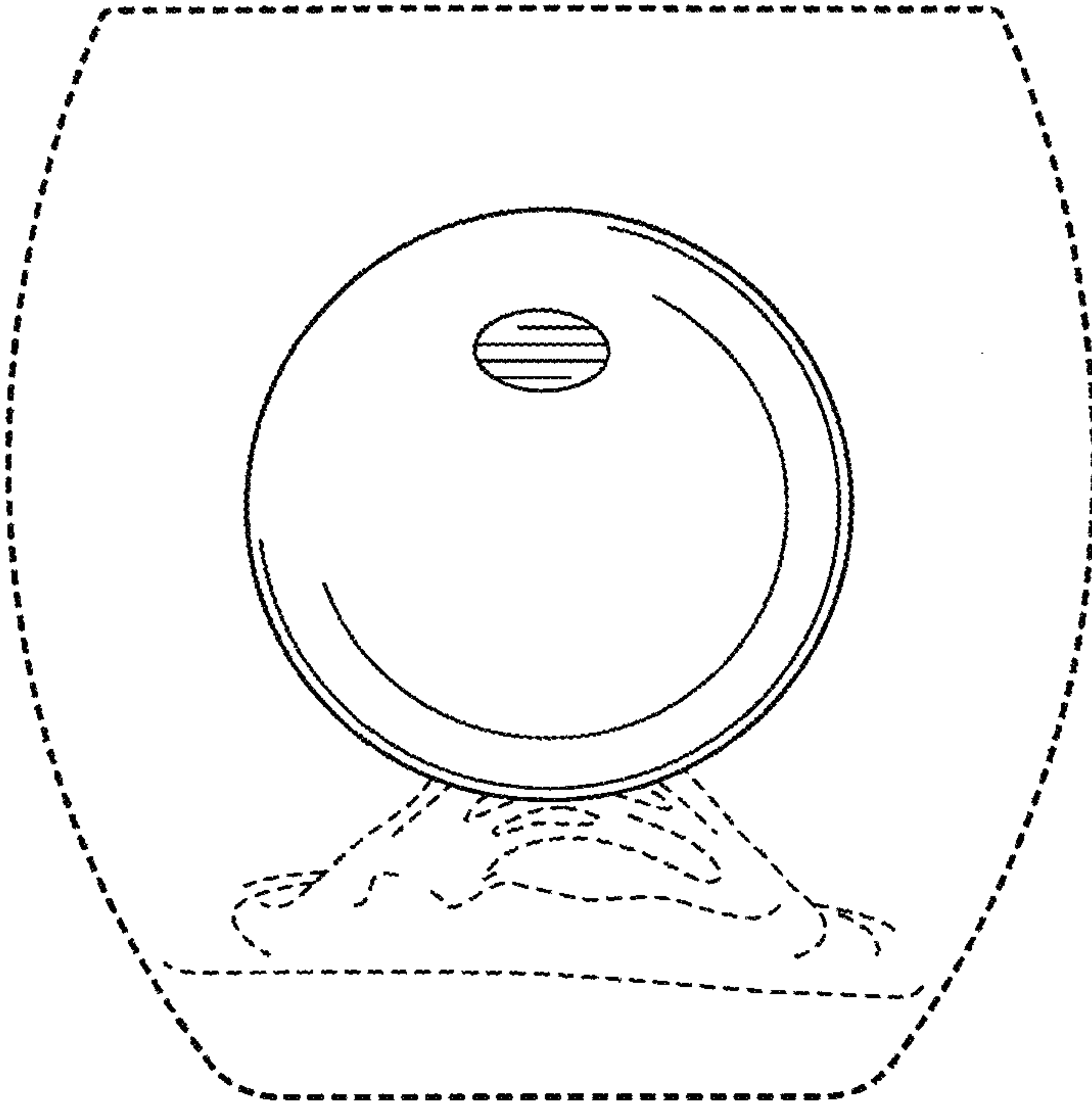


Fig. 5

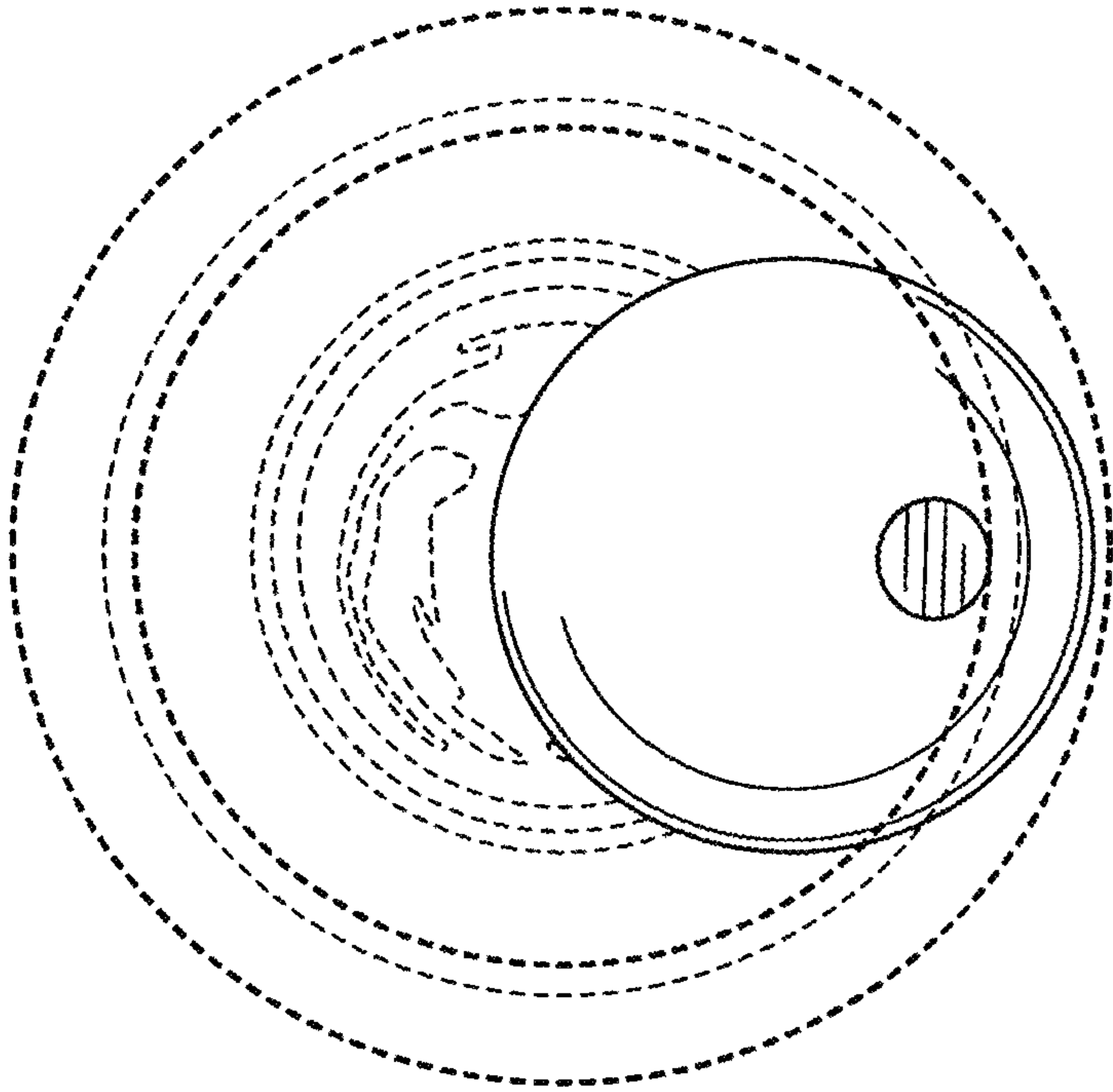


Fig. 6

Fig. 7

