

US00D759425S

(12) **United States Design Patent**
Castriota

(10) **Patent No.:** **US D759,425 S**
(45) **Date of Patent:** **** Jun. 21, 2016**

(54) **VENTED LID FOR COVERING A VESSEL
CONTAINING FOOD AND/OR FLUIDS
DURING STORAGE AND/OR COOKING**

(71) Applicant: **Susan Castriota**, Pittsburgh, PA (US)

(72) Inventor: **Susan Castriota**, Pittsburgh, PA (US)

(**) Term: **14 Years**

(21) Appl. No.: **29/504,520**

(22) Filed: **Oct. 7, 2014**

(51) **LOC (10) Cl.** **07-02**

(52) **U.S. Cl.**

USPC **D7/391**; D7/354

(58) **Field of Classification Search**

USPC D7/360, 391, 392, 392.1, 393, 396.2,
D7/397, 608, 629; D9/414, 424-432, 435,
D9/443, 451-452

CPC ... A47G 19/22; A47G 19/2272; A47G 19/26;
A47J 36/027; A47J 36/06; A47J 37/10;
A47J 37/101; A47J 47/02; B65D 21/0209;
B65D 43/00; B65D 43/02; B65D 43/022;
B65D 43/161; B65D 43/162; B65D 45/00;
B65D 45/16; B65D 45/18; B65D 51/16;
B65D 51/1683; B65D 51/1688; B65D
51/1694; B65D 81/3227; B65F 1/1615

See application file for complete search history.

(56) **References Cited**

U.S. PATENT DOCUMENTS

797,314	A	8/1905	Owens	
1,973,449	A *	9/1934	Tighe, Jr.	A47G 19/26 220/200
2,760,672	A *	8/1956	Cronheim	A47J 37/101 126/384.1
2,867,352	A	1/1959	Kawano	
2,907,467	A	10/1959	Magnate, Jr	
4,478,349	A	10/1984	Haverland, Jr. et al.	
4,512,497	A *	4/1985	Grusin	A47J 47/02 126/389.1

D296,525	S *	7/1988	Siegel	D9/438
4,828,140	A	5/1989	Henderson	
D336,596	S *	6/1993	Osgood	D7/542
5,481,967	A	1/1996	Chen	
6,105,811	A *	8/2000	Alfred	A47J 36/06 220/287
D457,388	S *	5/2002	Milroy	D7/213
7,168,589	B2 *	1/2007	Dark	A47G 19/2272 220/711
D537,300	S *	2/2007	Kim	D7/542
7,806,044	B2 *	10/2010	Lin	A47G 19/22 220/254.8
D665,663	S *	8/2012	Krupa	D9/425
8,590,728	B1	11/2013	McPherson	

(Continued)

Primary Examiner — Ricky Pham

(74) *Attorney, Agent, or Firm* — James Ray and Assocs;
Alexander Pokot

(57) **CLAIM**

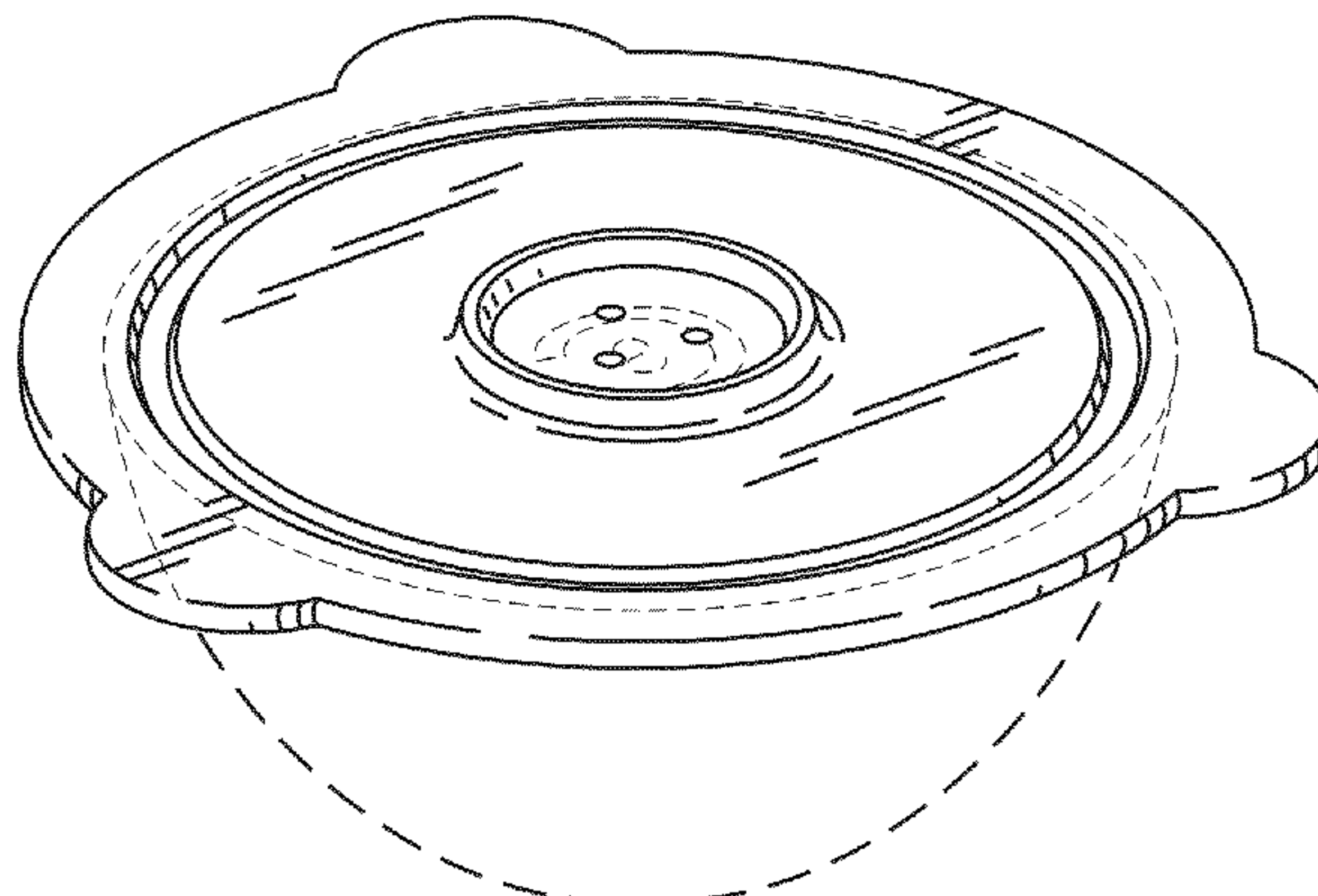
The ornamental design for a vented lid for covering a vessel containing food and/or fluids during storage and/or cooking, as shown and described.

DESCRIPTION

FIG. 1 is a bottom view of a lid showing my new design.
FIG. 2 is a top view of the lid of FIG. 1.
FIG. 3 is a right side view of the lid in FIG. 1. Left side view is identical to the right side view.
FIG. 4 is a front view of the lid in FIG. 1.
FIG. 5 is a rear view of the lid in FIG. 1.
FIG. 6 is a bottom perspective view of the lid in FIG. 1.
FIG. 7 is top perspective view of the lid in FIG. 1.
FIG. 8 is a bottom perspective environmental view of the lid in FIG. 1; and,
FIG. 9 is a top perspective environmental view of the lid in FIG. 1.

The broken lines showing a vessel, for example such as a glass or a bowl, and indicia are for environmental purposed only and form no part of the claimed design.

1 Claim, 6 Drawing Sheets



US D759,425 S

Page 2

(56)

References Cited

U.S. PATENT DOCUMENTS

2002/0178995 A1 12/2002 Kane, Jr.
2004/0099544 A1* 5/2004 Ness B65D 81/3227
206/216

D734,976 S * 7/2015 Quinn D7/354 * cited by examiner

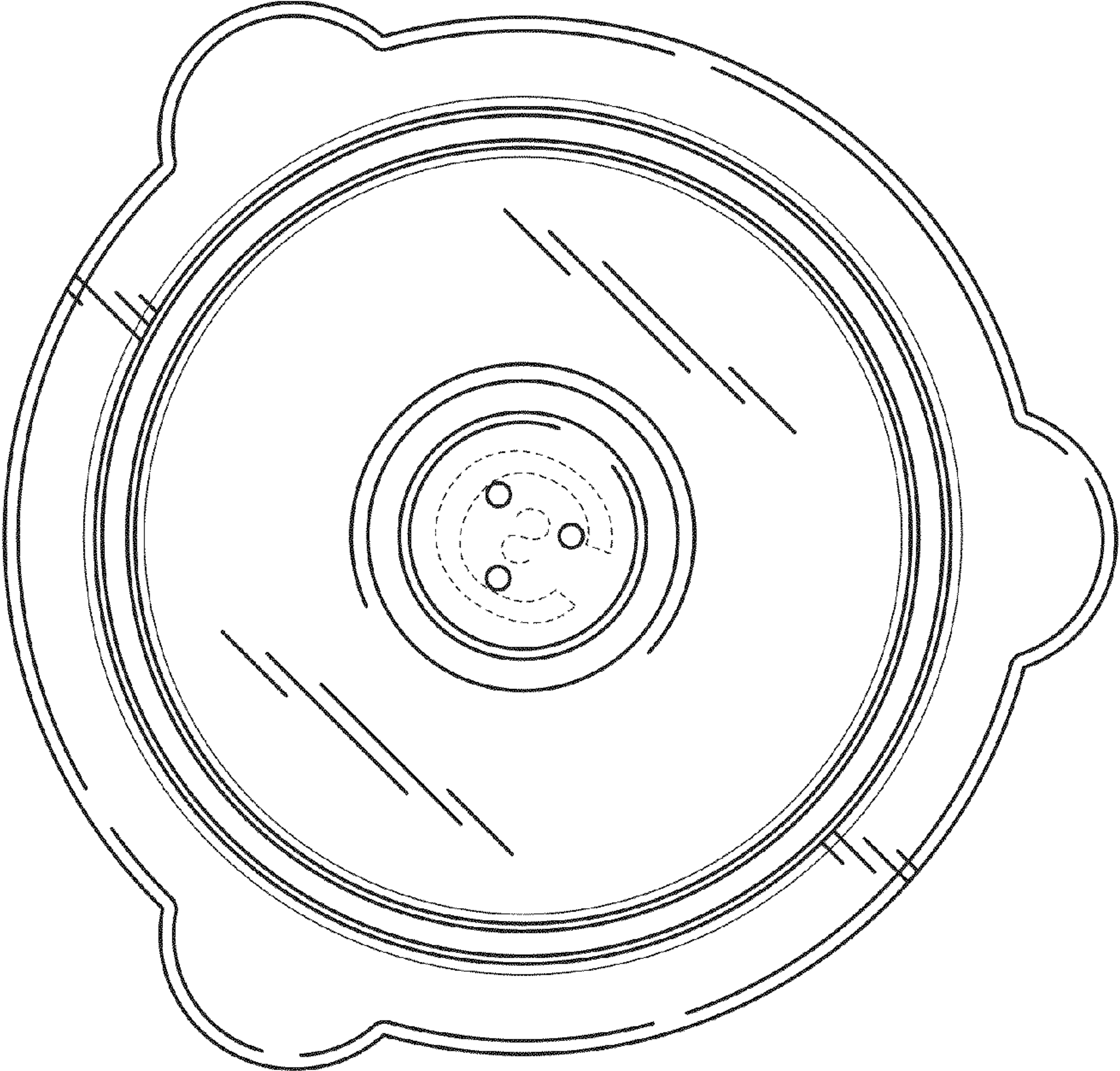


FIG. 1

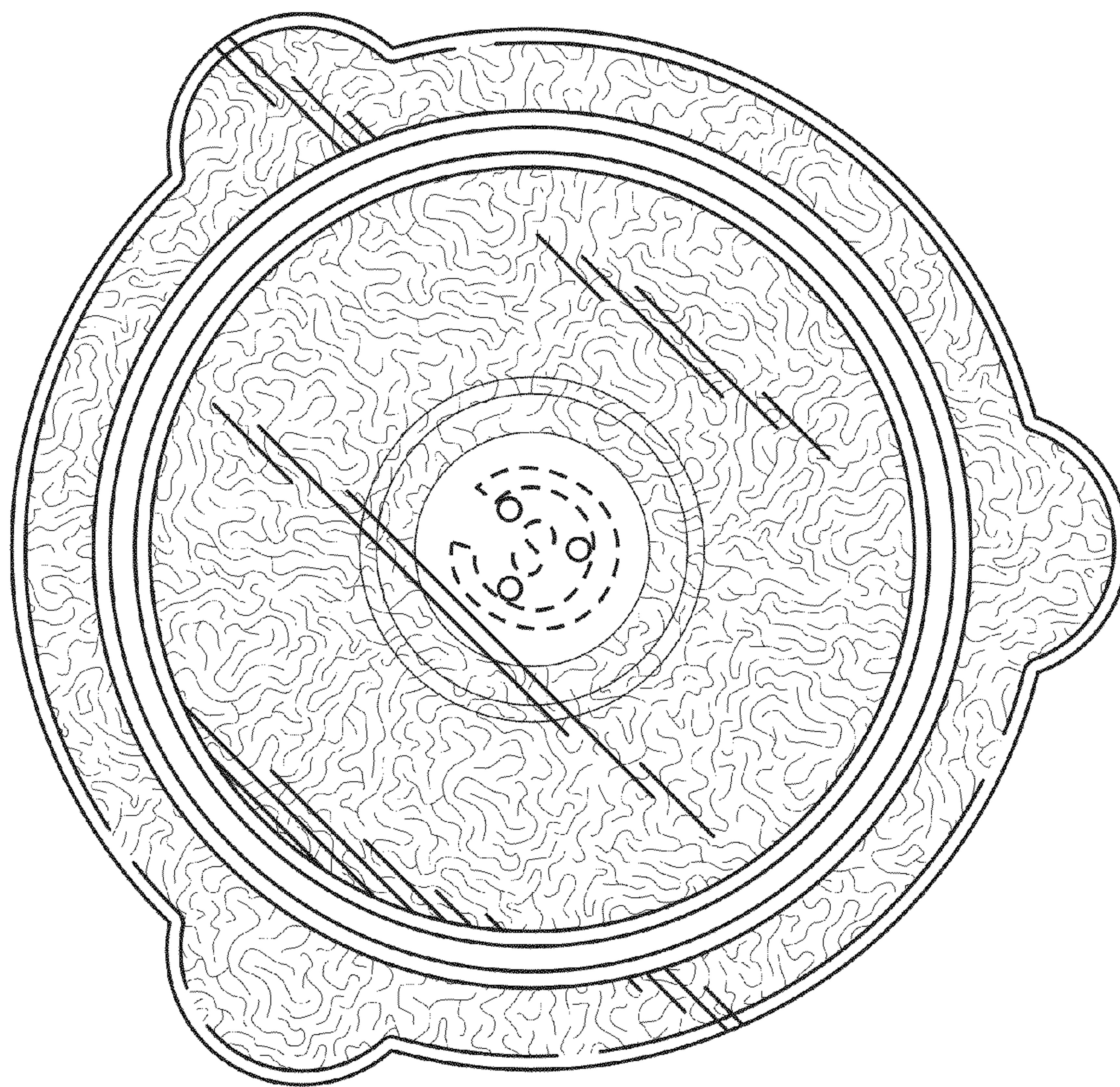


FIG. 2



FIG. 3



FIG. 4



FIG. 5

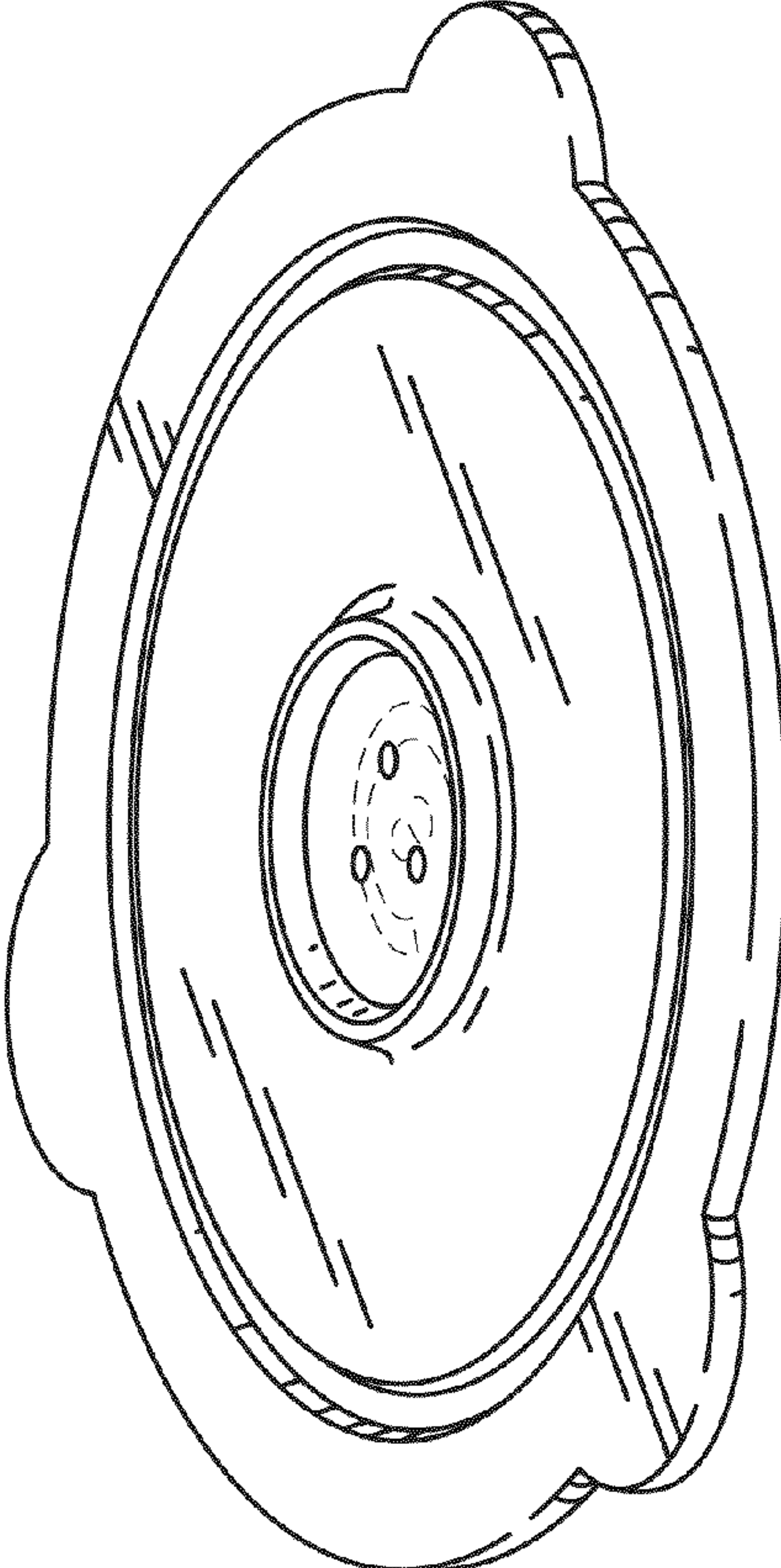


FIG. 6

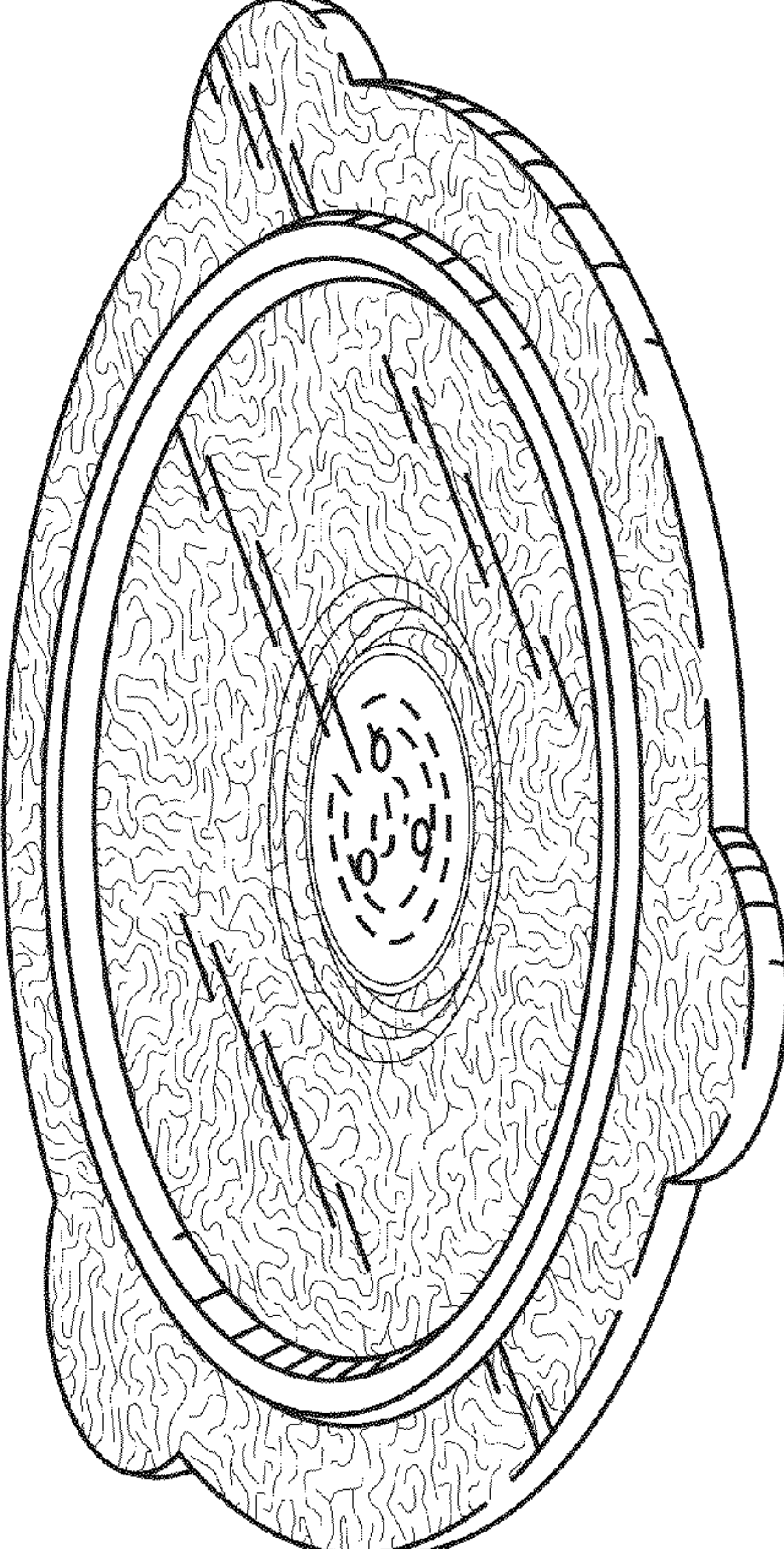


FIG. 7

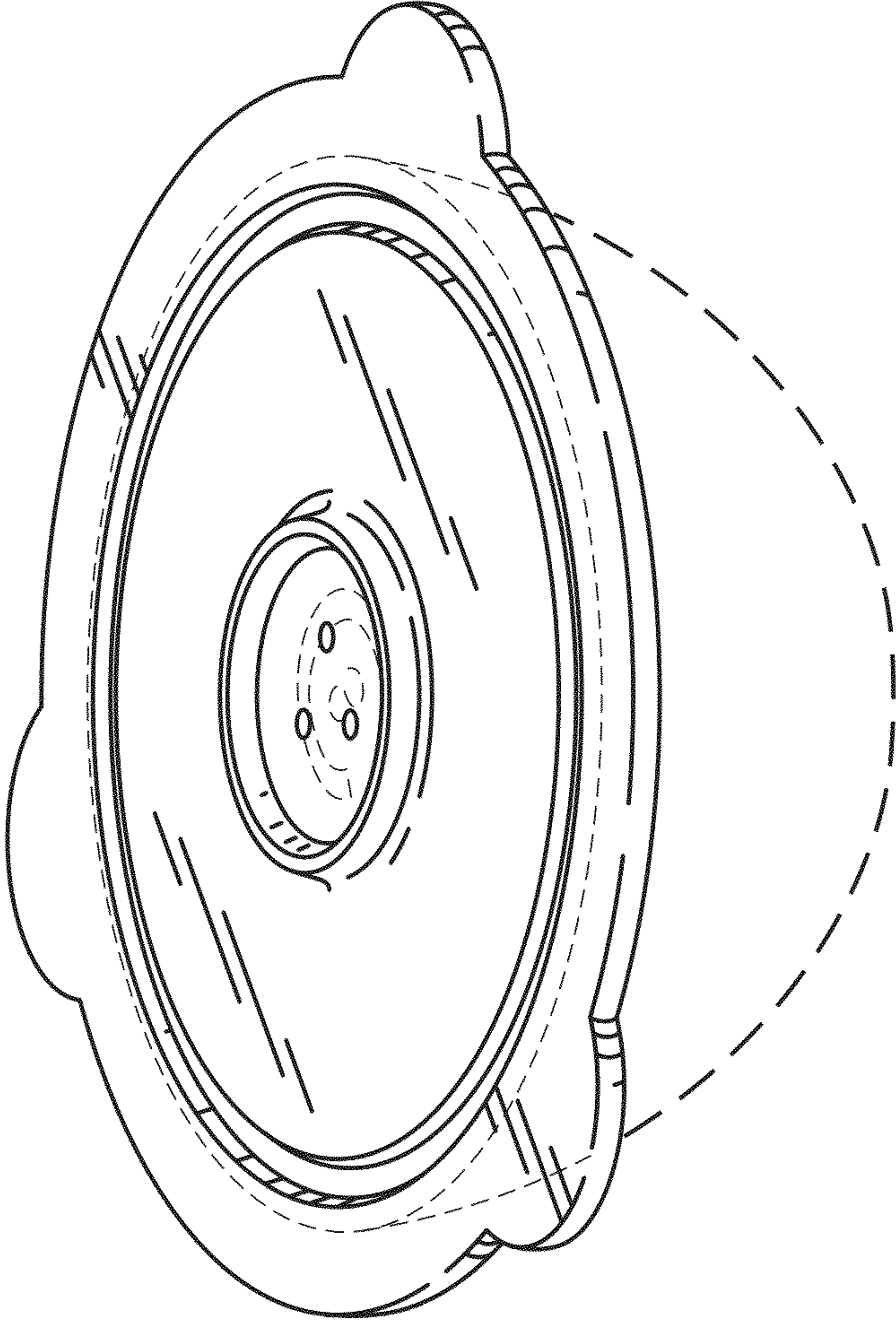


FIG. 8

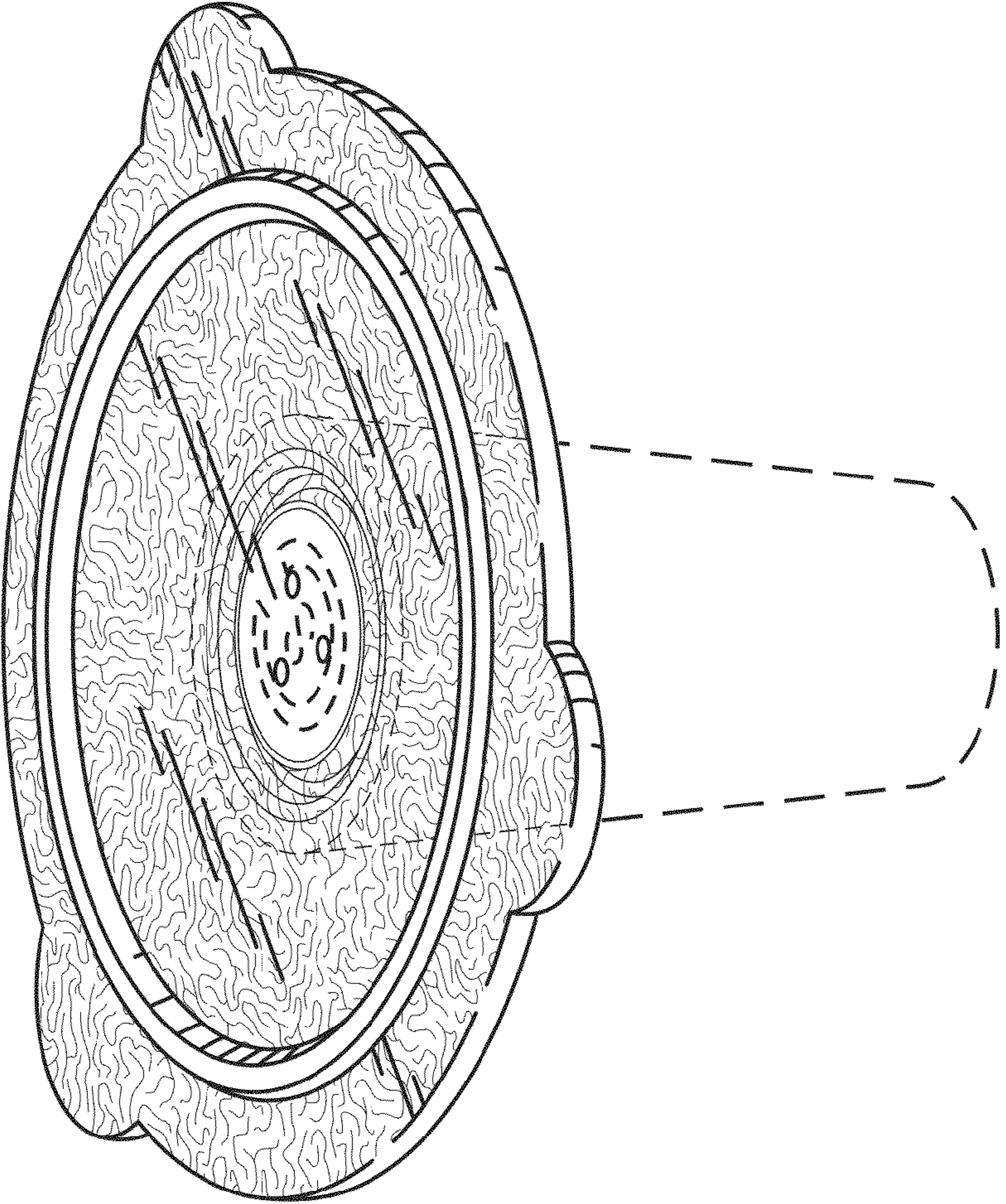


FIG. 9