



US00D759424S

(12) **United States Design Patent**
Ou

(10) **Patent No.:** **US D759,424 S**

(45) **Date of Patent:** **** Jun. 21, 2016**

(54) **BLENDER**

(71) Applicant: **KONINKLIJKE PHILIPS N.V.**,
Eindhoven (NL)

(72) Inventor: **Qingxiang Ou**, Hong Kong (CN)

(73) Assignee: **KONINKLIJKE PHILIPS N.V.**,
Eindhoven (NL)

(**) Term: **14 Years**

(21) Appl. No.: **29/517,195**

(22) Filed: **Feb. 11, 2015**

(30) **Foreign Application Priority Data**

Aug. 20, 2014 (EM) 002522110-0001

(51) **LOC (10) Cl.** **31-00**

(52) **U.S. Cl.**
USPC **D7/378; D7/376; D7/386; D7/413**

(58) **Field of Classification Search**
USPC D7/300.1, 326, 372, 376-386, 412-413,
D7/602, 629, 665-666, 669, 679, 693-694
CPC A21C 1/02; A21C 1/04; A23N 1/00;
A23N 1/02; A47J 43/04; A47J 43/25; A47J
43/27; A47J 43/042; A47J 43/044; A47J
43/046; A47J 43/075; A47J 43/0722; A47J
43/0727; B01F 3/00; B01F 3/0807; B01F
3/0853; B01F 13/0059; B01F 13/0064;
B02C 1/08; B02C 2/04; B02C 4/42; B02C
4/142; B02C 4/143; B02C 4/423; B02C
13/1835; B28C 5/10; B28C 5/12; B28C 5/14;
B28C 5/16

See application file for complete search history.

(56) **References Cited**

U.S. PATENT DOCUMENTS

D176,257 S *	12/1955	Hill	D7/378
D187,684 S *	4/1960	Hauser	D7/378
D199,888 S *	12/1964	Dewenter	D7/378
D525,482 S *	7/2006	Kassenaar	D7/378
D533,020 S *	12/2006	Kassenaar	D7/378
D543,072 S *	5/2007	Ting	D7/378
D553,425 S *	10/2007	Steiner	D7/378
D597,372 S *	8/2009	Nordwall	D7/378
D642,858 S *	8/2011	Lazzer	D7/376
D716,096 S *	10/2014	Krooshof	D7/326
D728,303 S *	5/2015	Vu	D7/376
D731,234 S *	6/2015	Weaden	D7/376
D747,135 S *	1/2016	Ha	D7/376

* cited by examiner

Primary Examiner — Ricky Pham

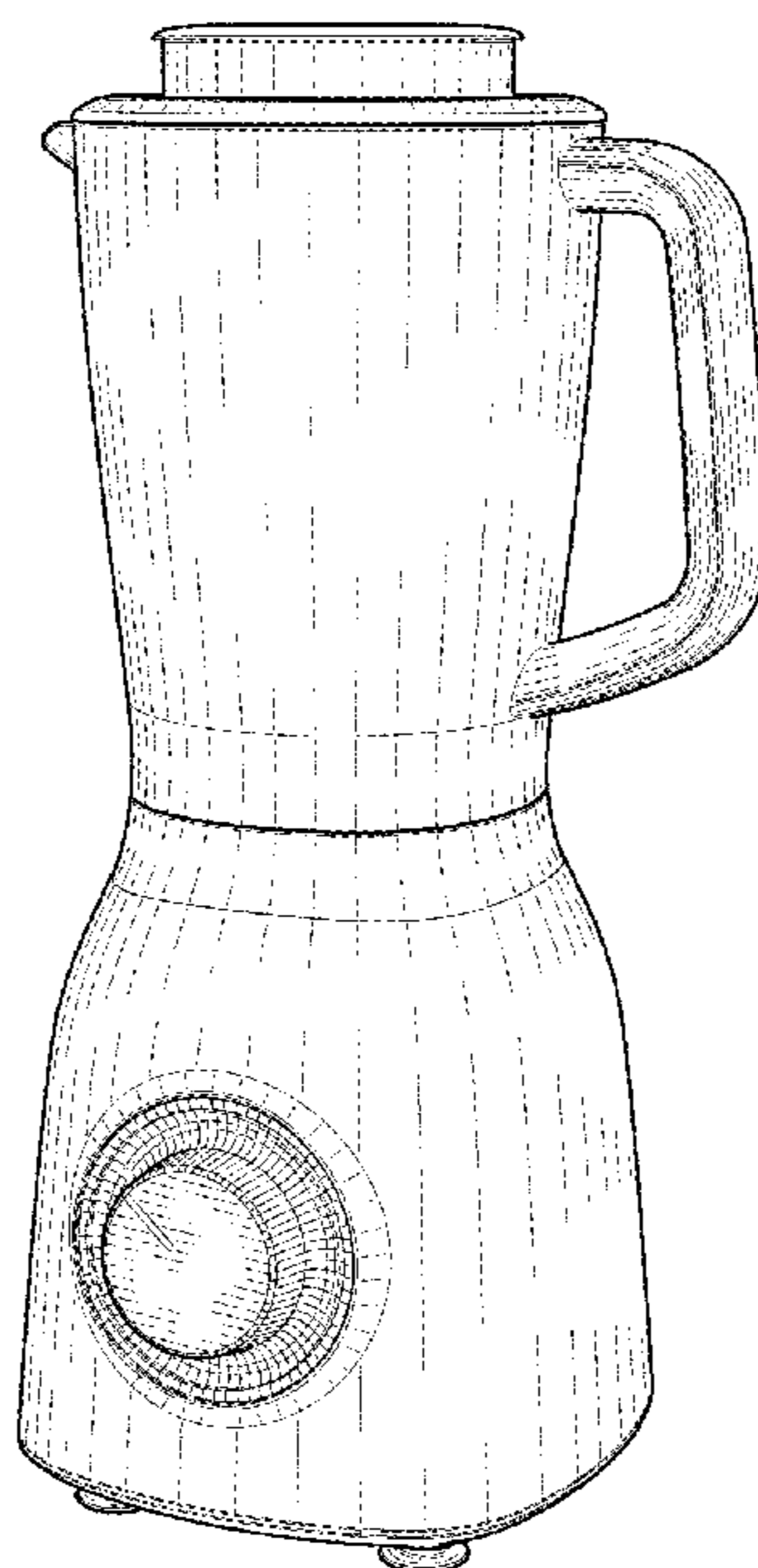
(57) **CLAIM**

The ornamental design for a blender, as shown and described.

DESCRIPTION

FIG. 1 is a perspective view showing my design;
FIG. 2 is a front elevational view thereof;
FIG. 3 is a rear elevational view thereof;
FIG. 4 is a right side elevational view thereof;
FIG. 5 is a left side elevational view thereof;
FIG. 6 is a top plan view thereof; and,
FIG. 7 is a bottom plan view thereof.
The broken lines shown in the drawings are for illustrative purposes only and form no part of the claimed design.

1 Claim, 5 Drawing Sheets



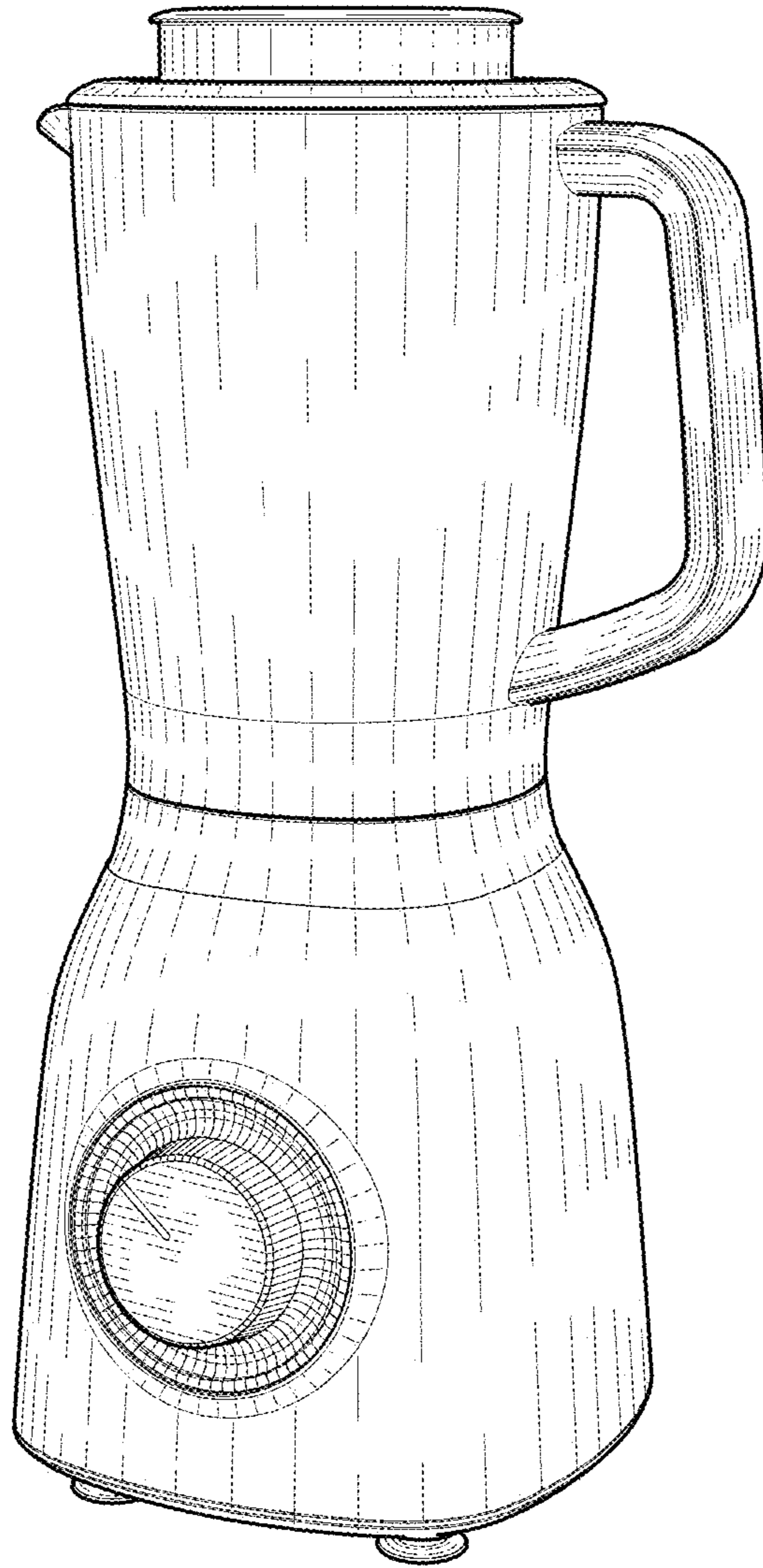


FIG. 1

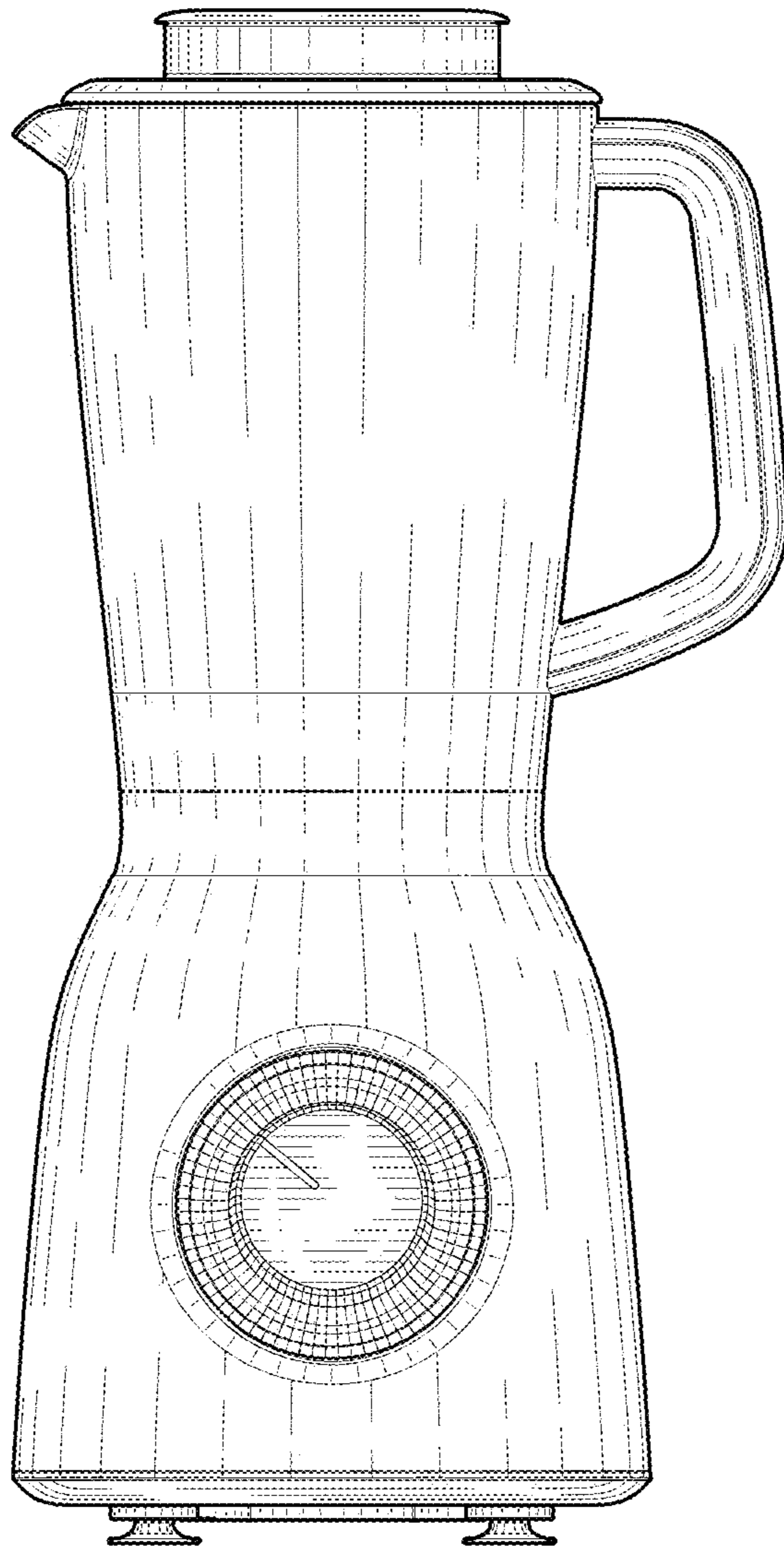


FIG. 2

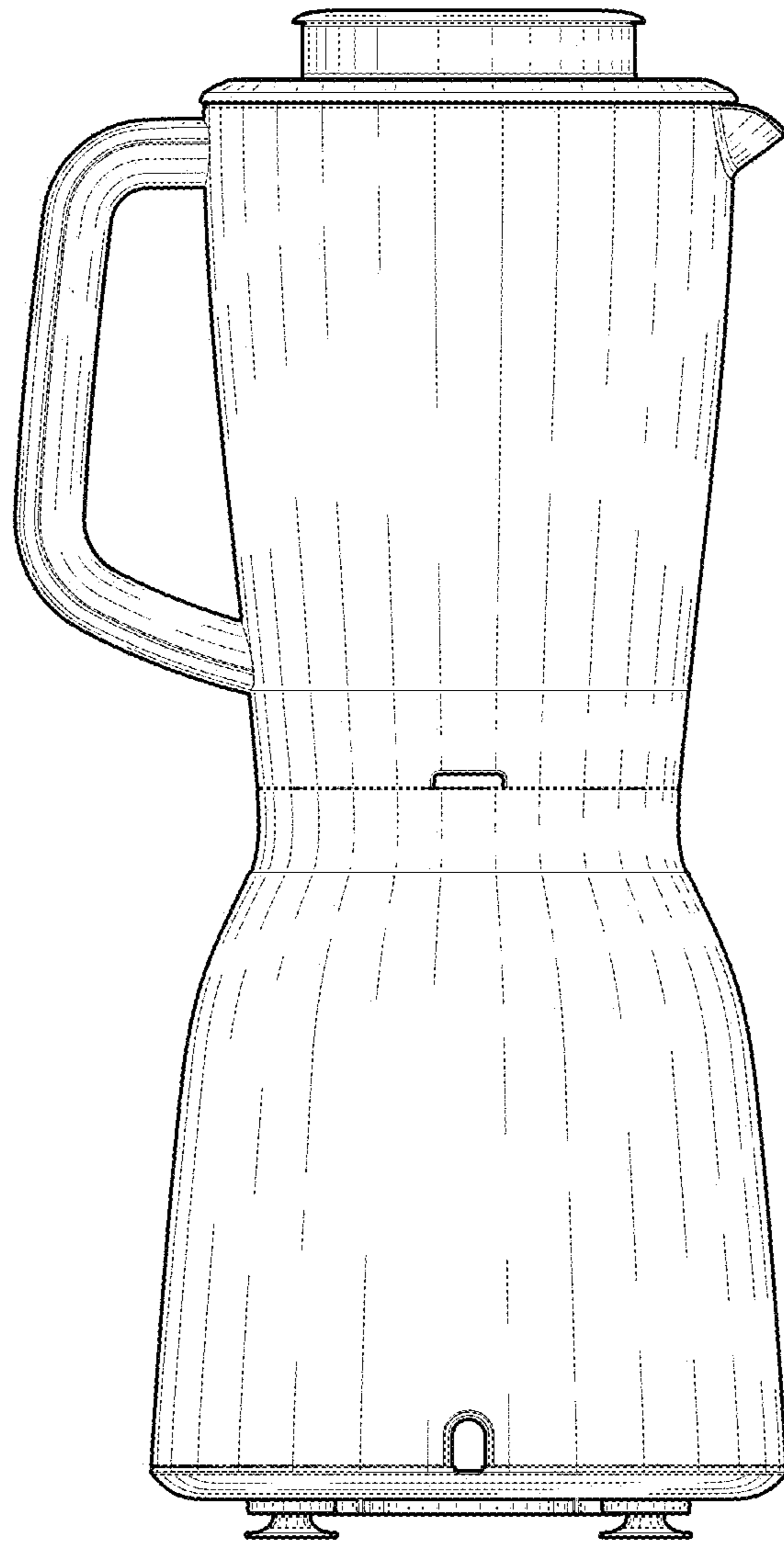


FIG. 3

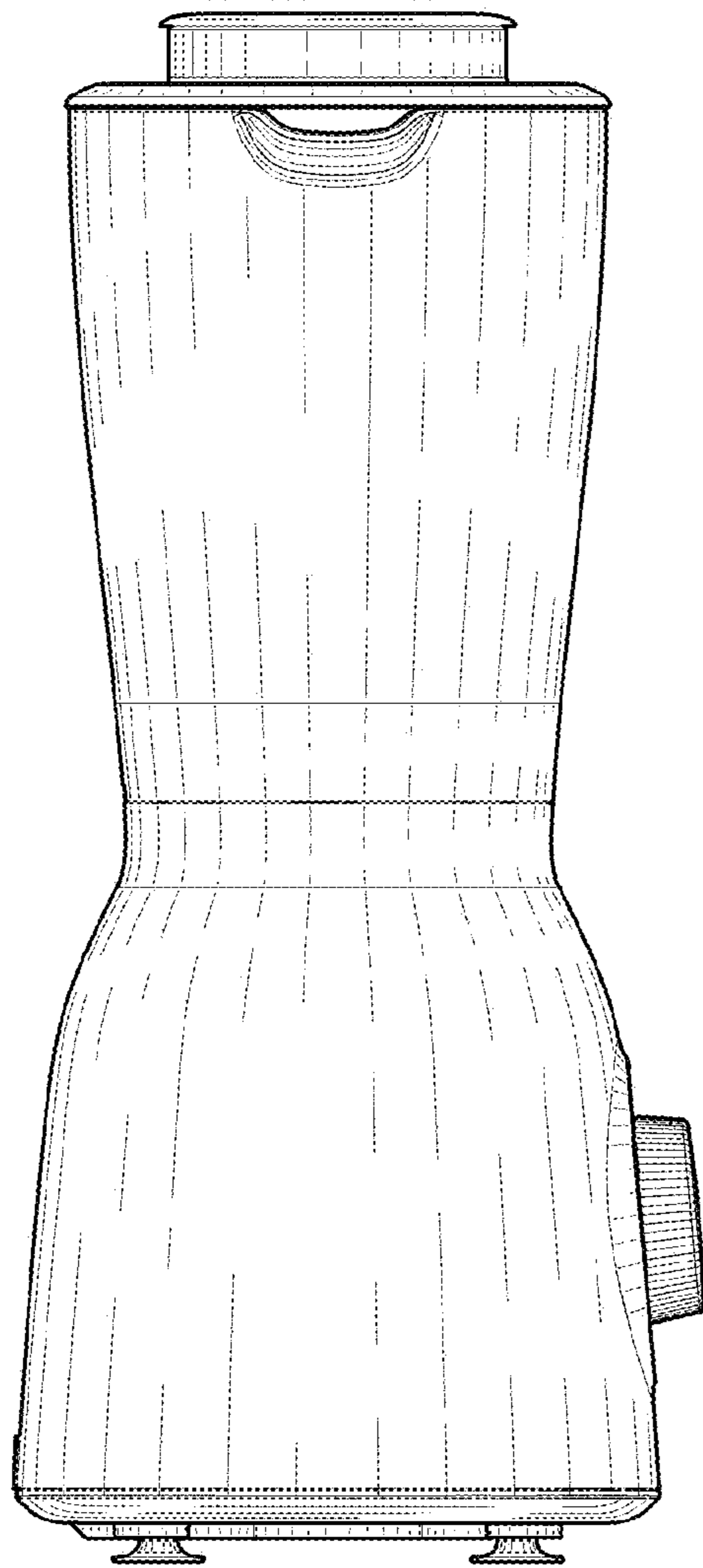


FIG. 4

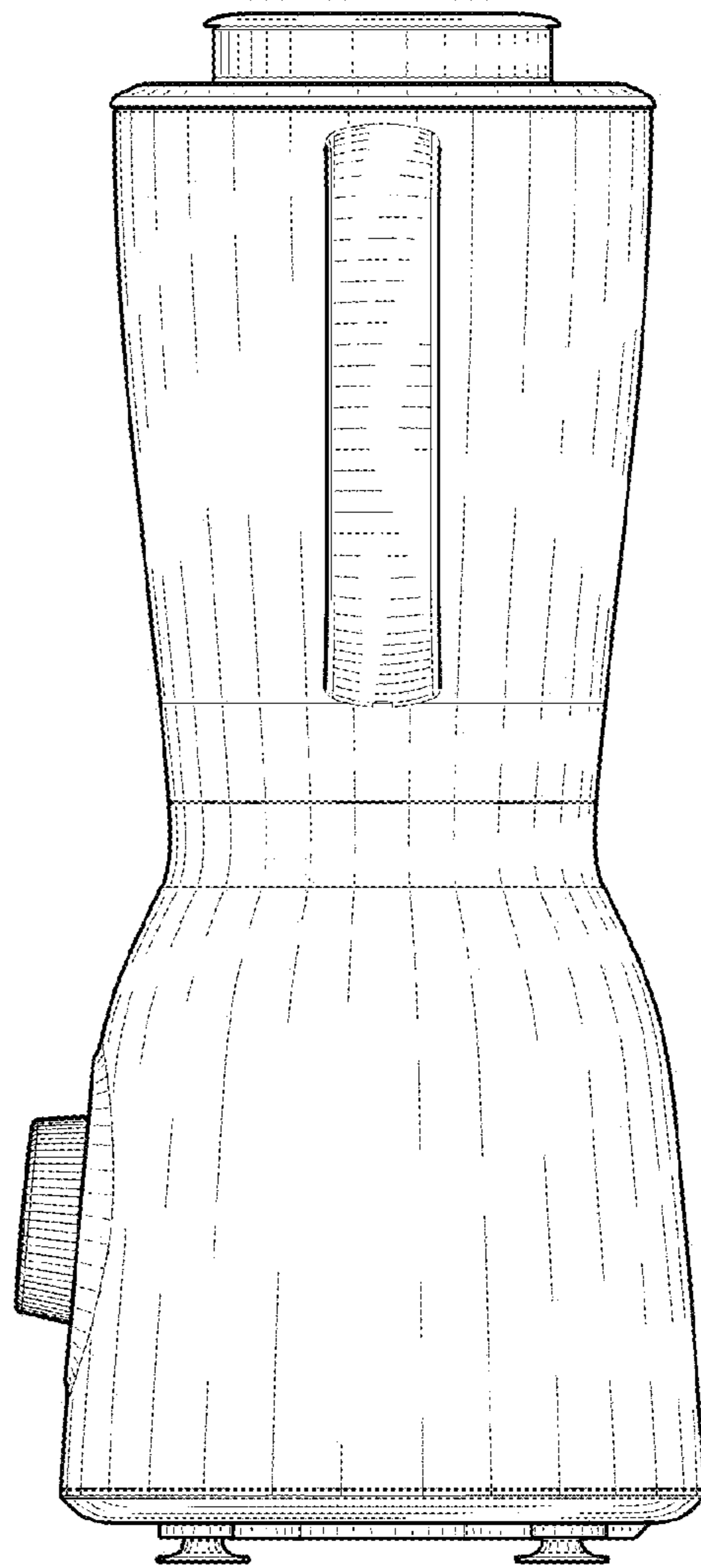


FIG. 5

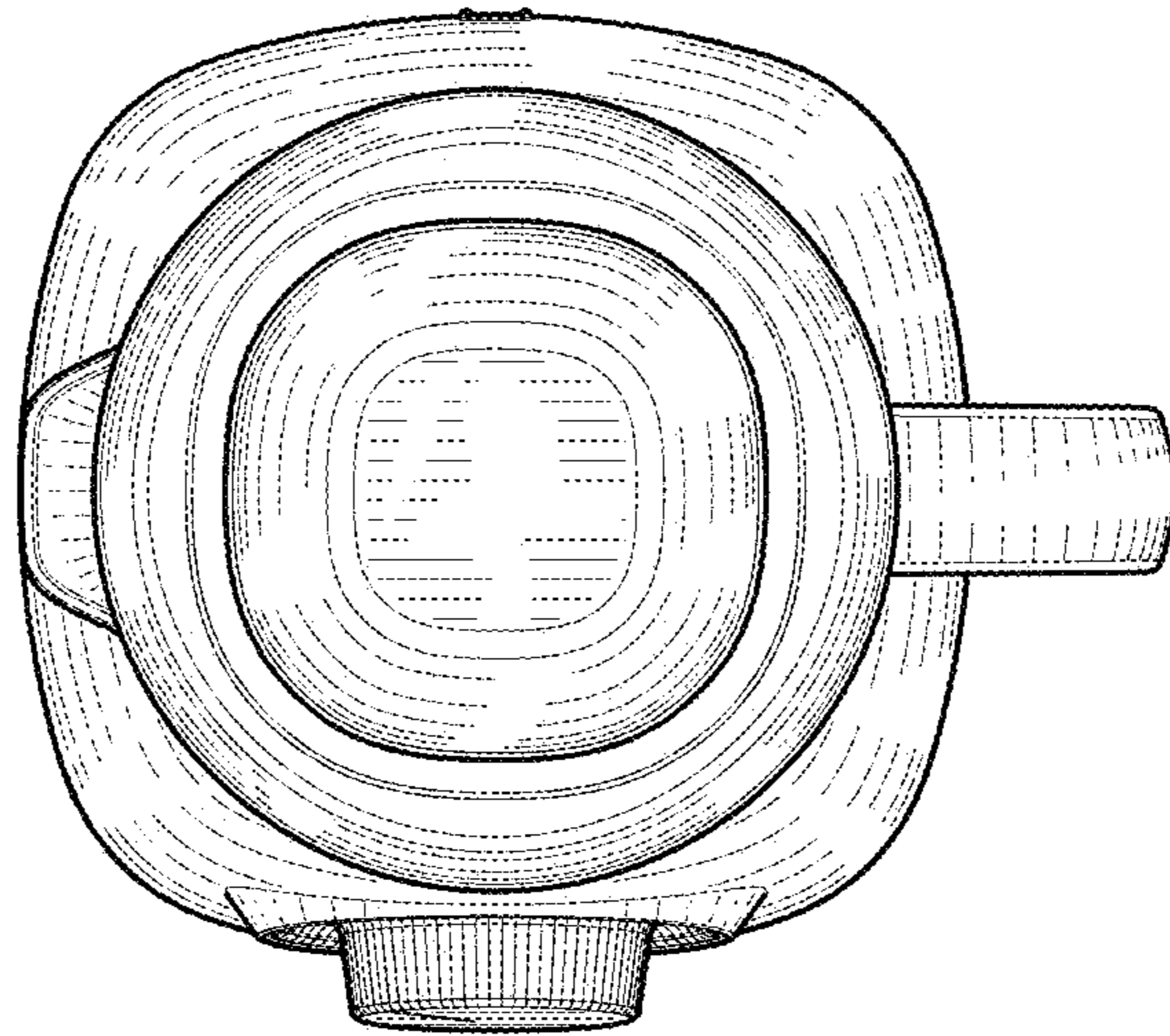


FIG. 6

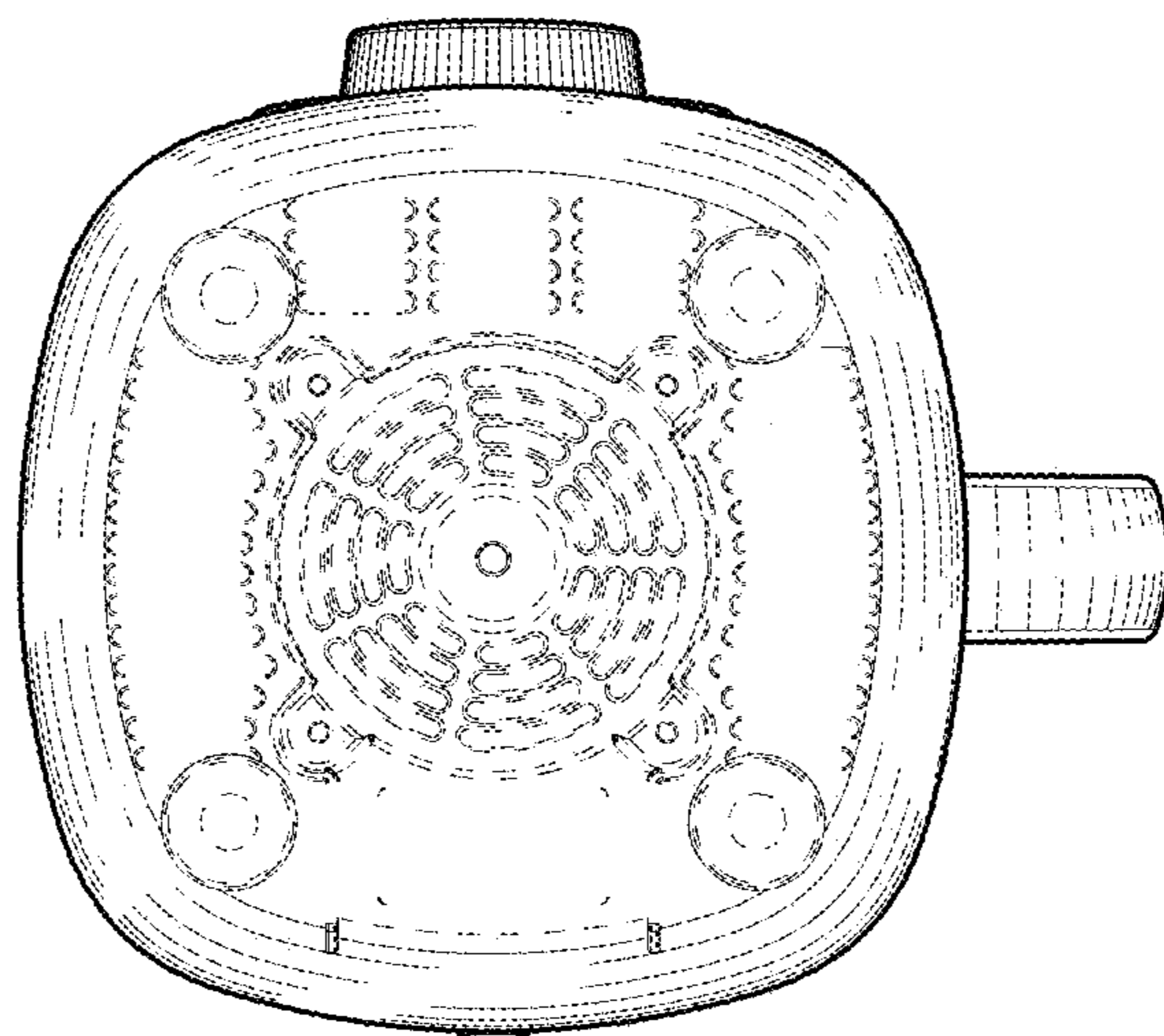


FIG. 7