



US00D759421S

(12) **United States Design Patent**
Wiggins

(10) **Patent No.:** **US D759,421 S**
(45) **Date of Patent:** **** Jun. 21, 2016**

(54) **CONTAINER WITH STACKING TABS**
(71) Applicant: **Dart Industries Inc.**, Orlando, FL (US)
(72) Inventor: **James Michael Wiggins**, Orlando, FL (US)
(73) Assignee: **Dart Industries Inc.**, Orlando, FL (US)
(**) Term: **14 Years**

(21) Appl. No.: **29/520,688**
(22) Filed: **Mar. 17, 2015**
(51) **LOC (10) Cl.** **07-02**
(52) **U.S. Cl.**
USPC **D7/354**
(58) **Field of Classification Search**
USPC D7/323, 354-361, 543, 545, 549, 550.1, D7/553.1-553.8, 554.1-554.4, 555, 584, D7/586, 602, 605, 629, 688, 709; D9/430-433, 455-456, 737, 756-762
CPC A21B 3/00; A21B 3/003; A21B 3/13; A21B 3/15; A21B 3/134; A21B 5/00; A21B 5/02; A47J 36/022; A47J 36/025; A47J 36/027; A47J 37/00; A47J 37/04; A47J 37/10; A47J 43/28; A47J 43/284; B65D 1/22; B65D 1/24; B65D 1/34; B65D 1/36; B65D 21/0204; B65D 21/0224; B65D 81/343; B65D 45/02; B65D 85/36; B65F 1/0053
See application file for complete search history.

5,062,539 A * 11/1991 Chandler B65F 1/0053 206/508
5,116,240 A 5/1992 Wischhusen et al.
D369,282 S * 4/1996 Arduini D7/542
5,547,098 A 8/1996 Jordan
5,699,925 A * 12/1997 Petruzzi B65D 21/0204 206/508
6,209,725 B1 4/2001 Chen
(Continued)

FOREIGN PATENT DOCUMENTS

DE 102007032382 A1 1/2008
EP 1 026 090 A1 9/2000

OTHER PUBLICATIONS

Snapware Everyday Egg-Tainer; Oct. 21, 2010.
(Continued)

Primary Examiner — Ricky Pham
(74) *Attorney, Agent, or Firm* — Taylor J. Ross

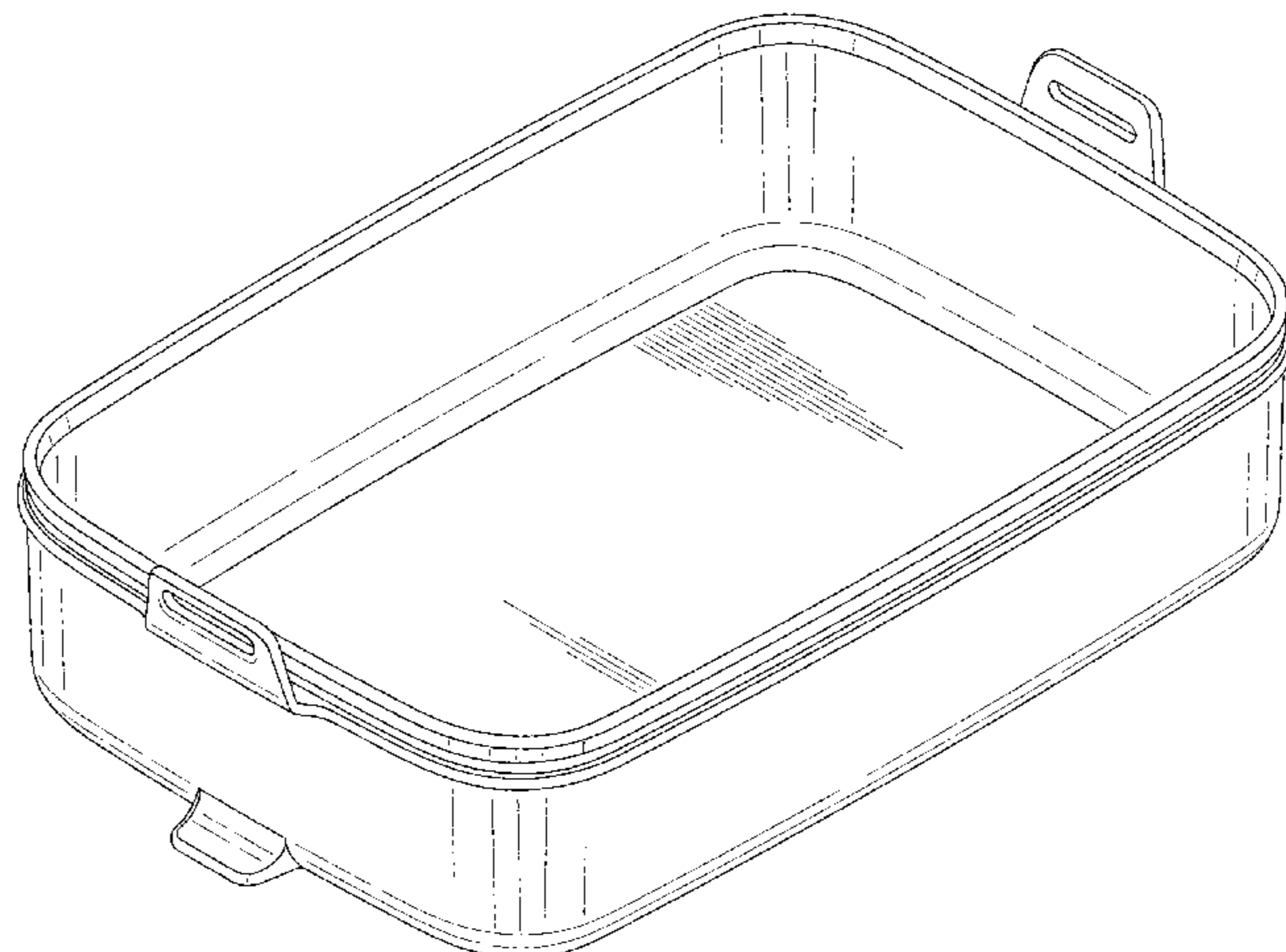
(57) **CLAIM**
The ornamental design for a container with stacking tabs, as shown and described.

DESCRIPTION

This application is related to co-pending U.S. patent application Ser. Nos. 29/520,691, 29/520,704, and 29/520,706, which are incorporated herein by reference.
FIG. 1 is a top, front and right side perspective view of a container with stacking tabs showing my new design;
FIG. 2 is a bottom, rear and right side perspective view thereof;
FIG. 3 is a top plan view thereof;
FIG. 4 is a bottom plan view thereof;
FIG. 5 is a front elevation view, the rear elevation being identical thereto;
FIG. 6 is a right side elevation view, the left side being identical thereto; and,
FIG. 7 is a cross-sectional view taken along line 7-7 of FIG. 3.

1 Claim, 6 Drawing Sheets

(56) **References Cited**
U.S. PATENT DOCUMENTS
D188,553 S 8/1960 Tupper
D206,079 S 10/1966 Swett
3,558,002 A * 1/1971 Lindgren A47J 37/10 220/657
D241,600 S * 9/1976 Ashton 220/322
D241,703 S * 10/1976 Ashton D7/629
4,619,363 A * 10/1986 Wolfseder B65D 21/0224 206/372
4,976,370 A * 12/1990 Cassel B65D 1/22 220/792



(56)

References Cited

U.S. PATENT DOCUMENTS

D462,877 S 9/2002 Lillelund et al.
D470,018 S * 2/2003 Claypool D7/545
D472,774 S 4/2003 Pelstring et al.
D511,632 S 11/2005 Lown
D563,731 S * 3/2008 Thurston D7/605
7,510,096 B2 3/2009 Wang
D630,887 S 1/2011 Olivari

D655,575 S * 3/2012 Ruzika D7/543
9,187,210 B2 * 11/2015 Zhu B65D 45/02
D748,945 S * 2/2016 Chase D7/545
2009/0236255 A1 9/2009 Piacenza et al.

OTHER PUBLICATIONS

Monbento Original Bento Box; MonbentoTM; Jun. 20, 2012.
Snapware Snap N Stack Storage Container; Snapware; Jun. 9, 2011.

* cited by examiner

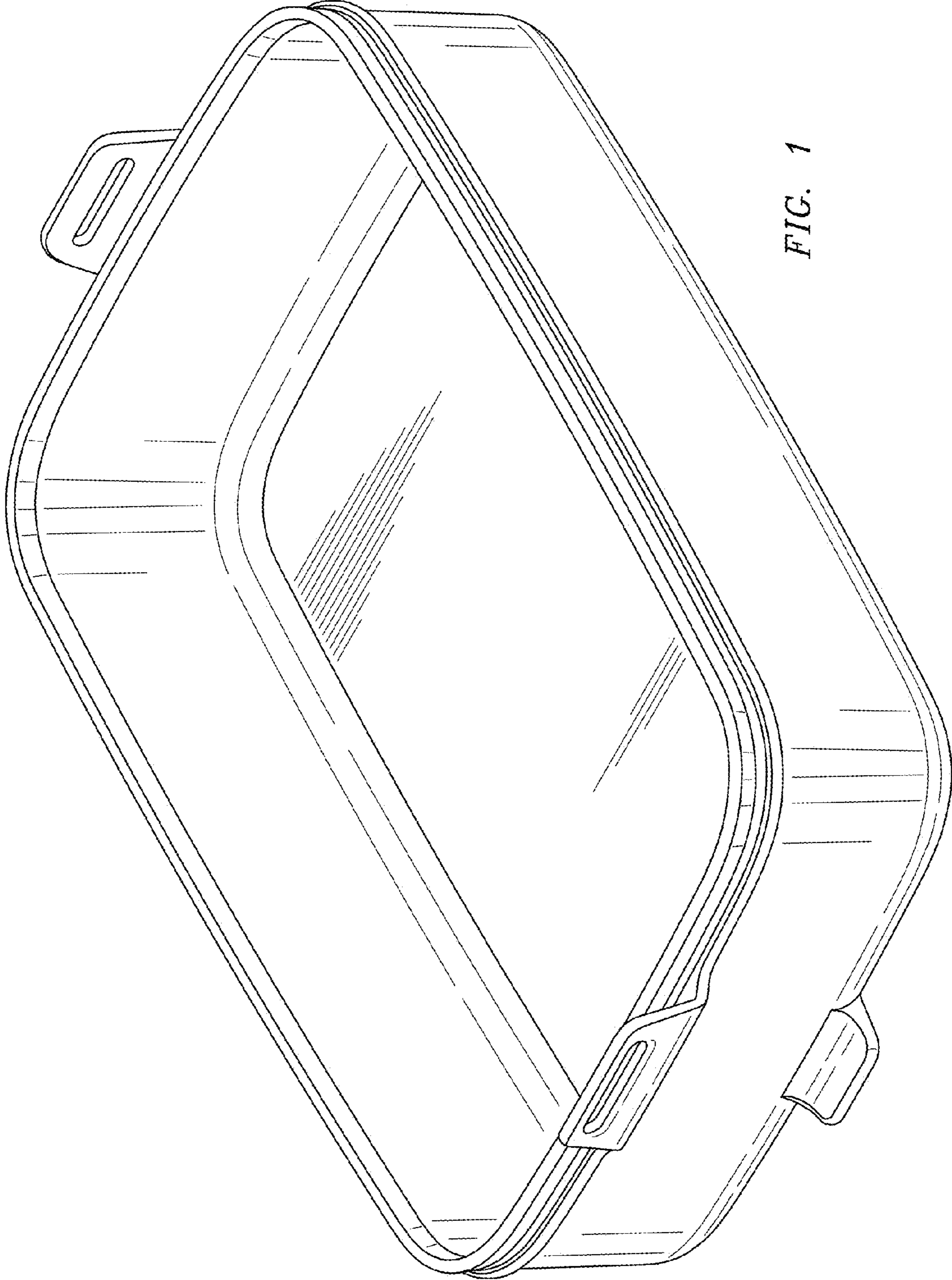


FIG. 1

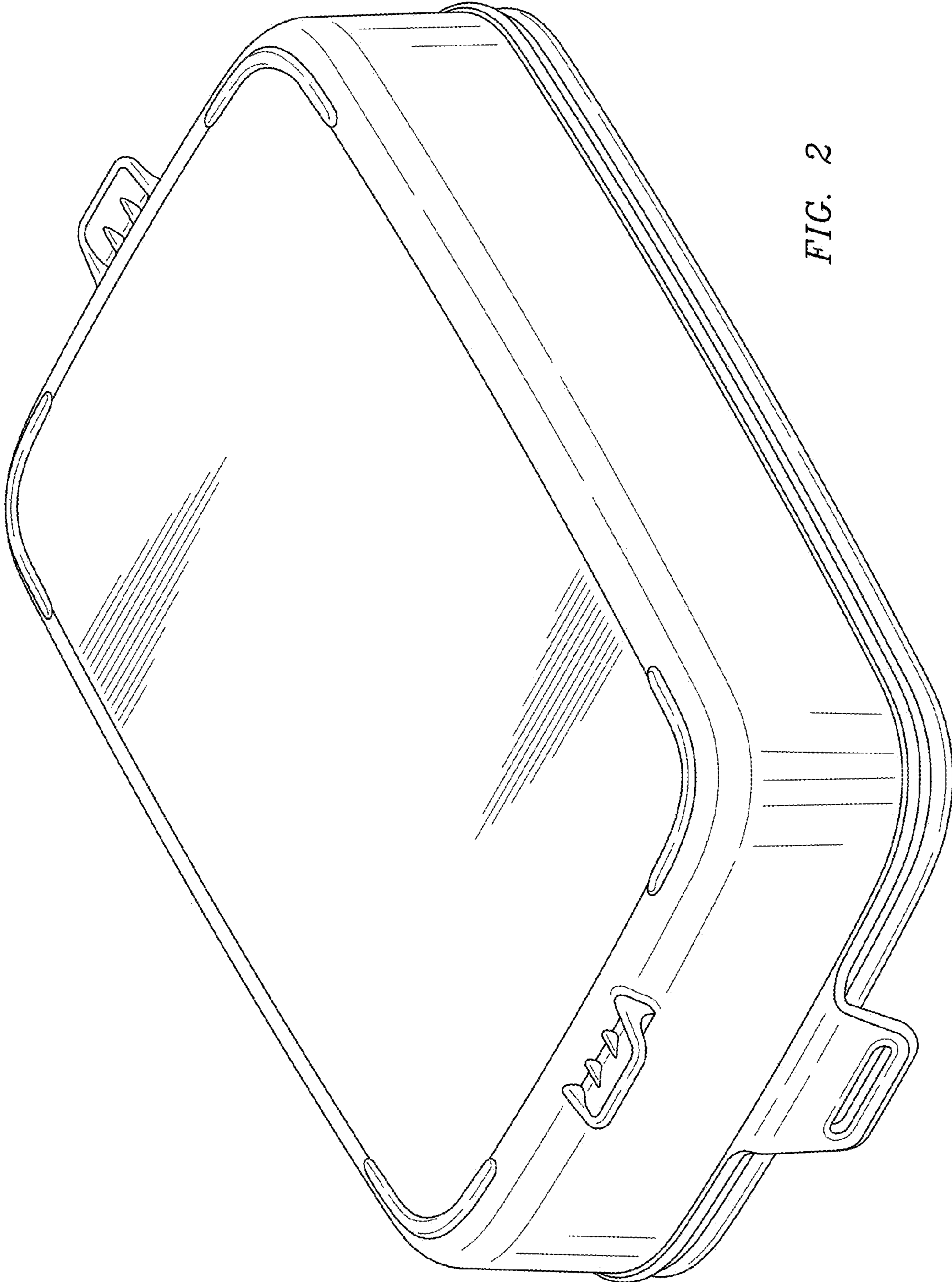


FIG. 2

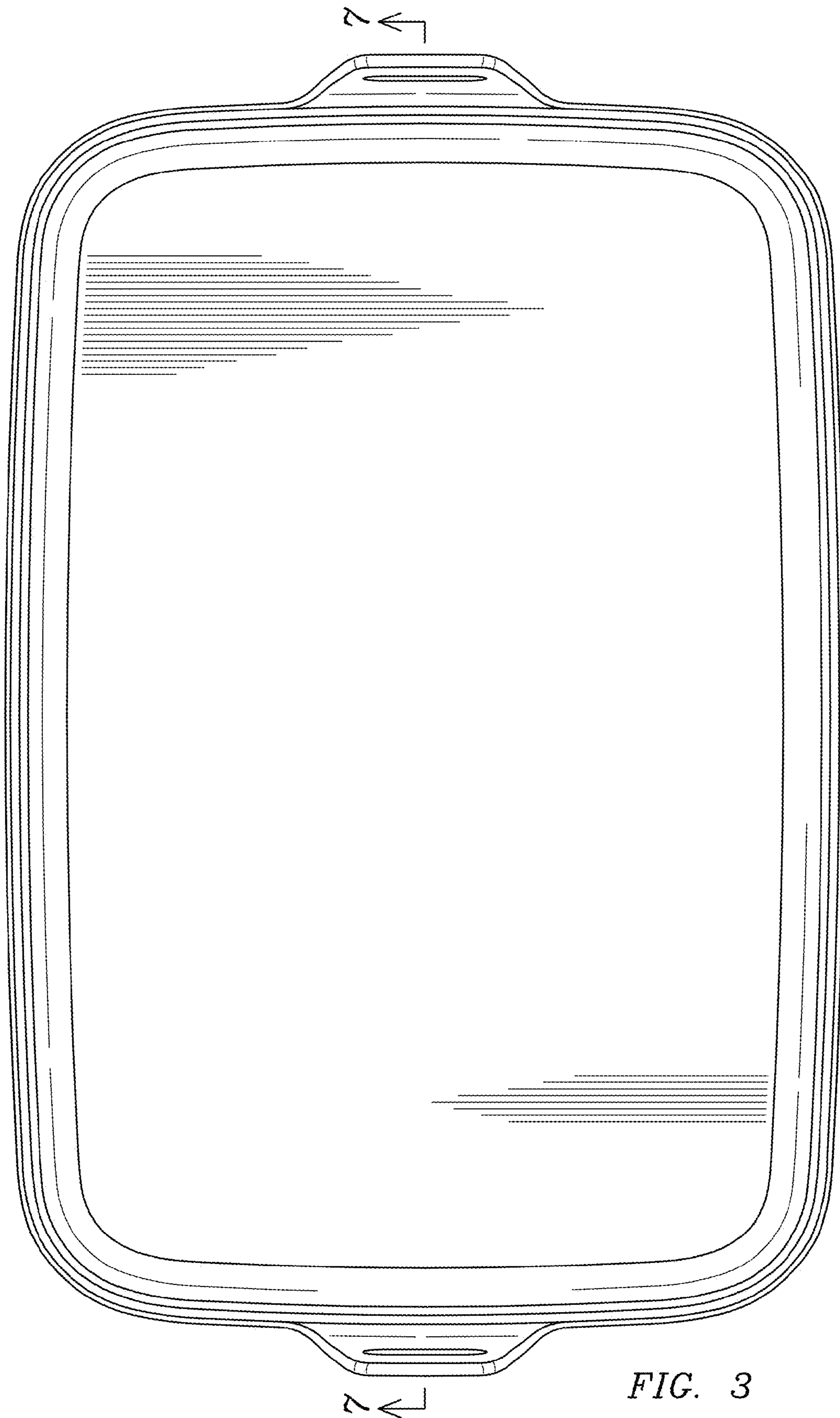


FIG. 3

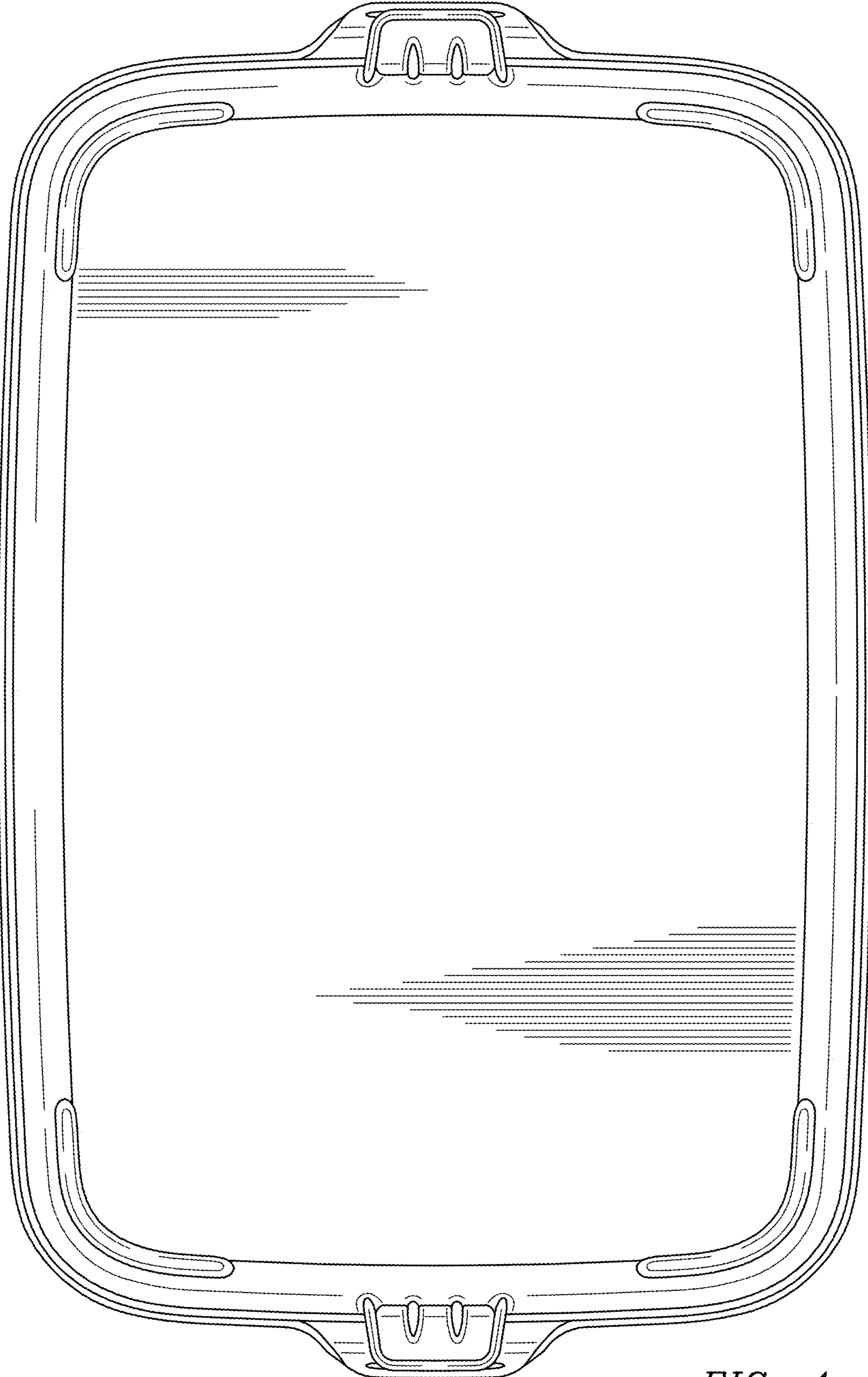


FIG. 4

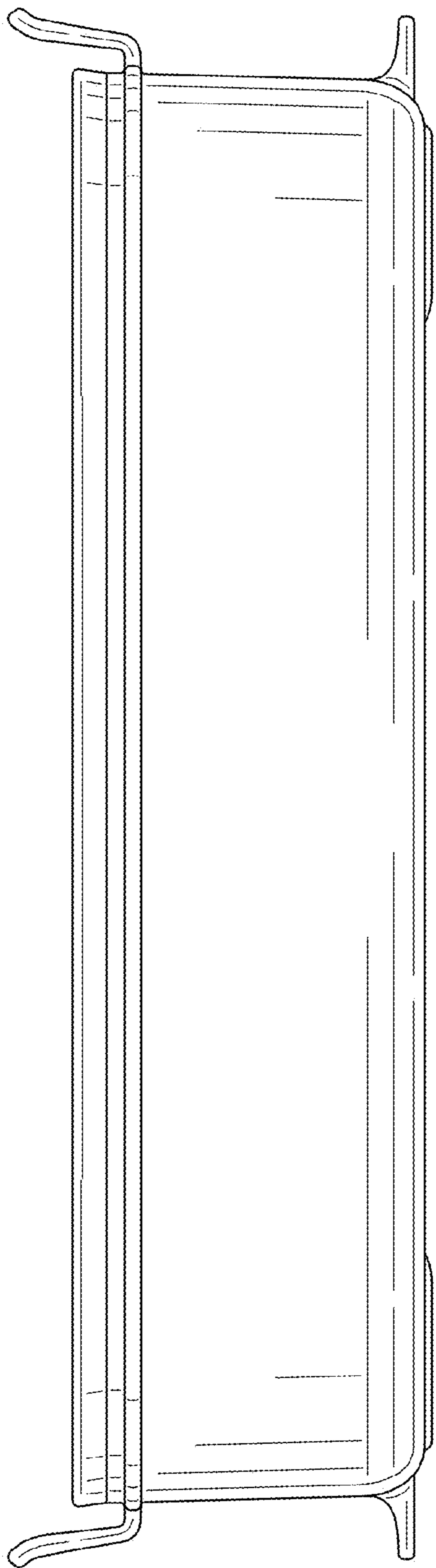


FIG. 5

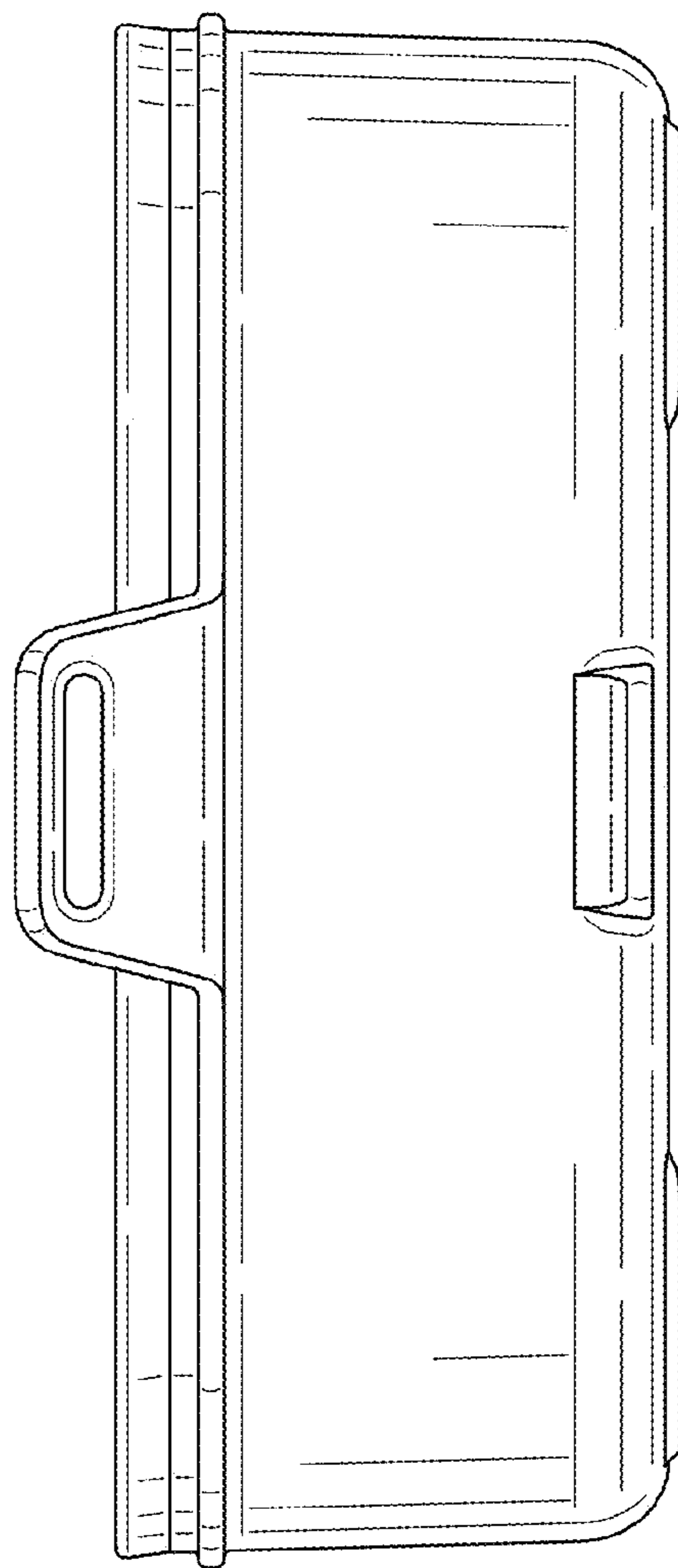


FIG. 6

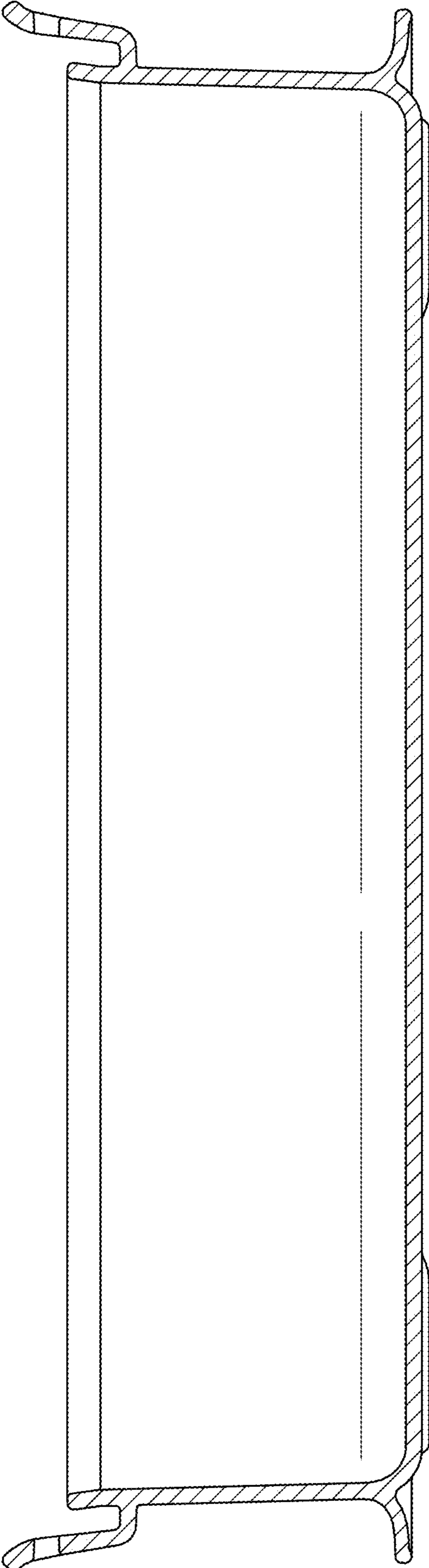


FIG. 7