



US00D759420S

(12) **United States Design Patent**  
**Lee et al.**

(10) **Patent No.:** **US D759,420 S**  
(45) **Date of Patent:** **\*\* Jun. 21, 2016**

(54) **STEAMER**

(71) Applicant: **Robinson Home Products Inc.**,  
Williamsville, NY (US)

(72) Inventors: **Stuart Harvey Lee**, Forest Hills, NY  
(US); **Jenna Marie Edgemon**,  
Brooklyn, NY (US)

(73) Assignee: **Robinson Home Products Inc.**,  
Williamsville, NY (US)

(\*\*) Term: **14 Years**

(21) Appl. No.: **29/513,001**

(22) Filed: **Dec. 24, 2014**

(51) **LOC (10) Cl.** ..... **07-02**

(52) **U.S. Cl.**  
USPC ..... **D7/354; D7/667**

(58) **Field of Classification Search**  
USPC ..... D7/667, 669, 354, 323, 359, 361, 400  
CPC ..... A47J 43/286; A47J 43/00; A47J 43/28;  
A47J 36/20; A47J 36/22; A47J 43/24  
See application file for complete search history.

(56) **References Cited**

**U.S. PATENT DOCUMENTS**

4,138,939 A \* 2/1979 Feld ..... A47J 43/24  
99/418  
5,349,898 A \* 9/1994 Po Wo Cheung ..... A47J 36/20  
126/369

D379,289 S \* 5/1997 Jeppesen ..... D7/667  
D656,800 S \* 4/2012 Lee ..... D7/667  
D660,661 S \* 5/2012 Lee ..... D7/667  
2008/0099476 A1 \* 5/2008 Fung ..... A47J 36/02  
220/6  
2008/0230462 A1 \* 9/2008 Curtin ..... A47J 43/24  
210/232

\* cited by examiner

*Primary Examiner* — Terry Wallace

(74) *Attorney, Agent, or Firm* — Florek & Endres PLLC

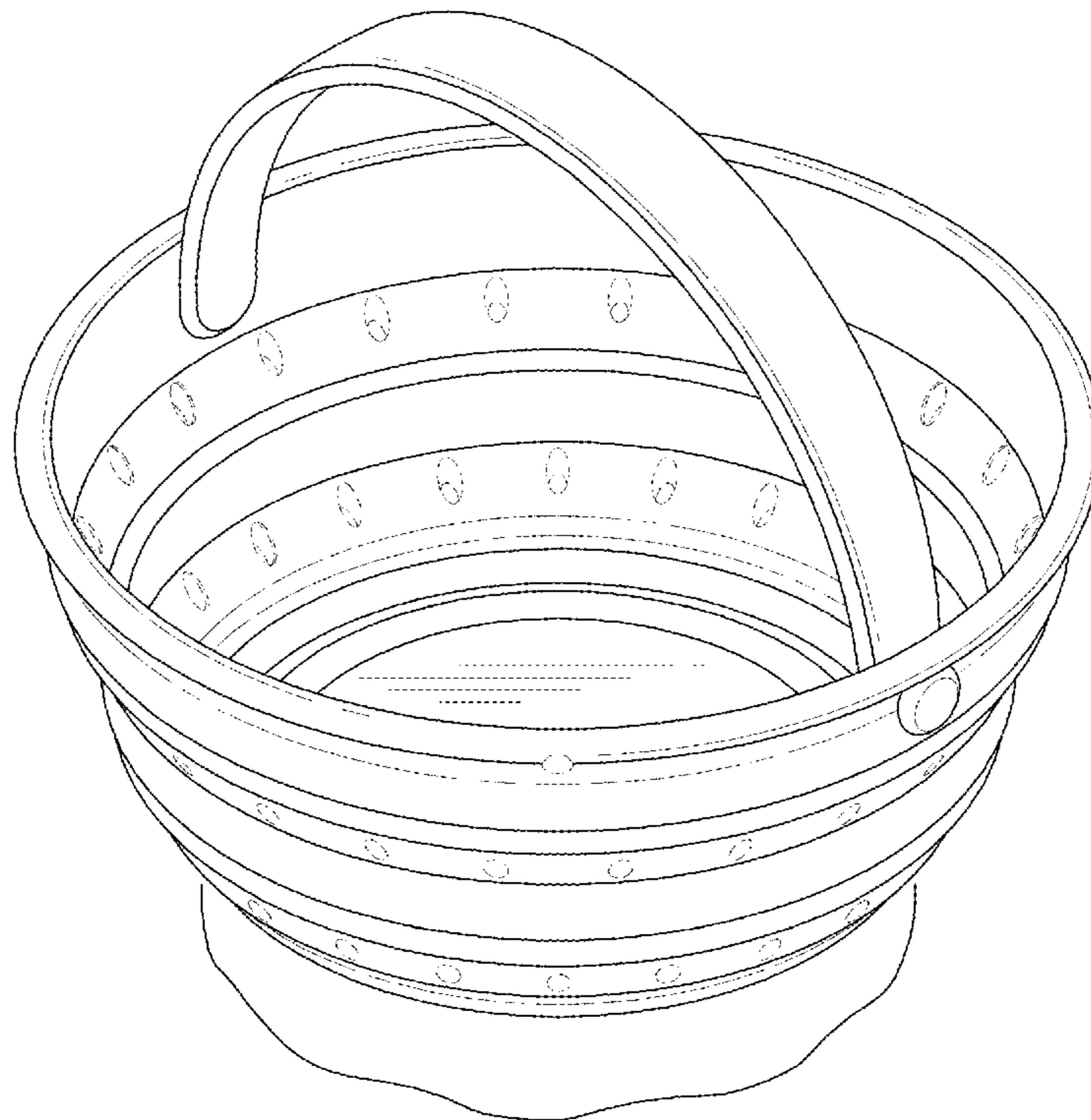
(57) **CLAIM**

We claim the ornamental design for a steamer, as shown and described.

**DESCRIPTION**

FIG. 1 is a perspective view of the steamer of the present invention in its open configuration.  
FIG. 2 is a front elevation of the steamer of FIG. 1.  
FIG. 3 is a rear elevation of the steamer of FIG. 1.  
FIG. 4 is a right side elevation of the steamer of FIG. 1.  
FIG. 5 is a left side elevation of the steamer of FIG. 1.  
FIG. 6 is a top plan view of the steamer of FIG. 1; and, FIG. 7 is a bottom plan view of the steamer of FIG. 1.  
The broken lines in the drawings represent unclaimed features.

**1 Claim, 7 Drawing Sheets**



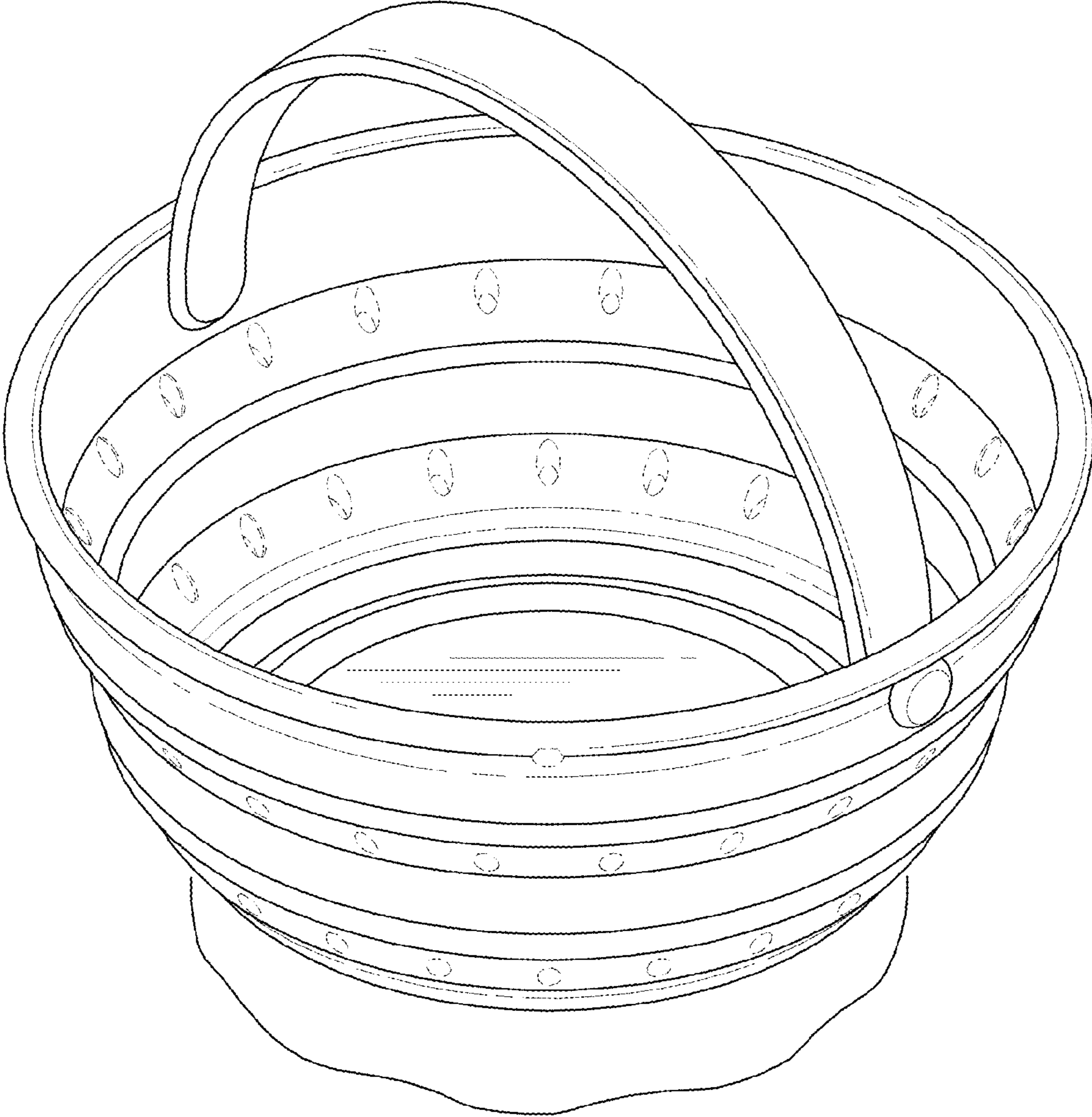


FIG. 1

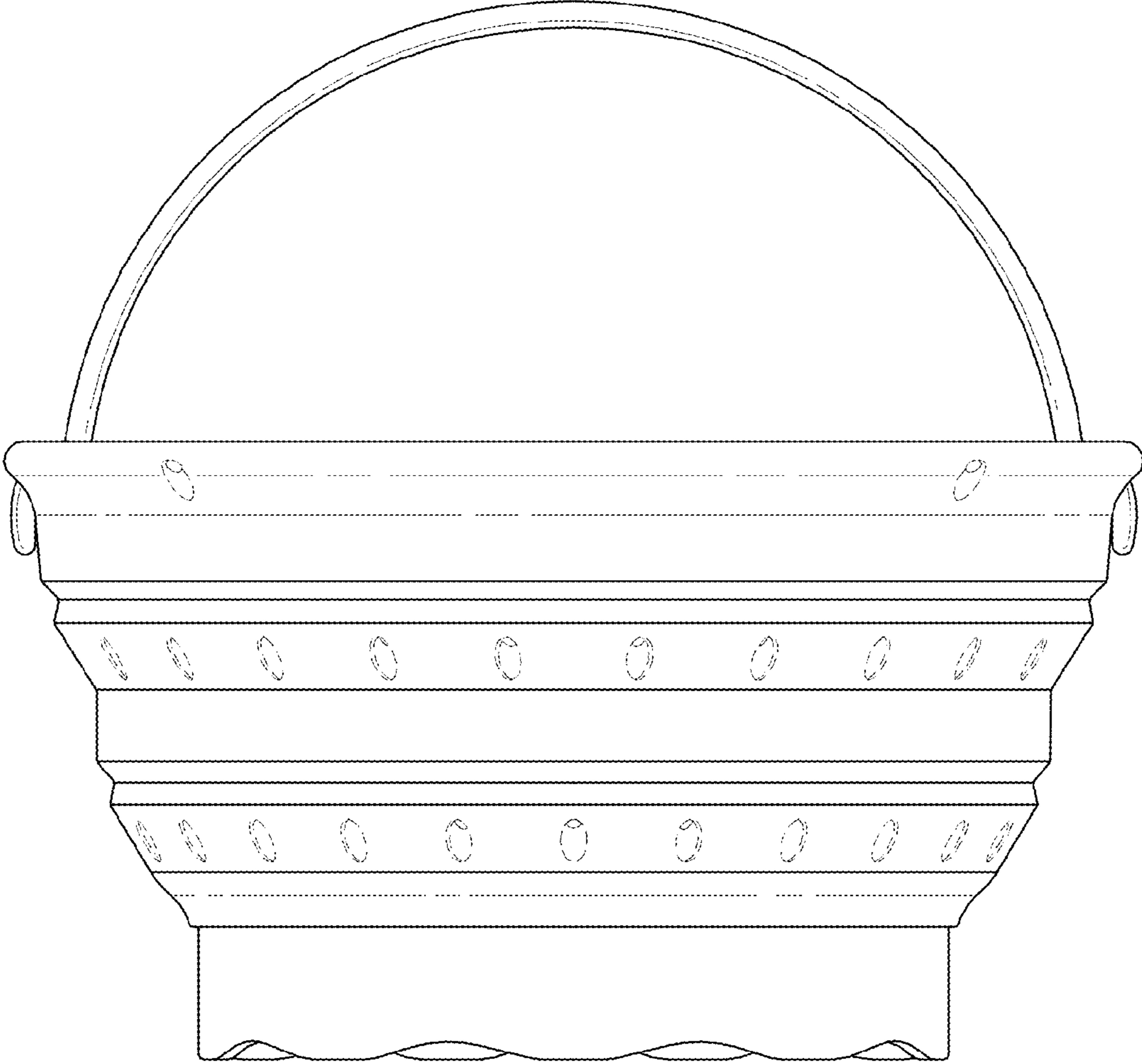


FIG. 2

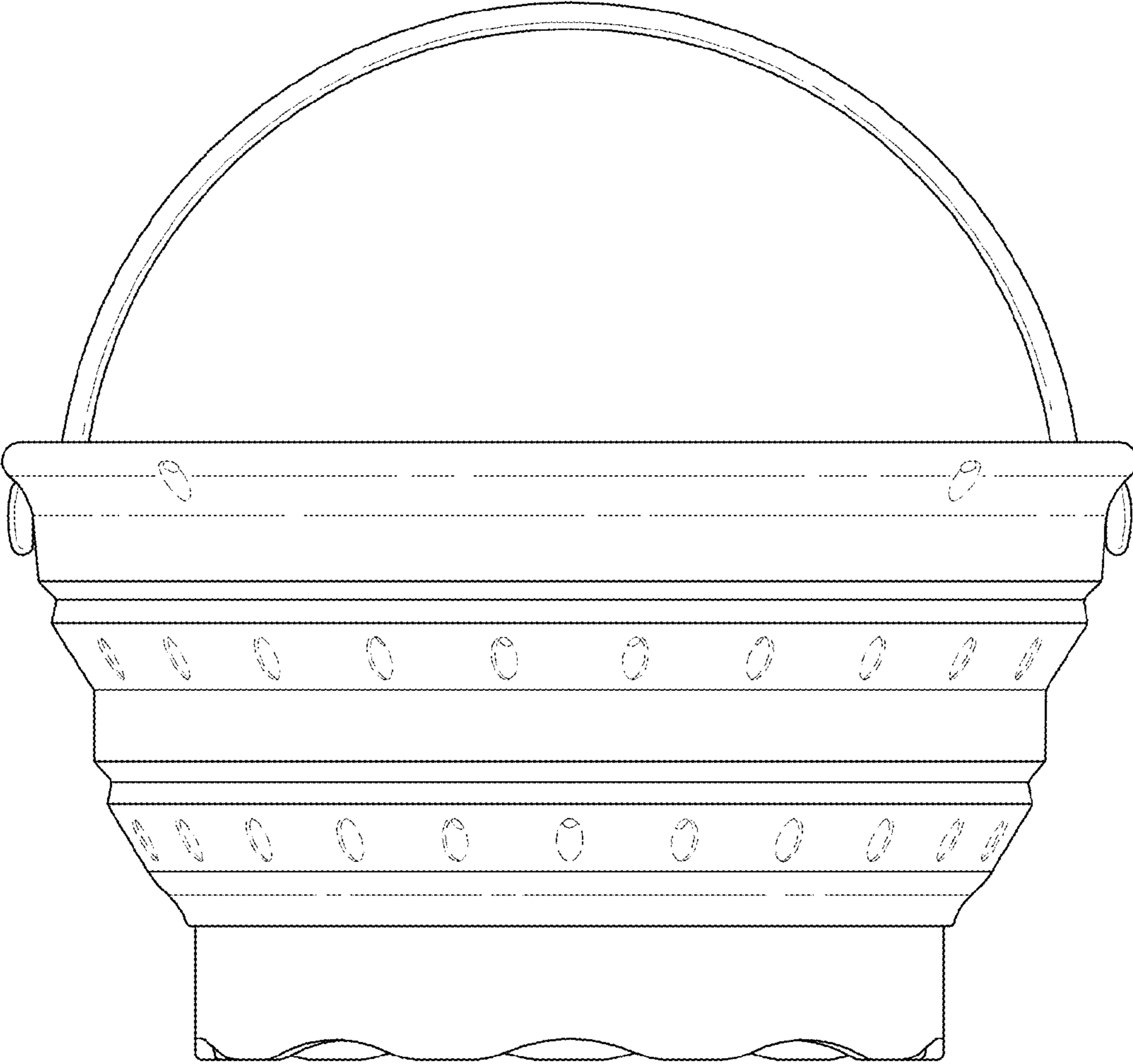


FIG. 3

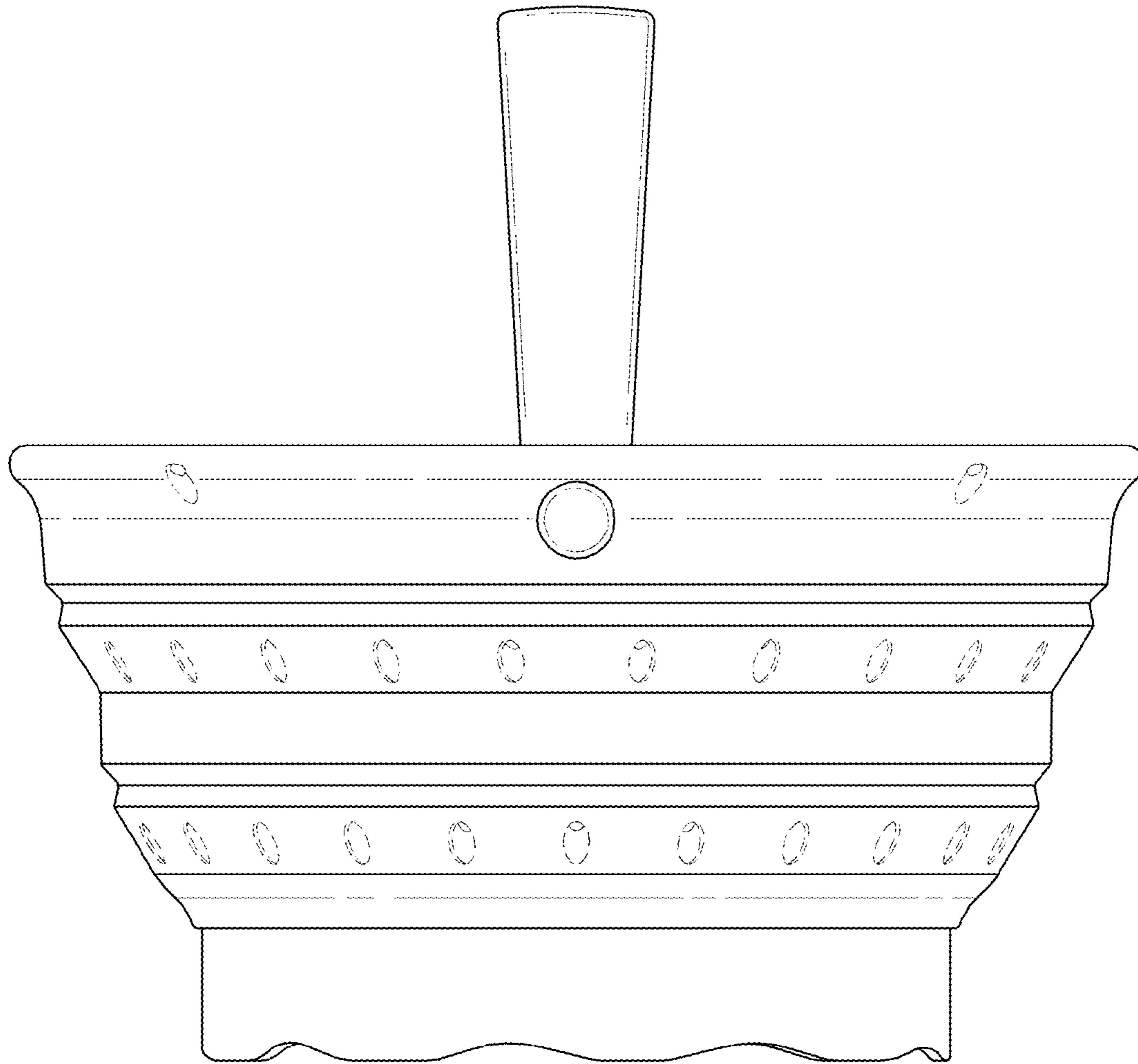


FIG. 4

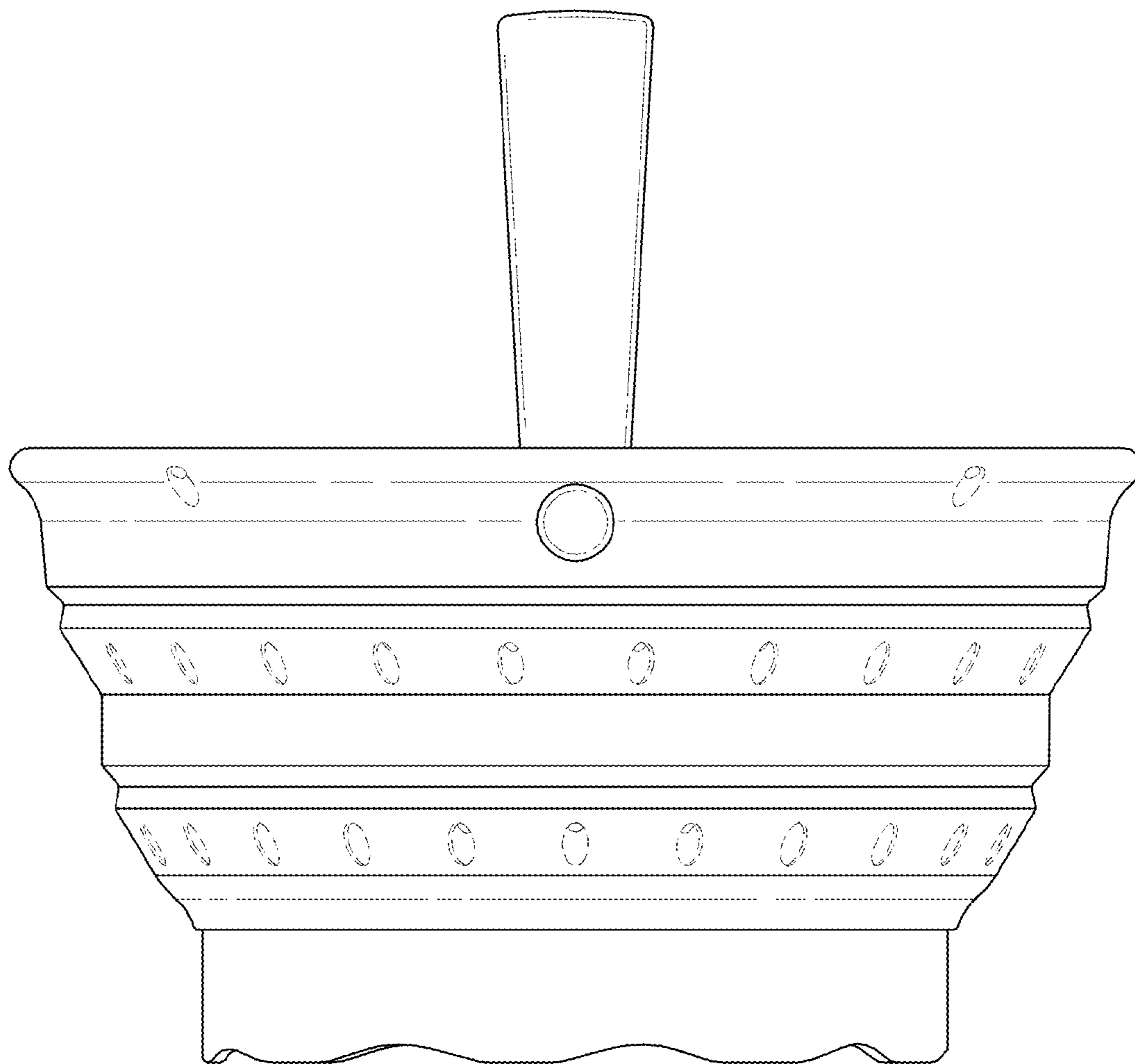


FIG. 5

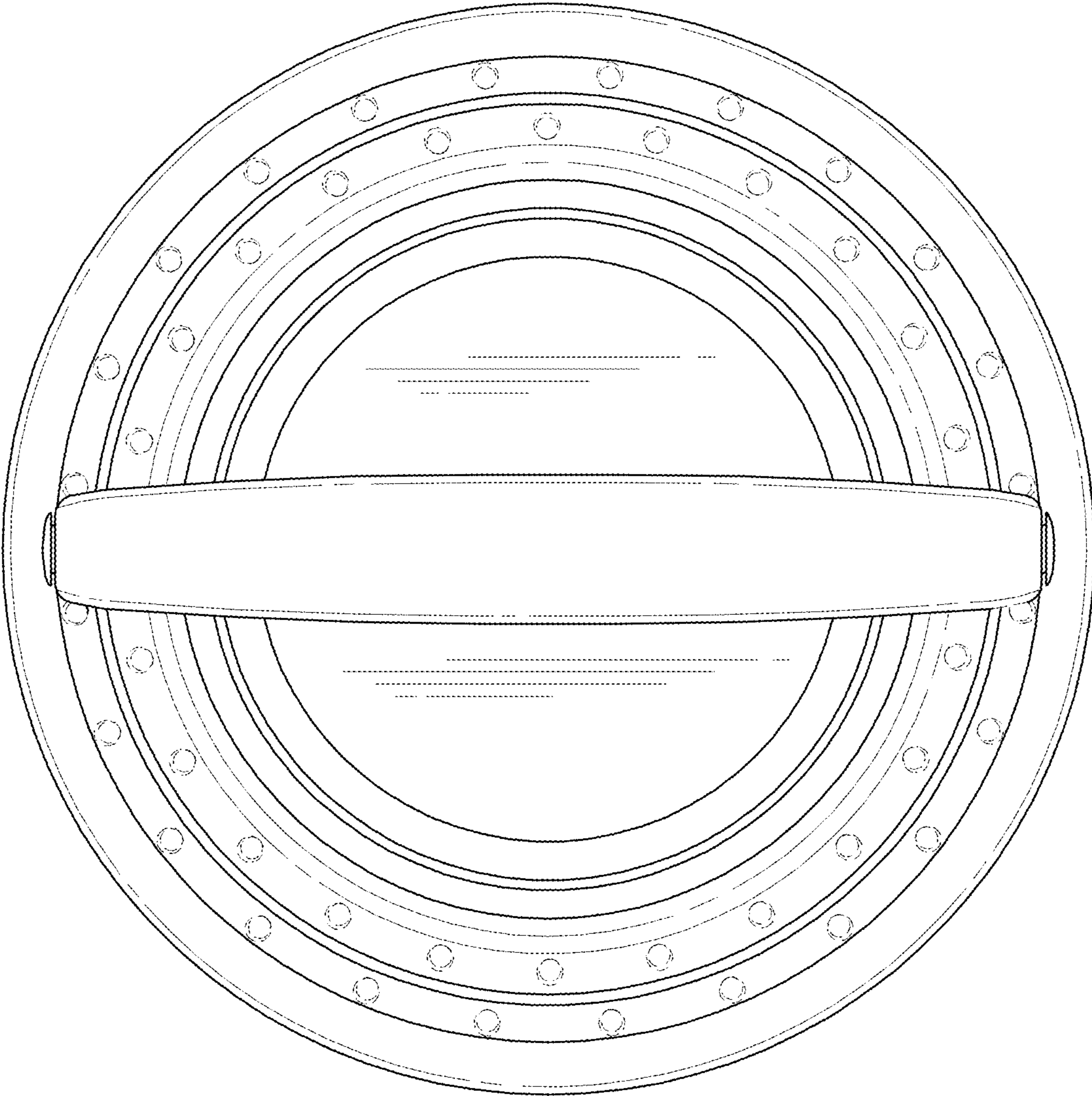


FIG. 6

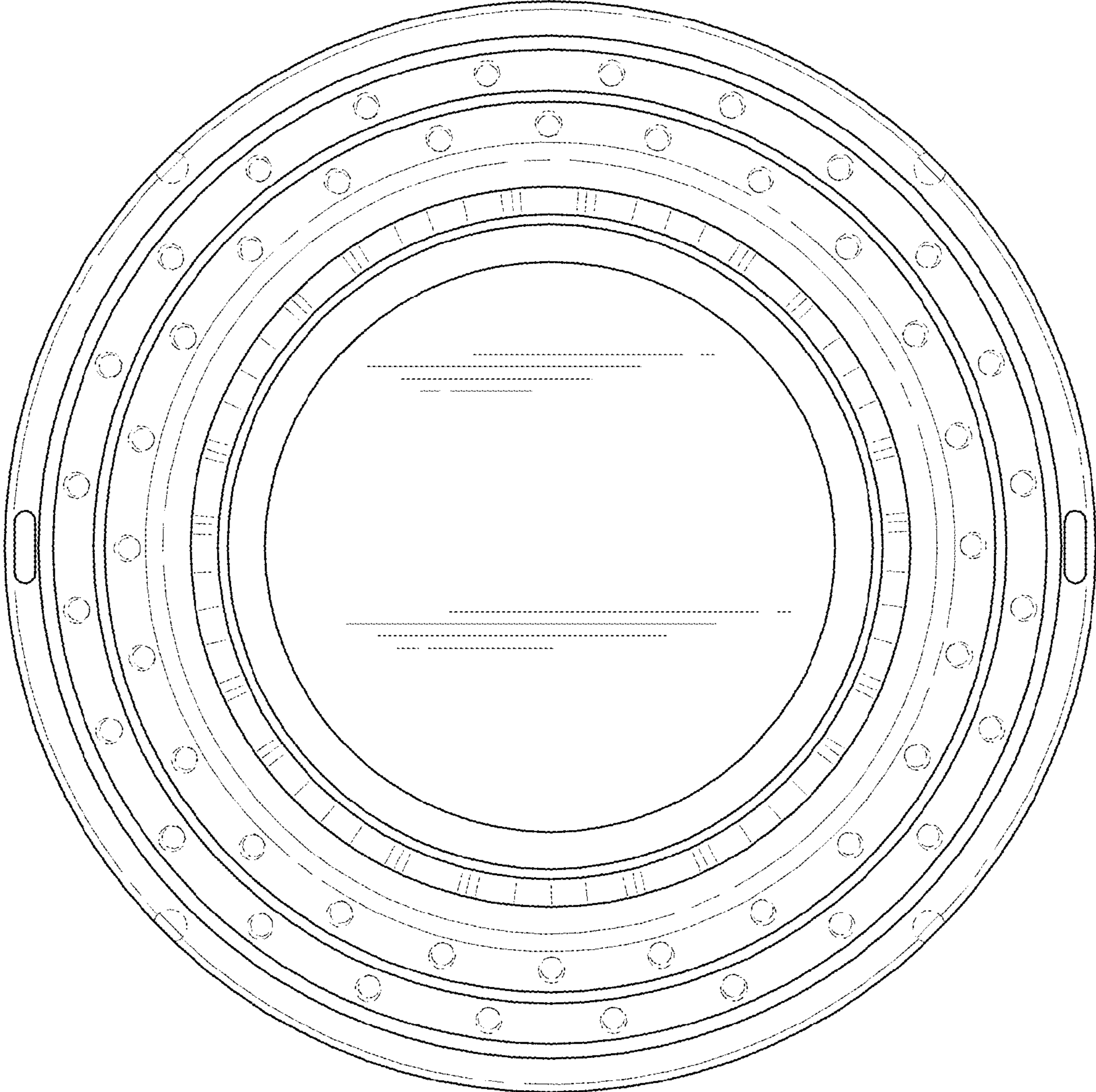


FIG. 7