



US00D759419S

(12) **United States Design Patent**  
**Ruscito**

(10) **Patent No.:** **US D759,419 S**  
(45) **Date of Patent:** **\*\* Jun. 21, 2016**

(54) **PORTABLE MICROWAVE**  
(71) Applicant: **Diane C. Ruscito**, North Kingstown, RI (US)  
(72) Inventor: **Diane C. Ruscito**, North Kingstown, RI (US)  
(\*\*) Term: **14 Years**  
(21) Appl. No.: **29/516,730**

5,369,255 A \* 11/1994 Sherer ..... A47J 39/00  
219/717  
D425,359 S \* 5/2000 Seiz ..... D7/351  
D449,761 S 10/2001 Loftis et al.  
D456,665 S \* 5/2002 Wright ..... D7/350.4  
D465,696 S \* 11/2002 Taira ..... D7/351  
6,774,567 B2 8/2004 Jang et al.  
D603,210 S \* 11/2009 Davis ..... D7/350.1  
D618,489 S \* 6/2010 Miyabayashi ..... D7/351  
8,405,010 B2 3/2013 Van Dyke et al.  
2011/0166481 A1 7/2011 Rhoad et al.  
2011/0284334 A1\* 11/2011 Cheng ..... A45C 13/002  
190/18 A

(22) Filed: **Feb. 5, 2015**  
(51) **LOC (10) Cl.** ..... **07-02**  
(52) **U.S. Cl.**  
USPC ..... **D7/339; D7/348**  
(58) **Field of Classification Search**  
USPC ..... D7/323, 326, 328-330, 339-350.4, 351,  
D7/390, 402-406; D8/300-306  
CPC ..... A21B 2/00; A45C 13/002; A47J 37/00;  
A47J 37/06; A47J 37/0611; A47J 37/08;  
A47J 37/0807; A47J 37/0814; A47J 37/0835;  
A47J 37/0842; A47J 37/085; A47J 37/0864;  
A47J 37/0878; A47J 37/0885; A47J 37/0892;  
A47J 39/00; F24C 7/00; F24C 7/002; F24C  
7/046; F24C 7/067; F24C 15/02; F24C 15/04;  
F24C 15/10; F24C 15/102  
See application file for complete search history.

**FOREIGN PATENT DOCUMENTS**

EP 0171170 A3 8/1987

\* cited by examiner

*Primary Examiner* — Ricky Pham

(74) *Attorney, Agent, or Firm* — Robert C. Montgomery;  
Montgomery Patent

(57) **CLAIM**

The ornamental design for a portable microwave, as shown and described.

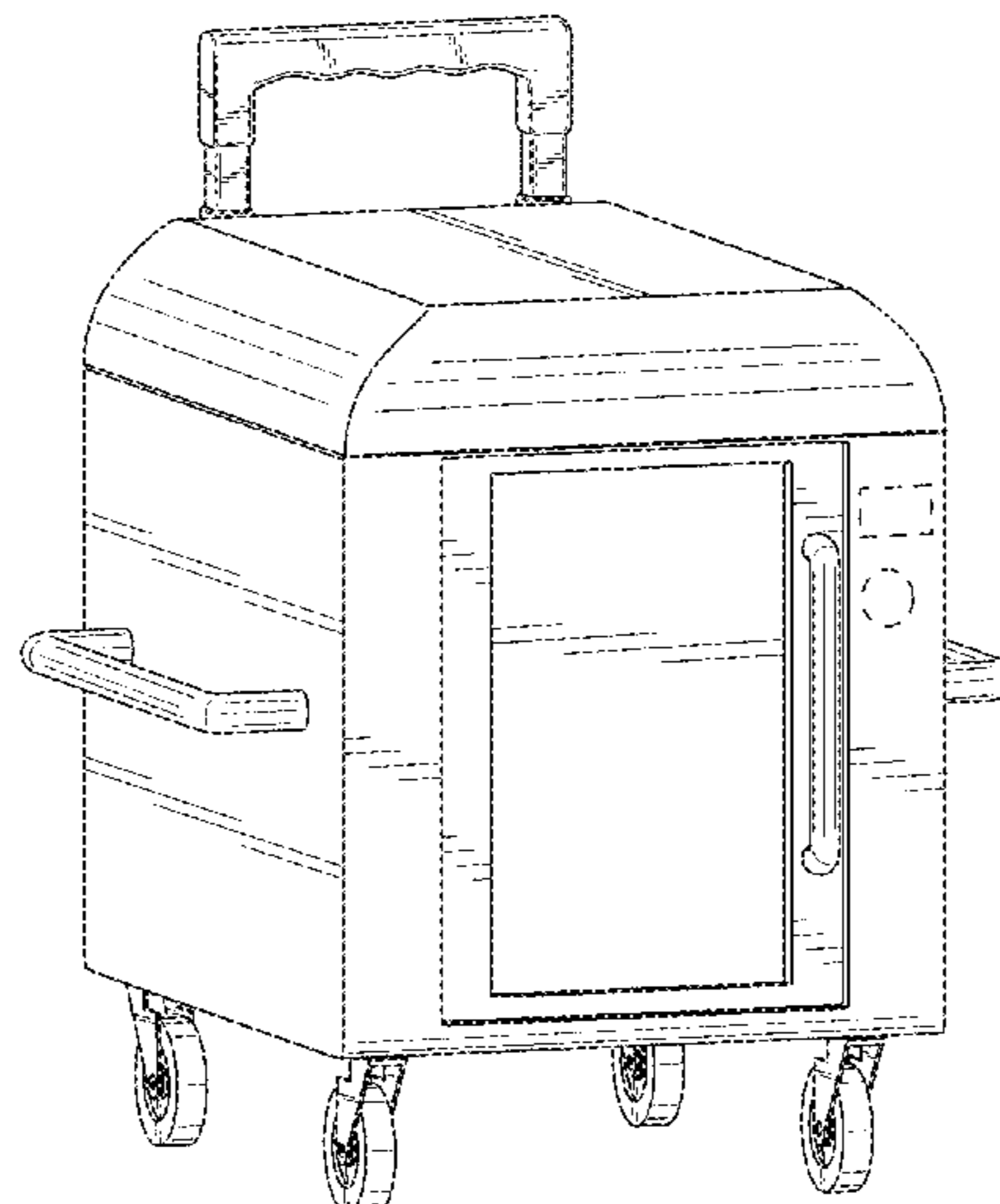
**DESCRIPTION**

FIG. 1 is a perspective front view of the portable microwave, showing my new design;  
FIG. 2 is a front side view thereof;  
FIG. 3 is a back side view thereof;  
FIG. 4 is a right side view with the left side view being a mirror image thereof;  
FIG. 5 is a top side view thereof; and,  
FIG. 6 is a bottom side view thereof.  
The dashed lines are intended to show boundary areas and form no part of the claimed design.

(56) **References Cited**  
U.S. PATENT DOCUMENTS

D292,469 S \* 10/1987 Nakagawa ..... D7/350.4  
D311,848 S \* 11/1990 Mikami ..... D7/350.2  
D314,687 S \* 2/1991 Kim ..... D7/350.2  
D334,504 S \* 4/1993 Edwards ..... D15/81  
5,237,140 A 8/1993 Akazawa et al.  
5,276,300 A 1/1994 Low et al.  
5,331,128 A 7/1994 Koh  
D352,866 S 11/1994 Kindley et al.

**1 Claim, 6 Drawing Sheets**



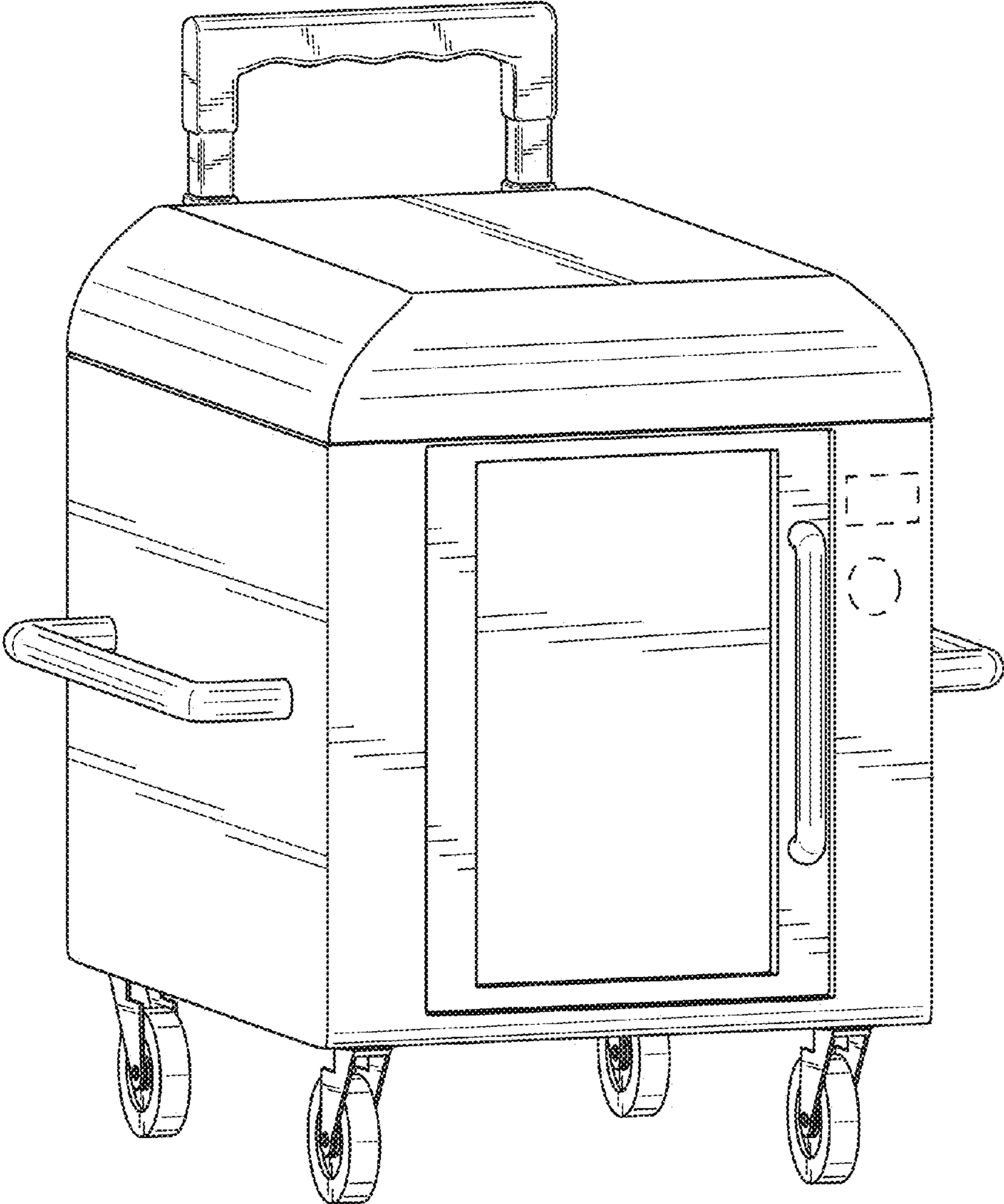


Fig. 1

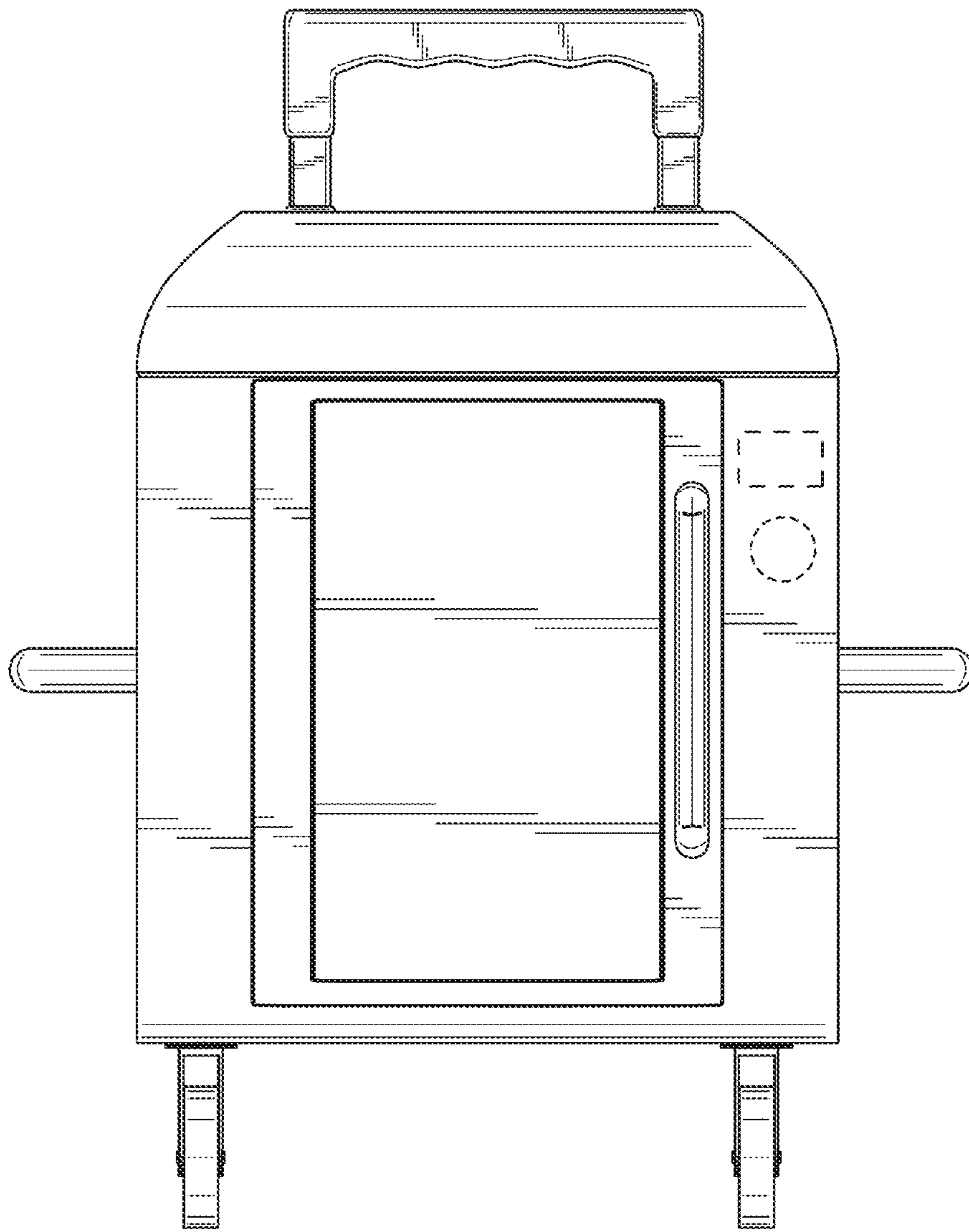


Fig. 2

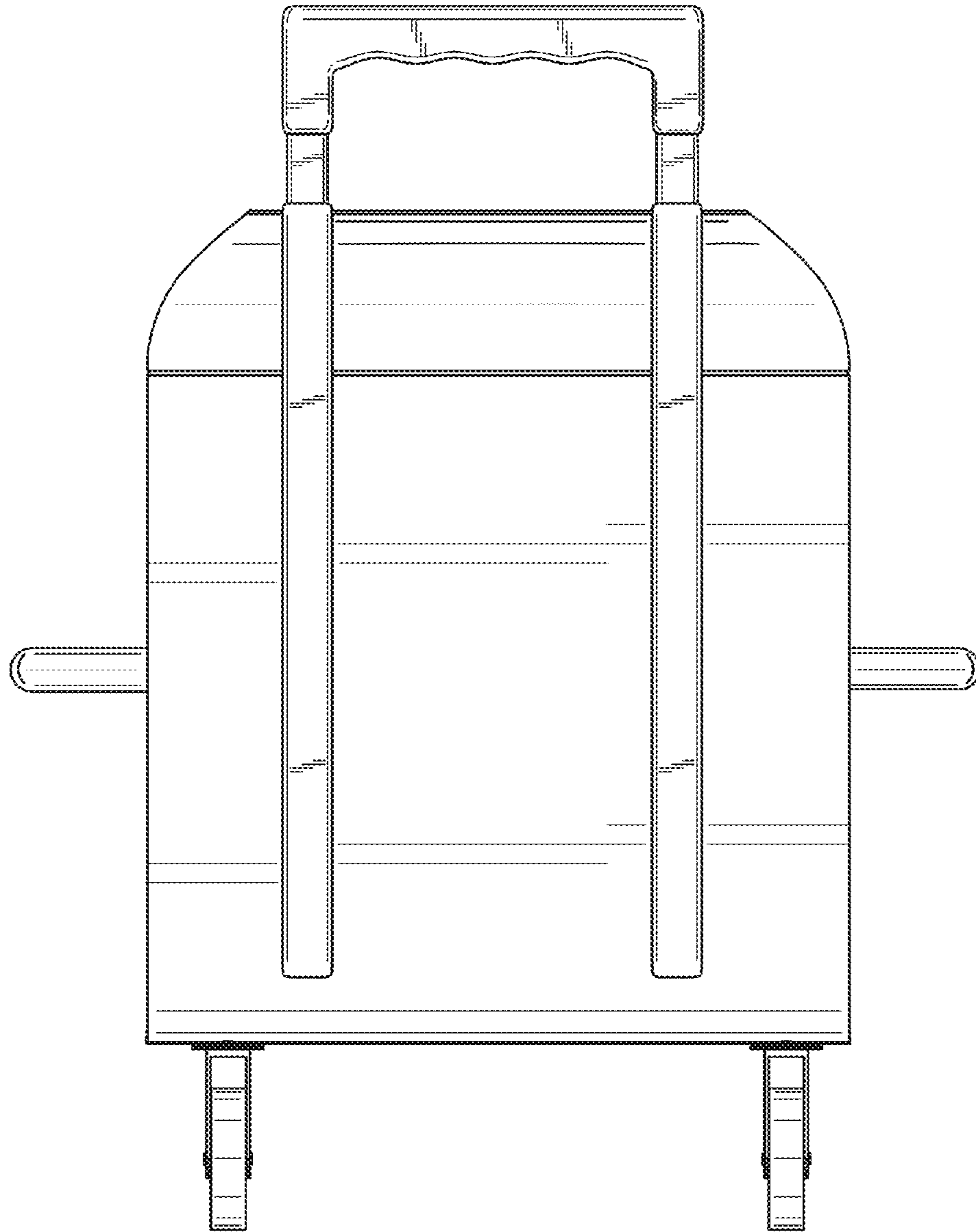


Fig. 3

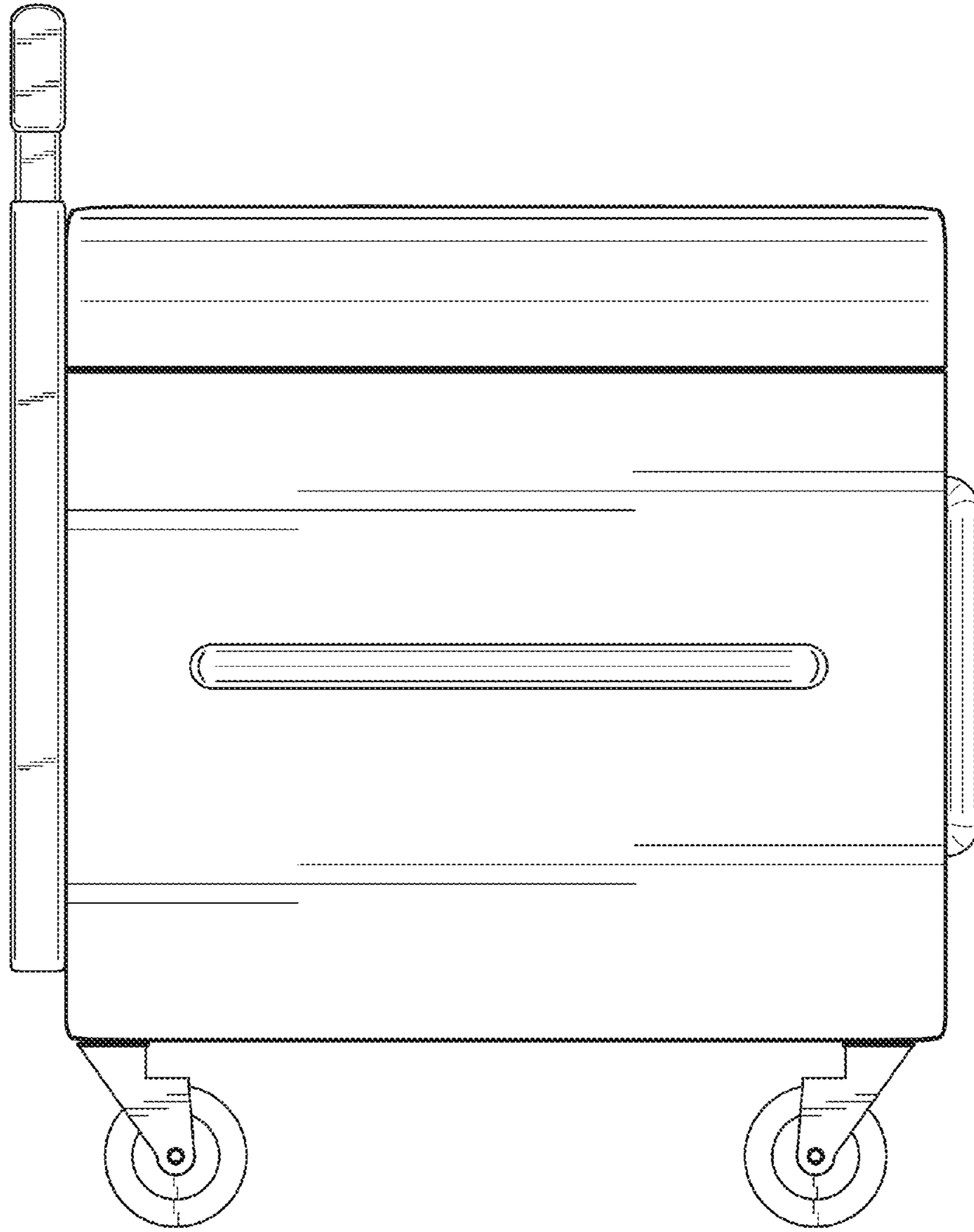


Fig. 4

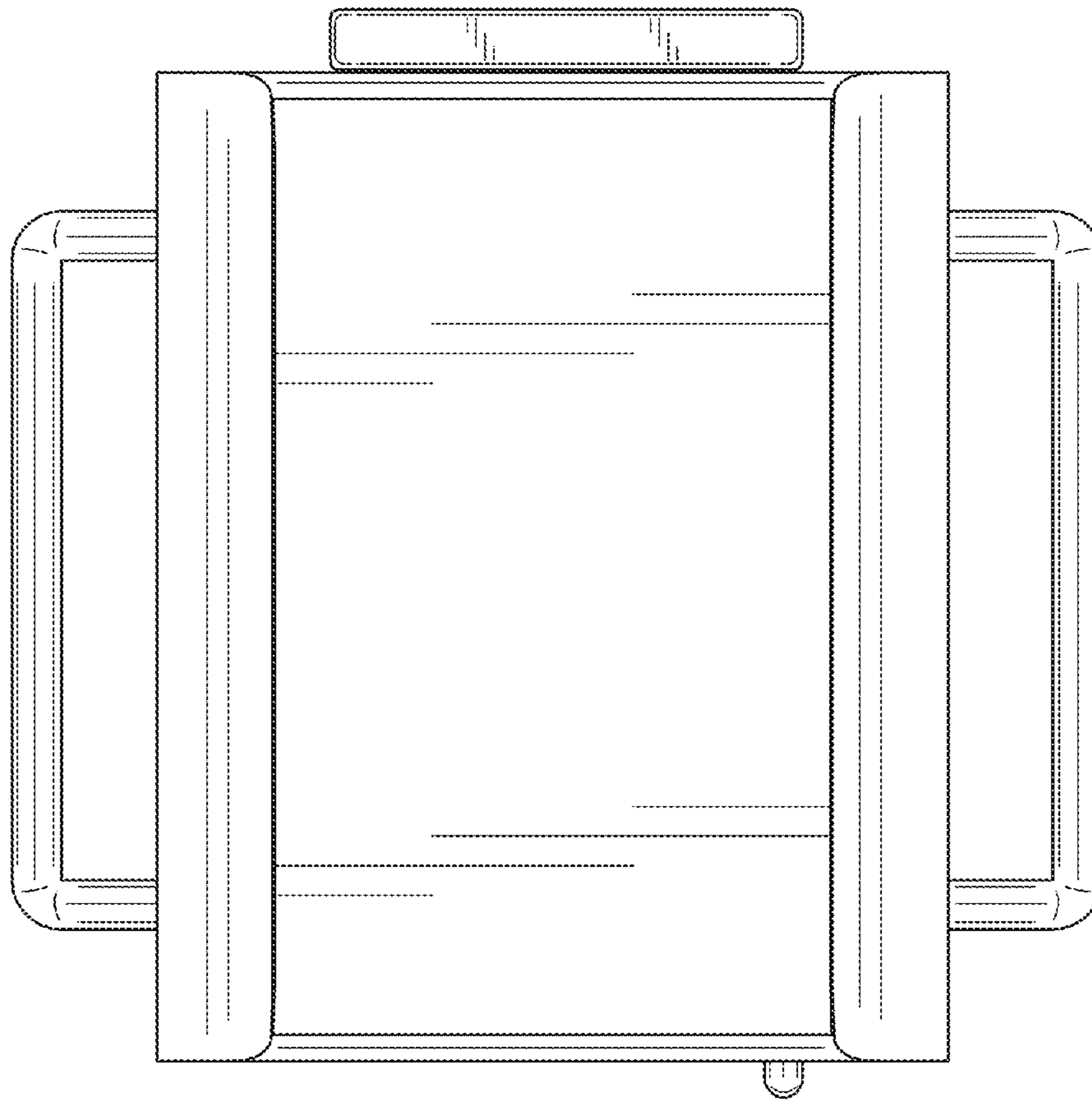


Fig. 5

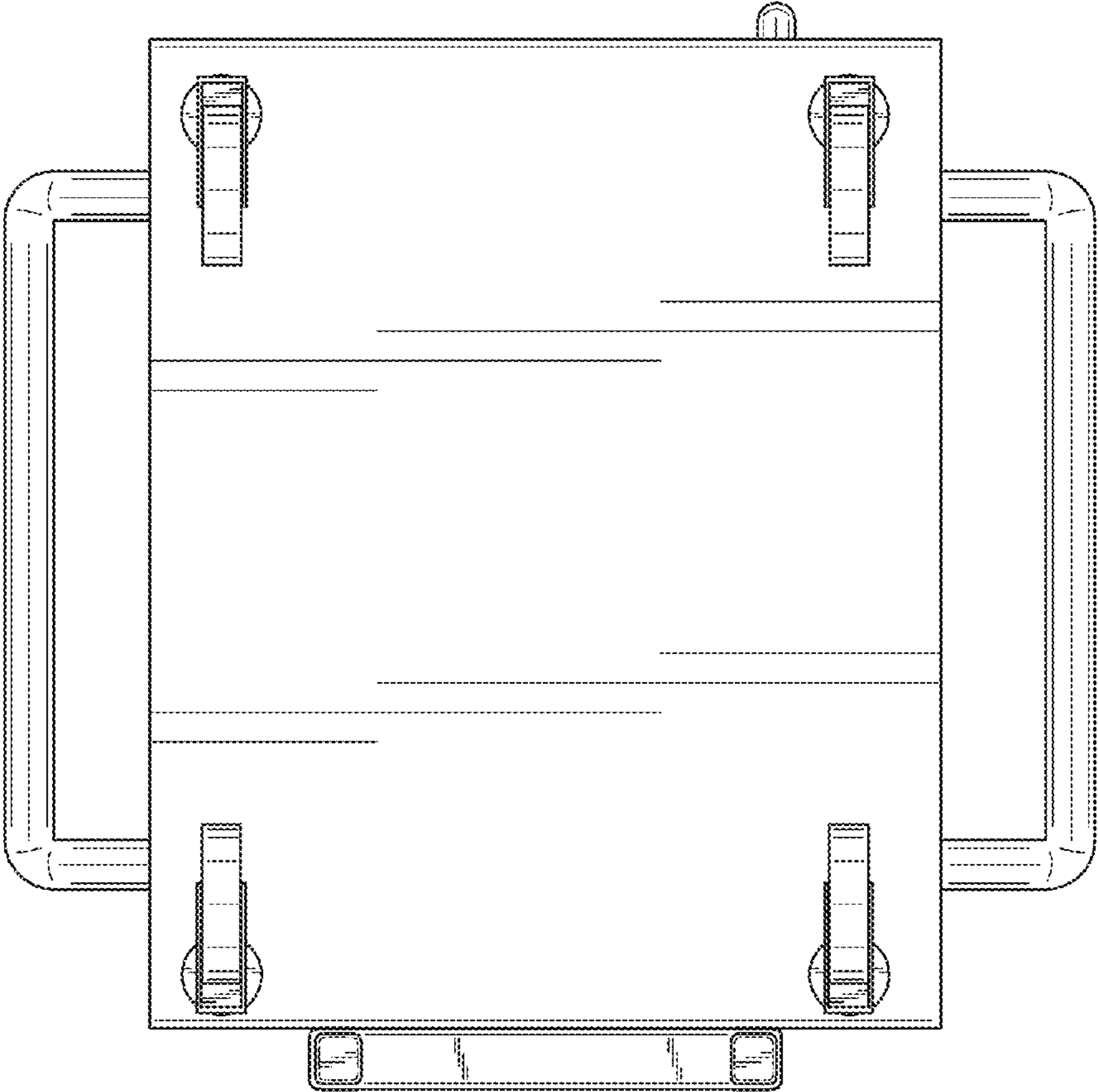


Fig. 6