



US00D759413S

(12) **United States Design Patent**
Lade

(10) **Patent No.:** **US D759,413 S**
(45) **Date of Patent:** **** Jun. 21, 2016**

(54) **FRAME OF CHAIR**

(71) Applicant: **Ekornes ASA**, Ikornnes (NO)

(72) Inventor: **Jan Lade**, Straumgjerde (NO)

(73) Assignee: **EKORNES ASA**, Ikornnes (NO)

(**) Term: **14 Years**

(21) Appl. No.: **29/523,940**

(22) Filed: **Apr. 15, 2015**

(30) **Foreign Application Priority Data**

Oct. 17, 2014 (NO) 20140910

(51) **LOC (10) Cl.** **06-01**

(52) **U.S. Cl.**
USPC **D6/716; D6/379**

(58) **Field of Classification Search**
USPC D6/334–336, 370, 375, 376, 379, 380,
D6/716, 716.1, 716.2, 716.3, 716.4, 717
CPC A47C 4/02; A47C 4/03; A47C 4/025;
A47C 4/06; A47C 7/021; A47C 7/16; A47C
7/54
See application file for complete search history.

(56) **References Cited**

U.S. PATENT DOCUMENTS

D393,158 S * 4/1998 Smith D6/375
D403,522 S * 1/1999 Wilson D6/379

D408,660 S * 4/1999 Donnelly D6/717
D415,623 S * 10/1999 Lin D6/370
D528,831 S * 9/2006 Rizzi D6/717
D539,060 S * 3/2007 Egger D6/379
D557,951 S * 12/2007 Egger D6/379
D629,224 S * 12/2010 Oliveros D6/375
D629,233 S * 12/2010 Slear D6/717
D690,980 S * 10/2013 Chen D6/717

* cited by examiner

Primary Examiner — Mimosa De

(74) *Attorney, Agent, or Firm* — Thomas Schneck

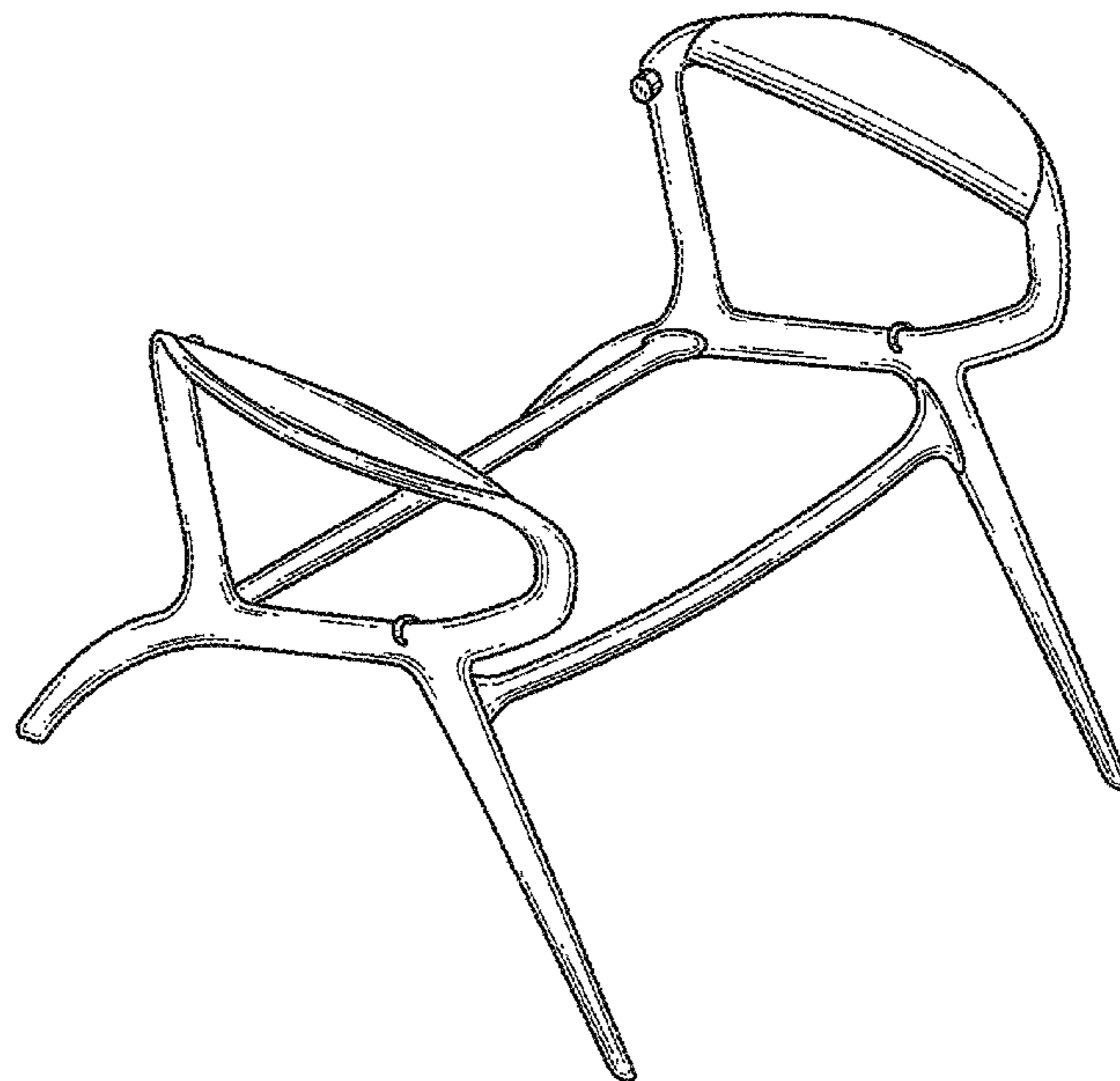
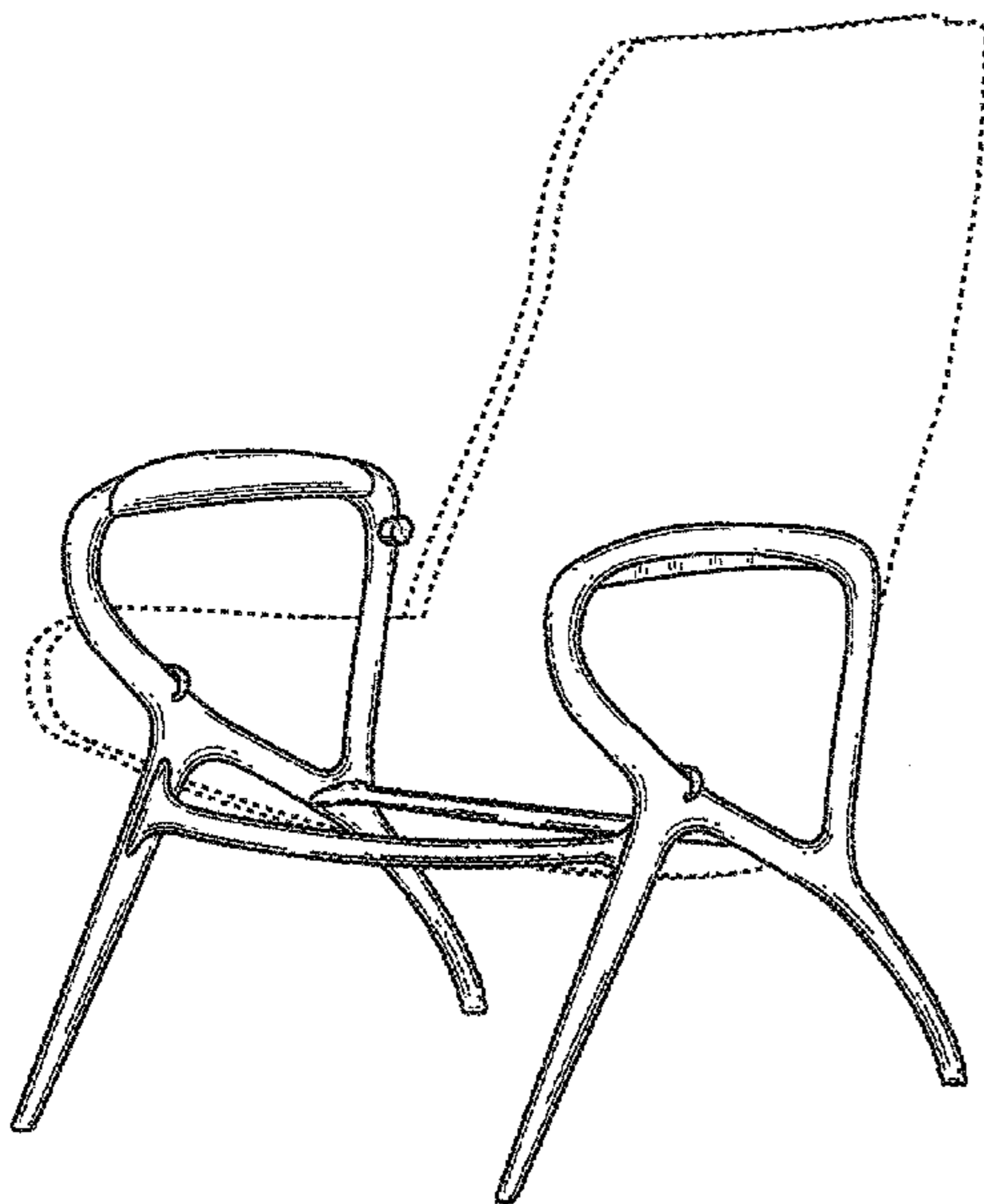
(57) **CLAIM**

I claim the ornamental design for a frame of chair, as shown and described.

DESCRIPTION

FIG. 1 is a perspective view of a frame of a chair of my design having broken lines wherein the claimed design is embodied and no part of the claimed design;
FIG. 2 is a perspective view of a frame of a chair shown without the circular knobs and without broken lines;
FIG. 3 is a front view thereof;
FIG. 4 is a back view thereof;
FIG. 5 is a right side view thereof;
FIG. 6 is a left side view thereof;
FIG. 7 is a top view thereof; and,
FIG. 8 is a bottom view thereof.

1 Claim, 4 Drawing Sheets



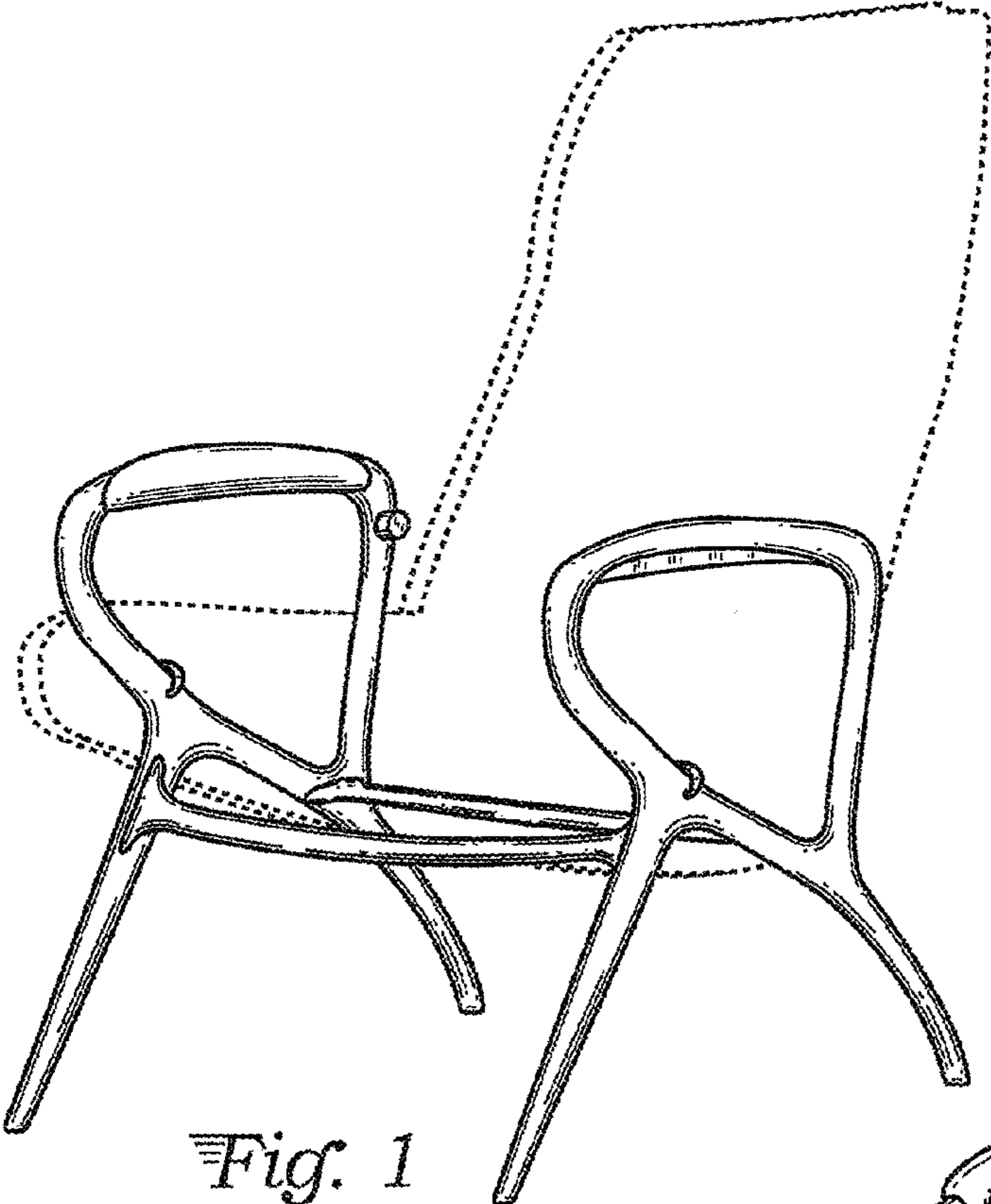


Fig. 1

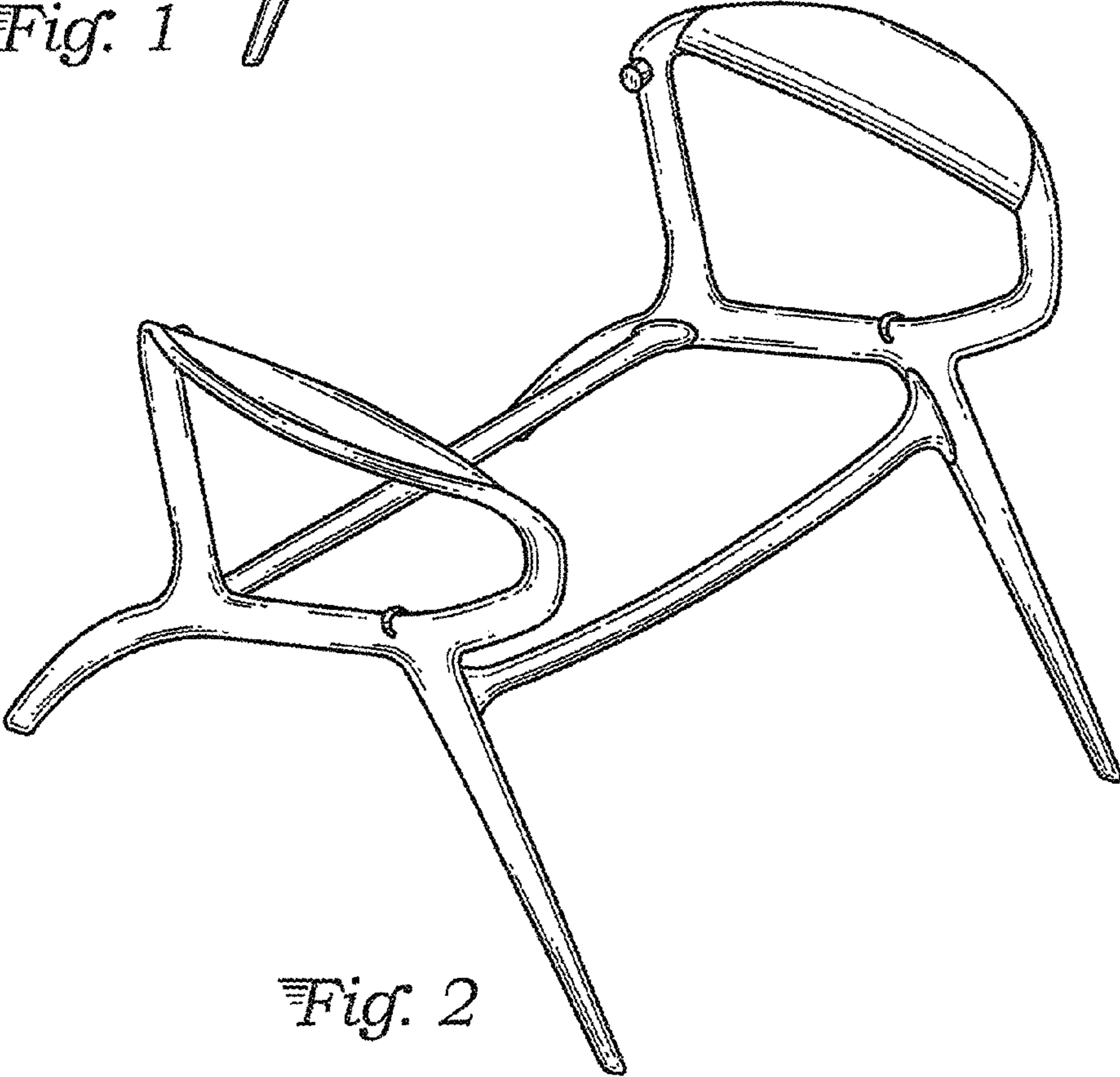


Fig. 2

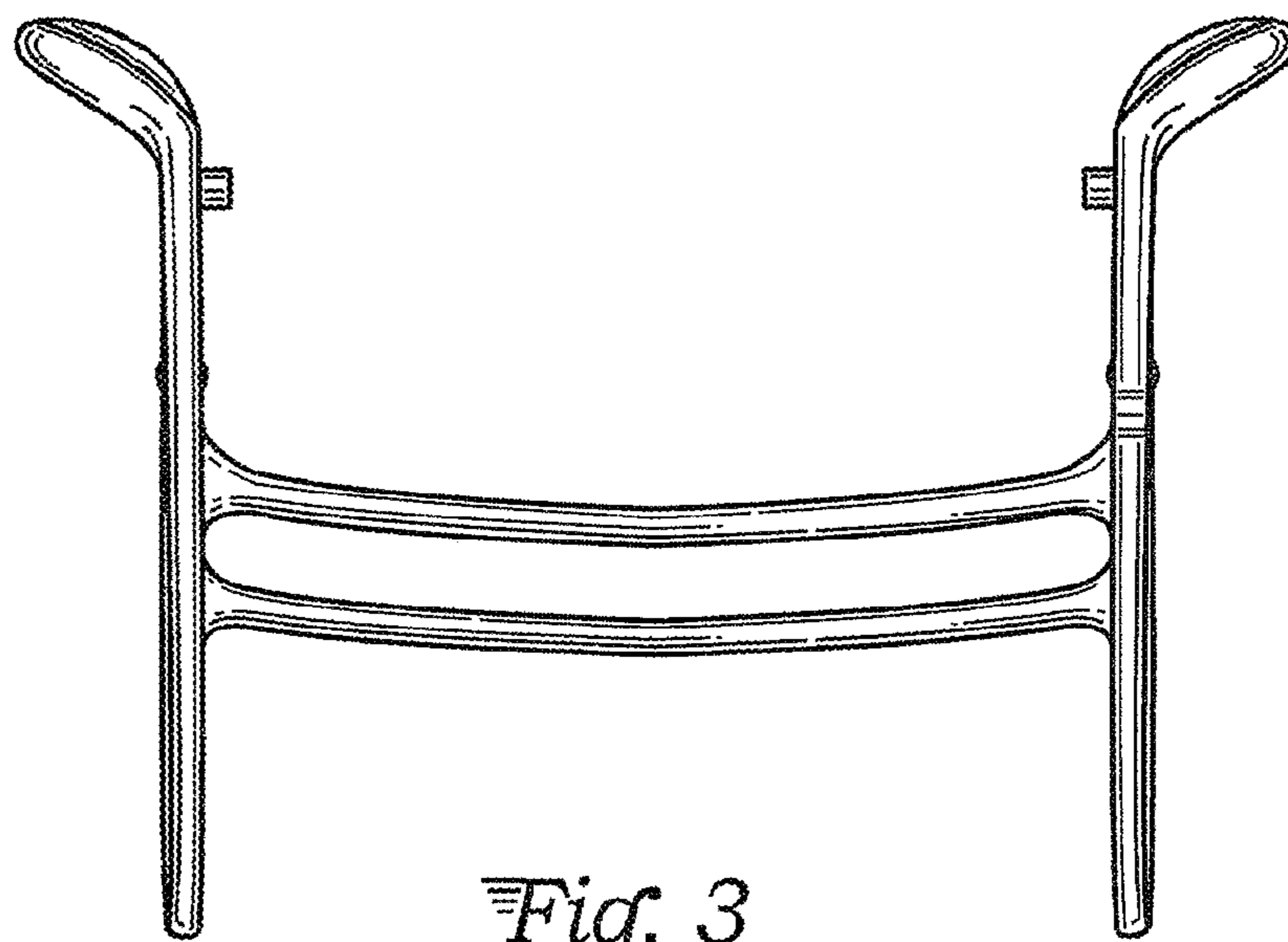


Fig. 3

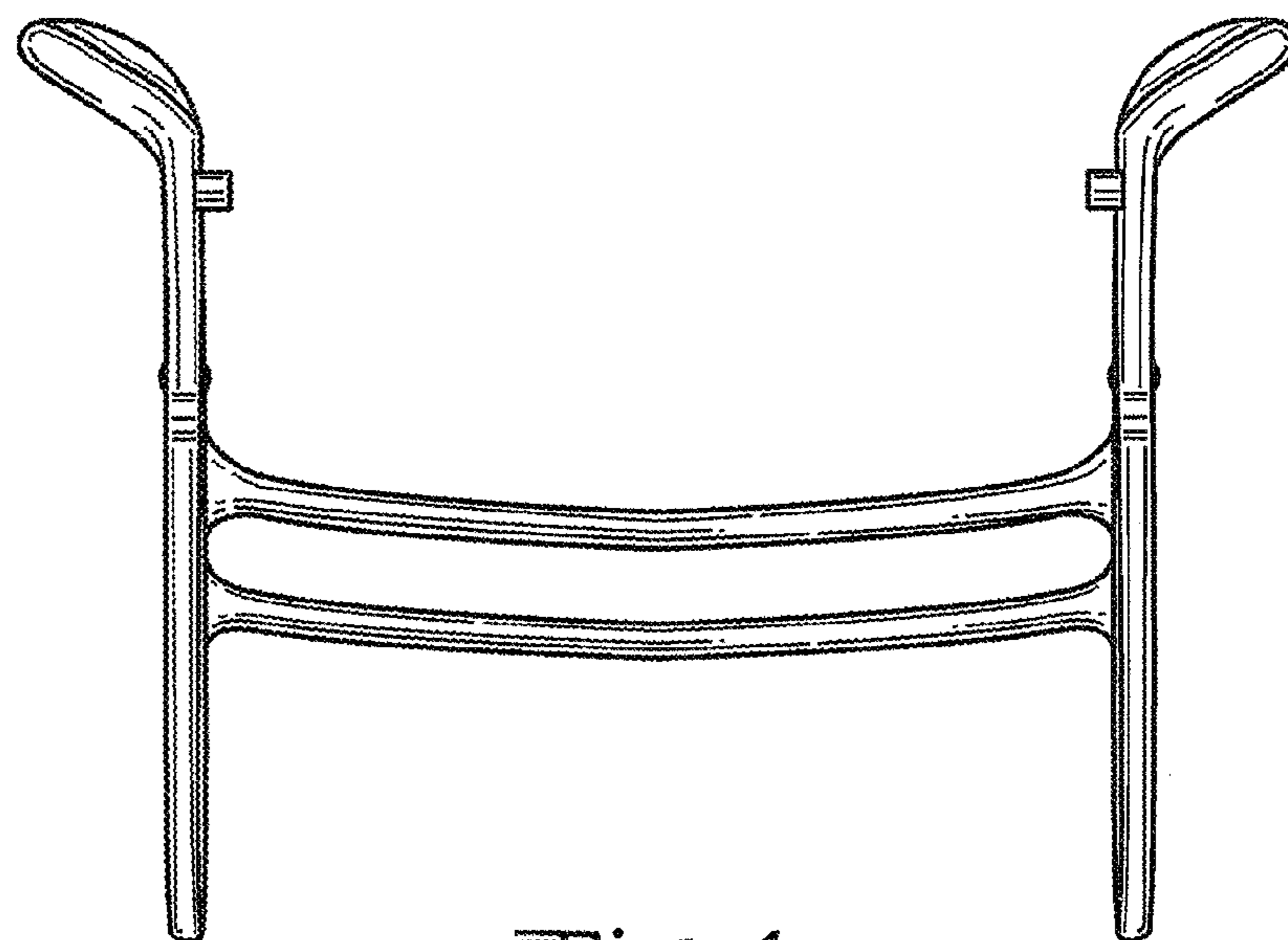


Fig. 4

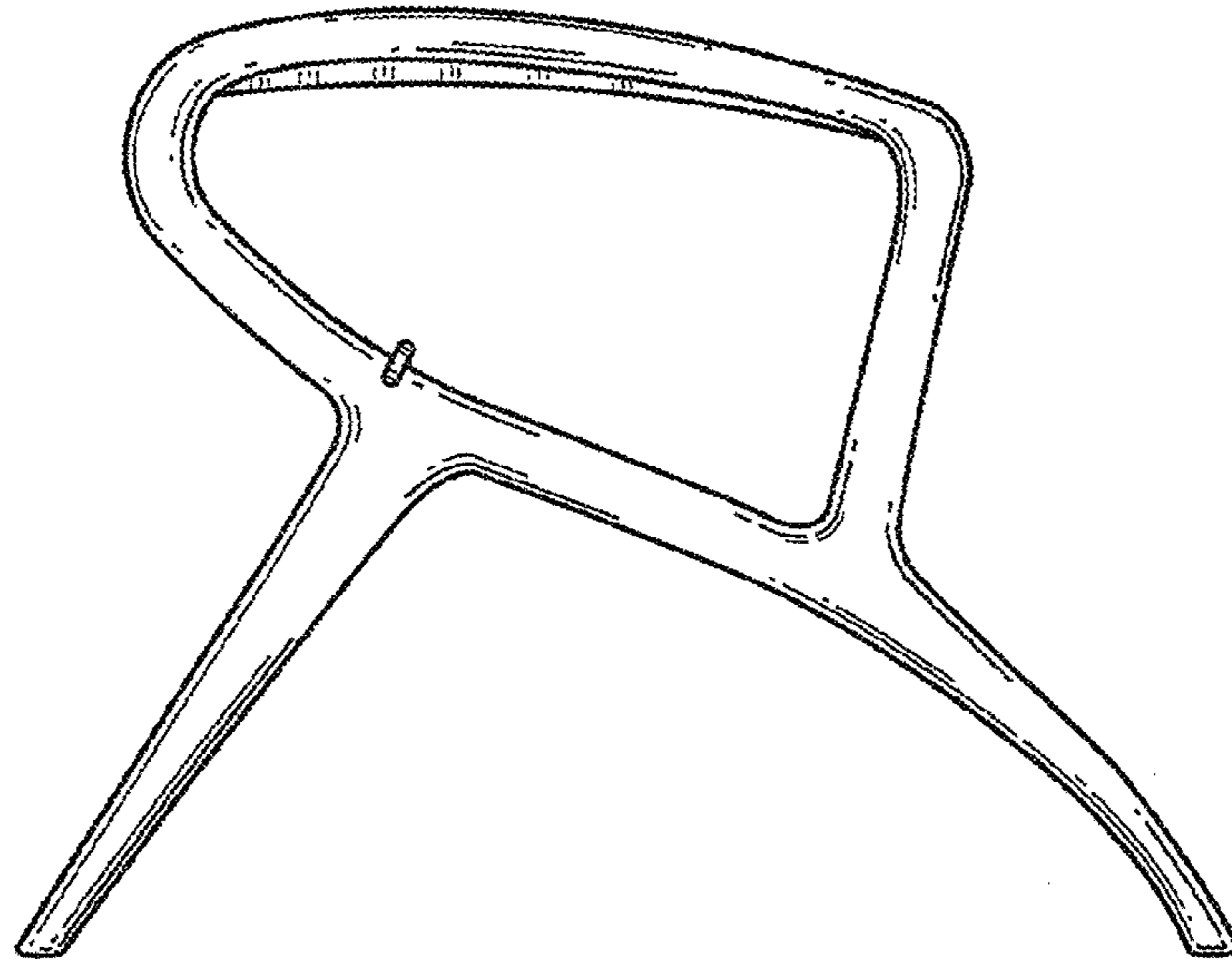


Fig. 5

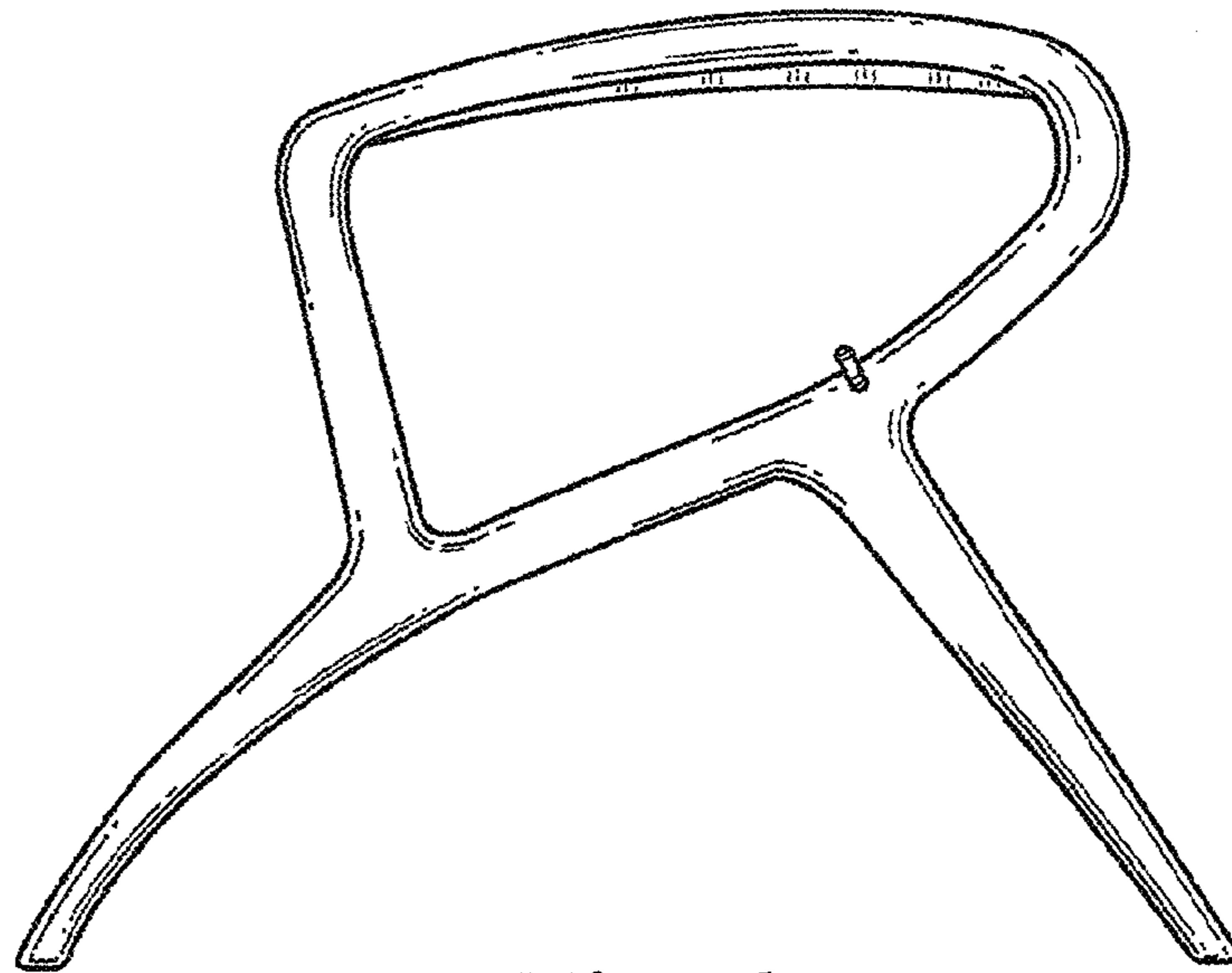


Fig. 6

