

US00D759411S

(12) **United States Design Patent**
Johnson et al.

(10) **Patent No.:** **US D759,411 S**

(45) **Date of Patent:** **** Jun. 21, 2016**

(54) **TABLE TOP**

(71) Applicant: **LIFETIME PRODUCTS, INC.,**
Clearfield, UT (US)

(72) Inventors: **Mitch Johnson**, South Weber, UT (US);
Frank Clegg, Fruit Heights, UT (US);
Wendell Peery, Kaysville, UT (US)

(73) Assignee: **LIFETIME PRODUCTS, INC.,**
Clearfield, UT (US)

(**) Term: **15 Years**

(21) Appl. No.: **29/540,945**

(22) Filed: **Sep. 29, 2015**

Related U.S. Application Data

(63) Continuation of application No. 29/460,286, filed on Jul. 9, 2013, now Pat. No. Des. 739,673.

(51) **LOC (10) Cl.** **06-06**

(52) **U.S. Cl.**
USPC **D6/707.24**

(58) **Field of Classification Search**
USPC D6/691, 691.6, 707, 707.17, 707.19,
D6/707.24; 108/115, 129, 132, 159.12;
D20/22-28, 99; D18/24, 30; 40/1.5,
40/299.01

See application file for complete search history.

(56) **References Cited**

U.S. PATENT DOCUMENTS

| | | |
|------------|---------|-----------------|
| D489,206 S | 5/2004 | Strong |
| D498,622 S | 11/2004 | Neunzert |
| D500,807 S | 1/2005 | Noell et al. |
| D575,083 S | 8/2008 | Lin |
| D625,758 S | 10/2010 | Brown et al. |
| D643,069 S | 8/2011 | Mallozzi et al. |

| | | |
|-----------------|---------|-------------------------|
| 8,091,490 B2 | 1/2012 | Branch et al. |
| D688,496 S | 8/2013 | Bennett |
| 8,757,069 B2 | 6/2014 | Peery et al. |
| D715,081 S | 10/2014 | Bennett |
| 8,857,349 B2 | 10/2014 | Peery et al. |
| D733,475 S * | 7/2015 | Johnson D6/707.24 |
| D739,673 S | 9/2015 | Johnson et al. |
| 2002/0152650 A1 | 10/2002 | Reeves |
| 2006/0196395 A1 | 9/2006 | Lin et al. |
| 2011/0047838 A1 | 3/2011 | Peterson et al. |
| 2013/0133380 A1 | 5/2013 | Will |

OTHER PUBLICATIONS

U.S. Appl. No. 29/460,286, filed Jul. 9, 2013, Johnson, et al.
 U.S. Appl. No. 29/460,287, filed Jul. 9, 2013, Johnson, et al.
 U.S. Appl. No. 29/460,289, filed Jul. 9, 2013, Johnson, et al.
 U.S. Appl. No. 29/460,290, filed Jul. 9, 2013, Johnson, et al.
 U.S. Appl. No. 29/455,544, filed May 21, 2013, Johnson, et al.
 U.S. Appl. No. 29/521,674, filed Mar. 25, 2015, Johnson, et al.
 U.S. Appl. No. 29/521,677, filed Mar. 25, 2015, Johnson, et al.
 U.S. Appl. No. 29/522,551, filed Mar. 31, 2015, Johnson, et al.

(Continued)

Primary Examiner — Janice Seeger

(74) *Attorney, Agent, or Firm* — Maschoff Brennan

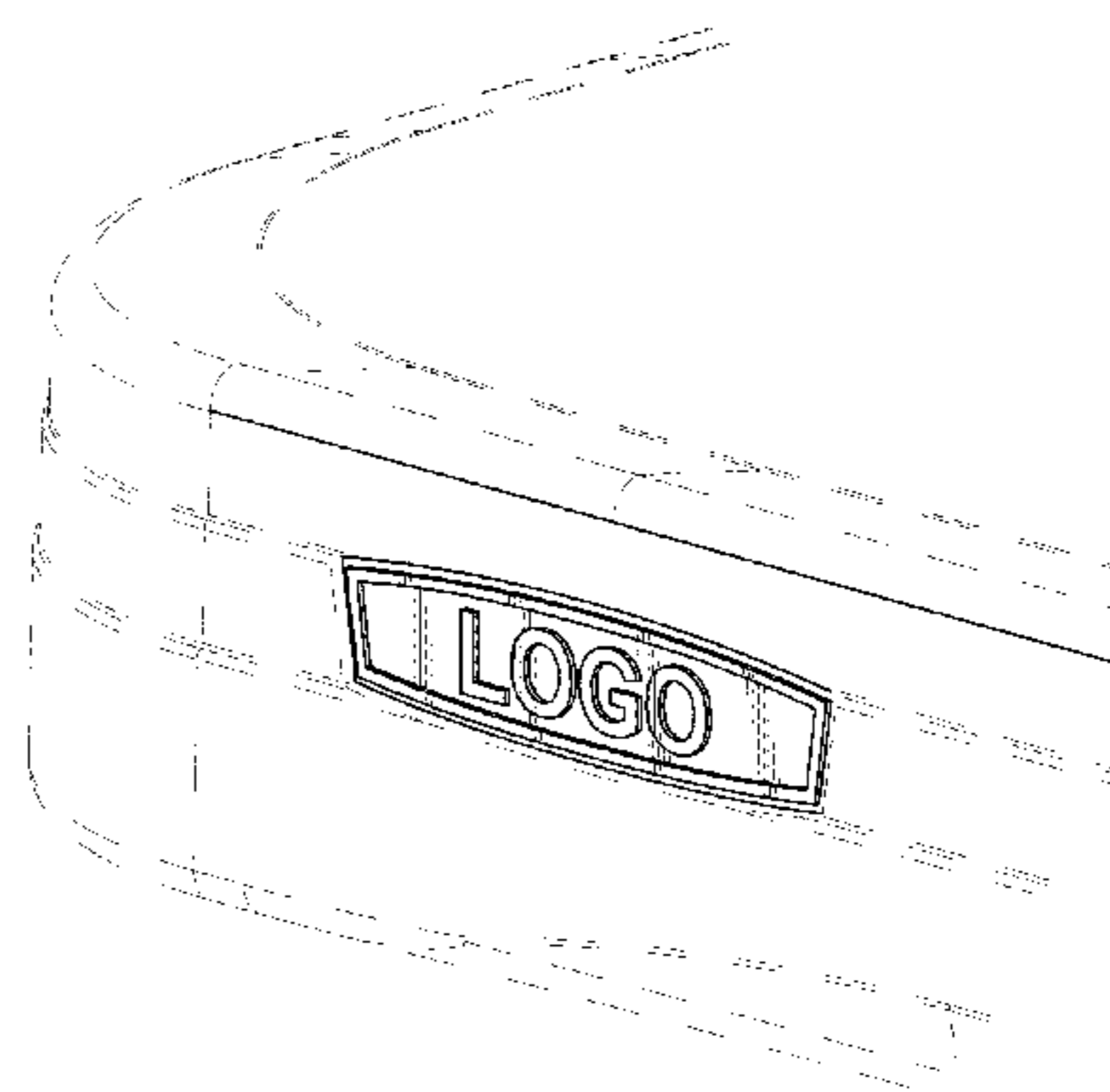
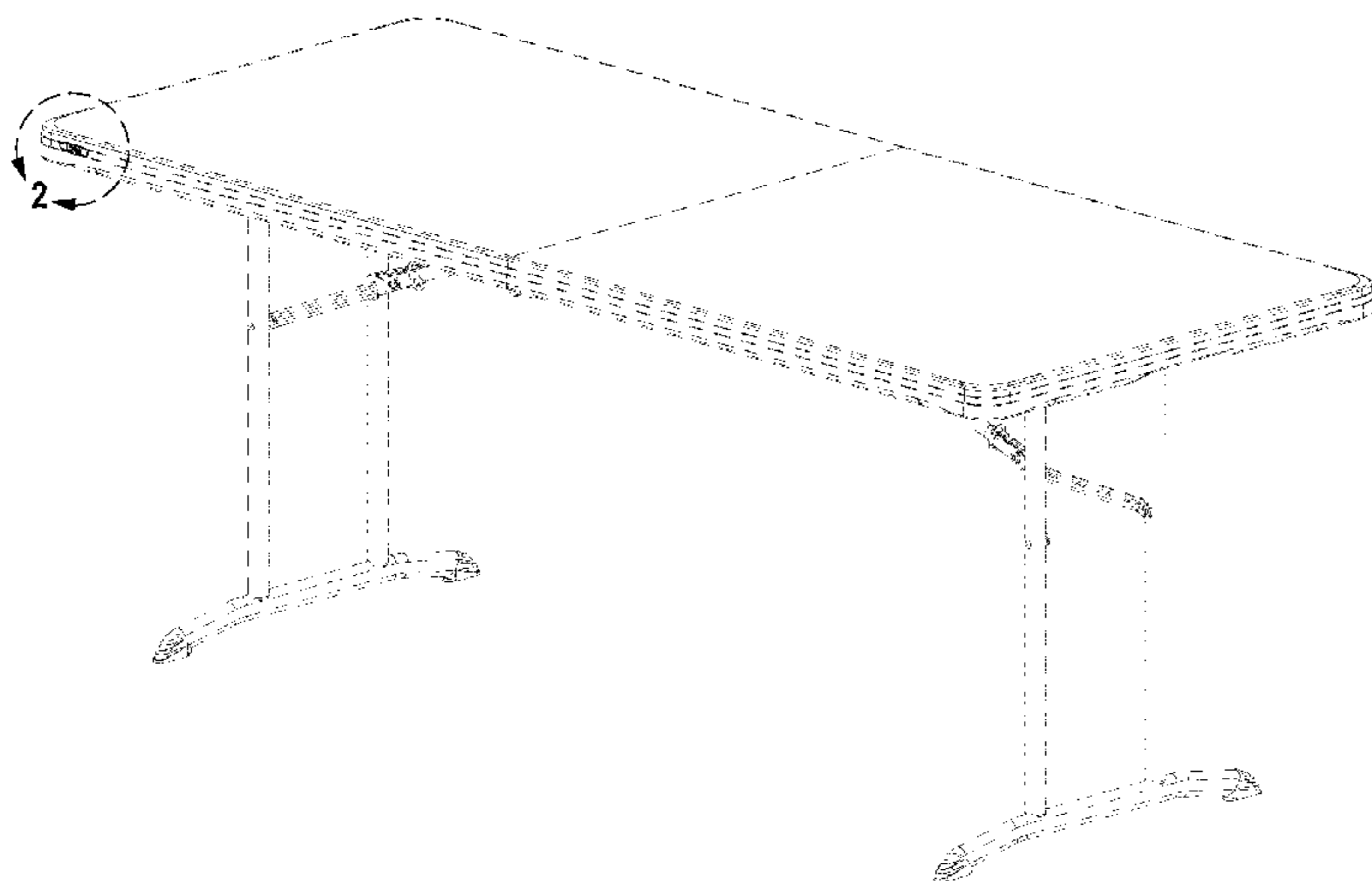
(57) **CLAIM**

The ornamental design for a table top, as shown and described.

DESCRIPTION

FIG. 1 is a upper perspective view of a table top;
 FIG. 2 is an enlarged perspective view of a portion of the table top, as illustrated by line 2 in FIG. 1;
 FIG. 3 is a front view of the table top; and,
 FIG. 4 is an enlarged front view of the table top, as illustrated by line 4 in FIG. 3.
 The broken lines shown in the figures are for illustrative purposes only and form no part of the claimed design.

1 Claim, 4 Drawing Sheets



(56)

References Cited

OTHER PUBLICATIONS

Notice of Allowance from U.S. Appl. No. 29/460,287 dated Mar. 18, 2015.

Notice of Allowance from U.S. Appl. No. 29/455,544 dated Mar. 16, 2015.

Office Action from U.S. Appl. No. 29/460,289 dated Mar. 17, 2015.

Office Action from U.S. Appl. No. 29/460,286 dated Mar. 16, 2015.

Office Action from U.S. Appl. No. 29/460,290 dated Dec. 24, 2014.

Office Action from U.S. Appl. No. 29/460,287 dated Dec. 24, 2014.

Office Action from U.S. Appl. No. 29/460,286 dated Dec. 23, 2014.

Office Action from U.S. Appl. No. 29/455,544 dated Dec. 24, 2014.

Office Action from U.S. Appl. No. 29/460,289 dated Dec. 19, 2014.

* cited by examiner

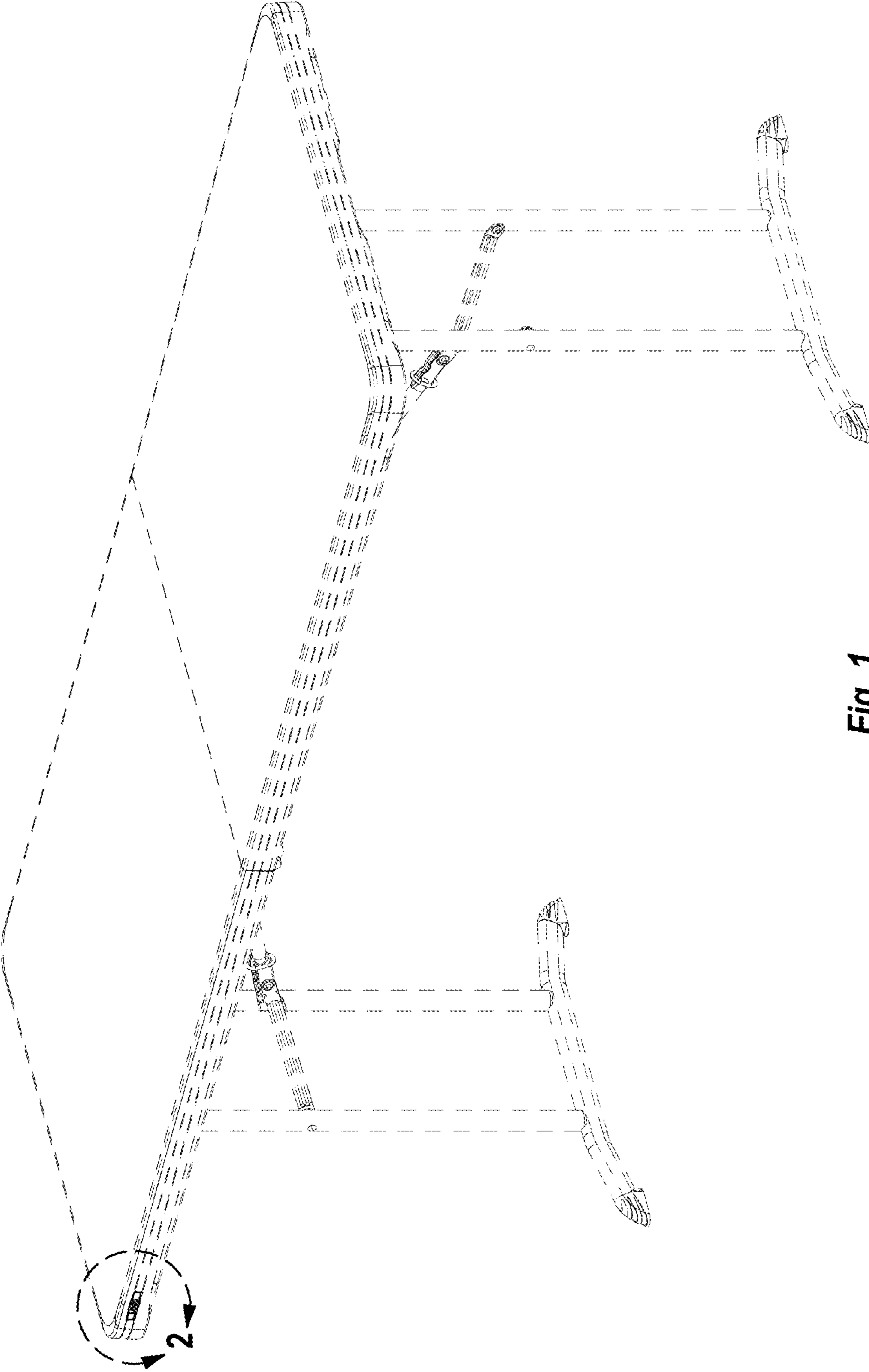


Fig. 1

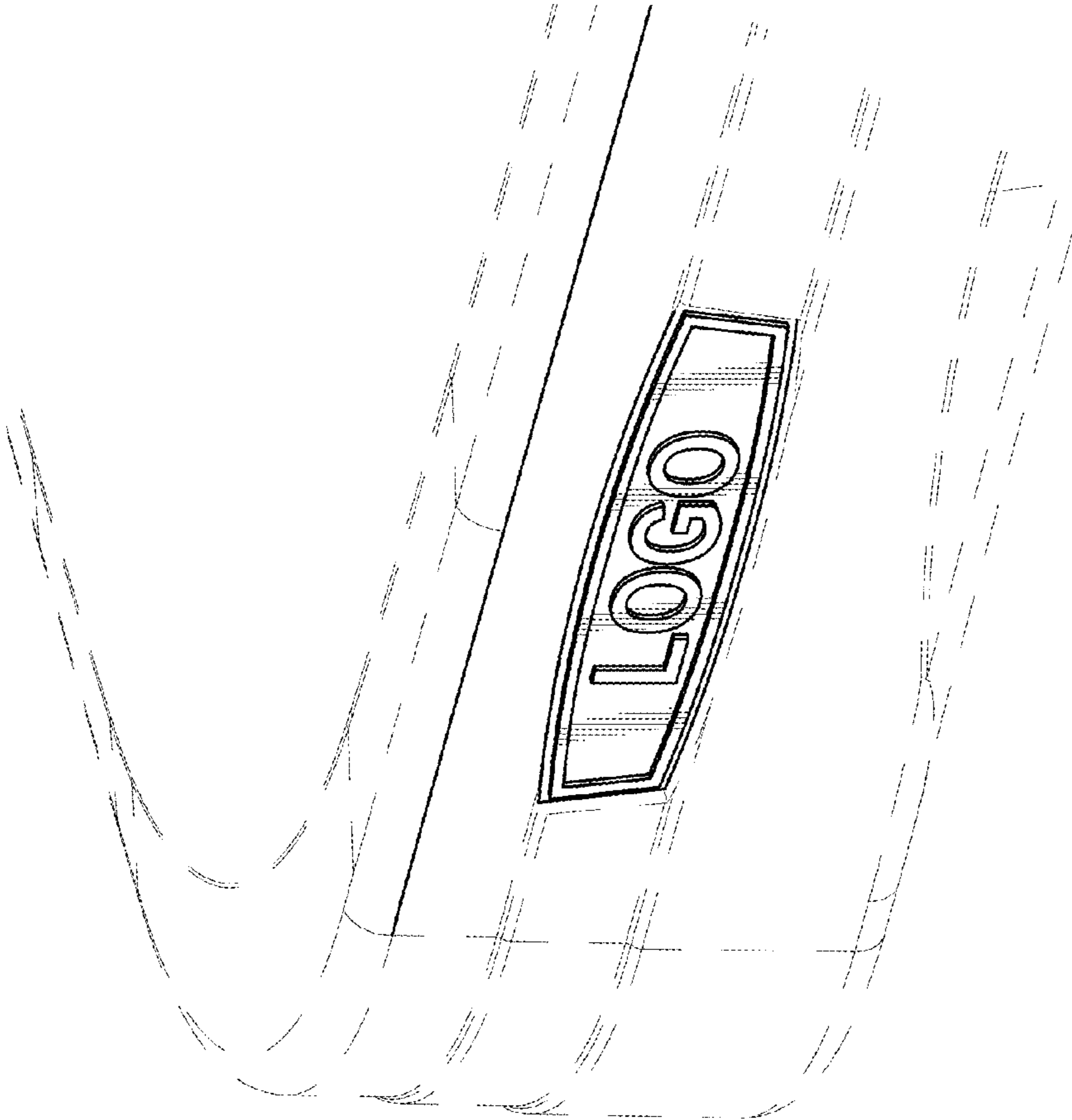


Fig. 2

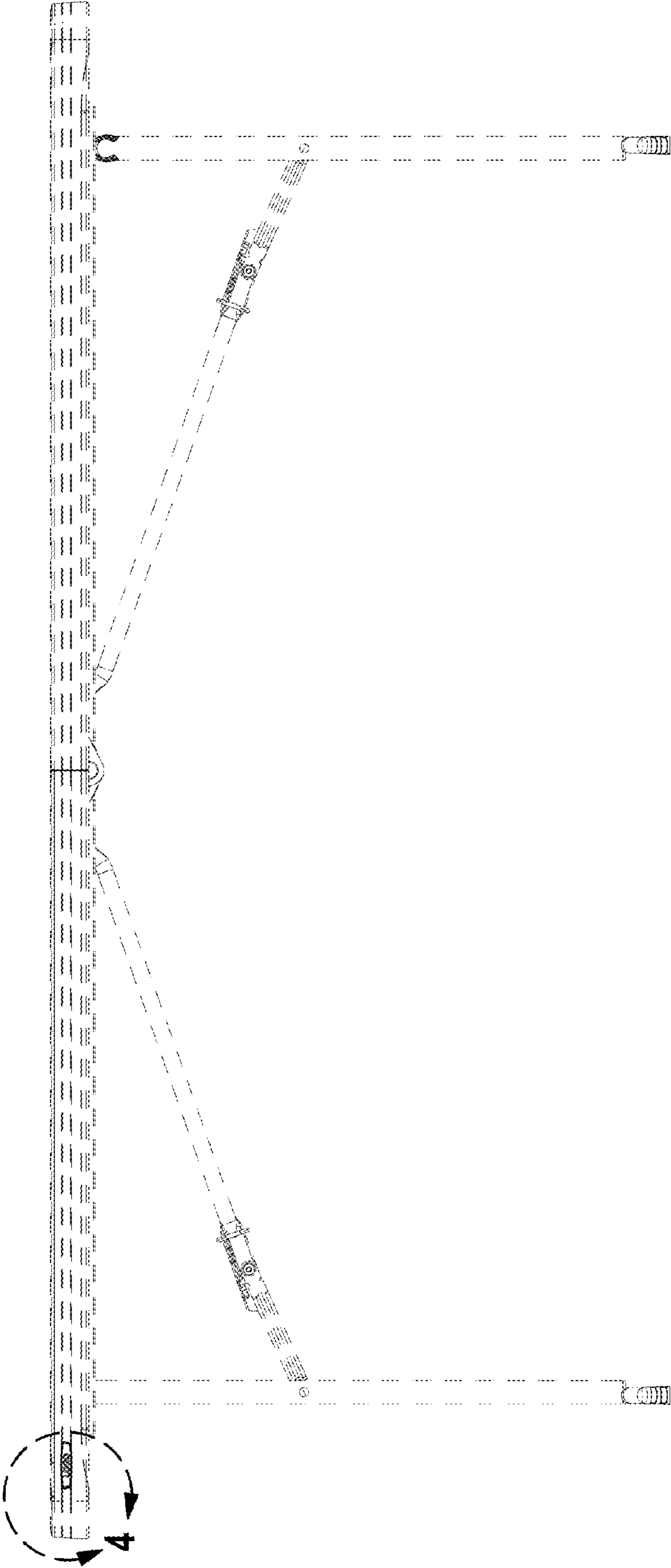


Fig. 3

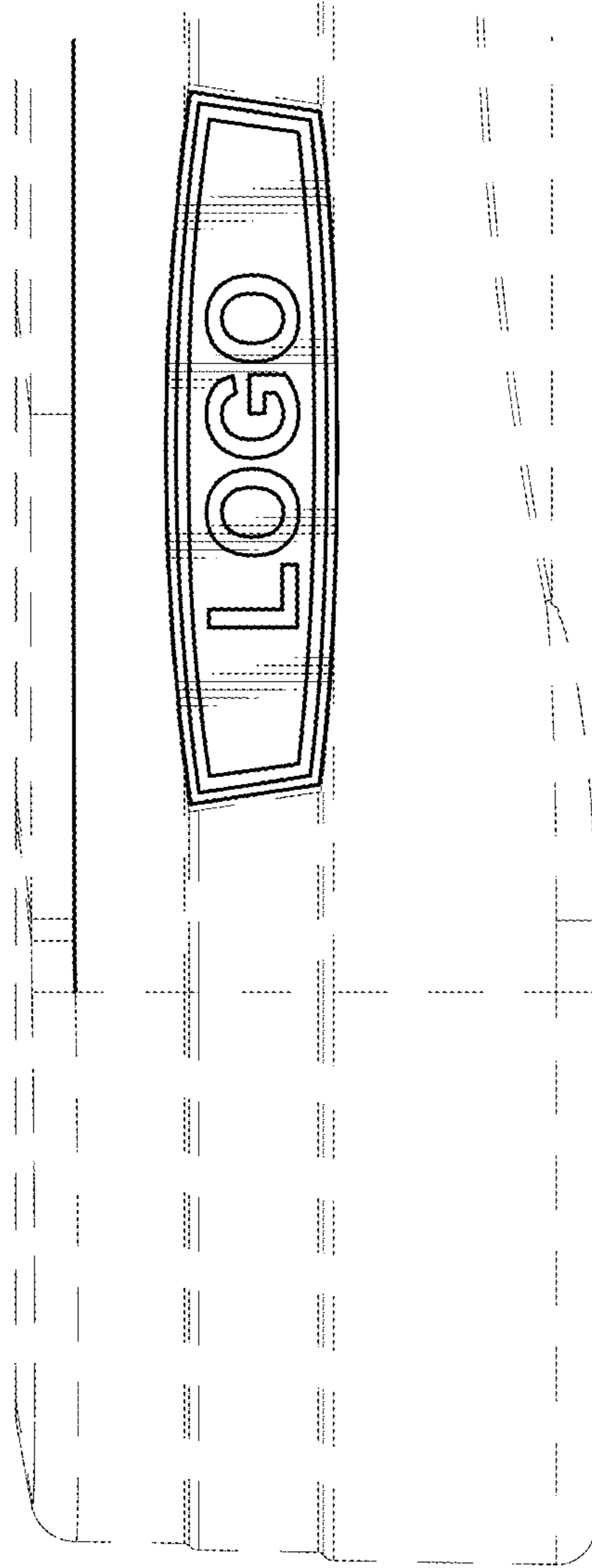


Fig. 4