



US00D759410S

(12) **United States Design Patent**  
**Schmitt**

(10) **Patent No.:** **US D759,410 S**  
(45) **Date of Patent:** **\*\* Jun. 21, 2016**

- (54) **COCKTAIL TABLE**
- (71) Applicant: **Jack Schmitt**, Mission Viejo, CA (US)
- (72) Inventor: **Jack Schmitt**, Mission Viejo, CA (US)
- (73) Assignee: **Amini Innovation Corporation**, Pico Rivera, CA (US)
- (\*\*) Term: **14 Years**
- (21) Appl. No.: **29/494,003**
- (22) Filed: **Jun. 16, 2014**
- (51) **LOC (10) Cl.** ..... **06-03**
- (52) **U.S. Cl.**  
USPC ..... **D6/688.2; D6/688.11**
- (58) **Field of Classification Search**  
USPC ..... D6/692, 692.2, 692.1, 688.11, 688.19,  
D6/688.2, 688.21, 688.22, 688.23  
CPC ..... A47B 13/00; A47B 13/02; A47B 13/06;  
A47B 13/021; A47B 2200/0011; A47B  
2200/0016; A47B 7/00  
See application file for complete search history.

- D386,021 S 11/1997 Pratt
- D388,980 S 1/1998 Mohundro
- D393,964 S 5/1998 Bergelin
- D403,900 S 1/1999 Hutton
- D412,632 S 8/1999 Walters, III et al.
- D423,255 S 4/2000 O'Hare
- D425,733 S 5/2000 O'Hare
- D431,131 S 9/2000 Wistehuff, Sr.
- D434,583 S 12/2000 Hutton
- D438,032 S 2/2001 Cain
- D445,607 S 7/2001 O'Hare et al.
- D448,213 S 9/2001 O'Hare et al.
- D448,951 S 10/2001 O'Hare et al.
- D448,952 S 10/2001 O'Hare et al.
- D449,186 S 10/2001 O'Hare et al.
- D450,490 S \* 11/2001 O'Hare ..... D6/688.2
- D455,299 S 4/2002 Vaaler
- D455,579 S 4/2002 Vaaler

(Continued)

**OTHER PUBLICATIONS**

Ethan Allen Circular, Legacy Collection Dining Table, p. 5, 1996.

(Continued)

*Primary Examiner* — Janice Seeger

(74) *Attorney, Agent, or Firm* — Cislo & Thomas, LLP

(56) **References Cited**  
U.S. PATENT DOCUMENTS

- D34,386 S 4/1924 Arons
- D78,457 S 5/1929 Ekvall
- D79,651 S 10/1929 Gommesen
- D161,212 S 12/1950 Scalera
- D179,301 S 11/1956 Jones et al.
- D182,911 S 5/1958 Lubberts et al.
- 4,878,439 A 11/1989 Samson
- D323,086 S 1/1992 Arcese et al.
- D328,990 S 9/1992 Kwiescinski
- D344,421 S 2/1994 Keller
- D346,713 S 5/1994 Ferguson
- D350,446 S 9/1994 Sauvage
- D375,217 S 11/1996 Rehmert
- D375,853 S 11/1996 Lee
- D380,315 S 7/1997 Bergelin

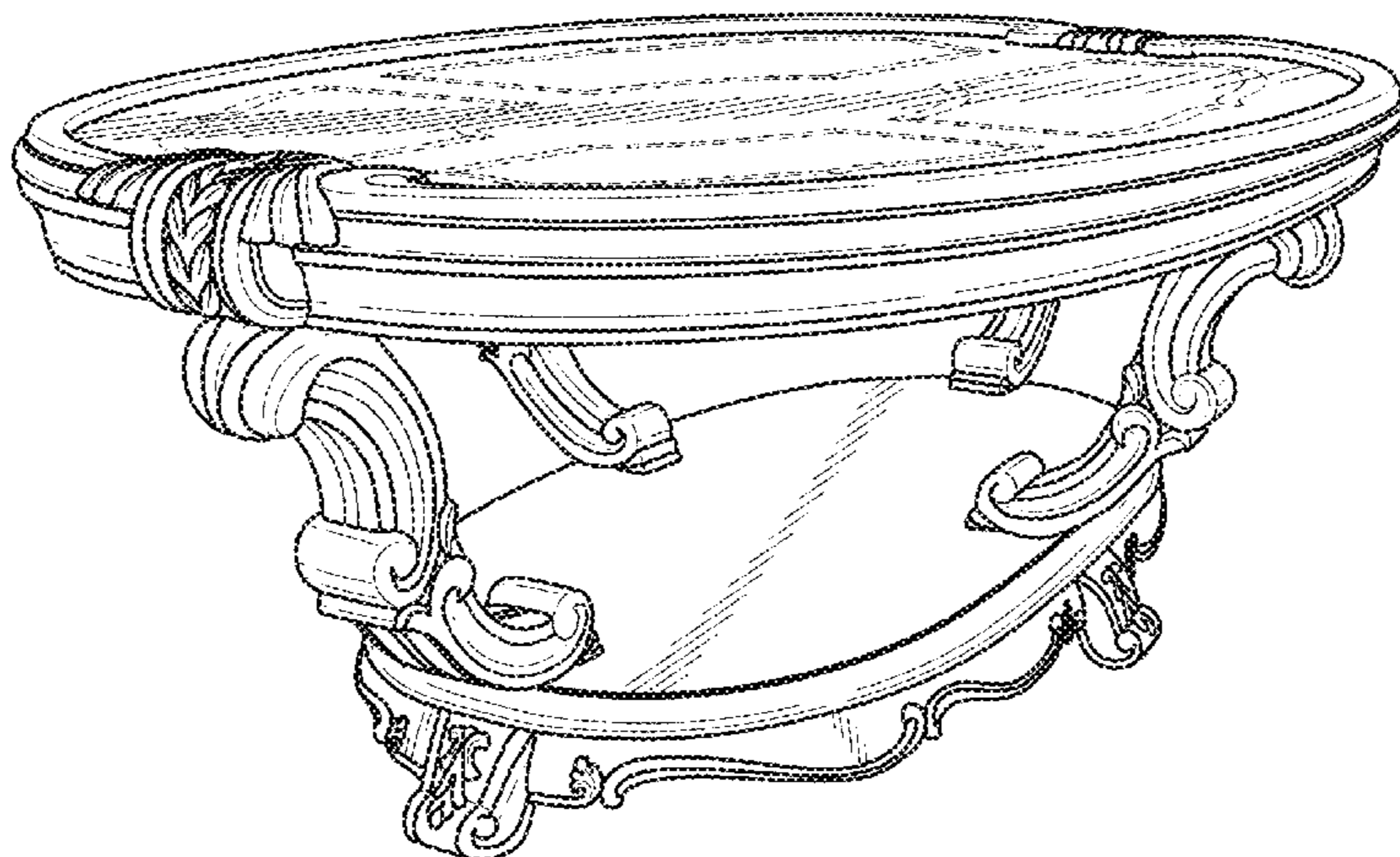
(57) **CLAIM**

I claim the ornamental design for a cocktail table, as shown and described.

**DESCRIPTION**

FIG. 1 is a perspective view of my cocktail table;  
FIG. 2 is a top view thereof; and  
FIG. 3 is a front view, the rear view (not shown) is a mirror image thereof; and,  
FIG. 4 is a right side view of my cocktail table, the left side (not shown) is a mirror image thereof.  
The broken lines are for environmental purposes only and form no part of the claimed design.

**1 Claim, 3 Drawing Sheets**



(56)

**References Cited**

U.S. PATENT DOCUMENTS

6,363,866 B1 4/2002 Schwartz  
D457,357 S 5/2002 Vaaler  
D457,759 S 5/2002 O'Hare et al.  
D458,055 S 6/2002 Vaaler  
D460,881 S 7/2002 Stanton  
D462,855 S 9/2002 McDaniel et al.  
D464,828 S 10/2002 Vaaler  
D470,342 S 2/2003 Vaaler  
D473,077 S 4/2003 Berry, Jr. et al.  
D474,048 S 5/2003 Stanton  
D478,747 S 8/2003 Warren et al.  
D486,014 S 2/2004 Schmitt  
D486,327 S 2/2004 Schmitt  
D502,342 S 3/2005 O'Hare  
D512,856 S 12/2005 Peterson et al.  
D531,430 S 11/2006 Domack et al.  
D531,432 S 11/2006 Domack et al.  
D531,838 S 11/2006 Domack et al.  
D540,069 S 4/2007 Schmitt  
D544,728 S 6/2007 Schmitt  
D548,492 S 8/2007 Domack et al.

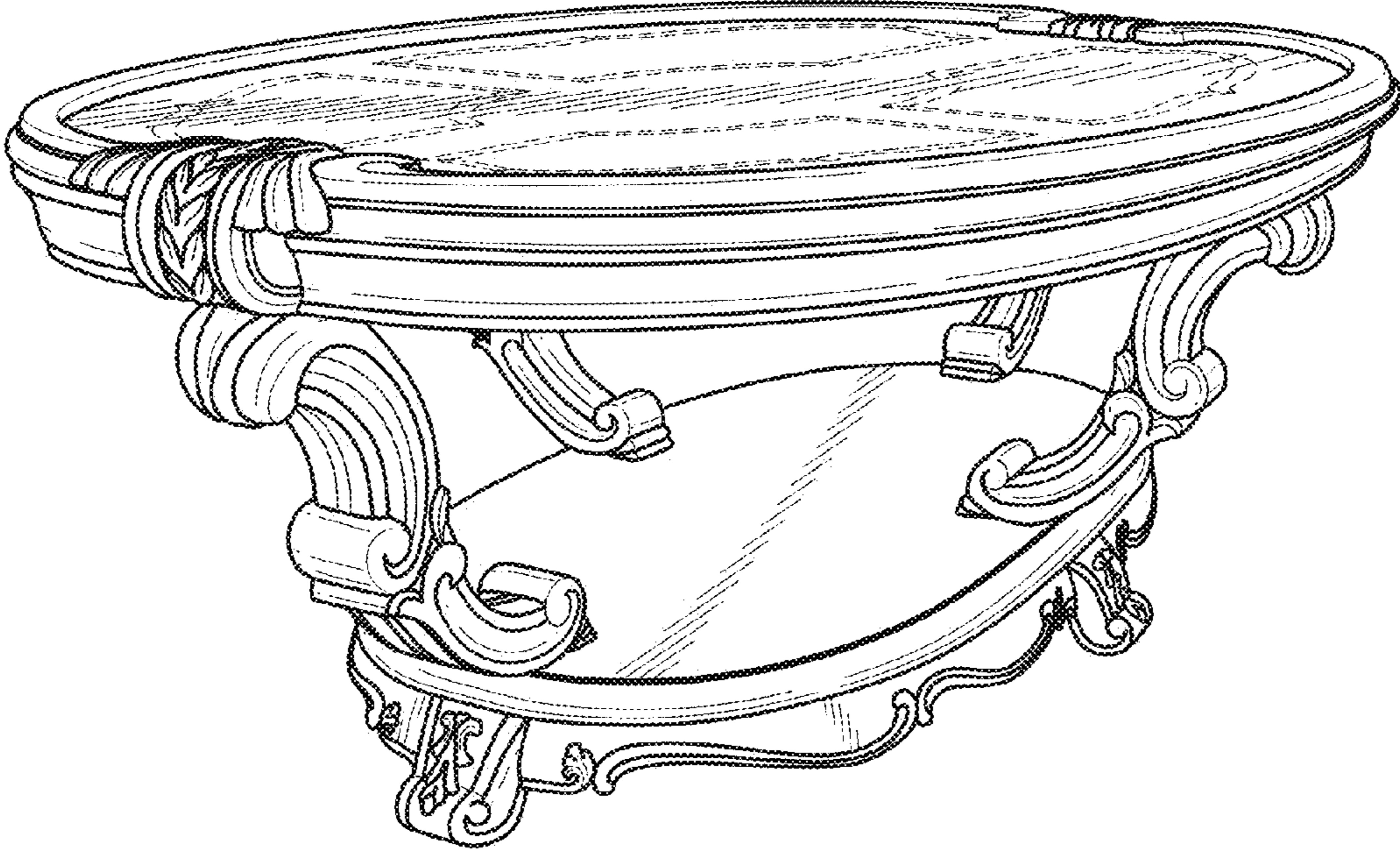
D552,889 S 10/2007 Domack et al.  
D552,891 S 10/2007 Everson et al.  
D558,487 S 1/2008 Everson et al.  
D558,488 S 1/2008 Domack et al.  
D562,598 S 2/2008 Domack et al.  
D569,660 S 5/2008 Schmitt  
D586,154 S 2/2009 Schmitt  
D592,893 S 5/2009 Schmitt

OTHER PUBLICATIONS

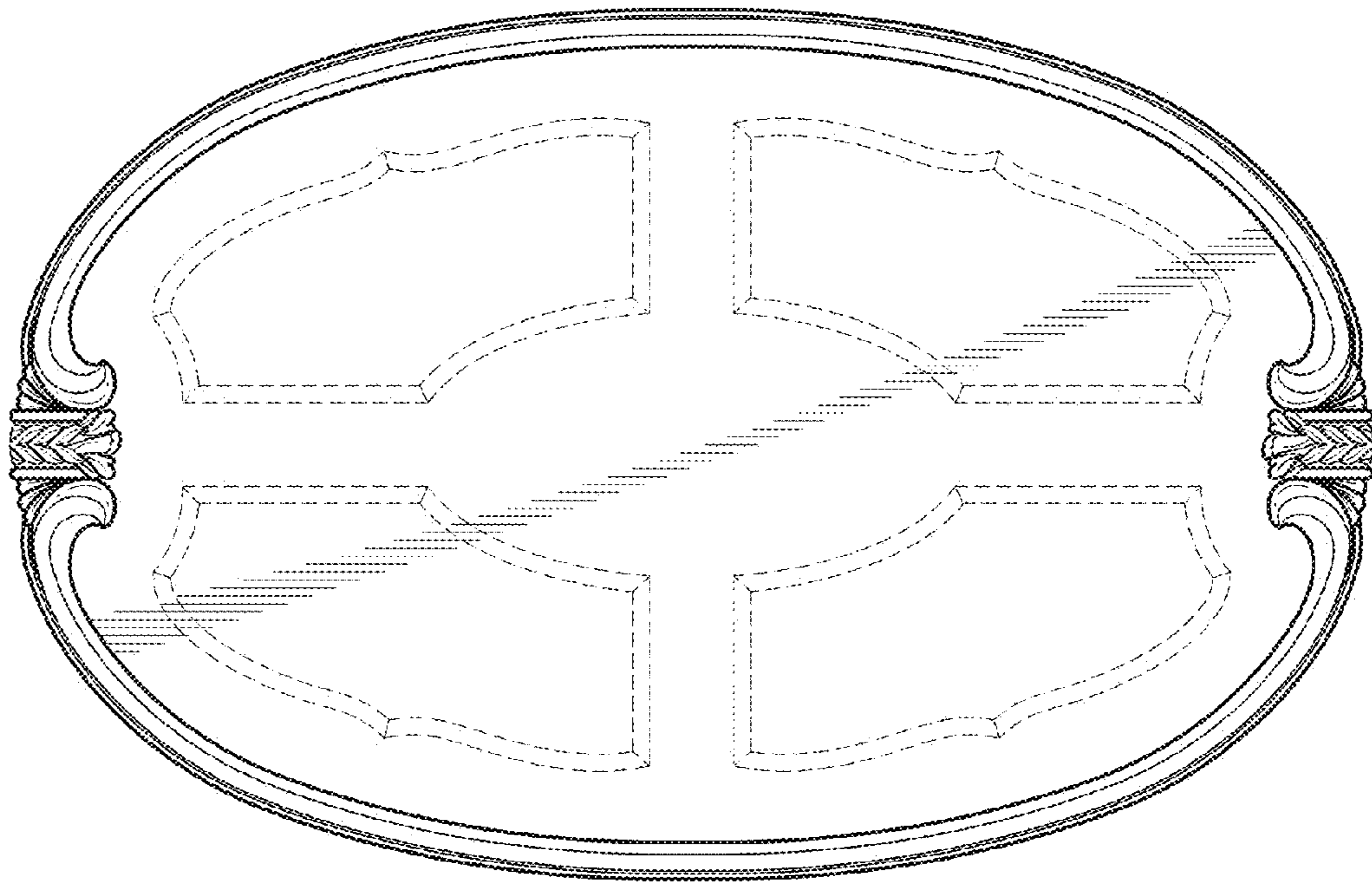
Furniture Today, p. 158, Oct. 19, 1998.  
Furniture Today, AICO Table; p. 15, Oct. 16, 2000.  
Amini Innovation Corp. Monte Carlo Collection, #53000 Series, 2001, 1 page.  
Amini Innovation Corp. La Francaise Collection, #50000 Series, Sep. 11, 2002, 2 pages.  
Amini Innovation Corp. Torino Collection, #56000 Series, Apr. 18, 2002, 1 page.  
Amini Innovation Corp. Excelsior Double Pedestal Table, Sep. 14, 2004, 1 page.  
Amini Innovation Corp. Trevi Collection, Sep. 20, 2004, 2 pages.

\* cited by examiner

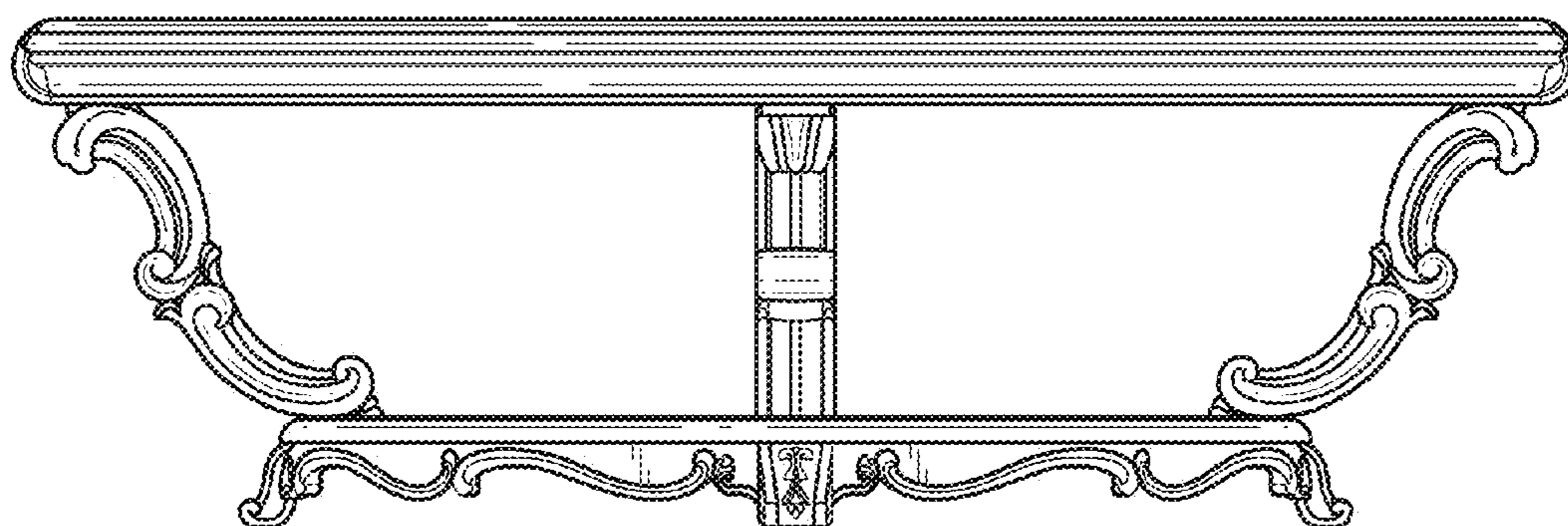
*FIG. 1*



*FIG. 2*



*FIG. 3*



*FIG. 4*

