



US00D759408S

(12) **United States Design Patent**
Denby et al.

(10) **Patent No.:** **US D759,408 S**
(45) **Date of Patent:** **** Jun. 21, 2016**

(54) **DISPLAY TABLE**

(71) Applicant: **TARGET BRANDS, INC.**,
Minneapolis, MN (US)

(72) Inventors: **Scott E. Denby**, Minneapolis, MN (US);
Thomas Michael Balko, Saint Paul, MN (US)

(73) Assignee: **Target Brands, Inc.**, Minneapolis, MN (US)

(**) Term: **14 Years**

(21) Appl. No.: **29/523,319**

(22) Filed: **Apr. 8, 2015**

(51) **LOC (10) Cl.** **06-06**

(52) **U.S. Cl.**
USPC **D6/677**

(58) **Field of Classification Search**
USPC D6/672, 677, 677.3, 683, 708.17;
D3/304; D7/558
CPC A47F 5/02; A47F 5/0018; A47F 3/10
See application file for complete search history.

(56) **References Cited**

U.S. PATENT DOCUMENTS

2,081,856	A	5/1937	Frick	
D105,086	S	6/1937	Bradshaw	
2,157,400	A	5/1939	Cooper	
D149,046	S	3/1948	Blumenthal et al.	
2,750,051	A	6/1956	Wassell	
2,902,174	A	9/1959	Audsley	
3,198,338	A	8/1965	McCormick	
3,211,294	A	10/1965	Maguire	
D211,430	S *	6/1968	Balos	D6/407
D234,475	S *	3/1975	Markus	D6/677.1

(Continued)

OTHER PUBLICATIONS

“Teen Lingerie Sales: Exploding Across U.S.,” printed from <http://fashionroller.blogspot.com/2013/02/celebrity-fashion-teen-lingerie-sales.html>, posted Feb. 14, 2013 (3 pages).

(Continued)

Primary Examiner — Kelley Donnelly

(74) *Attorney, Agent, or Firm* — Griffiths & Seaton PLLC;
JoAnn M. Seaton

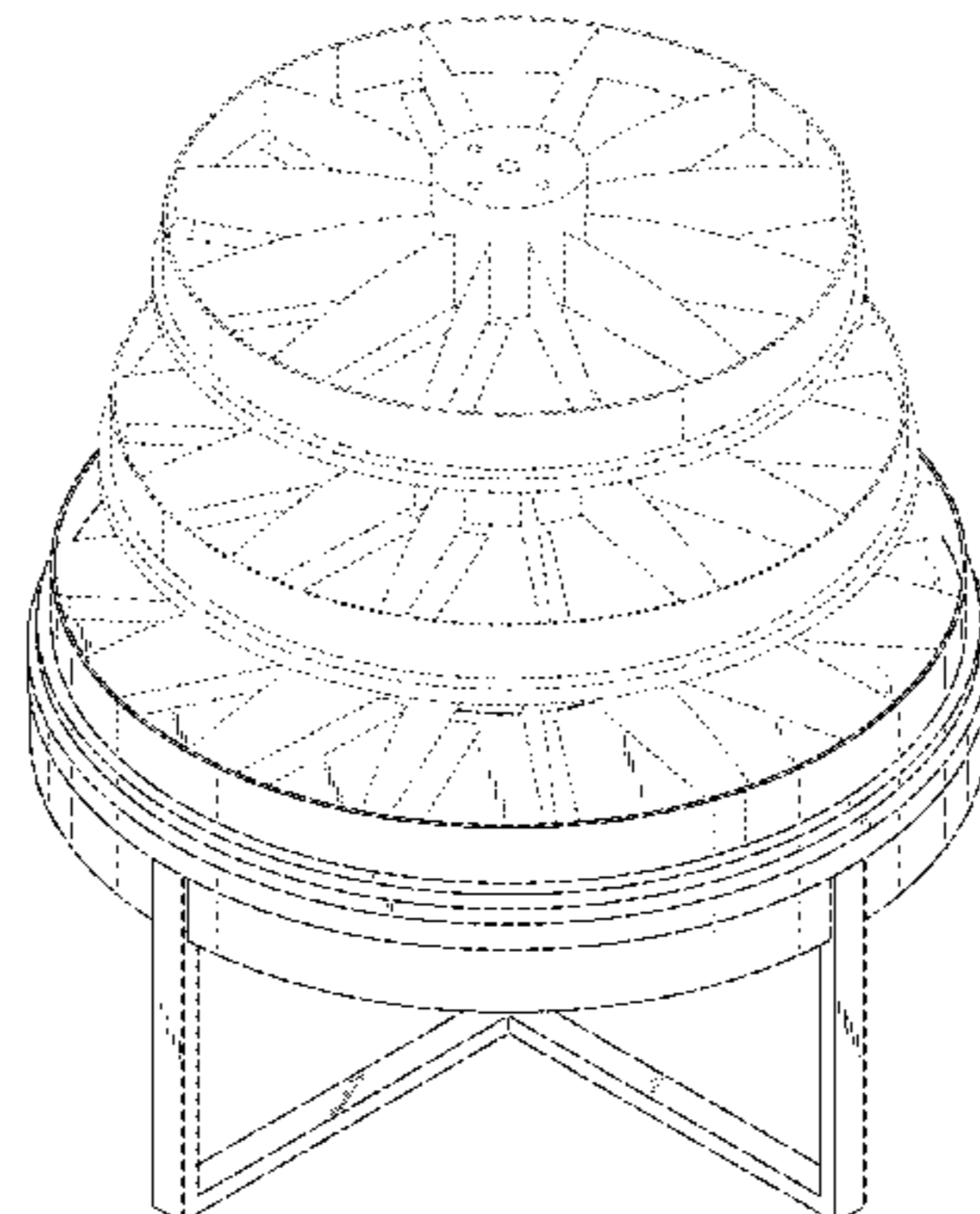
(57) **CLAIM**

The ornamental design for a display table, as shown and described.

DESCRIPTION

FIG. 1 is a front perspective view of a display table showing a first embodiment of our new design;
 FIG. 2 is a front view thereof, the rear view being a mirror image of the front view;
 FIG. 3 is a right side view thereof, the left side view being a mirror image of the right side view; and
 FIG. 4 is a top view thereof.
 FIG. 5 is a front perspective view of the display table of FIG. 1 with a portion of the unclaimed subject matter removed for clarity;
 FIG. 6 is a front view thereof, the rear view being a mirror image of the front view;
 FIG. 7 is a right side view thereof, the left side view being a mirror image of the right side view; and
 FIG. 8 is a top view thereof.
 FIG. 9 is a front perspective view of a display table showing a second embodiment of our new design;
 FIG. 10 is a front view thereof, the rear view being a mirror image of the front view;
 FIG. 11 is a right side view thereof, the left side view being a mirror image of the right side view; and
 FIG. 12 is a top view thereof.
 FIG. 13 is a front perspective view of the display table of FIG. 9 with a portion of the unclaimed subject matter removed for clarity;
 FIG. 14 is a front view thereof, the rear view being a mirror image of the front view;
 FIG. 15 is a right side view thereof, the left side view being a mirror image of the right side view; and,
 FIG. 16 is a top view thereof.
 The features shown in broken lines are portions of the display table or environmental subject matter to the display table forming no part of the claimed design. The features shown in long dash-short dash bolded broken lines indicate the bounds of the claimed design and otherwise form no part of the claimed design.

1 Claim, 16 Drawing Sheets



(56)

References Cited

U.S. PATENT DOCUMENTS

3,951,079 A 4/1976 Tolleson
 D247,402 S * 3/1978 Cohen D6/680.3
 4,315,467 A * 2/1982 Vanderminden A47B 3/12
 108/157.15
 D276,011 S * 10/1984 Hannecke D6/677
 D288,153 S 2/1987 Engstrand
 4,736,856 A 4/1988 Alneng et al.
 D354,870 S 1/1995 Oliver et al.
 D361,678 S * 8/1995 Tavone D6/677.1
 D380,319 S * 7/1997 Sica D6/677.3
 D401,810 S 12/1998 Swift
 D407,920 S 4/1999 Duffield
 D421,195 S * 2/2000 Pezzullo D6/677.3
 D451,703 S 12/2001 All
 6,502,707 B1 1/2003 Sullivan
 D507,602 S * 7/2005 Siegel D19/85
 7,144,610 B1 12/2006 Estes et al.
 D539,564 S * 4/2007 Edison D6/672
 D547,095 S * 7/2007 Hasuike D6/661.2
 D552,881 S * 10/2007 Rittmann D6/677.3
 D560,974 S * 2/2008 Goode D7/500
 D676,240 S 2/2013 Baker
 D682,583 S 5/2013 Hawkins
 D687,225 S * 8/2013 Baker D3/313
 D693,157 S * 11/2013 Polidoros D6/681
 D693,162 S * 11/2013 Polidoros D6/708.16
 D693,614 S * 11/2013 Polidoros D6/708.16
 D707,992 S * 7/2014 Naha D6/675.3
 D720,143 S * 12/2014 Barber D6/349
 D740,577 S * 10/2015 Cohen D6/349
 D743,708 S * 11/2015 Cohen D6/349
 D747,904 S * 1/2016 Haynes D6/692
 D749,863 S * 2/2016 Cohen D6/349
 D749,864 S * 2/2016 Cohen D6/352
 2014/0158654 A1 6/2014 Hawkins et al.
 2014/0158655 A1 6/2014 Hawkins

OTHER PUBLICATIONS

“White 3 Tier Round Table With Casters,” printed from <http://www.candyconceptsinc.com/White-3-Tier-Round-Table-With->

Casters-_p_4309.html, publicly available at least as early as Jul. 8, 2013, per <http://web.archive.org> (2 pages).
 Cunneyworth, Amy, “Victoria Secret: Meadowhall, Sheffield—Launch Night,” printed from <http://amycunneyworth.blogspot.com/>, posted Aug. 22, 2013 (6 pages).
 “3-tier Spinning Counter Rack,” printed from http://www.buystoreshelving.com/counter_spinning_racks/counter_rack_with_compartments_RC5/index.htm, publicly available at least as early as Sep. 9, 2013, per <http://web.archive.org> (3 pages).
 “The Angels Have Landed at Metropolis at Metrotown,” printed from <http://metropolisatmetrotown.com/blogs/angels-have-landed-metropolis-metrotown>, publicly available at least as early as Oct. 25, 2013 (4 pages).
 “4-Tier Round Maple Display Table,” printed from <http://thefixturezone.com/4romadita.html>, publicly available at least as early as Mar. 28, 2014, per <http://web.archive.org> (2 pages).
 “3 Tier Round Vintage Industrial Hardware Tool Bin,” printed from <https://www.etsy.com/listing/81473395/3-tier-round-vintage-industrial-hardware>, vintage 1950s (2 pages).
 “5 Tiers Wedding Cake Stand Display,” printed from http://www.alibaba.com/product-detail/5-tiers-wedding-cake-stand-display_331749139.html, publicly available at least as early as Nov. 20, 2014 (5 pages).
 “Display Round Retail 2 Tier Merchandiser Table,” printed from <http://www.ebay.com/itm/DISPLAY-ROUND-RETAIL-2-TIER-MERCHANDISER-TABLE-/271519829433>, publicly available at least as early as Nov. 20, 2014 (3 pages).
 “Round Display Table/Display Rounder/Tiered Table,” printed from http://egf.en.alibaba.com/product/340775105-210412377/Round_Display_Table_Display_Rounder_Tiered_Table.html, publicly available at least as early as Nov. 20, 2014 (3 pages).
 “Round Display Table w/ 4 Tier Glass,” printed from http://red3display.com/site/index.php/tables?page=shop.product_details&flypage=flypage.tpl&product_id=233&category_id=17, publicly available at least as early as Nov. 20, 2014 (1 page).
 “Vintage Screw Bin Rotabin 8 Rotary Tiers,” printed from http://www.ebay.com/itm/VINTAGE-SCREW-BIN-ROTABIN-8-ROTARY-TIE...IO-USA-/251693364800?pt=LH_DefaultDomain_0&hash=item3a9a17f640, vintage 1940s (3 pages).

* cited by examiner

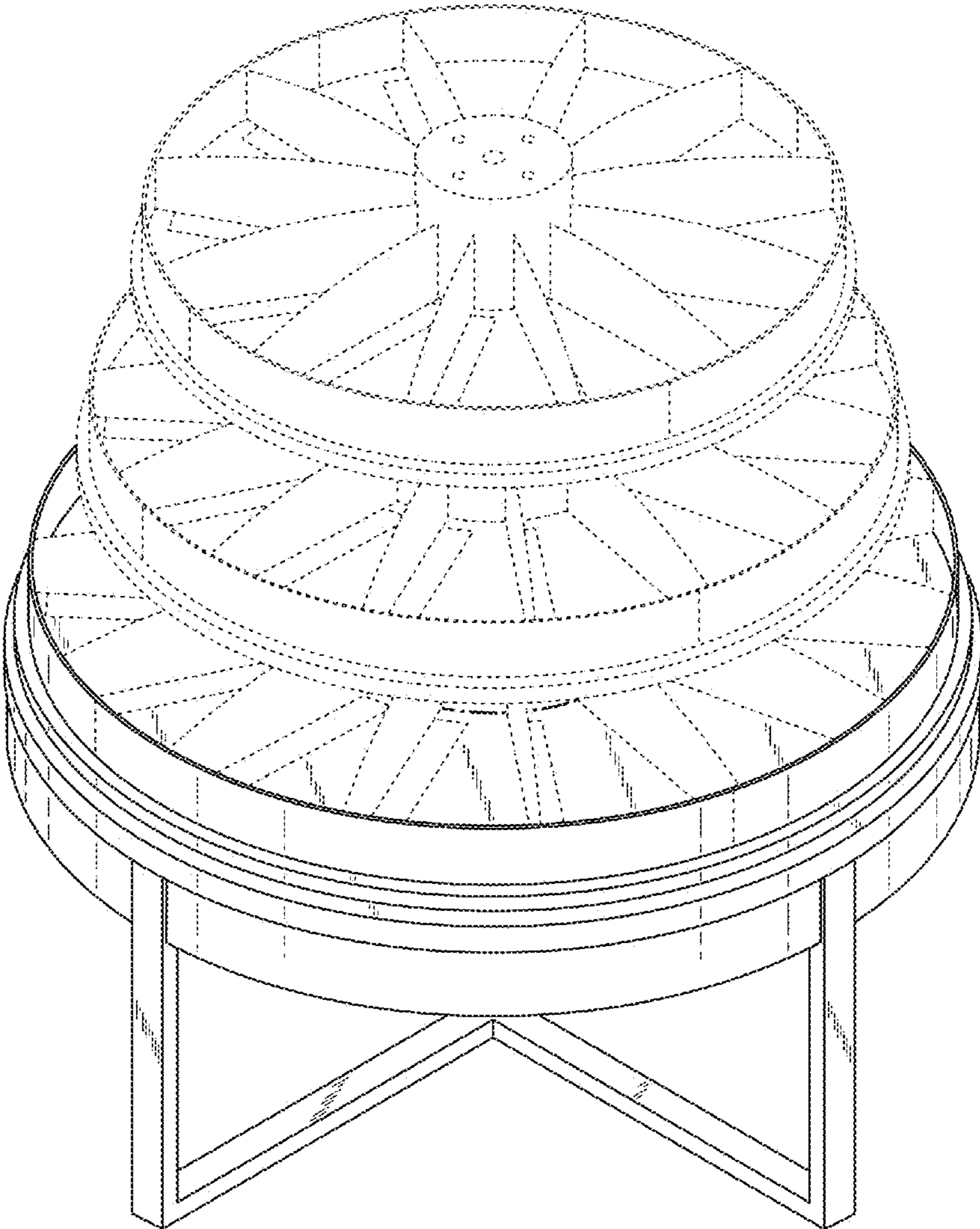


FIG. 1

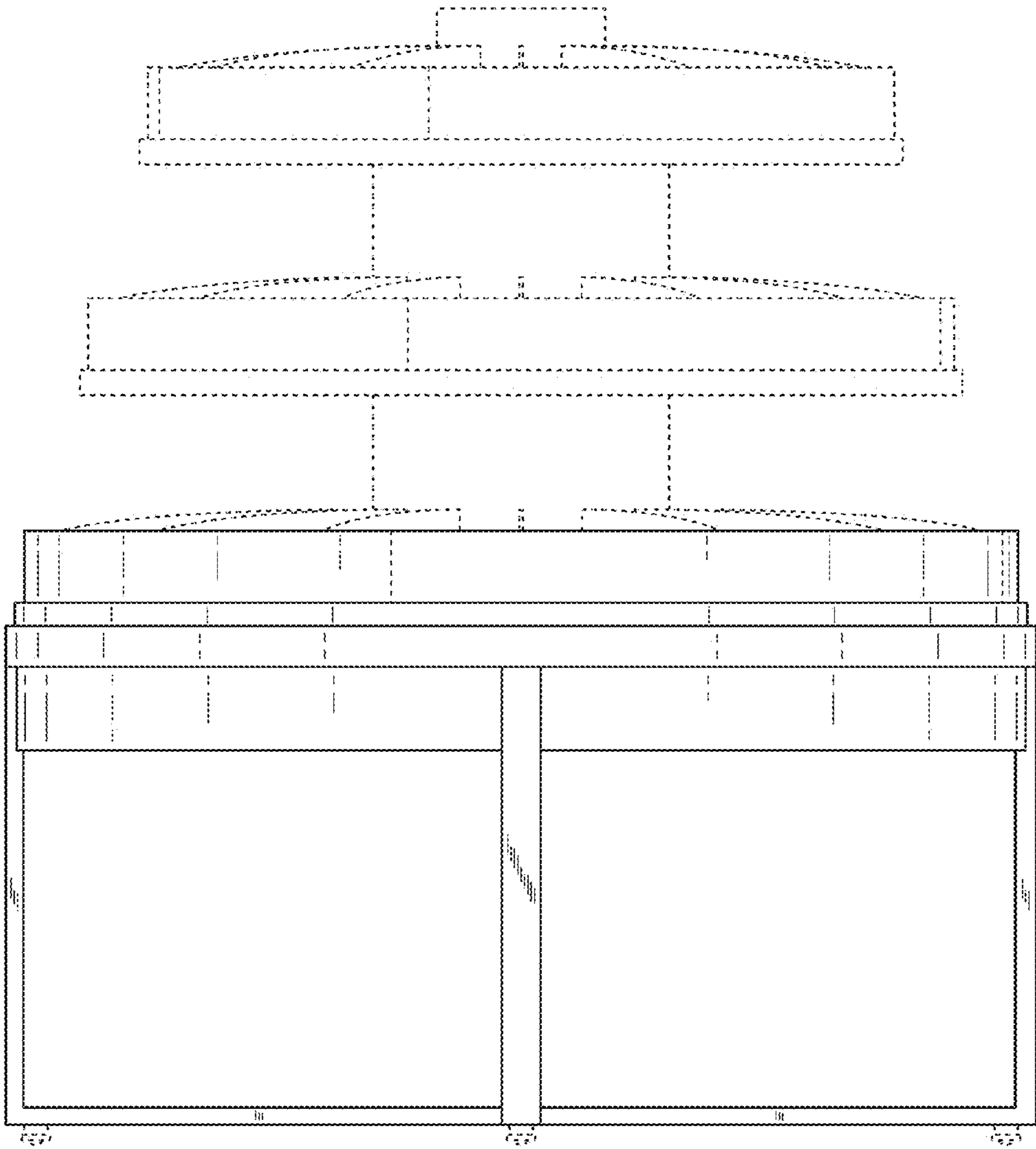


FIG. 2

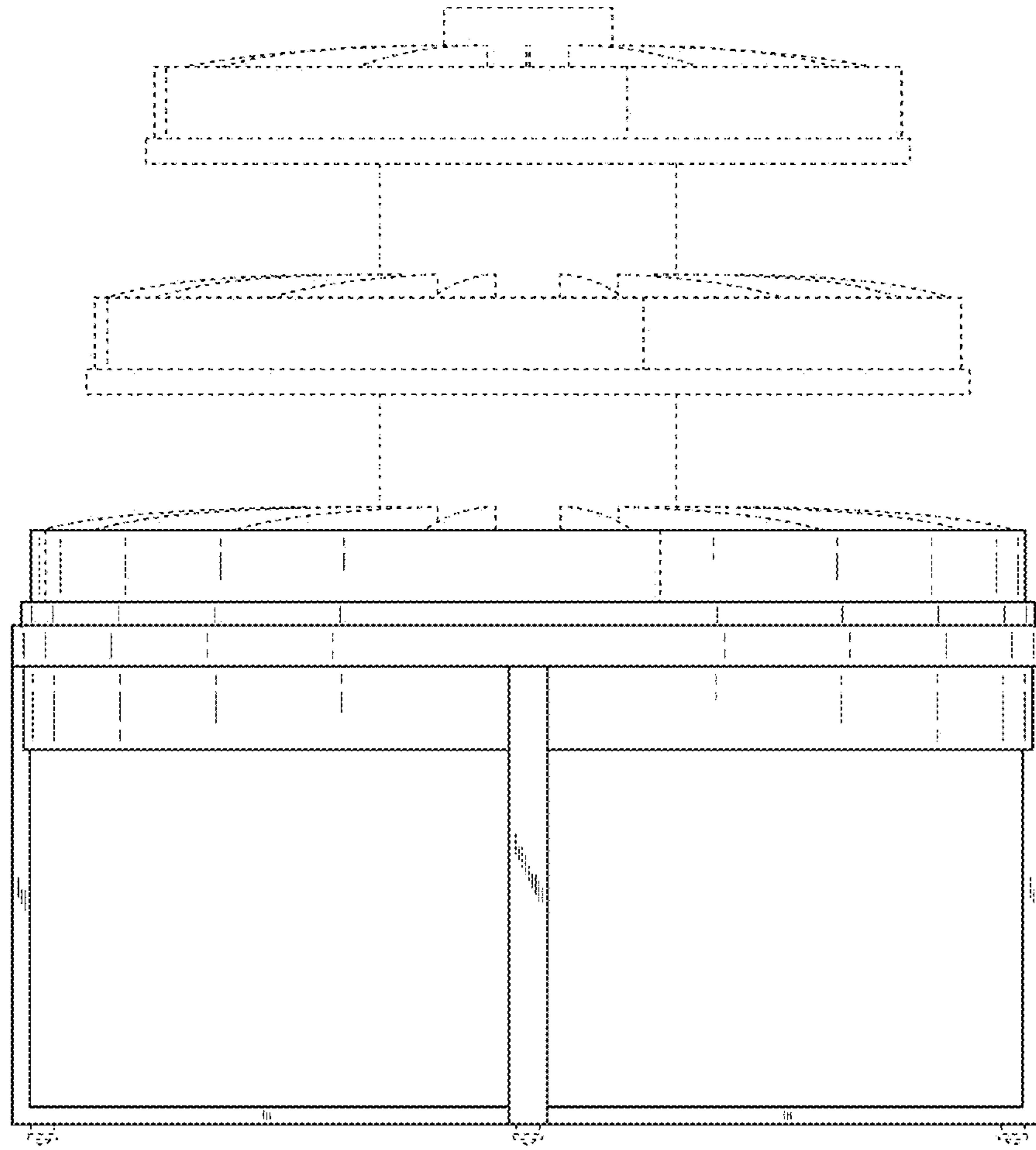


FIG. 3

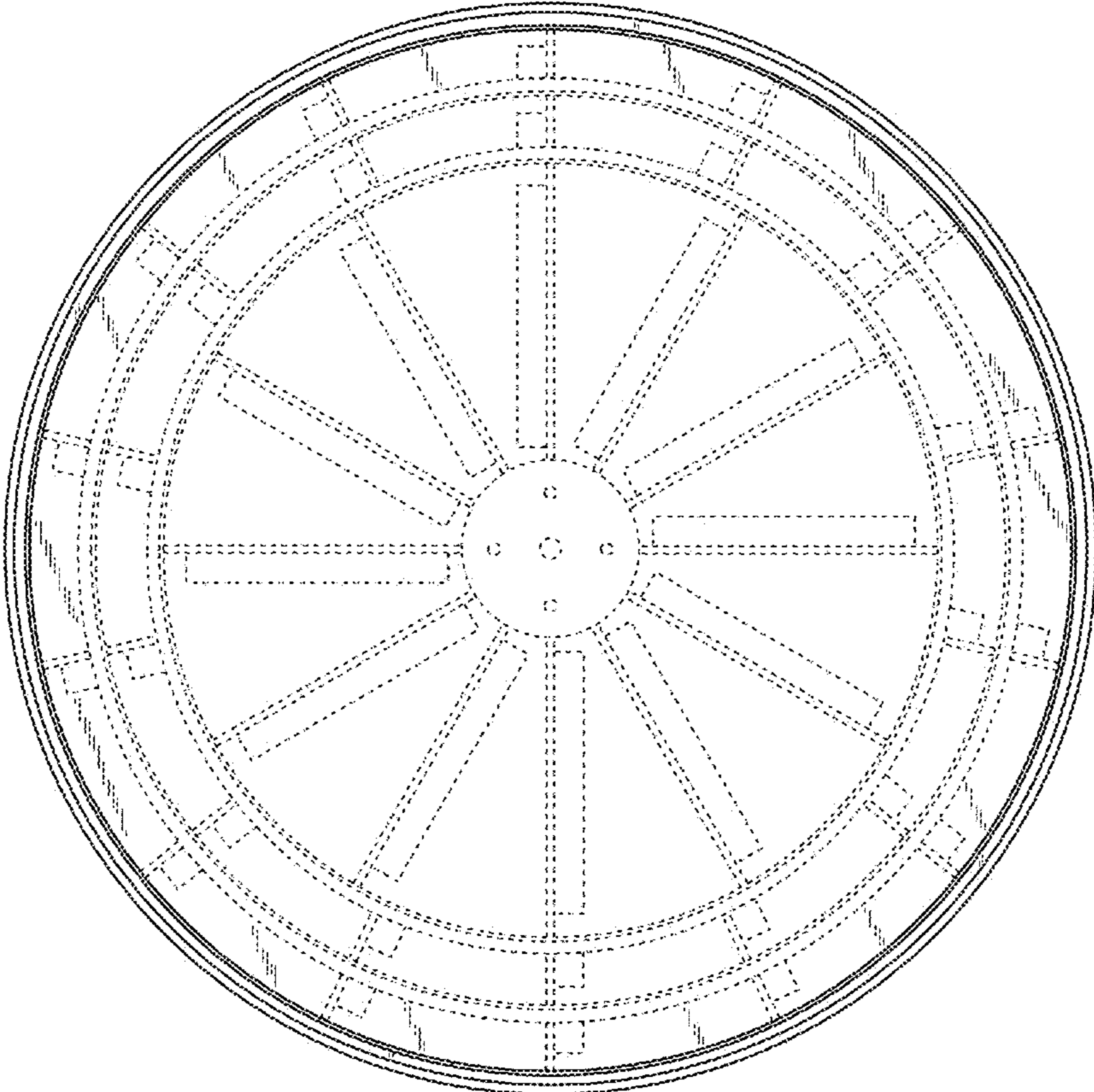


FIG. 4

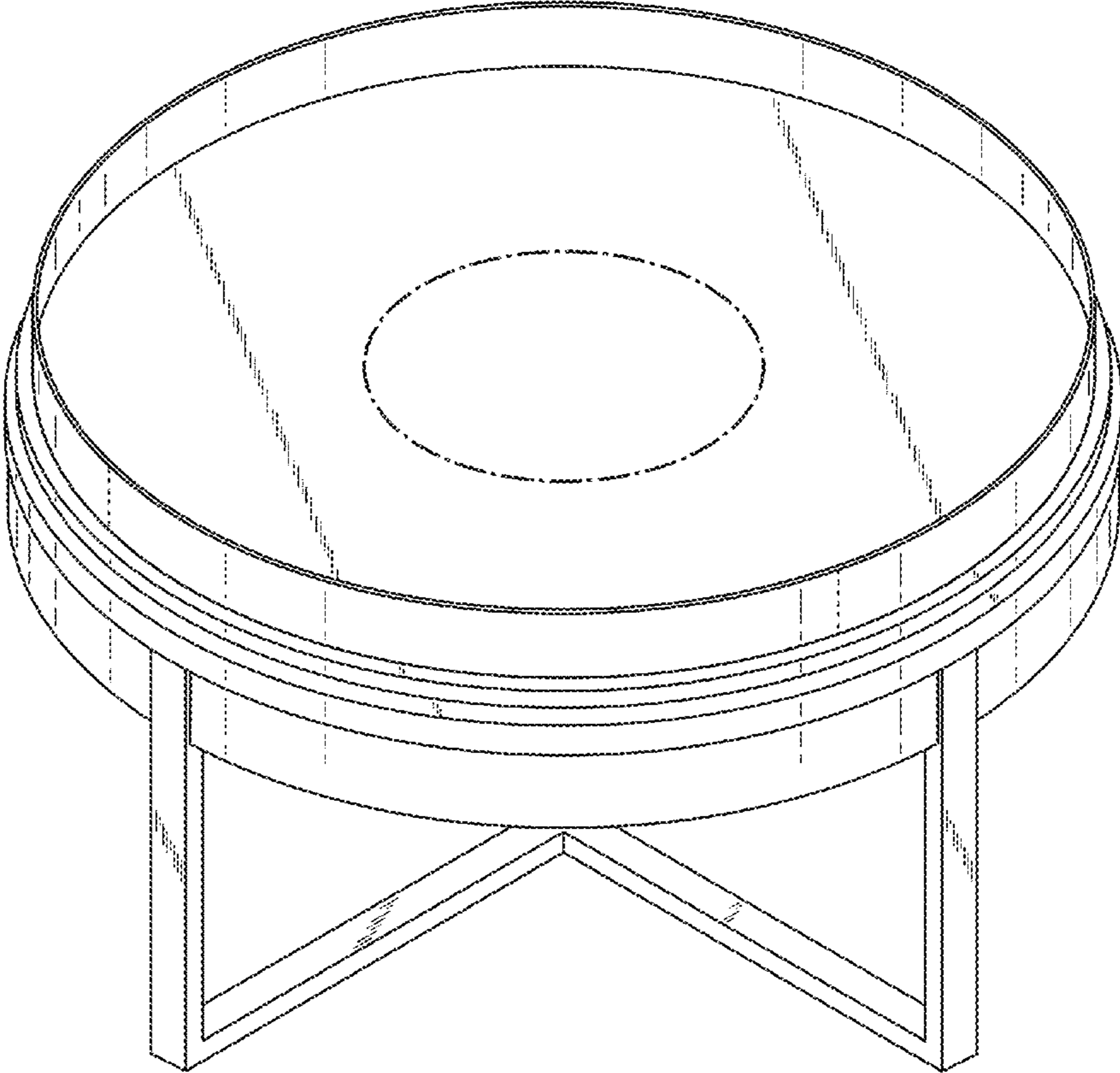


FIG. 5

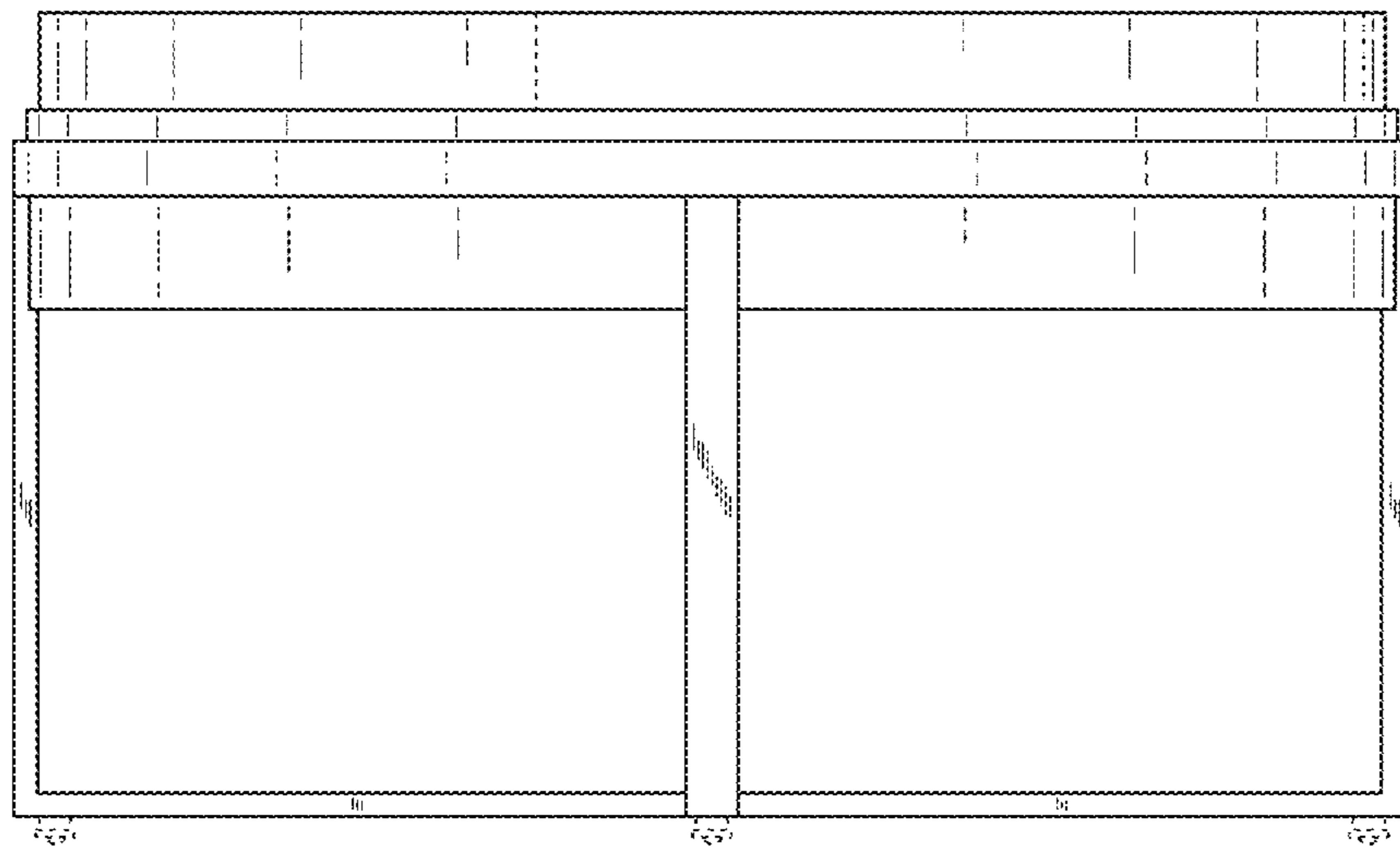


FIG. 6

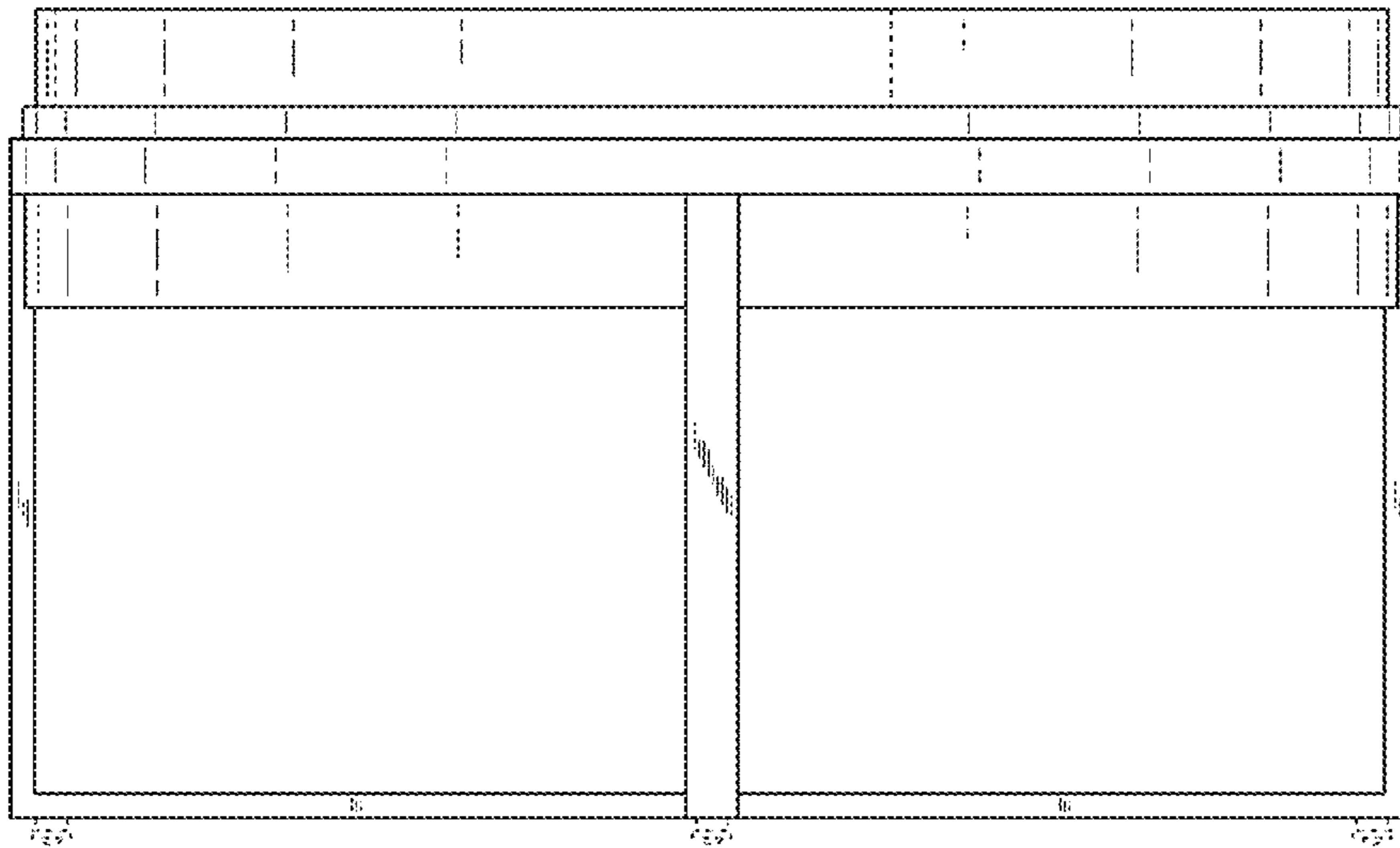


FIG. 7

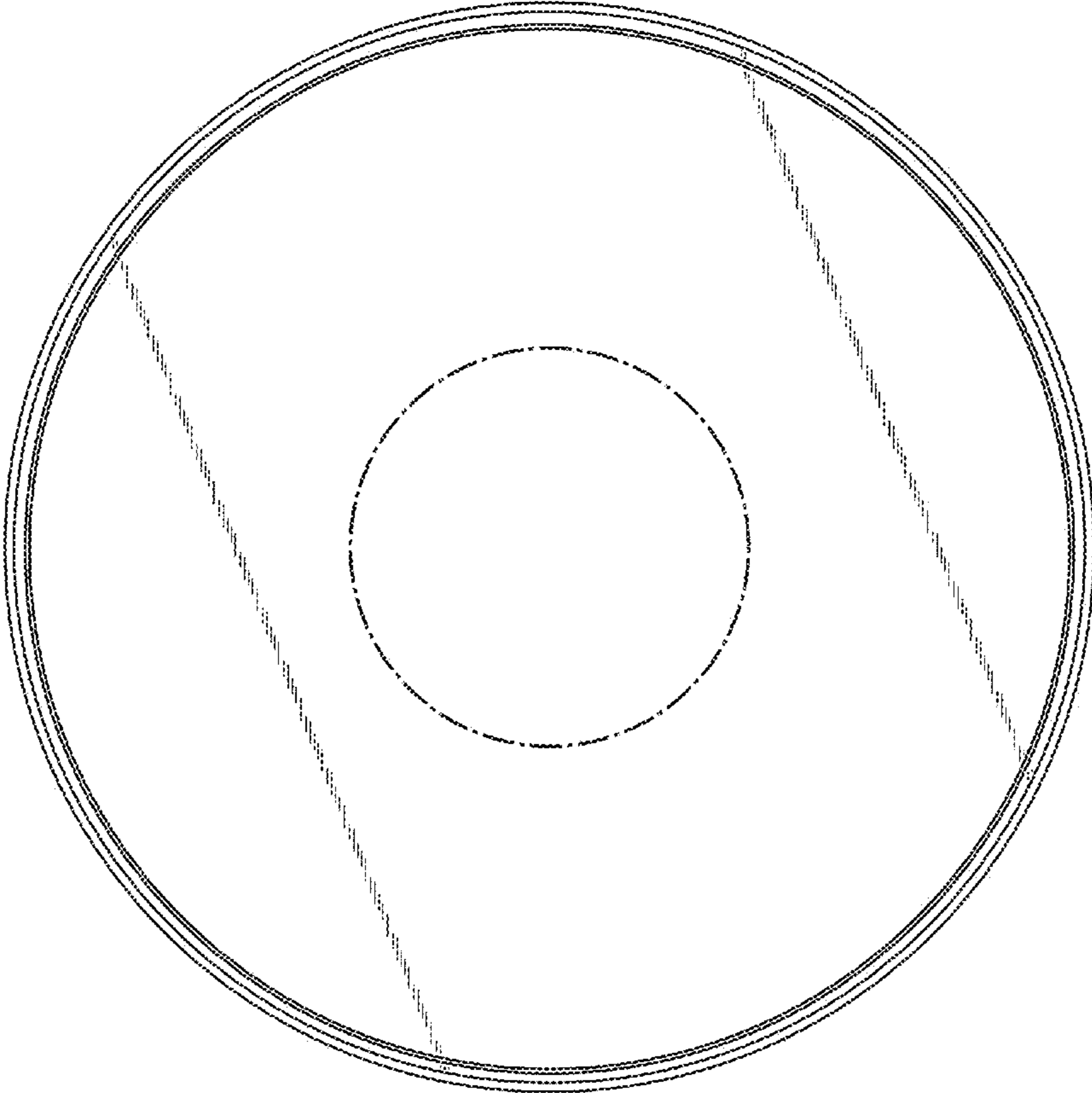


FIG. 8

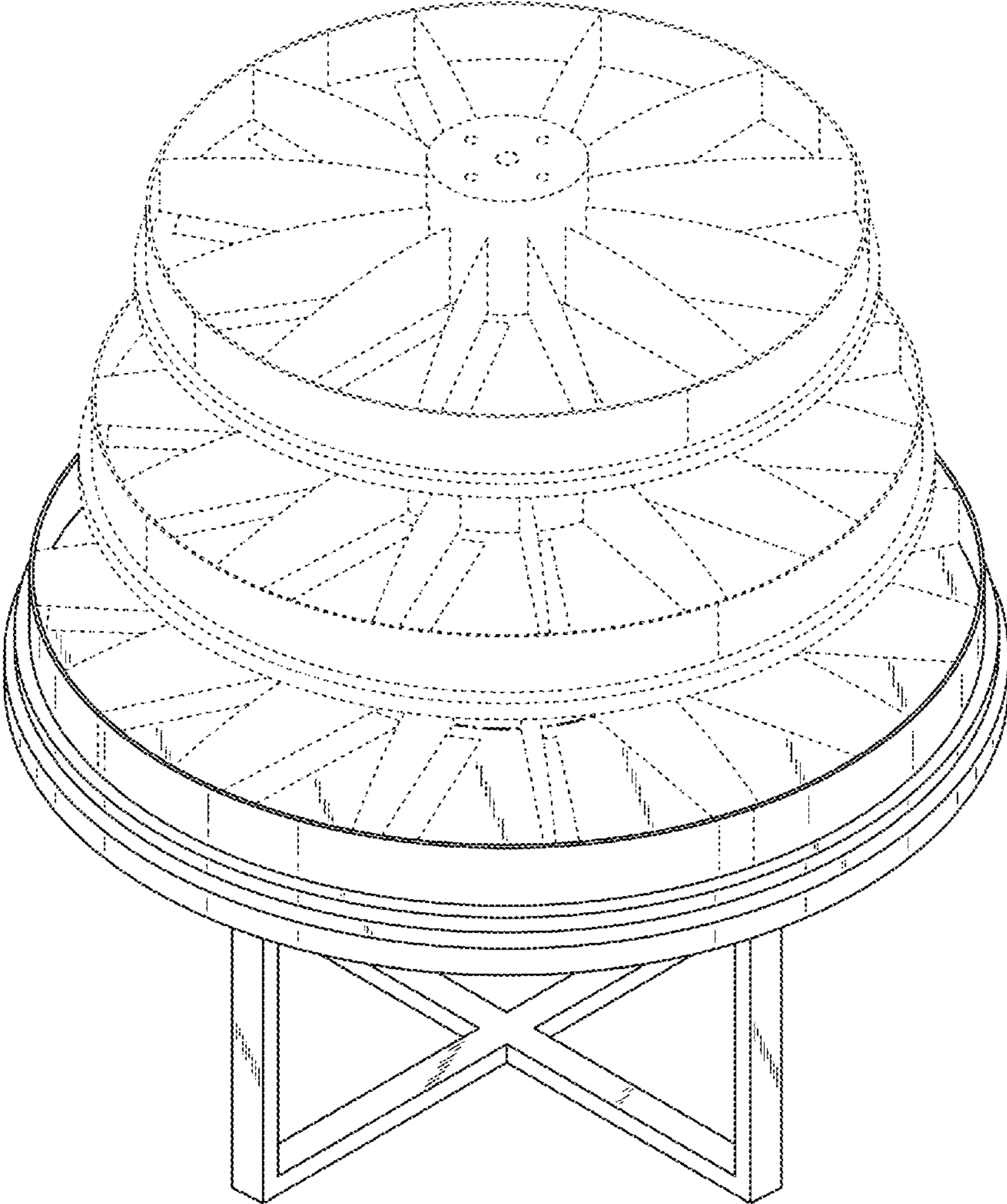


FIG. 9

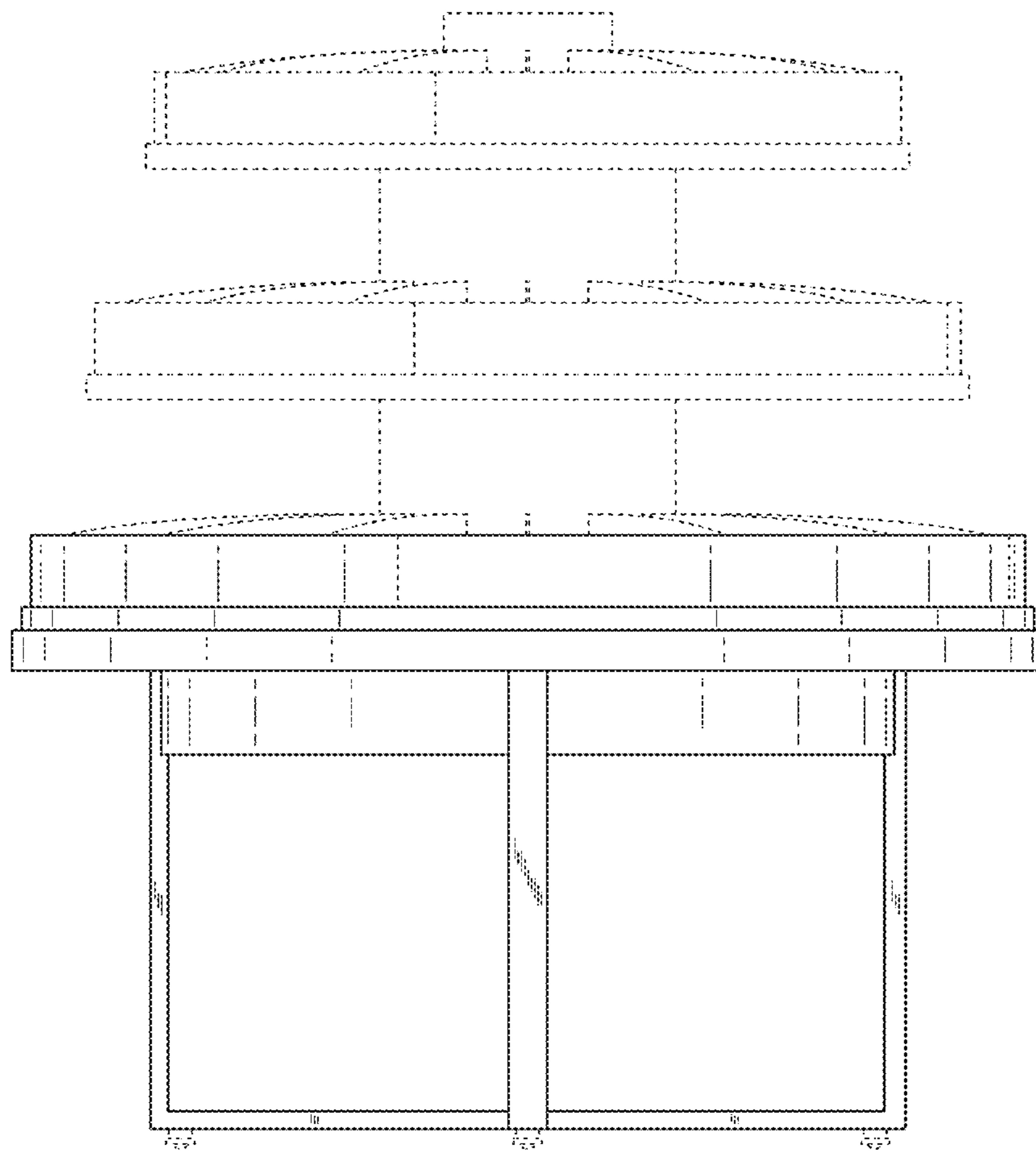


FIG. 10

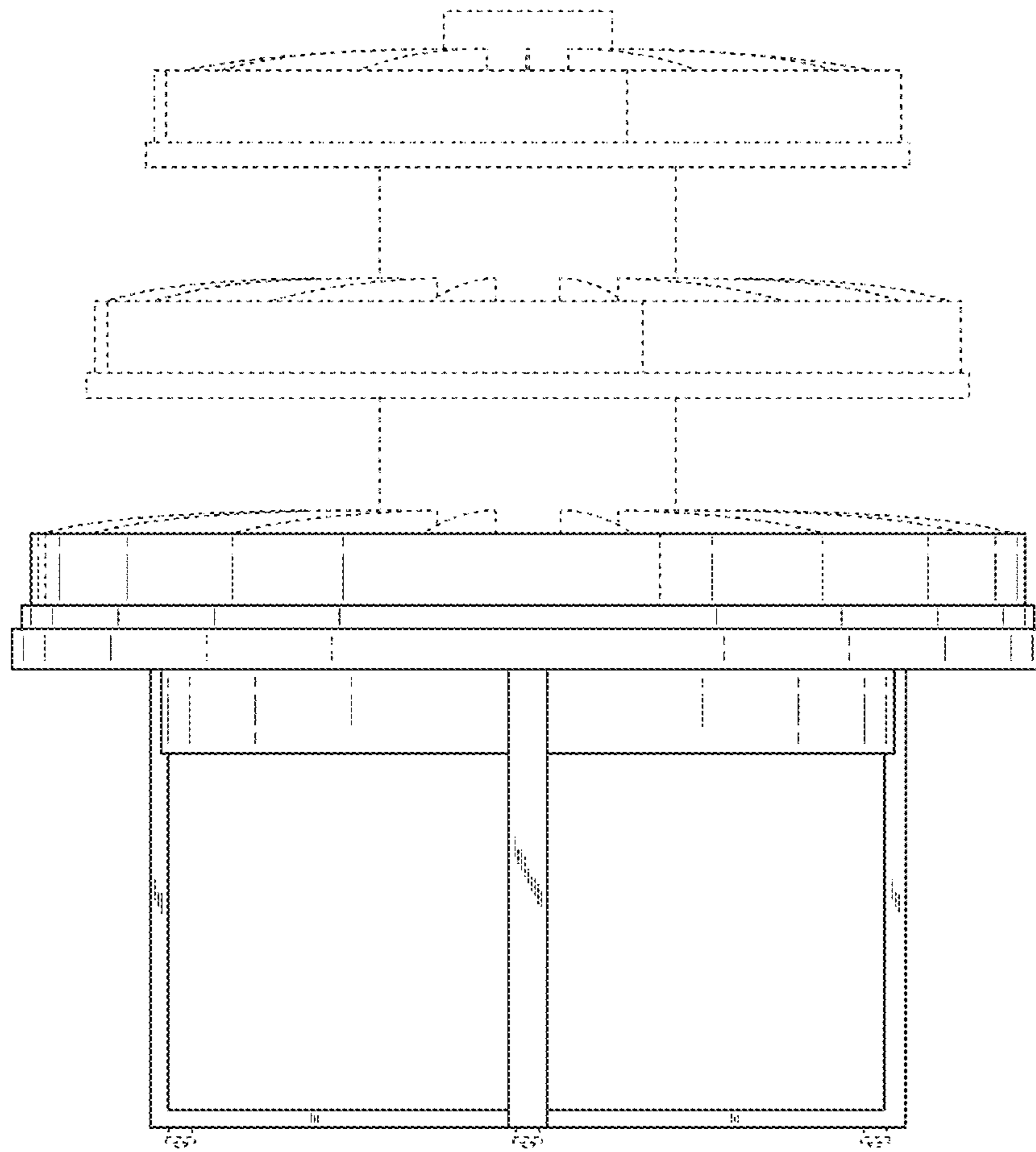


FIG. 11

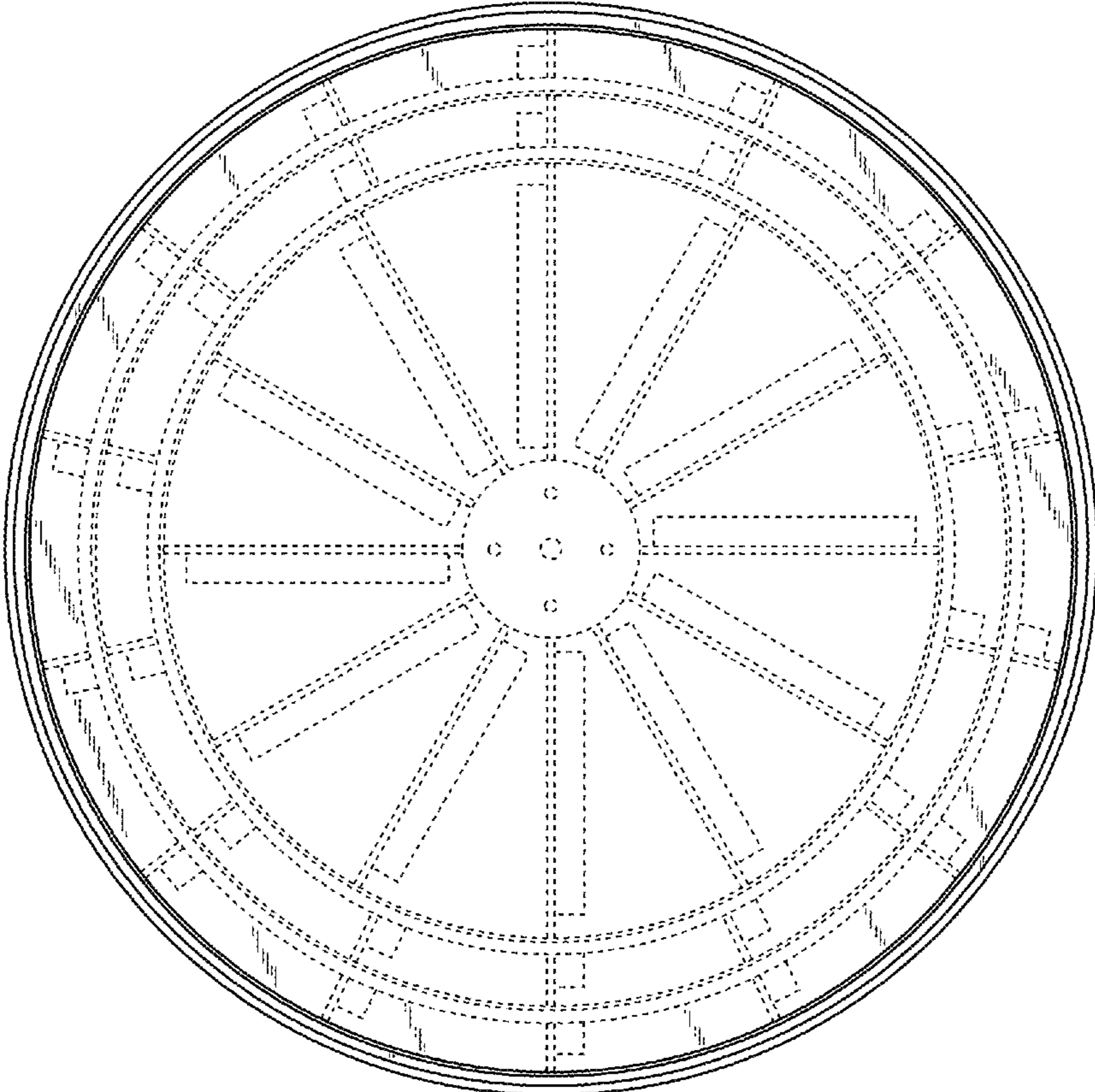


FIG. 12

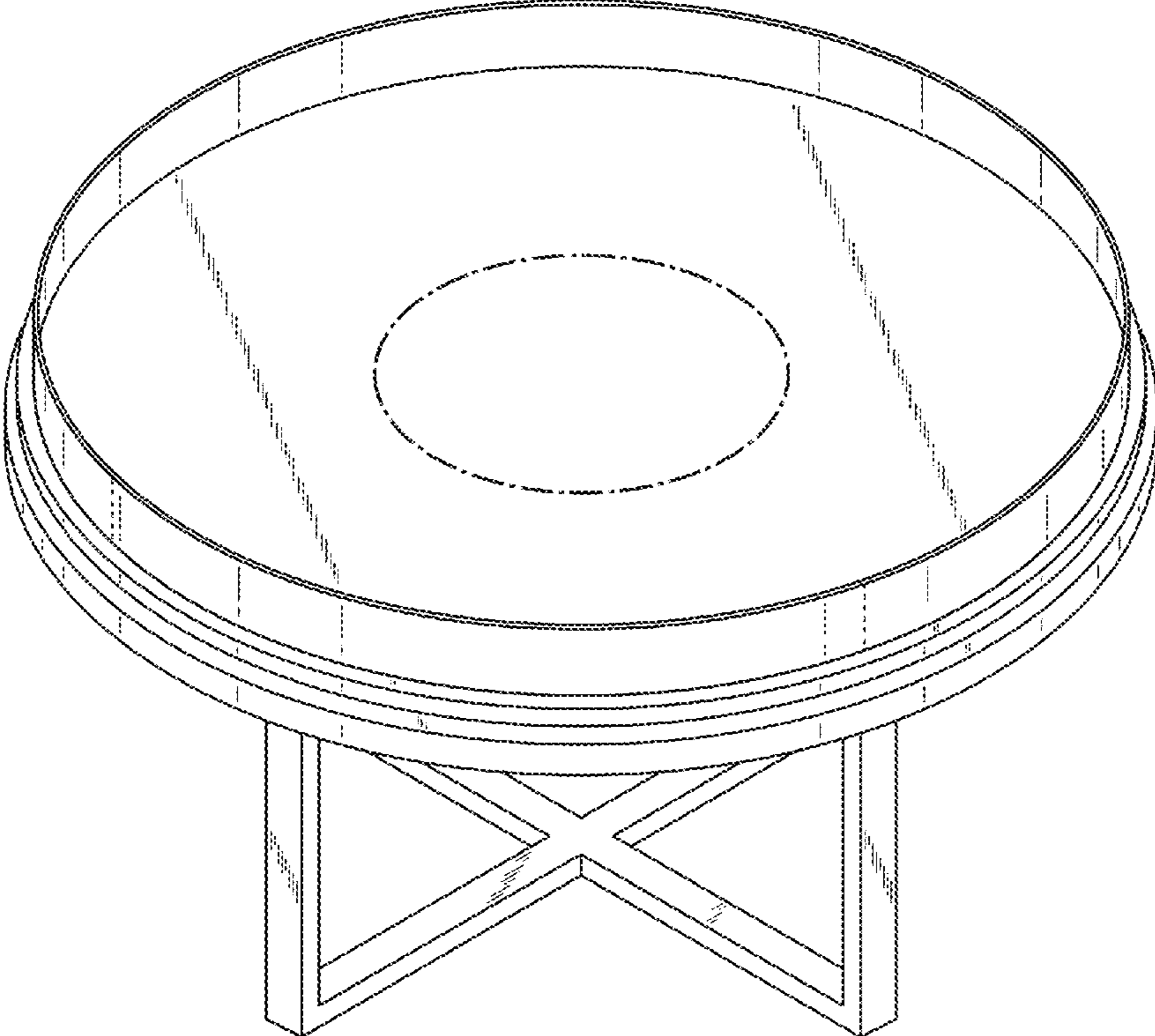


FIG. 13

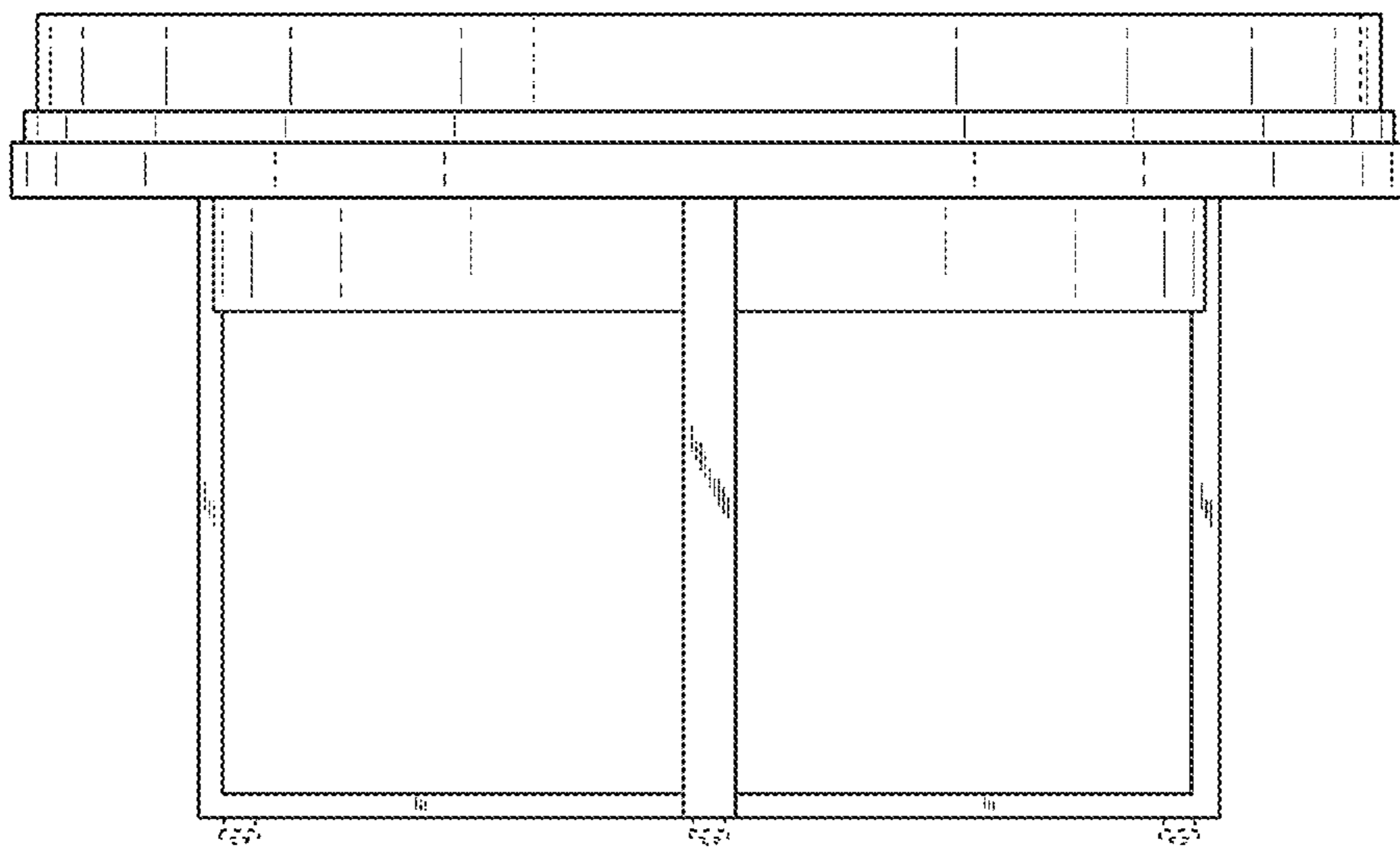


FIG. 14

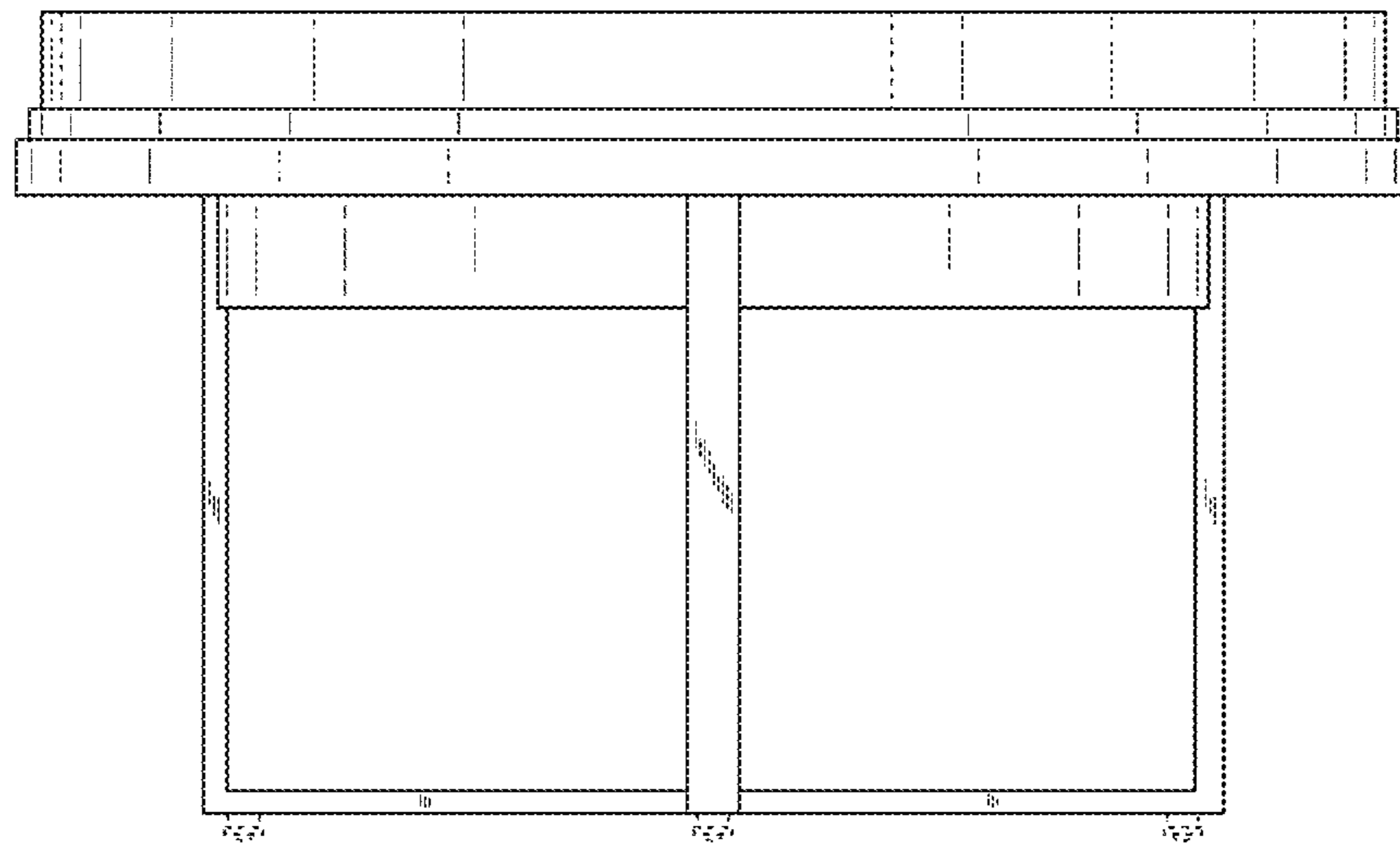


FIG. 15

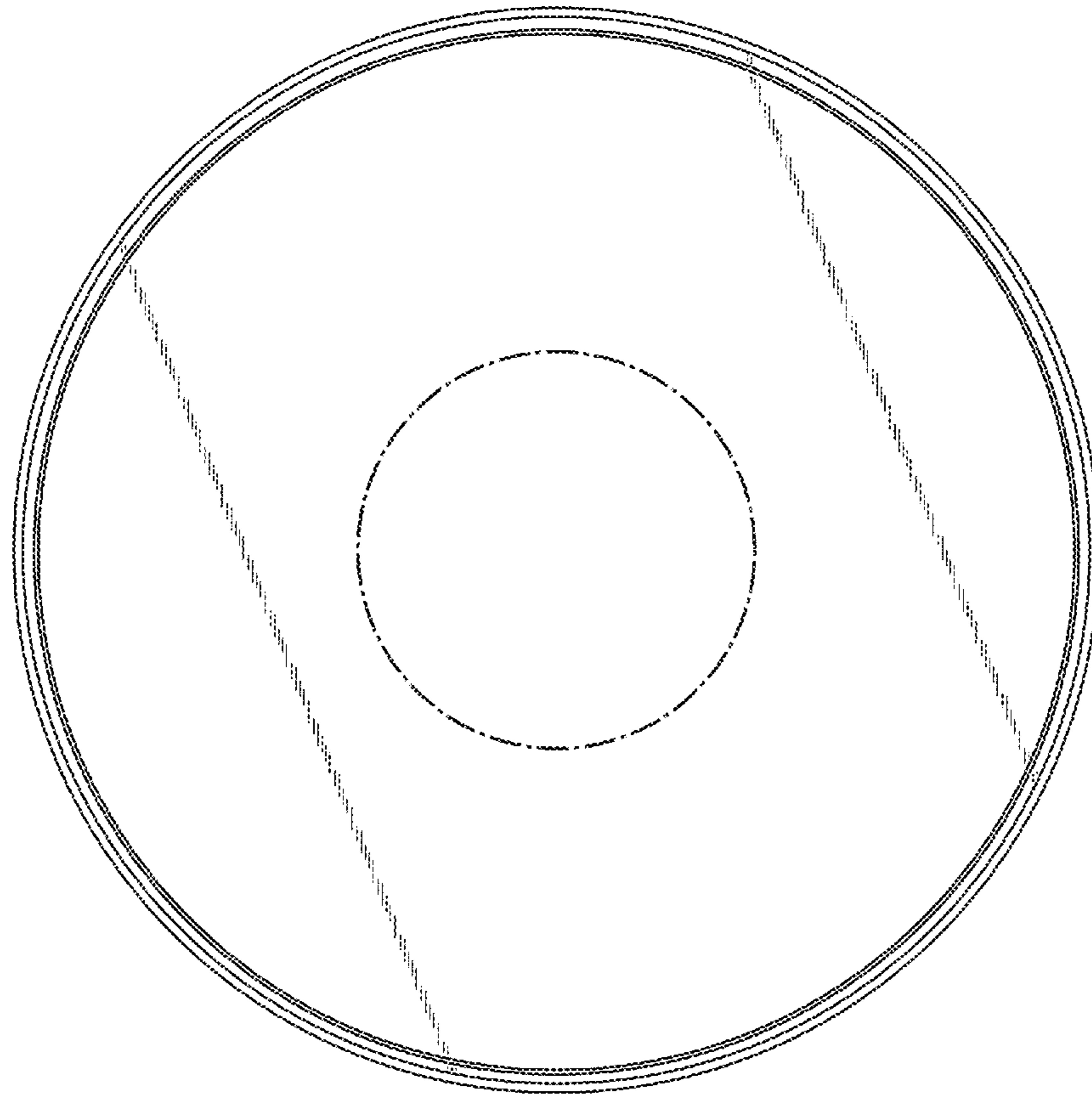


FIG. 16