



US00D759407S

(12) **United States Design Patent**  
**Denby**

(10) **Patent No.:** **US D759,407 S**  
(45) **Date of Patent:** **\*\* Jun. 21, 2016**

(54) **PRODUCT DISPLAY FIXTURE**  
(71) Applicant: **TARGET BRANDS, INC.**,  
Minneapolis, MN (US)  
(72) Inventor: **Scott E. Denby**, Minneapolis, MN (US)  
(73) Assignee: **Target Brands, Inc.**, Minneapolis, MN  
(US)

3,357,569 A \* 12/1967 Goodman ..... A47C 31/123  
211/28  
D221,703 S \* 8/1971 Fleming et al. .... D19/90  
4,023,682 A \* 5/1977 Niece ..... A47B 57/581  
108/27  
D246,593 S \* 12/1977 Paquette ..... D19/90  
4,410,093 A \* 10/1983 Chiariello ..... B42F 17/12  
211/11

(\*\*) Term: **15 Years**

(21) Appl. No.: **29/526,862**

(22) Filed: **May 13, 2015**

(51) **LOC (10) Cl.** ..... **06-06**

(52) **U.S. Cl.**  
USPC ..... **D6/675.2**

(58) **Field of Classification Search**  
USPC ..... D6/672, 675, 675.2, 675.1, 675.5;  
D19/75, 86, 90  
CPC .. B42F 17/08; B65D 21/048; A47B 87/0207;  
A47F 5/01; F16B 12/40; F16B 1/3732;  
F16B 1/38; F16B 3/2053; A22C 15/003  
See application file for complete search history.

(Continued)

**OTHER PUBLICATIONS**

“5 Slot Mattress Display Rack”, printed from [http://hansenandyoung.com/index.php?slb=1&itmpg=1&itm\\_i](http://hansenandyoung.com/index.php?slb=1&itmpg=1&itm_i), publicly available at least as early as Apr. 10, 2011 (3 pages).

(Continued)

*Primary Examiner* — John Windmuller  
*Assistant Examiner* — Steven Czyz  
(74) *Attorney, Agent, or Firm* — Griffiths & Seaton PLLC;  
JoAnn M. Seaton

(57) **CLAIM**  
The ornamental design for a product display fixture, as shown and described.

(56) **References Cited**

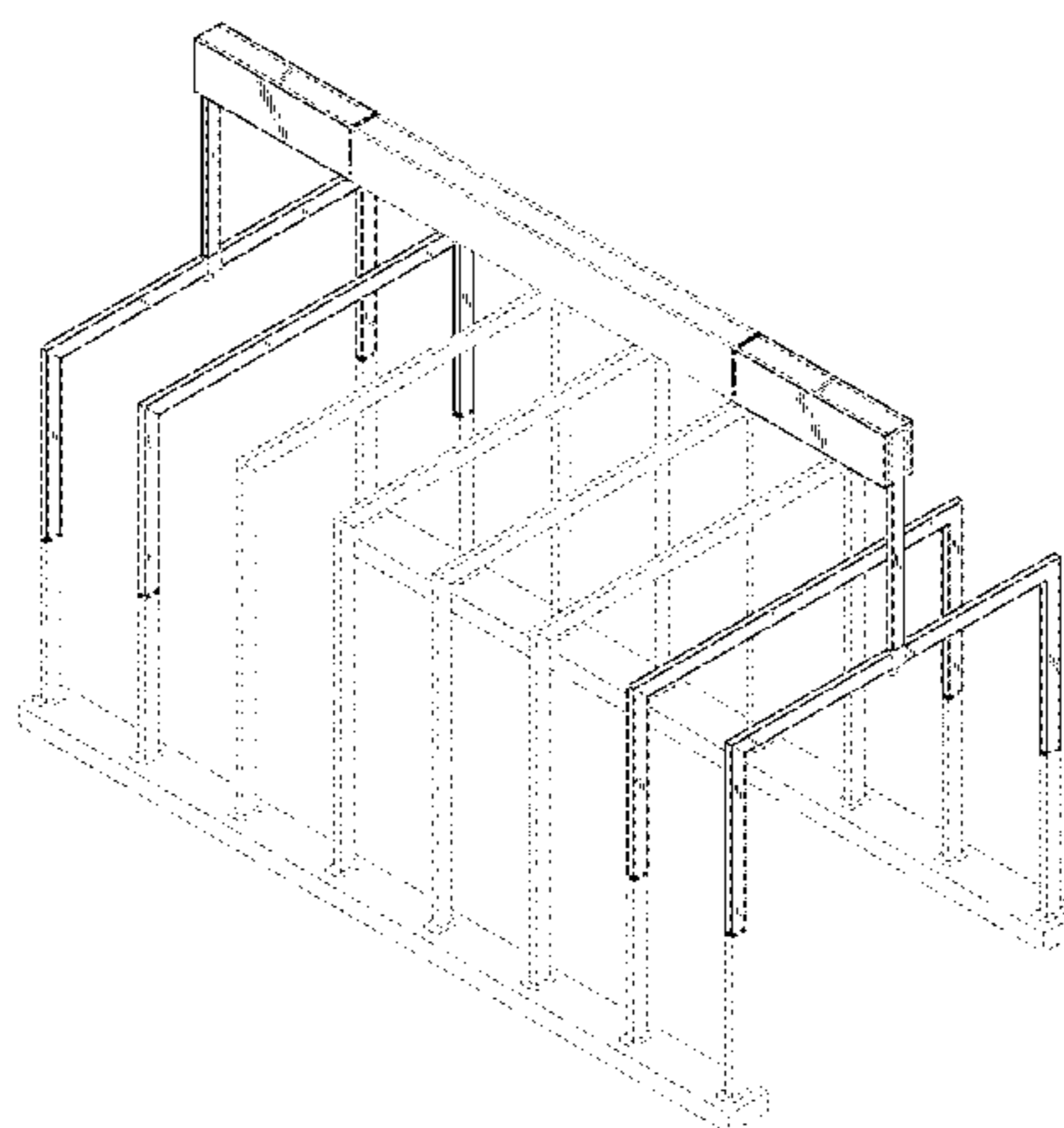
**U.S. PATENT DOCUMENTS**

288,616 A \* 11/1883 Boynton et al. .... A47G 25/12  
211/182  
479,894 A 8/1892 Moore  
680,965 A 8/1901 Distelhurst  
955,586 A 4/1910 Emerich  
1,019,983 A 3/1912 McGaughey  
1,020,331 A 3/1912 Taylor  
1,071,671 A 8/1913 McCurdy  
1,114,455 A 10/1914 Fisher  
1,373,781 A 4/1921 Wagner  
1,585,937 A \* 5/1926 Paul ..... A47F 7/30  
211/28  
1,605,285 A 11/1926 Rouse et al.  
D118,442 S \* 1/1940 Brown et al. .... D34/21  
3,185,306 A 5/1965 Delaney  
3,280,989 A \* 10/1966 Melvin ..... A47F 5/01  
108/59

**DESCRIPTION**

FIG. 1 is a front, perspective view of a product display fixture showing our new design;  
FIG. 2 is a front view thereof, the rear view being a mirror image of the front view;  
FIG. 3 is a right side view thereof, the left side view being a mirror image of the right side view; and,  
FIG. 4 is a top view thereof.  
In the drawings, a bottom view is omitted as bottom surfaces of the product display fixture are not claimed. The broken lines in the drawings depict unclaimed portions of the product display fixture and form no part of the claimed design. The long dash-short dash bolded broken lines indicate the bounds of the claimed design and otherwise form no part of the claimed design.

**1 Claim, 4 Drawing Sheets**



(56)

References Cited

U.S. PATENT DOCUMENTS

D288,266 S \* 2/1987 Campbell ..... D6/675.2  
 4,678,085 A \* 7/1987 Sando ..... A47F 7/30  
 211/162  
 4,705,178 A \* 11/1987 Vail, Sr. .... A47F 5/01  
 206/513  
 4,757,906 A \* 7/1988 Ovitz, III ..... A47F 7/16  
 211/120  
 D297,489 S \* 9/1988 Chap ..... D6/675.5  
 5,022,540 A \* 6/1991 Vail, Sr. .... A47F 5/01  
 206/513  
 5,111,940 A \* 5/1992 VanNoord ..... G11B 33/0461  
 211/162  
 D329,903 S \* 9/1992 Craig ..... D25/62  
 D329,954 S \* 10/1992 Sharon ..... D6/675.5  
 5,641,083 A \* 6/1997 Metcalf ..... A47B 57/045  
 108/1  
 D383,335 S \* 9/1997 Shanahan ..... D20/19  
 D421,062 S \* 2/2000 Goodman ..... D19/75  
 D421,273 S \* 2/2000 Goodman ..... D19/75  
 D421,351 S \* 3/2000 Kopala, Jr. .... D6/675.2  
 D437,710 S \* 2/2001 Guerra ..... D6/675  
 6,302,036 B1 \* 10/2001 Carson ..... A47F 1/12  
 108/107  
 D489,096 S \* 4/2004 Chen ..... D19/75  
 D534,374 S \* 1/2007 Wright ..... D6/566  
 7,246,711 B1 \* 7/2007 Metcalf ..... A47B 45/00  
 211/106.01  
 D571,578 S \* 6/2008 Ferrari ..... D6/682  
 D613,965 S \* 4/2010 Tertel ..... D6/675.5  
 7,806,283 B2 \* 10/2010 Metcalf ..... A47B 96/025  
 211/119  
 D668,889 S \* 10/2012 Theisen ..... D6/678.4  
 8,286,808 B1 \* 10/2012 Setlik ..... A47B 63/00  
 211/106.01  
 D690,540 S \* 10/2013 Dryden ..... D6/675.2  
 D704,483 S \* 5/2014 Dryden ..... D6/675.2  
 D717,371 S \* 11/2014 Tsai ..... D19/90  
 D719,610 S \* 12/2014 Tsai ..... D19/90  
 D723,141 S \* 2/2015 Furuno ..... D23/266  
 D750,921 S \* 3/2016 Kozak ..... D6/675.2  
 2007/0200035 A1 \* 8/2007 Chamberlain, III .. A47F 5/0025  
 248/121  
 2009/0065452 A1 \* 3/2009 Smith ..... B42F 17/12  
 211/11  
 2009/0065453 A1 \* 3/2009 Smith ..... B42F 7/12  
 211/11  
 2011/0187244 A1 \* 8/2011 Schachte ..... A47C 27/06  
 312/114  
 2013/0125435 A1 \* 5/2013 Keever ..... G09F 7/02  
 40/620

2013/0318715 A1 \* 12/2013 Ross ..... A47C 21/00  
 5/512  
 2014/0144808 A1 \* 5/2014 Anderson ..... B65D 5/68  
 206/736  
 2016/0000239 A1 \* 1/2016 Denby ..... A47F 7/30  
 211/28

OTHER PUBLICATIONS

“Fellowes Desktop Organizer”, printed from [www.amazon.com/Fellowes-Desktop-Organizer-Sections-72012/dp/B001B0DG6S](http://www.amazon.com/Fellowes-Desktop-Organizer-Sections-72012/dp/B001B0DG6S), publicly available at least as early as Dec. 21, 2009 (7 pages).  
 “Wholesale Case of 15—Fellowes Desk top Drawer Wire File Organizer”, printed from [www.amazon.com/Wholesale-CASE-15-Organizer-9-Organizer/dp/B00BX9PTKS](http://www.amazon.com/Wholesale-CASE-15-Organizer-9-Organizer/dp/B00BX9PTKS), publicly available at least as early as Mar. 20, 2013 (3 pages).  
 “Expanda Stand Mattress Racks”, printed from [www.tradeindia.com/fp653690/Cycle-Carpet-Mattress-Racks.html](http://www.tradeindia.com/fp653690/Cycle-Carpet-Mattress-Racks.html), publicly available at least as early as Jan. 4, 2012, per <http://web.archive.org> (2 pages).  
 “Showroom Fixtures Mattress Display”, printed from [www.leggett.com](http://www.leggett.com), publicly available at least as early as Mar. 18, 2015 (1 page).  
 Image of Mattress Stand, printed from [www.bossmetalfab.com/produces\\_gallery/products/mattress](http://www.bossmetalfab.com/produces_gallery/products/mattress), publicly available at least as early as Mar. 18, 2015 (1 page).  
 “Steelmaster Wire Desktop Organizer”, printed from [www.wayfairsupply.com/MMF-Industries-Steelmaster-Wire-Desktop-Organizer-MMF264404-UGU1139.html](http://www.wayfairsupply.com/MMF-Industries-Steelmaster-Wire-Desktop-Organizer-MMF264404-UGU1139.html), publicly available at least as early as Mar. 18, 2015 (3 pages).  
 “Mattress Display Rack”, printed from [www.trolleymanplus.co.uk/?page=products&trm\\_group=3](http://www.trolleymanplus.co.uk/?page=products&trm_group=3), publicly available at least as early as Mar. 18, 2015 (1 page).  
 Jaken Cantilever Rack, found online at <http://www.cssyes.com/PDF/Jaken-Brouchure/Heavy-Duty-Cantilever-Rack-619-255-1428.pdf>, available at least as of May 27, 2014 (3 pages).  
 Jarke Button-On Cantilever Rack Components, found online at <http://www.industrialsupplies.com/storage-solutions/racks/d-152070-152070-191360>, available at least as of May 27, 2014 (3 pages).  
 EC Retail Studio Bedding/Furniture Fixture Offerings, found online at <http://www.ecretailstudio.com/fixtures.html>, available at least as of Oct. 16, 2013 (2 pages).  
 Photograph of pillow center by Wright Global Graphic Solutions, found online at <http://www.wrightglobalgraphics.com/slides-retail.html>, available at least as of Oct. 16, 2013 (1 page).  
 Photograph of sleep center by Wright Global Graphic Solutions, found online at <http://www.wrightglobalgraphics.com/slides-retail.html>, available at least as of Oct. 16, 2013 (1 page).

\* cited by examiner

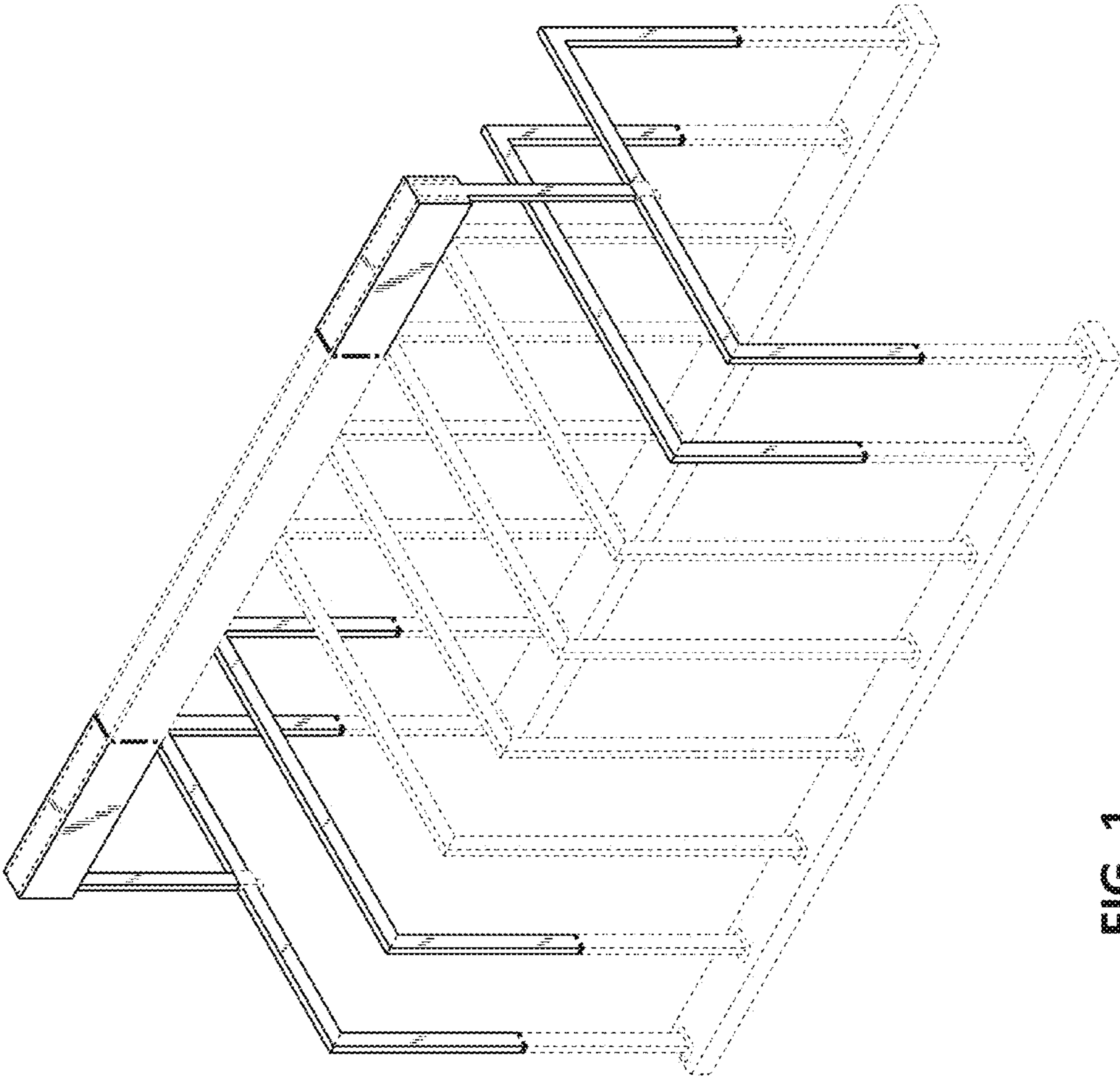


FIG. 1

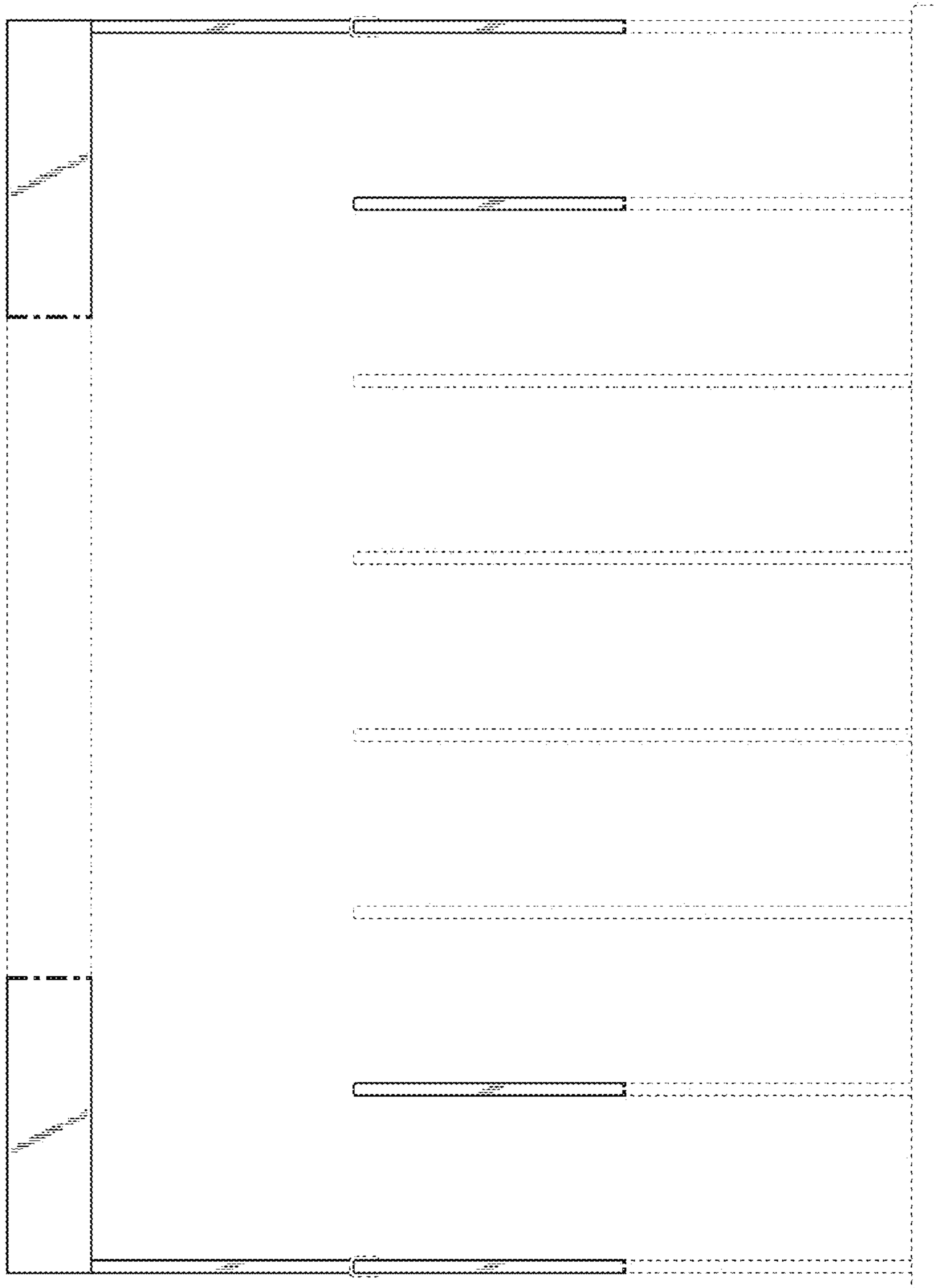


FIG. 2

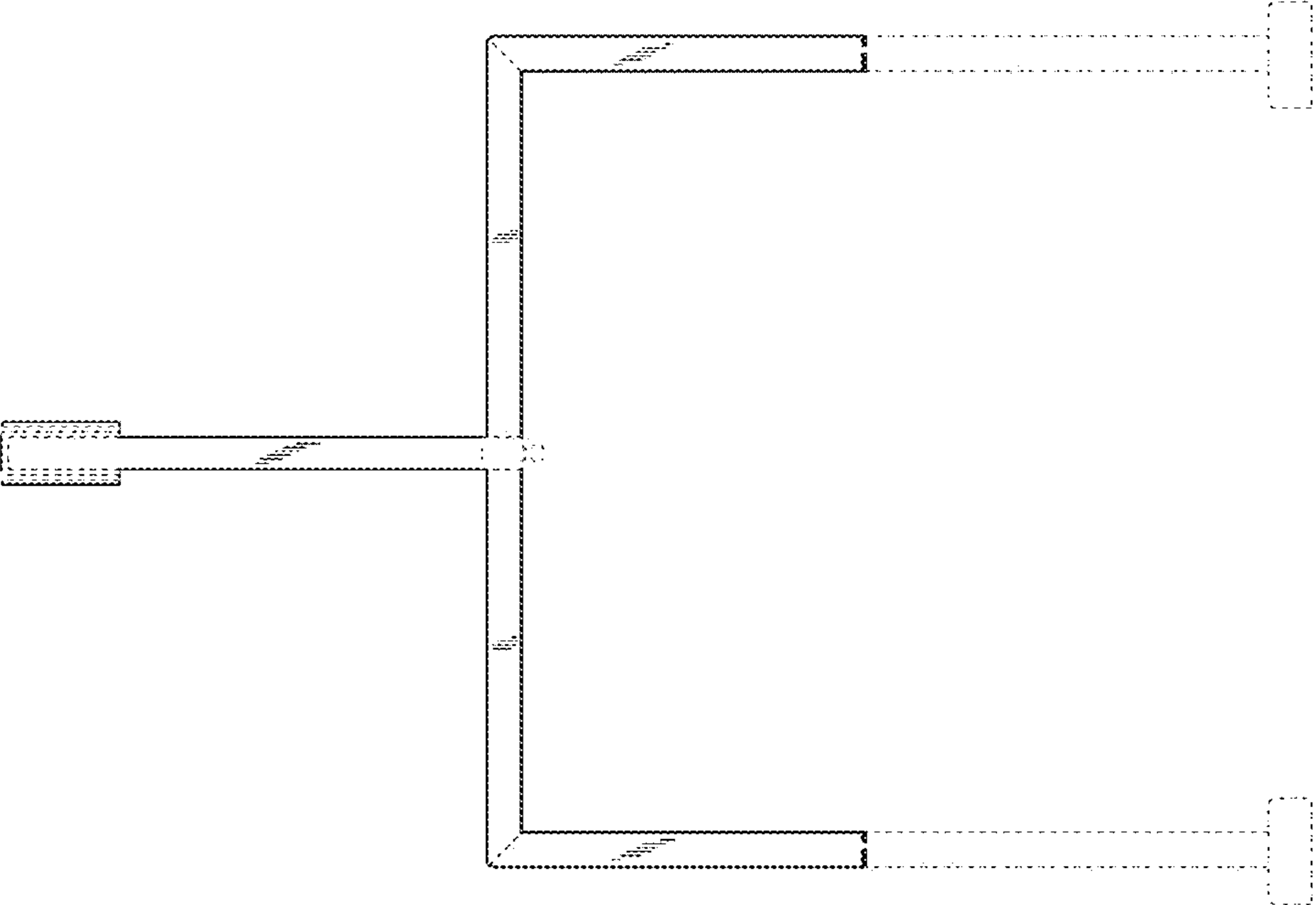


FIG. 3

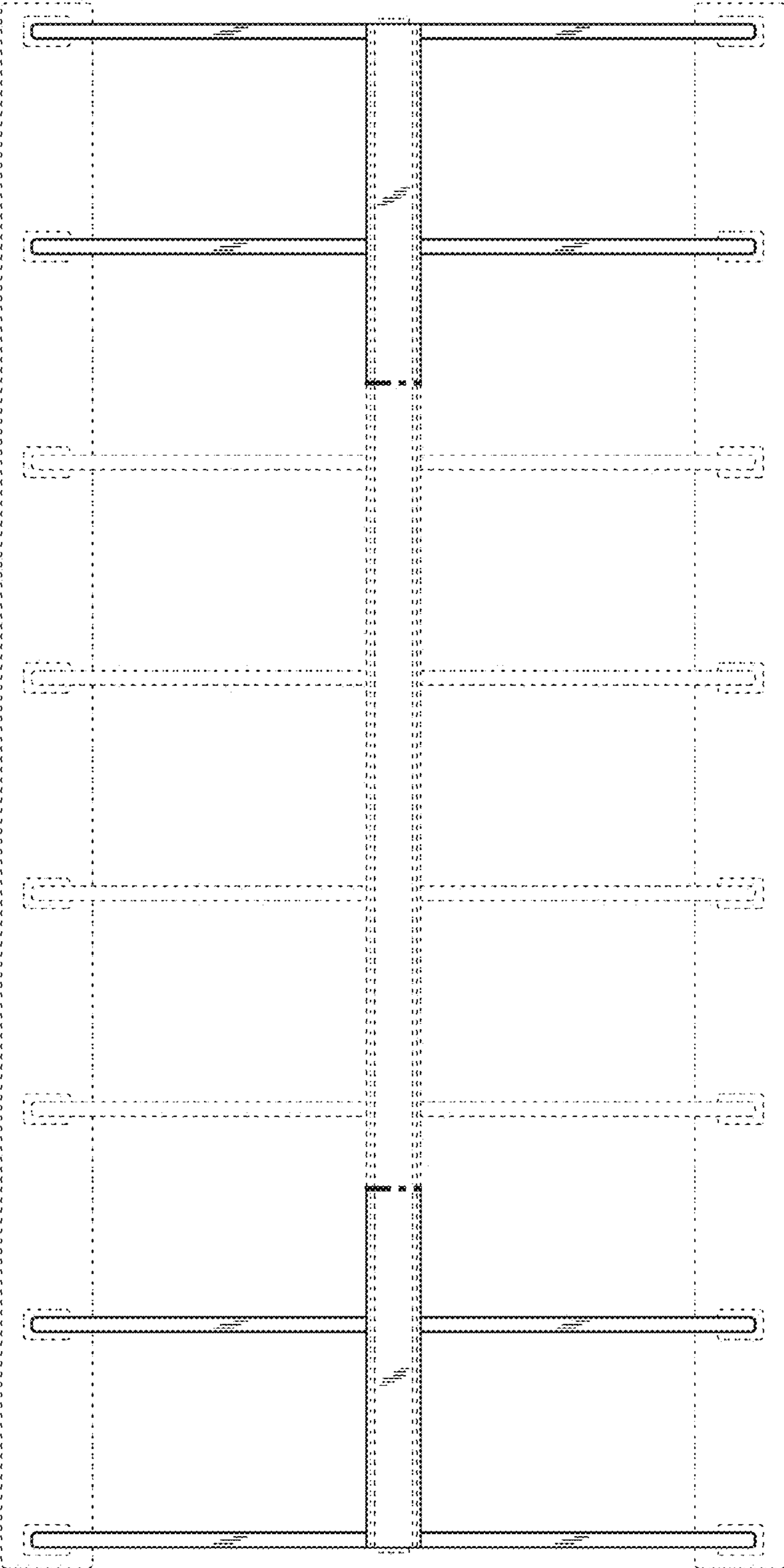


FIG. 4