



US00D759402S

(12) **United States Design Patent**  
**Thomas**

(10) **Patent No.:** **US D759,402 S**  
(45) **Date of Patent:** **\*\* Jun. 21, 2016**

(54) **STADIUM SEAT CUSHION**  
(71) Applicant: **Arete Lyseis, LLC**, Beaverton, OR (US)  
(72) Inventor: **Matthew Dean Thomas**, Beaverton, OR (US)  
(73) Assignee: **Arete Lyseis, LLC**, Beaverton, OR (US)  
(\*\*) Term: **14 Years**  
(21) Appl. No.: **29/489,630**

4,930,171 A 6/1990 Frantz  
D329,566 S \* 9/1992 Davidson, Jr. .... D6/601  
5,160,785 A \* 11/1992 Davidson, Jr. .... A47C 27/146  
297/DIG. 1  
D375,863 S \* 11/1996 Bigolin ..... D6/596  
5,855,415 A 1/1999 Lilley  
5,921,626 A 7/1999 Baker  
6,009,578 A 1/2000 Davis  
D441,587 S 5/2001 Cameron  
6,357,829 B1 3/2002 Hanke  
D474,637 S 5/2003 Scheetz  
6,588,840 B1 7/2003 Lombardo

(Continued)

(22) Filed: **May 1, 2014**  
(51) **LOC (10) Cl.** ..... **06-09**  
(52) **U.S. Cl.**  
USPC ..... **D6/601**  
(58) **Field of Classification Search**  
USPC ..... D6/595-601, 604; D24/183; D21/803,  
D21/804  
CPC ..... A47C 7/021; A47C 7/383; A47C 7/428;  
A47C 7/546; A47C 16/00; A47C 20/00;  
A47C 20/02; A47C 20/021; A47C 20/026;  
A47C 20/027; A47G 9/10; A47G 9/1027;  
A47G 9/1045; A47G 9/1054; A47G 9/1063;  
A47G 9/1072; A47G 9/1081; A47G 9/109;  
A47D 13/00; A47D 13/08  
See application file for complete search history.

**FOREIGN PATENT DOCUMENTS**

AU 2012100007 B4 7/2012  
WO WO2007007211 A3 7/2007  
WO WO2012170872 A3 4/2013

**OTHER PUBLICATIONS**

Rogers Foam ([www.rogersfoam.com/materials/foam/](http://www.rogersfoam.com/materials/foam/)), retrieved from archive.org (<http://web.archive.org/web/20131127023338/http://www.rogersfoam.com/materials/foam/>), Nov. 27, 2013.

(Continued)

*Primary Examiner* — Mary Ann Calabrese  
(74) *Attorney, Agent, or Firm* — Fish & Richardson P.C.

(57) **CLAIM**  
The ornamental design for a stadium seat cushion, substantially as shown and described.

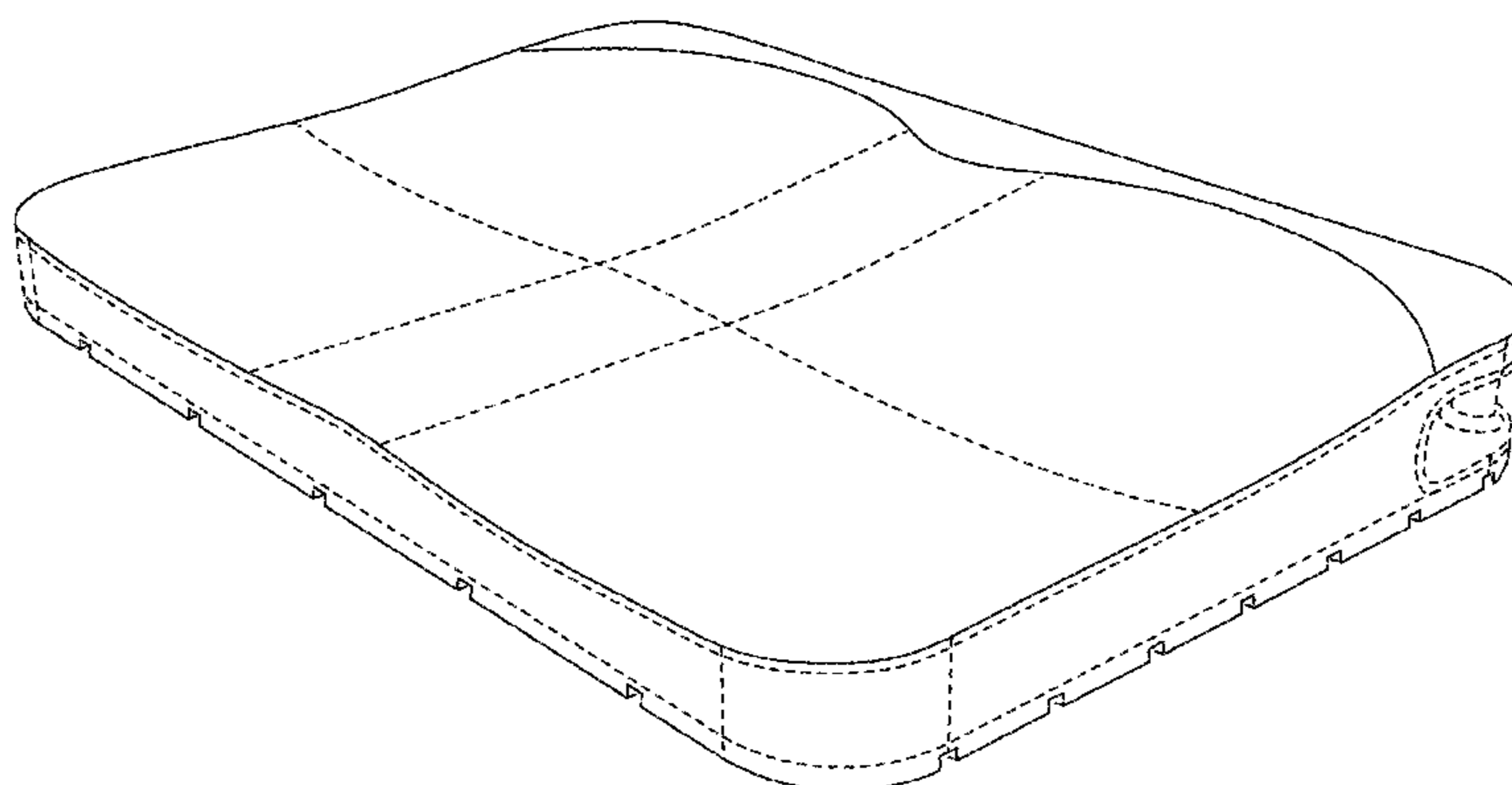
(56) **References Cited**  
U.S. PATENT DOCUMENTS

2,082,151 A \* 6/1937 Poix ..... B60N 2/707  
267/145  
2,387,319 A 10/1945 Evans  
3,280,410 A \* 10/1966 Propst ..... A47C 4/54  
267/117  
3,393,012 A \* 7/1968 Chancellor, Jr. .... A47C 7/022  
297/452.51  
3,512,190 A \* 5/1970 Buff ..... A47C 27/146  
297/452.48  
3,606,777 A 9/1971 Watson  
4,660,238 A 4/1987 Jay  
4,689,829 A 9/1987 Kaplan  
RE32,734 E 8/1988 McLeod

**DESCRIPTION**

FIG. 1 is a perspective view of the stadium seat cushion featuring a contoured top face and a bottom edge with a pattern outline showing my new design.  
FIG. 2 is an alternate perspective view showing the bottom surface; and,  
FIG. 3 is a top plan view.  
The broken lines shown in the figures form no part of the claimed design.

**1 Claim, 3 Drawing Sheets**



(56)

**References Cited**

U.S. PATENT DOCUMENTS

6,652,034	B1	11/2003	Schramm	
6,918,146	B2	7/2005	England	
7,070,231	B1	7/2006	Wong	
7,114,776	B1	10/2006	Wiltberger	
D540,097	S	4/2007	Gebbia	
7,574,760	B2	8/2009	Foley	
7,695,069	B2 *	4/2010	Prust .....	A47C 7/74 297/452.45
7,774,880	B1	8/2010	Botts	
7,929,297	B2	4/2011	Chen	
8,032,949	B1	10/2011	Matthews	
8,199,492	B2	6/2012	Liang	
8,209,804	B2	7/2012	Apperson	
8,696,059	B2	4/2014	Carmichael	
D705,533	S	5/2014	Tunney	
D738,644	S *	9/2015	Reynolds .....	D6/601
2006/0031994	A1 *	2/2006	Willat .....	A61B 17/2841 5/655.5
2006/0185093	A1	8/2006	Yu	
2007/0275827	A1	11/2007	Glaser	
2007/0277352	A1	12/2007	Maron	

2008/0122267	A1	5/2008	Larson	
2010/0146706	A1 *	6/2010	Siegner .....	A61G 1/04 5/626
2013/0257112	A1	10/2013	Smith	
2014/0130265	A1	5/2014	Lauer	
2015/0108802	A1	4/2015	Krishtul	

OTHER PUBLICATIONS

International Application No. PCT/US2015/028640, Notification of Transmittal of the International Search Report and the Written Opinion of the International Searching Authority, mailed Jul. 2, 2015, 10 pages.

Office Action Summary in U.S. Appl. No. 14/266,756, dated Feb. 2, 2016, 10 pages.

U.S. Appl. No. 14/266,756, Reply to Action of Aug. 21, 2015, filed Nov. 19, 2015, 6 pages.

Office Action Summary in U.S. Appl. No. 14/266,756, dated Aug. 21, 2015, 18 pages.

U.S. Appl. No. 14/266,756, filed Apr. 30, 2014, entitled "Portable Composite Seat", 19 pages.

\* cited by examiner

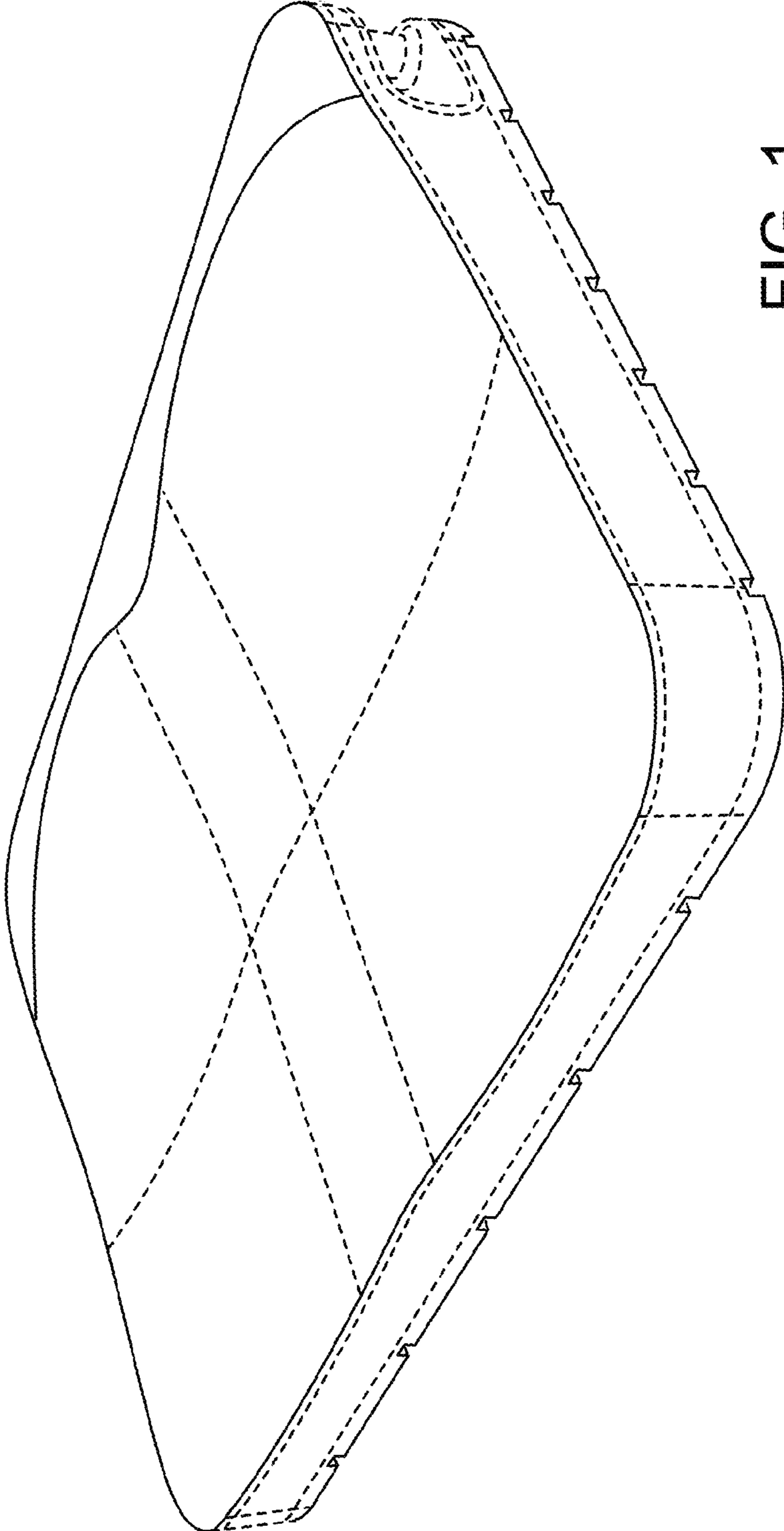


FIG. 1

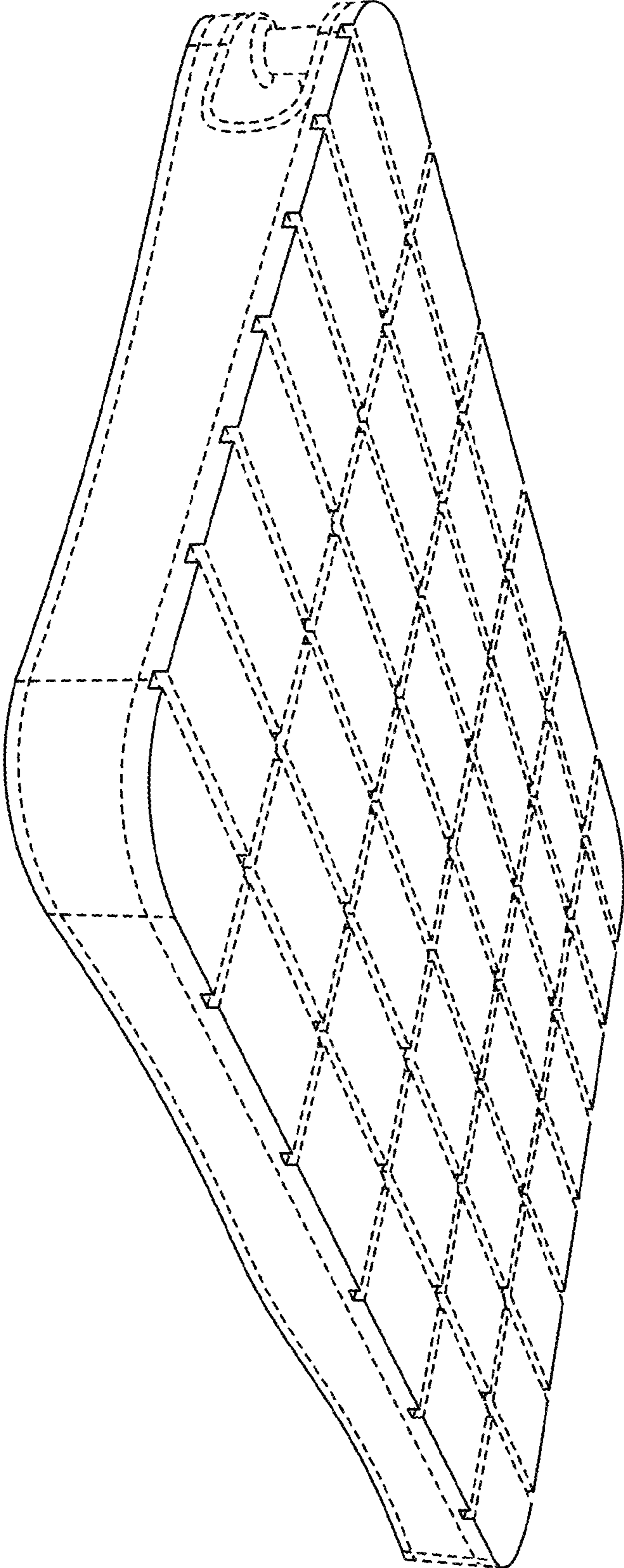


FIG. 2

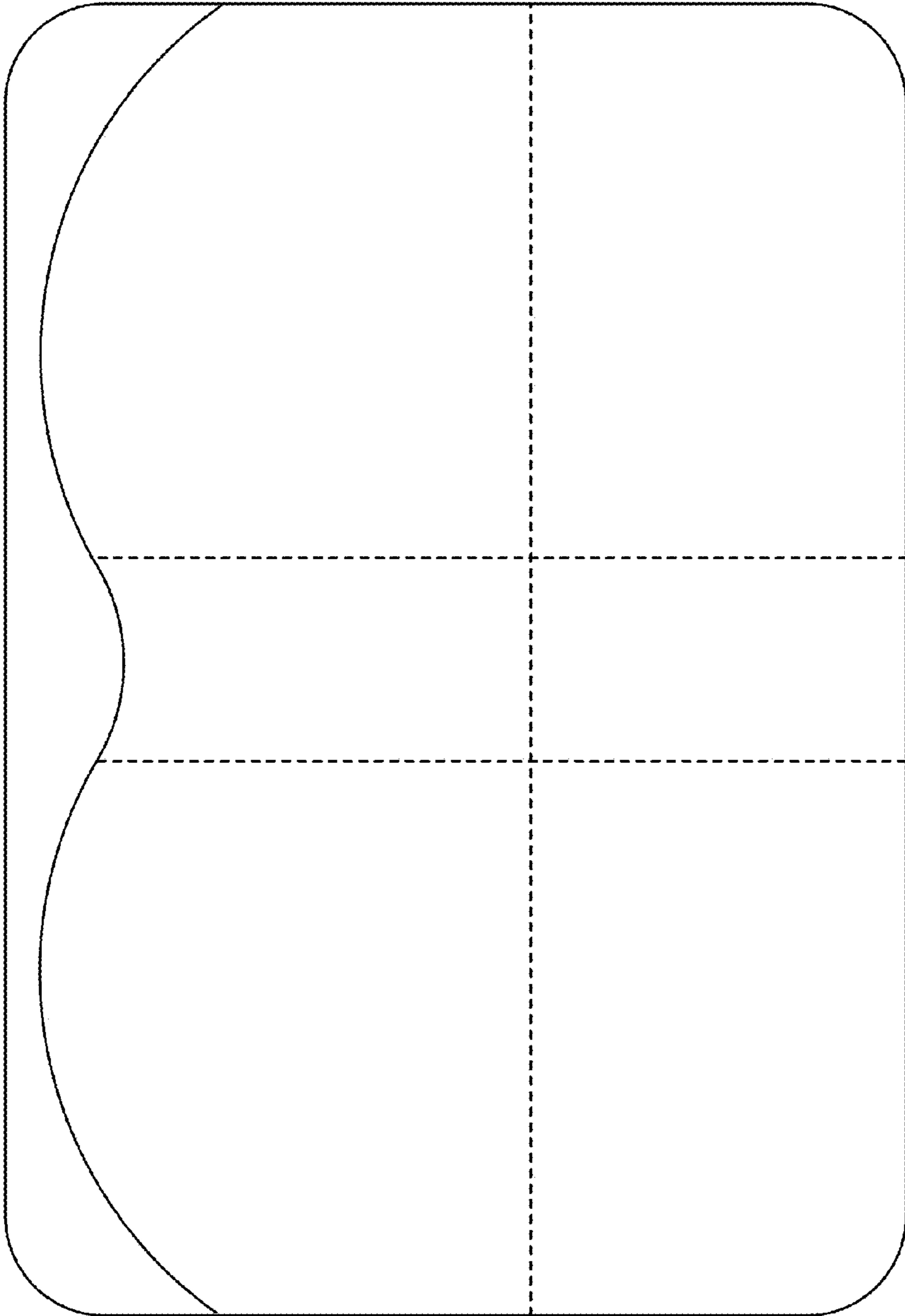


FIG. 3