



US00D759400S

(12) **United States Design Patent**
Watkins

(10) **Patent No.:** **US D759,400 S**
(45) **Date of Patent:** **** Jun. 21, 2016**

(54) **HEADRAIL FOR ROLLER WINDOW SHADES**

(71) Applicant: **Comfortex Window Fashions,**
Maplewood, NY (US)

(72) Inventor: **Richard Watkins,** Lake Luzerne, NY
(US)

(73) Assignee: **Comfortex Window Fashions,**
Maplewood, NY (US)

(**) Term: **14 Years**

(21) Appl. No.: **29/480,752**

(22) Filed: **Jan. 29, 2014**

(51) **LOC (10) Cl.** **06-10**

(52) **U.S. Cl.**
USPC **D6/580**

(58) **Field of Classification Search**
USPC D6/575, 576, 577, 578, 579, 580, 581;
D8/349, 352, 353, 368, 369, 376;
160/84.01, 84.02, 84.03, 84.04, 84.05,
160/84.06, 84.07, 84.08, 107, 108, 111,
160/113, 130, 133
CPC E06B 3/30; E06B 9/00; E06B 9/02;
E06B 9/24; E06B 9/262; A47H 1/00; A47H
1/02; A47H 21/00; A47H 23/00; A47H 23/02;
A47H 23/04; A47H 2001/0205; A47H
2023/025

See application file for complete search history.

(56) **References Cited**

U.S. PATENT DOCUMENTS

D355,093 S * 2/1995 Morris D6/577
D355,094 S * 2/1995 Josephson D6/577
D361,010 S * 8/1995 Hebsgaard D6/575
D385,449 S * 10/1997 Morris D6/580
D439,461 S * 3/2001 Brunell D6/580
D480,250 S * 10/2003 Nainee D6/580
D486,340 S * 2/2004 Sudano D6/577
D489,209 S * 5/2004 Goldberg D25/119

D497,758 S * 11/2004 Goldberg D25/119
D522,297 S * 6/2006 Miller D6/580
D524,085 S * 7/2006 Miller D6/580
D530,967 S * 10/2006 Smith D6/580
D542,067 S * 5/2007 Watkins D6/580
D542,068 S * 5/2007 Watkins D6/580
D546,104 S * 7/2007 Miller D6/580
D554,422 S * 11/2007 Lin D6/580
D567,002 S * 4/2008 Allsopp D6/580
D595,078 S * 6/2009 Kollman D6/580
D600,484 S * 9/2009 Anderson D6/580
D633,320 S * 3/2011 Brace D6/580
D680,357 S * 4/2013 Wills D6/580

(Continued)

Primary Examiner — Karen S Acker

Assistant Examiner — Wendy Arminio

(74) *Attorney, Agent, or Firm* — Hoffman Warnick LLC

(57) **CLAIM**

The ornamental design for a headrail for roller window shades, as shown and described.

DESCRIPTION

FIG. 1 is a perspective view of a headrail for roller window shades of the present design.

FIG. 2 is a plan view thereof.

FIG. 3 is a front view thereof.

FIG. 4 is a side view thereof.

FIG. 5 is a back view thereof.

FIG. 6 is a bottom view thereof.

FIG. 7 is a perspective view of the headrail for roller window shades shown in a position of use fully assembled with unclaimed brackets.

FIG. 8 is a plan view thereof.

FIG. 9 is a front view thereof.

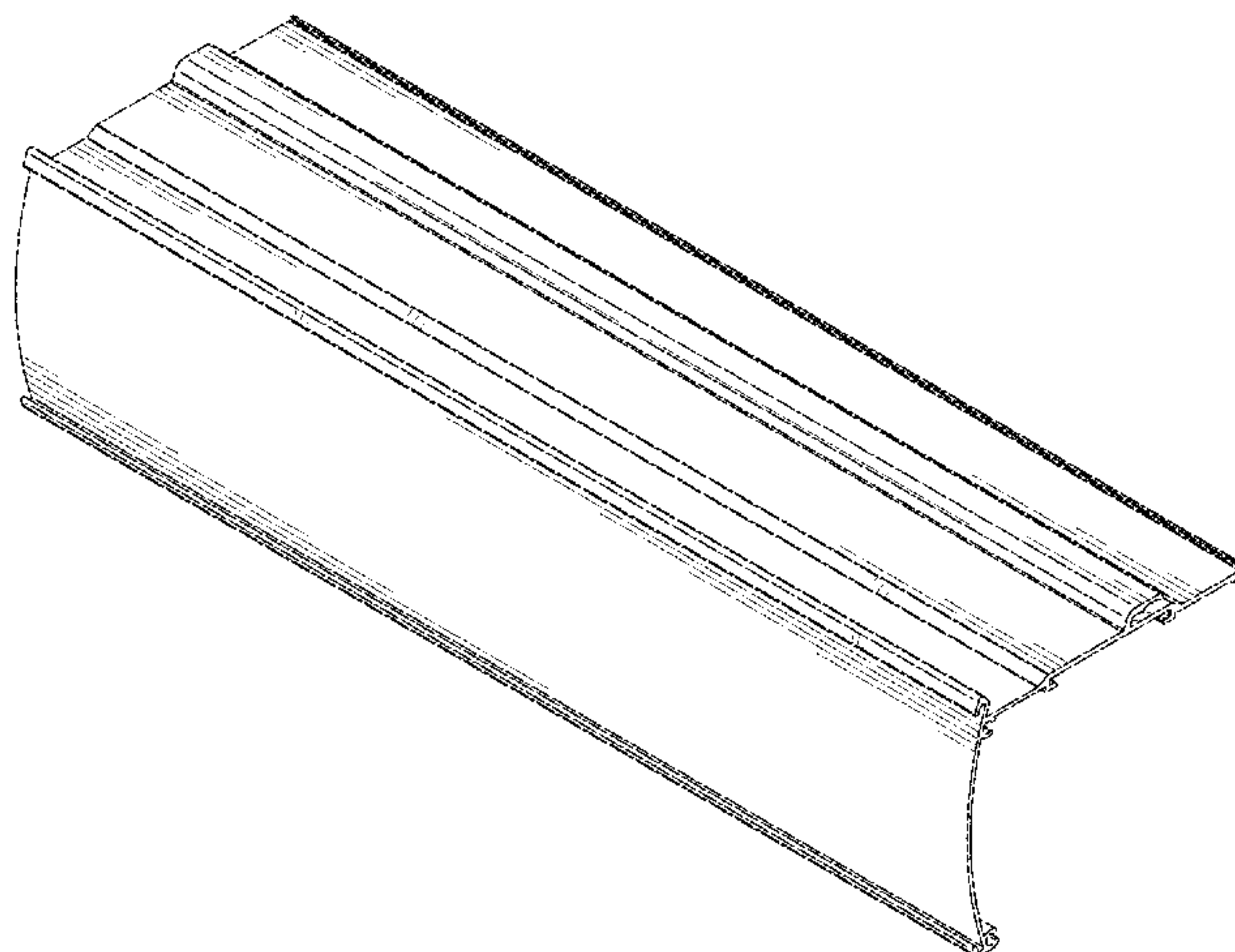
FIG. 10 is a side view thereof.

FIG. 11 is a back view thereof; and,

FIG. 12 is a bottom view thereof.

The broken lines in the figures depict environmental subject matter that forms no part of the claimed design.

1 Claim, 8 Drawing Sheets



US D759,400 S

Page 2

(56)

References Cited

U.S. PATENT DOCUMENTS

D699,976 S * 2/2014 Chou D6/580
D724,153 S * 3/2015 Sacks D20/44

D687,248 S * 8/2013 Huston D6/580 * cited by examiner

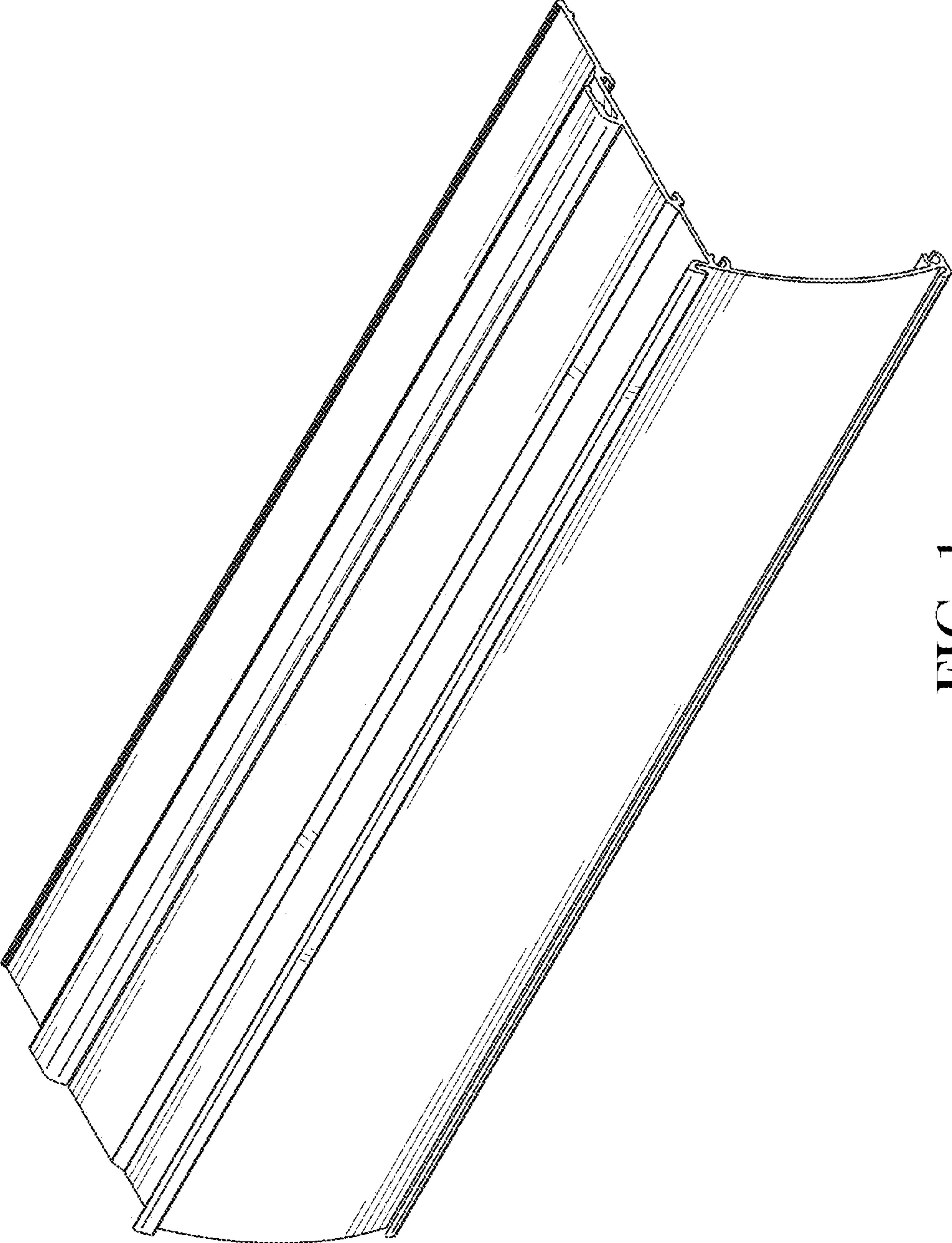


FIG. 1

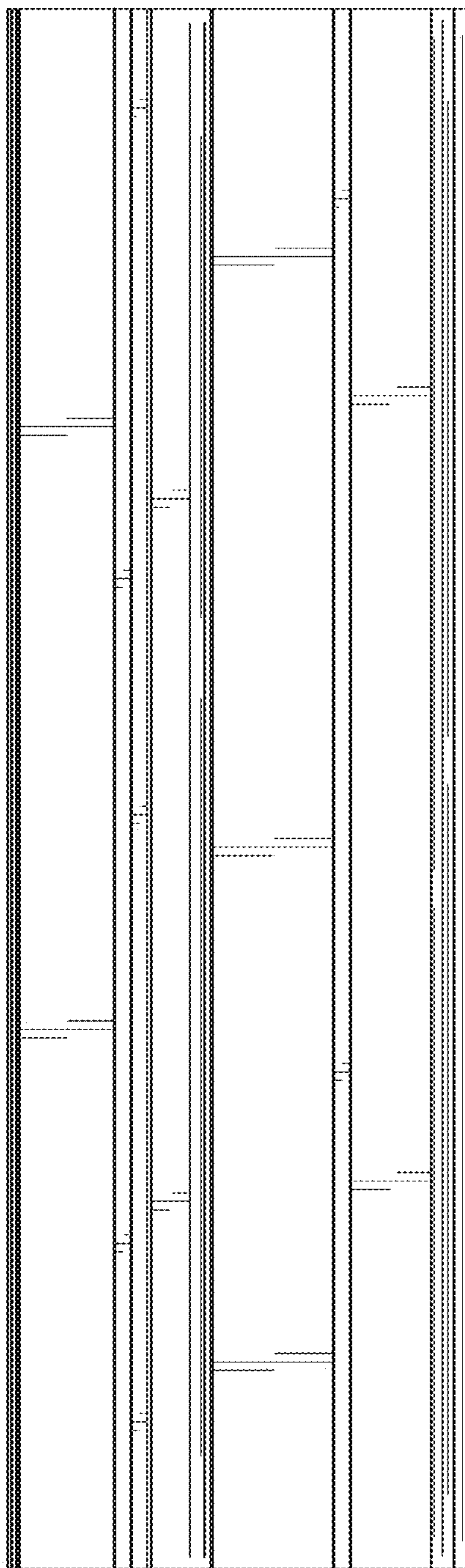


FIG. 2

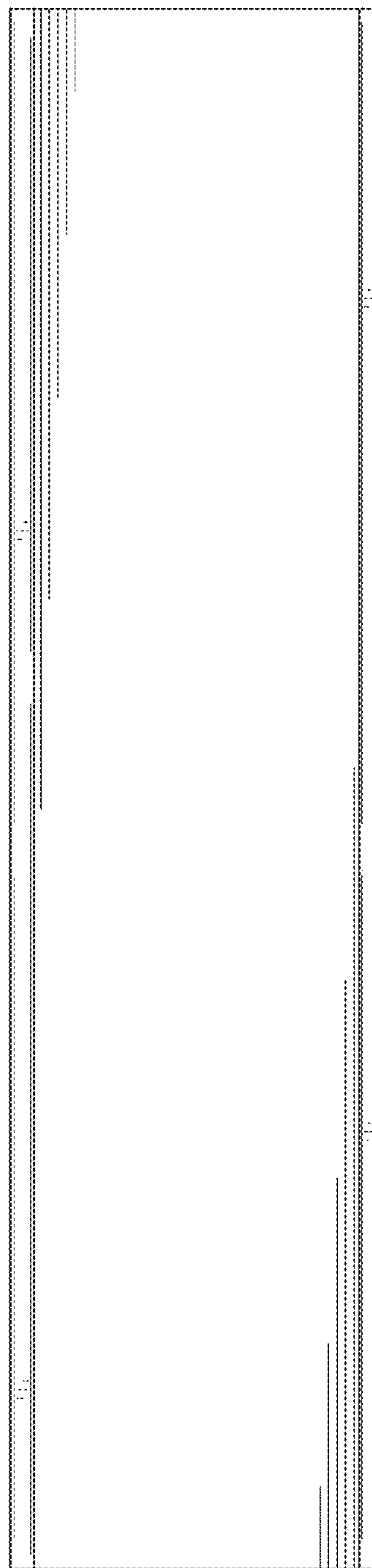


FIG. 3

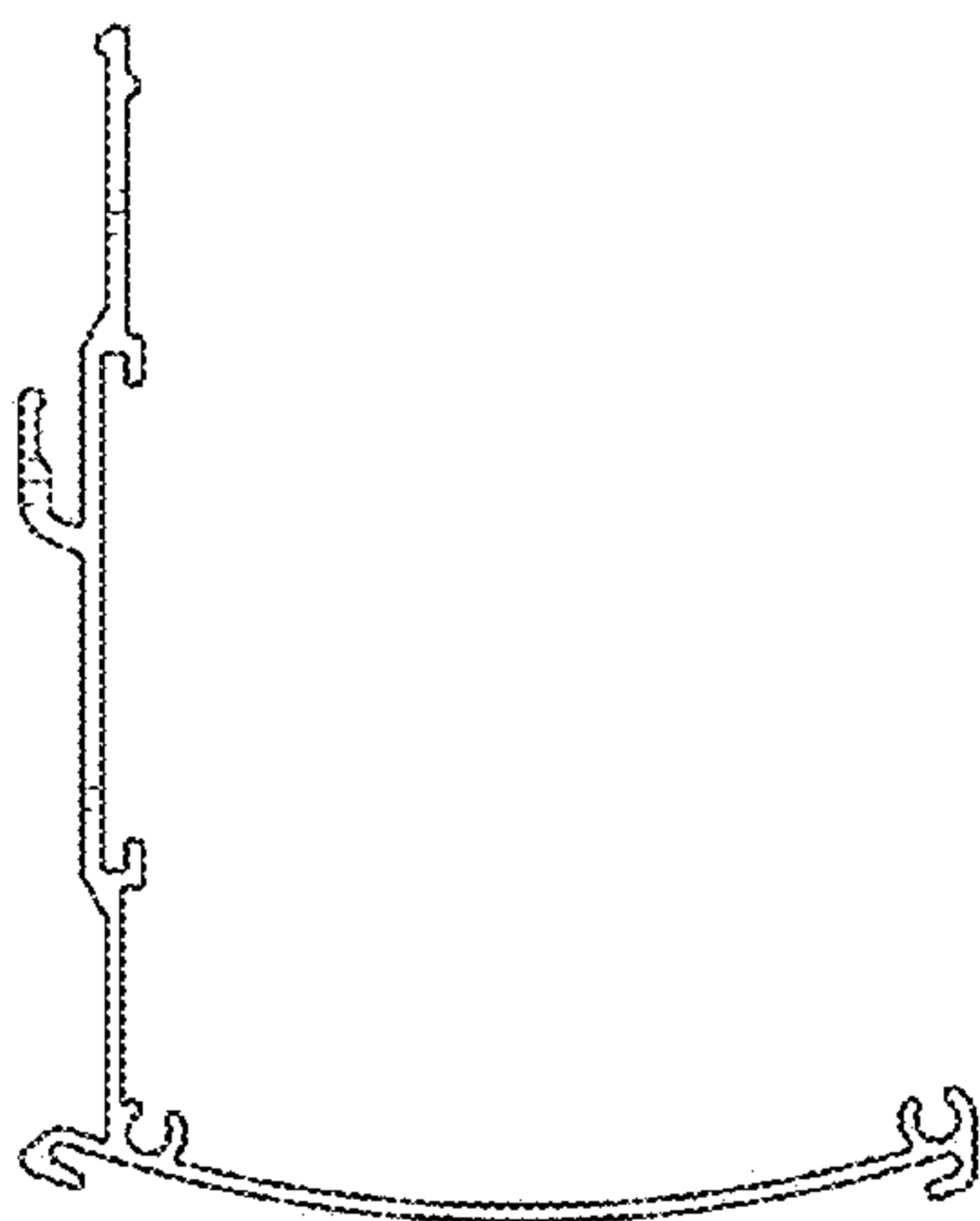


FIG. 4

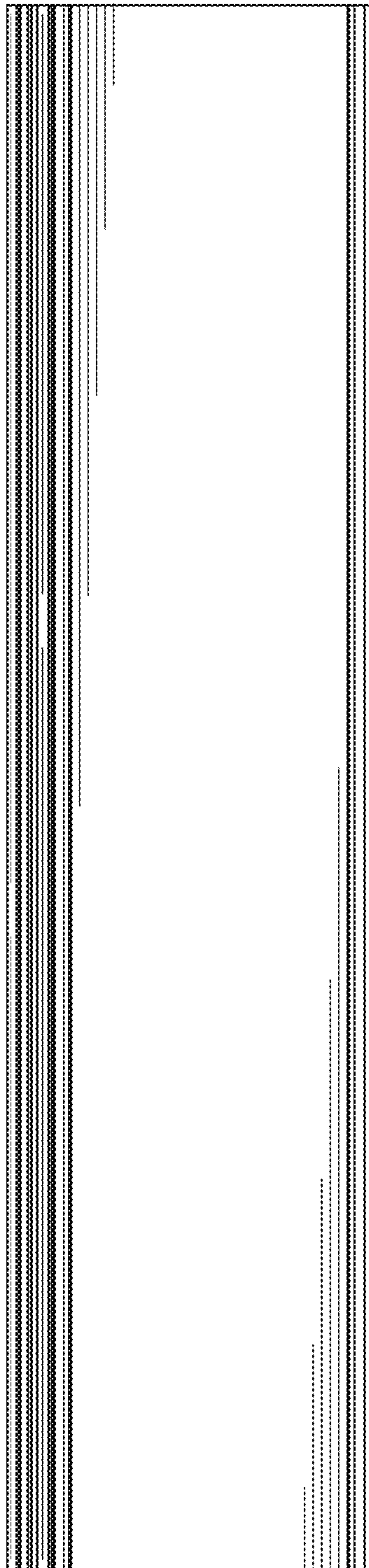


FIG. 5

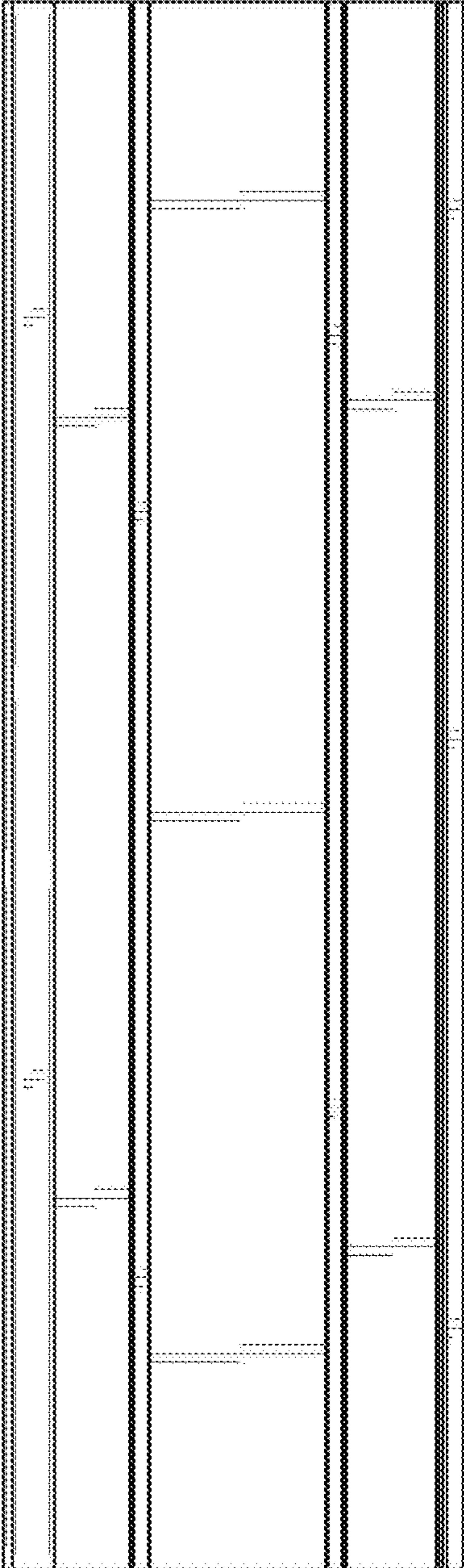


FIG. 6

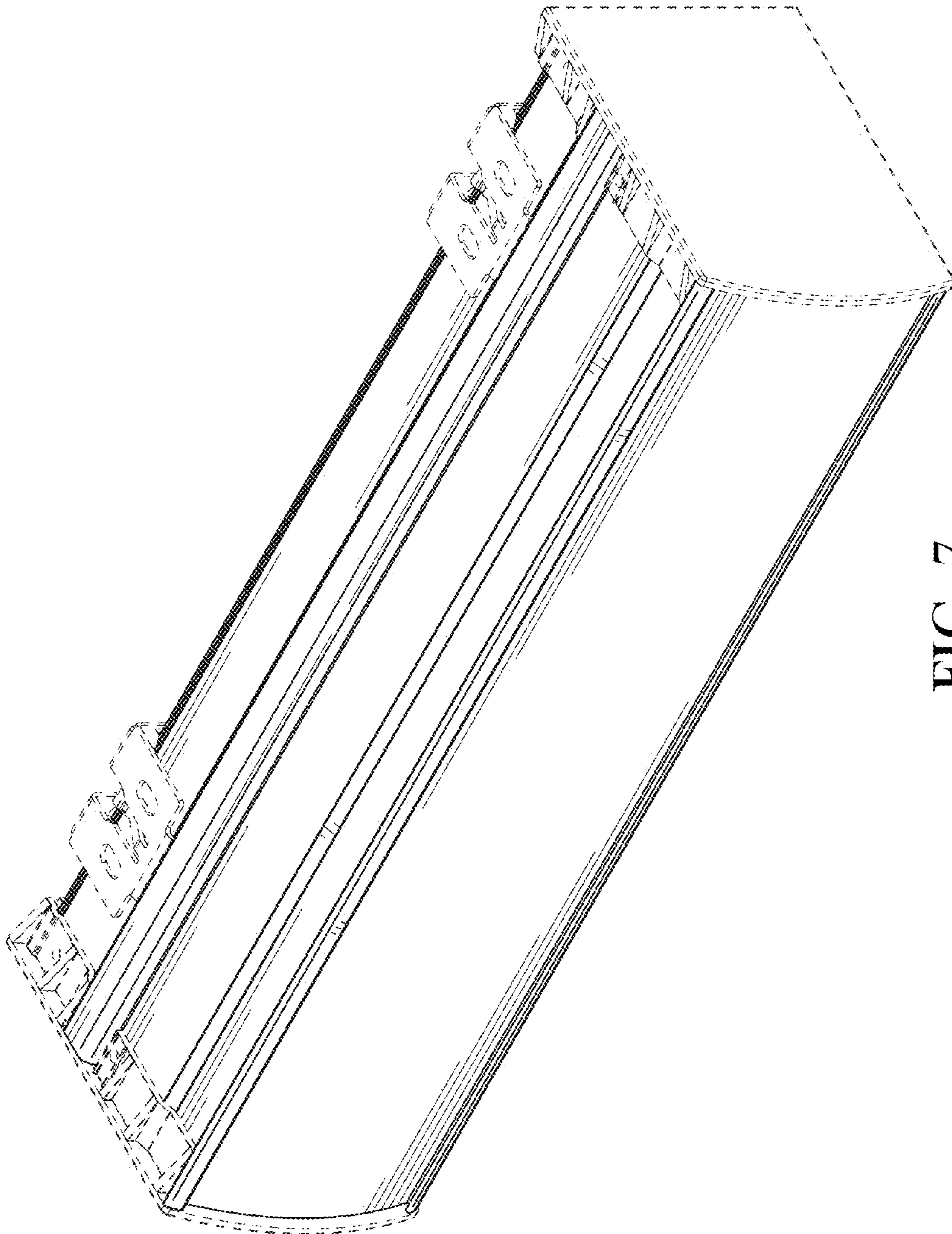


FIG. 7

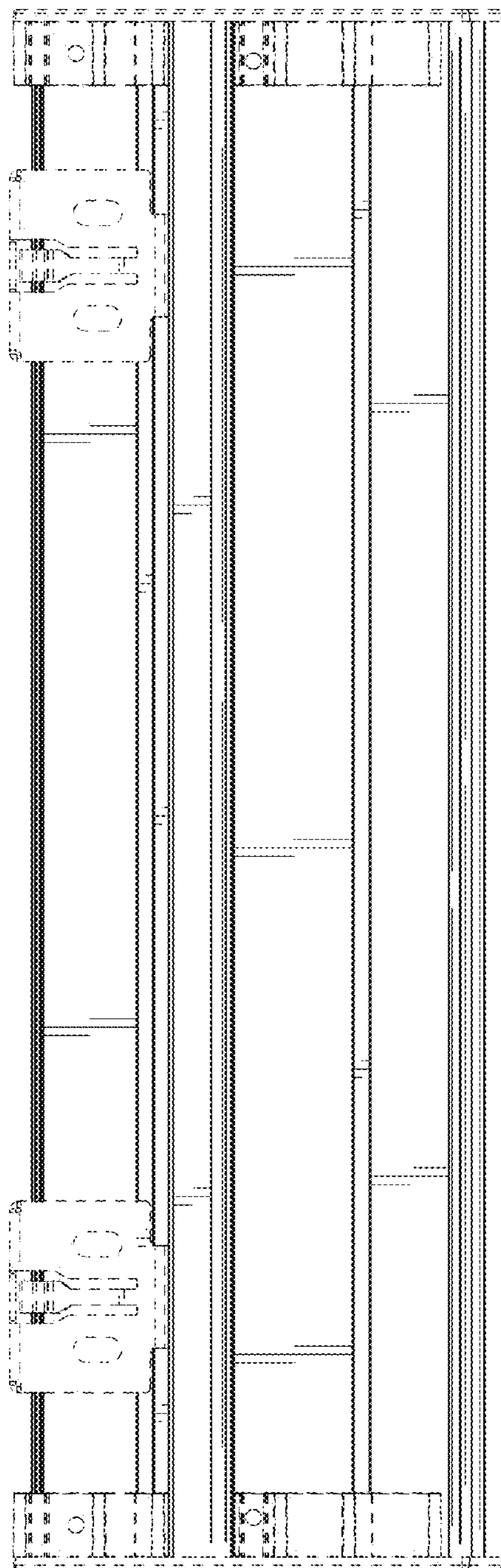


FIG. 8

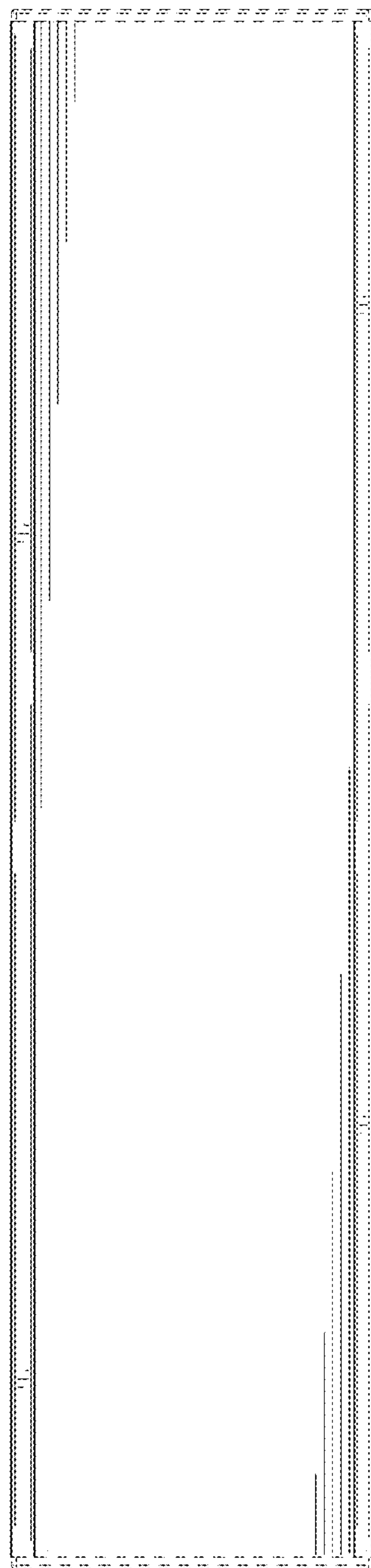


FIG. 9

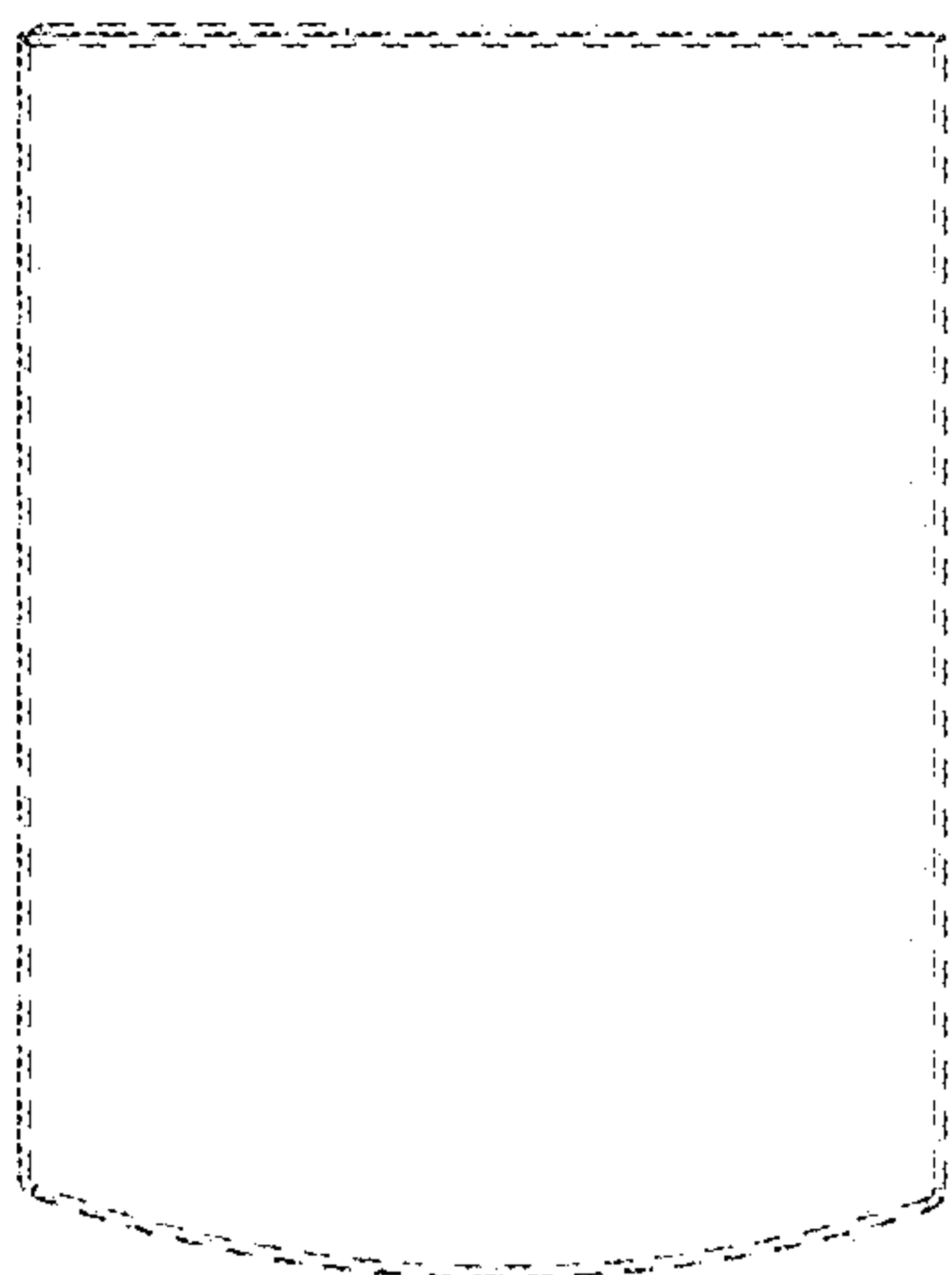


FIG. 10

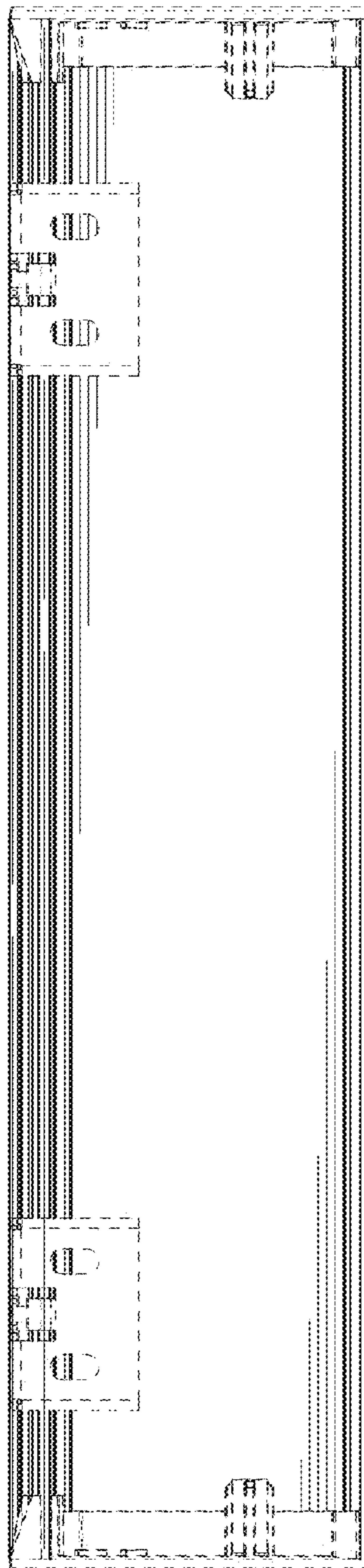


FIG. 11

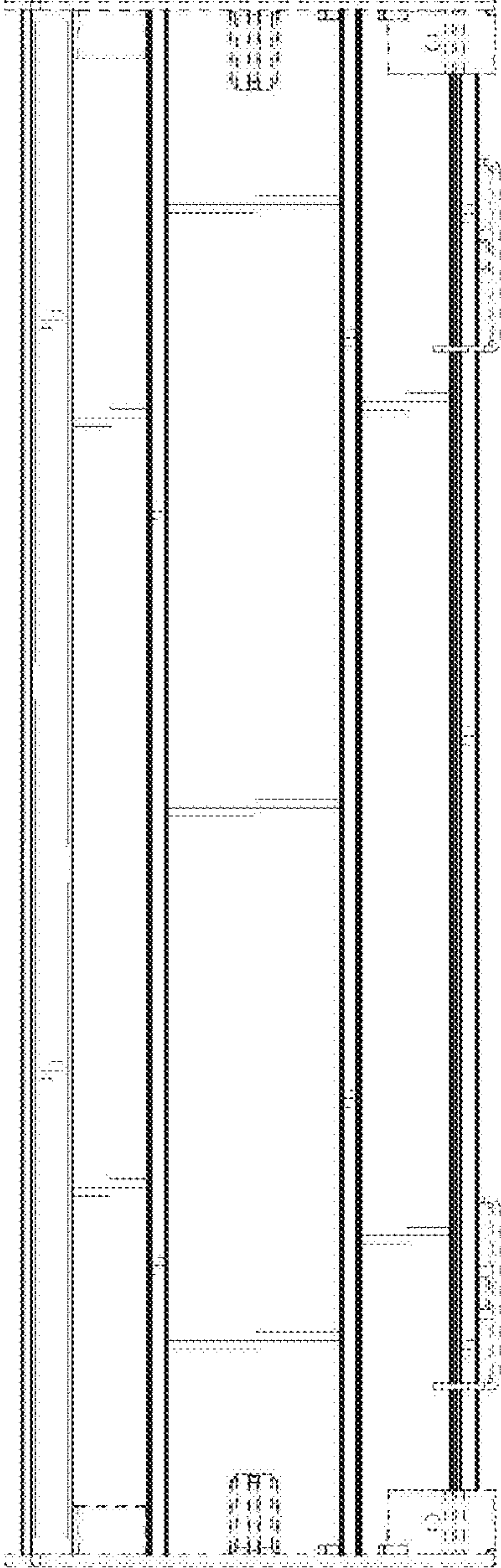


FIG. 12