



US00D759399S

(12) **United States Design Patent**
Tachikawa et al.

(10) **Patent No.:** **US D759,399 S**
(45) **Date of Patent:** **** Jun. 21, 2016**

(54) **PLEATED CURTAIN**

5,205,334 A * 4/1993 Judkins 160/89
5,222,540 A * 6/1993 Varga 160/222
D353,504 S * 12/1994 Collins et al. D6/580

(71) Applicant: **Tachikawa Corporation**, Tokyo (JP)

(Continued)

(72) Inventors: **Kouji Tachikawa**, Tokyo (JP); **Yoshihiro Takayama**, Tokyo (JP)

Primary Examiner — Karen S Acker
Assistant Examiner — Wendy Arminio

(73) Assignee: **Tachikawa Corporation**, Tokyo (JP)

(74) *Attorney, Agent, or Firm* — Christensen O'Connor Johnson Kindness PLLC

(**) Term: **14 Years**

(57) **CLAIM**

The ornamental design for a pleated curtain, as shown and described.

(21) Appl. No.: **29/470,927**

DESCRIPTION

(22) Filed: **Oct. 25, 2013**

(30) **Foreign Application Priority Data**

Apr. 26, 2013 (JP) 2013-009488
Apr. 26, 2013 (JP) 2013-009489
Apr. 26, 2013 (JP) 2013-009490
Apr. 26, 2013 (JP) 2013-009491
May 2, 2013 (JP) 2013-009911
May 2, 2013 (JP) 2013-009912

FIG. 1 is a top front right perspective view of a pleated curtain showing our new design;

FIG. 2 is a front elevation view thereof;

FIG. 3 is a rear elevation view thereof;

FIG. 4 is a top plan view thereof;

FIG. 5 is a bottom plan view thereof;

FIG. 6 is a right side elevation view thereof;

FIG. 7 is a left side elevation view thereof;

FIG. 8 is an enlarged detail view of area 8 circumscribed within FIG. 1;

FIG. 9 is an enlarged detail view of area 9 circumscribed within FIG. 2;

FIG. 10 is an enlarged detail view of area 10 circumscribed within FIG. 3;

FIG. 11 is an enlarged detail view of area 11 circumscribed within FIG. 7;

FIG. 12 is a cross-sectional view taken along line 12-12 of FIG. 9;

FIG. 13 is a cross-sectional view taken along line 13-13 of FIG. 9;

FIG. 14 is a cross-sectional view taken along line 14-14 of FIG. 9; and,

FIG. 15 is an enlarged detail view of area 15 circumscribed within FIG. 12.

The dash-dash broken lines shown in the drawings illustrate environmental subject matter and form no part of the claimed design. The dash-dot-dash broken lines shown in the drawings illustrate the boundaries of the claim and form no part thereof.

(51) **LOC (10) Cl.** **06-10**

(52) **U.S. Cl.**
USPC **D6/580**

(58) **Field of Classification Search**

USPC D6/575, 576, 577, 578, 579, 580, 581;
160/84.01, 84.02, 84.03, 84.04, 84.05,
160/84.06, 84.07, 84.08, 107, 108, 111,
160/113, 130, 133, 354, 392
CPC E06B 3/285; E06B 9/24; E06B 9/262;
E06B 9/305; E06B 9/306; A47H 2201/01;
A47H 2201/02; A47H 23/00

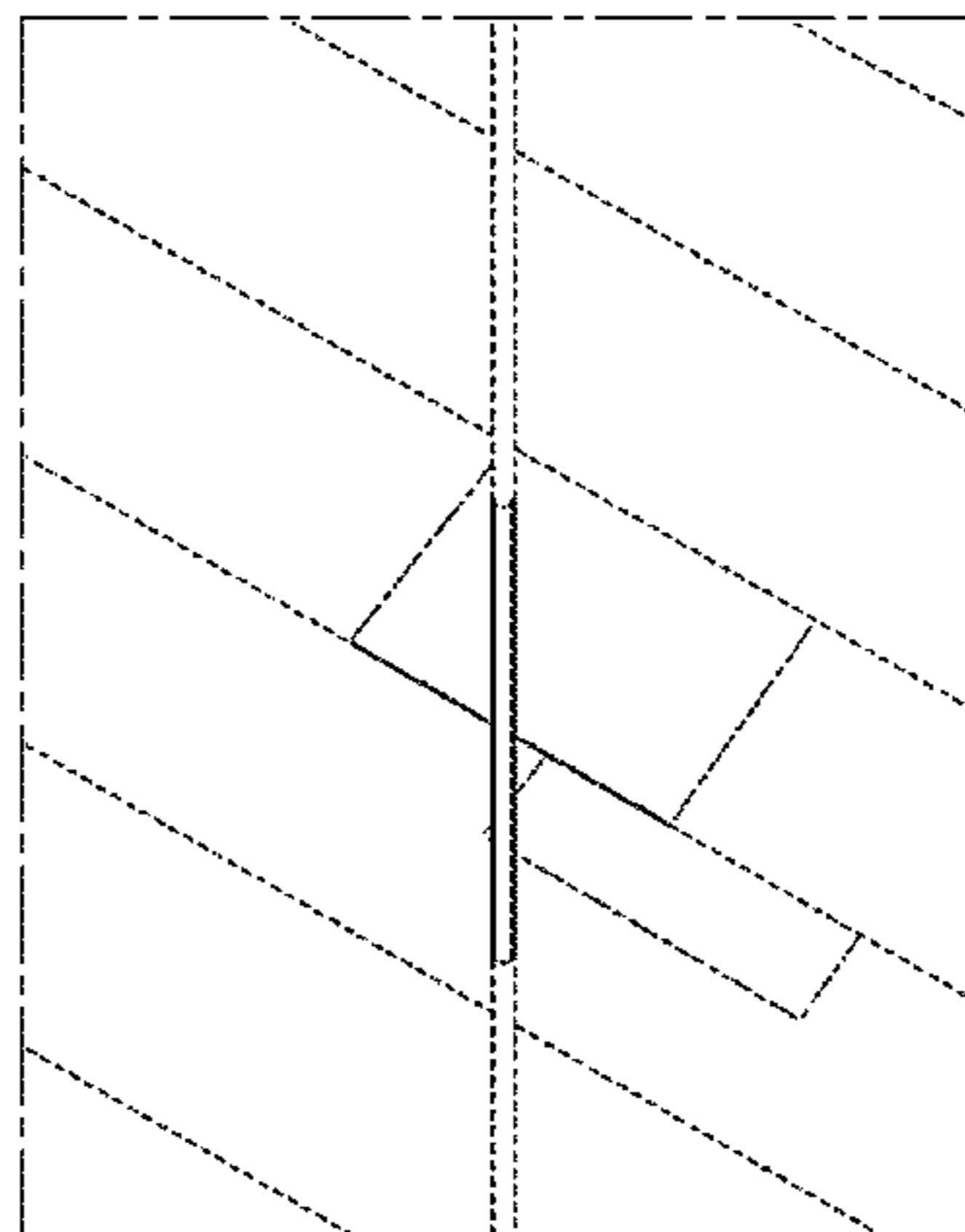
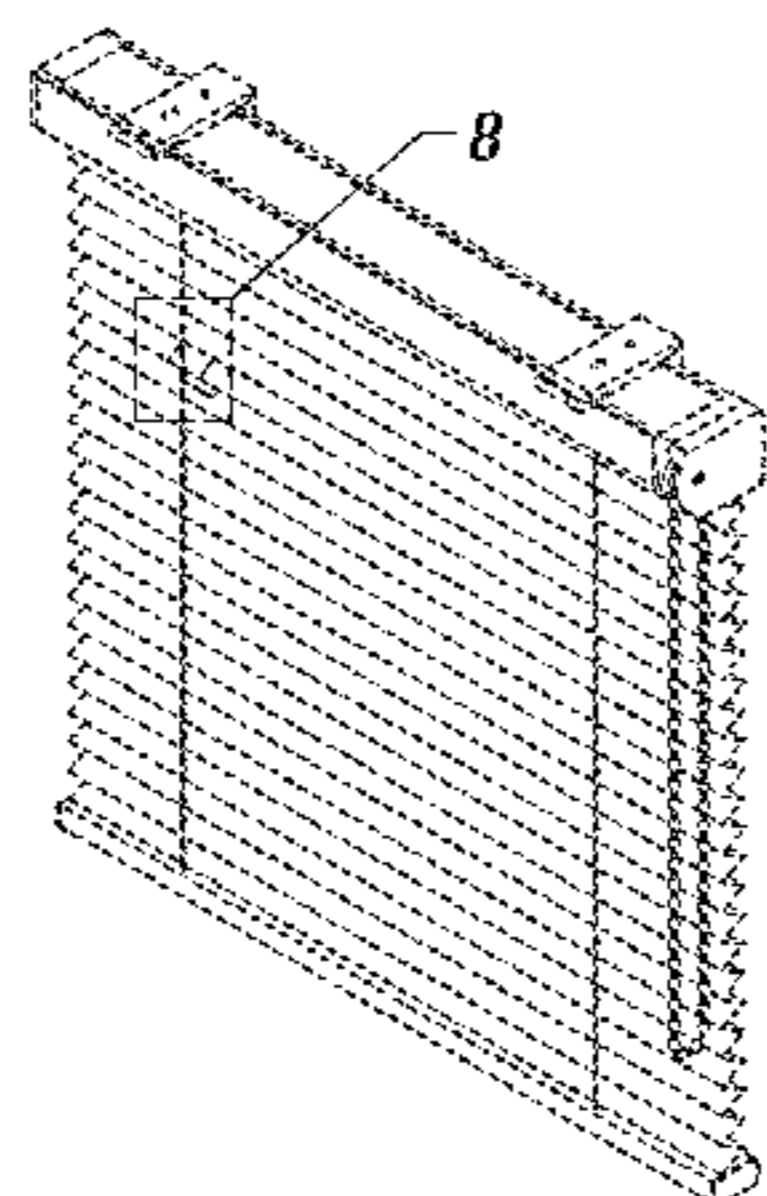
See application file for complete search history.

(56) **References Cited**

U.S. PATENT DOCUMENTS

2,141,038 A * 12/1938 French 139/384 A
2,757,727 A * 8/1956 Findell 160/168.1 R
4,945,971 A * 8/1990 Ivarsson et al. 160/178.3

1 Claim, 7 Drawing Sheets



(56)

References Cited

U.S. PATENT DOCUMENTS

5,495,883	A *	3/1996	Jelic	160/84.04	D564,821	S *	3/2008	Yu et al.	D6/575
5,551,500	A *	9/1996	Allsopp	160/84.04	7,614,438	B2 *	11/2009	Yu et al.	160/176.1 R
5,582,226	A *	12/1996	Voss et al.	160/168.1 R	D666,043	S *	8/2012	Lin	D6/575
5,787,951	A *	8/1998	Tomomura et al.	160/84.01	D683,990	S *	6/2013	Huang	D6/577
5,901,767	A *	5/1999	Ralton et al.	160/84.04	D686,434	S *	7/2013	Marocco	D6/575
6,006,812	A *	12/1999	Corey	160/84.05	8,474,507	B2 *	7/2013	Anthony et al.	160/84.01
6,401,789	B1 *	6/2002	Allsopp	160/84.06	8,684,063	B2 *	4/2014	Lin	160/84.04
6,792,995	B2 *	9/2004	Judkins	160/84.04	D704,475	S *	5/2014	Cheng	D6/575
6,988,526	B2 *	1/2006	Judkins	160/84.01	2005/0006032	A1 *	1/2005	Yu et al.	160/84.01
					2007/0039699	A1 *	2/2007	Colson et al.	160/121.1
					2011/0303370	A1 *	12/2011	Dollard	160/84.01

* cited by examiner

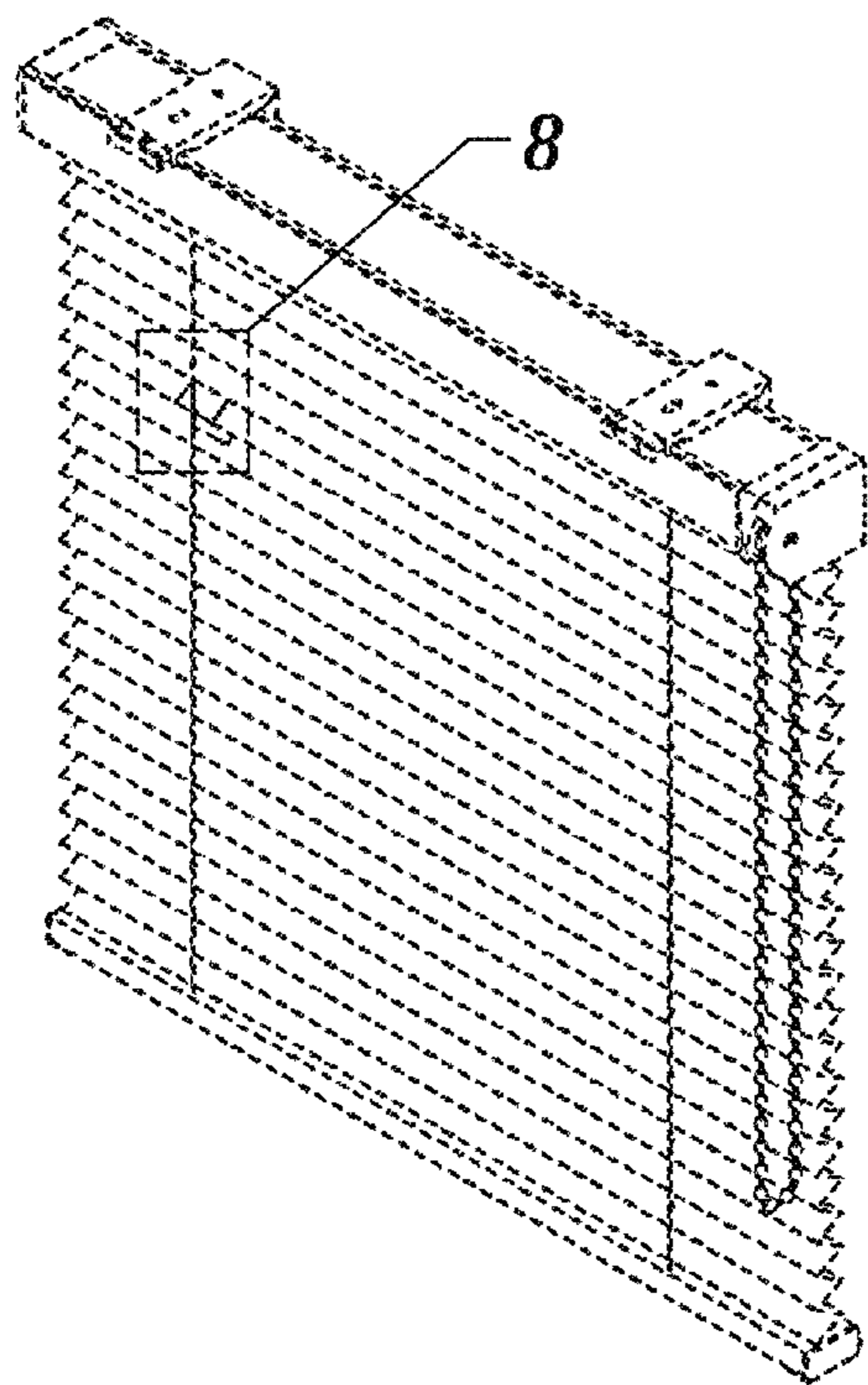


FIG. 1

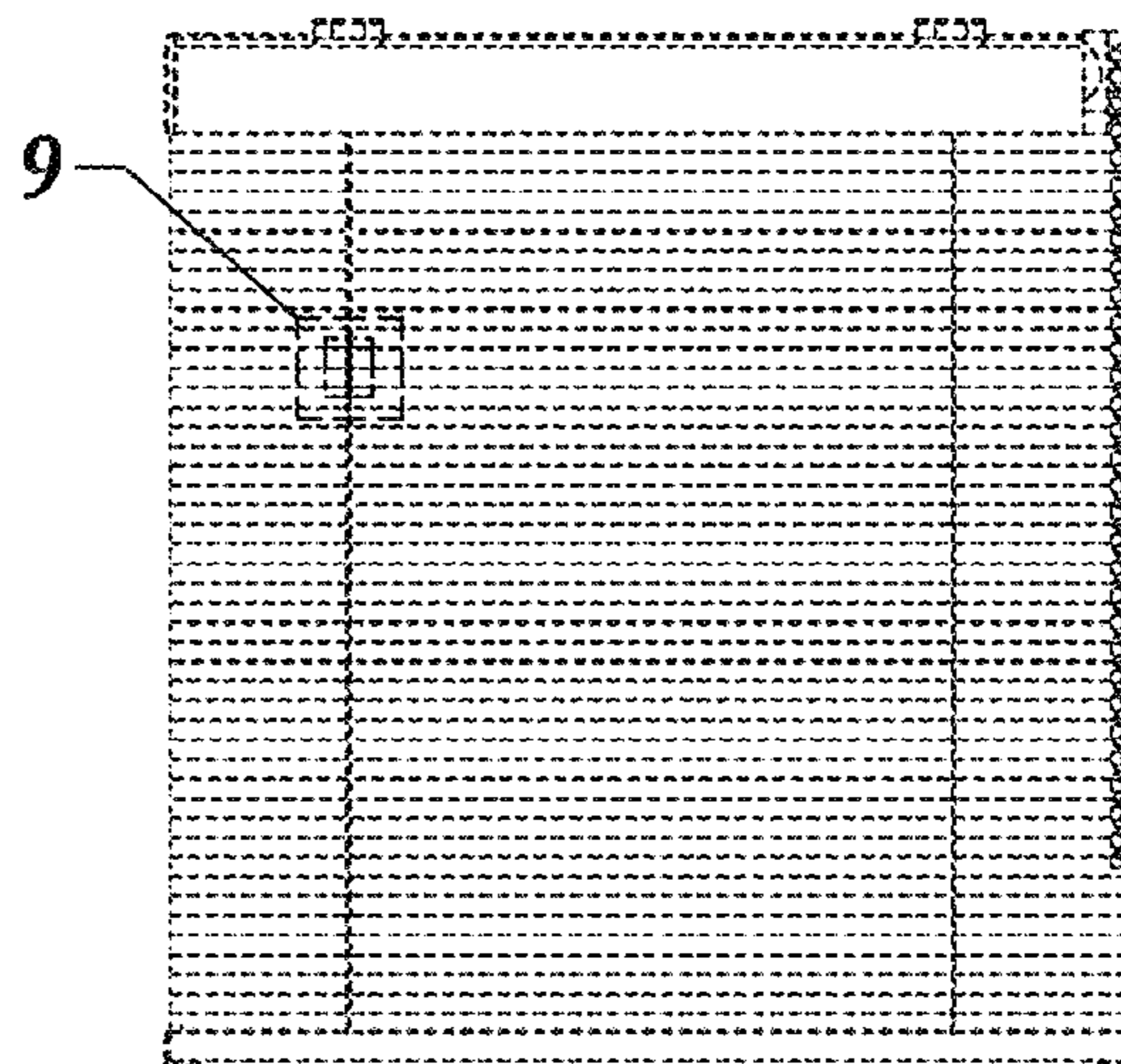


FIG. 2

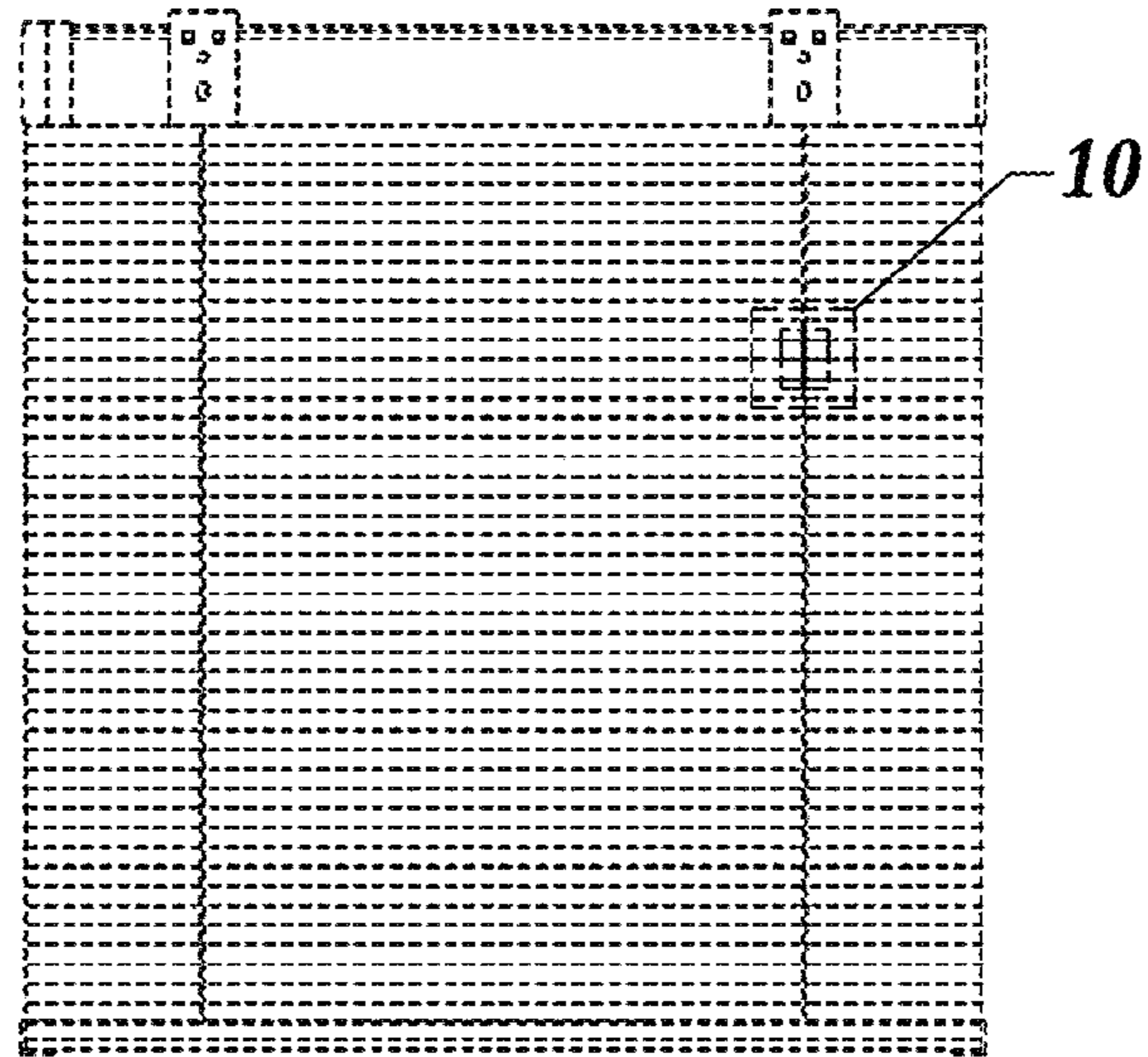


FIG. 3

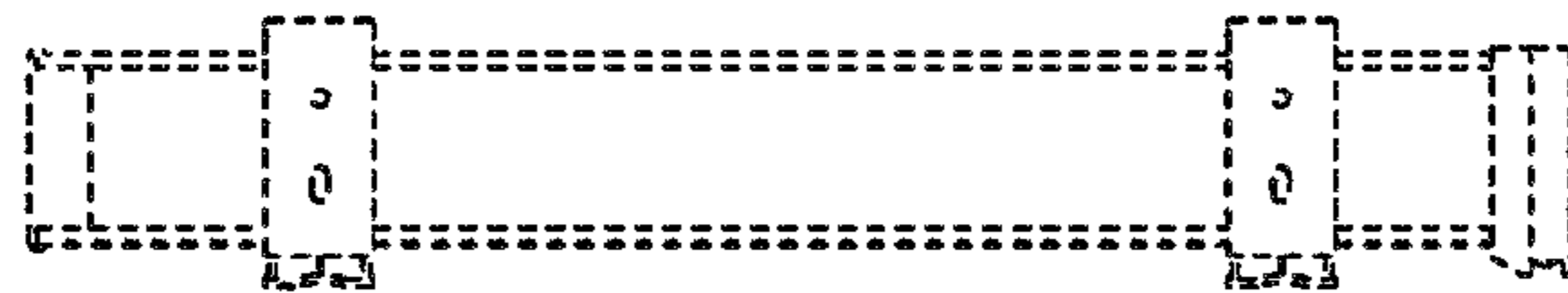


FIG. 4

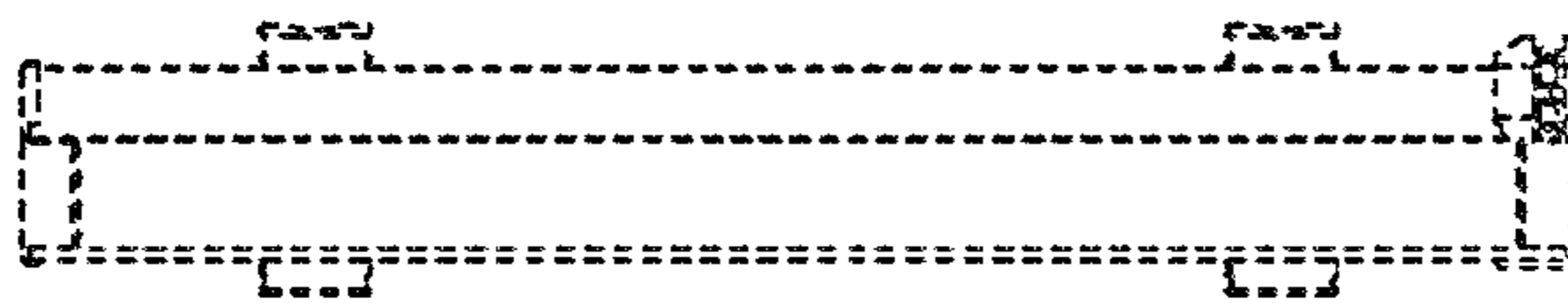


FIG. 5

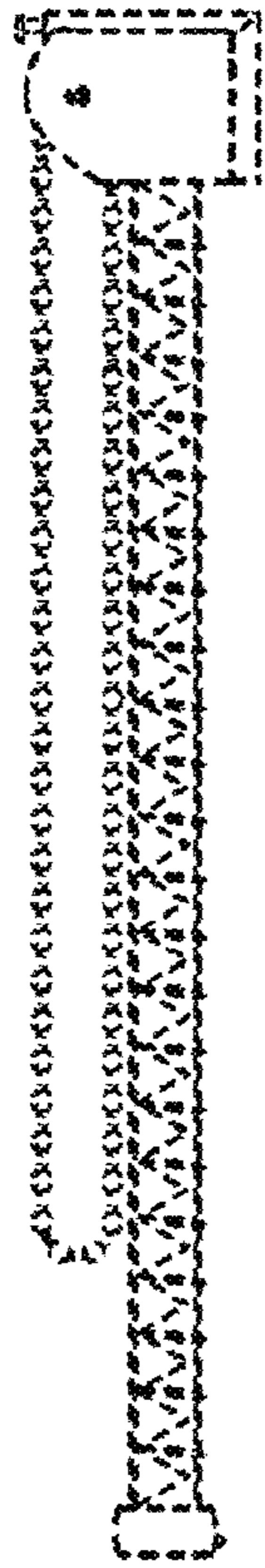


FIG. 6

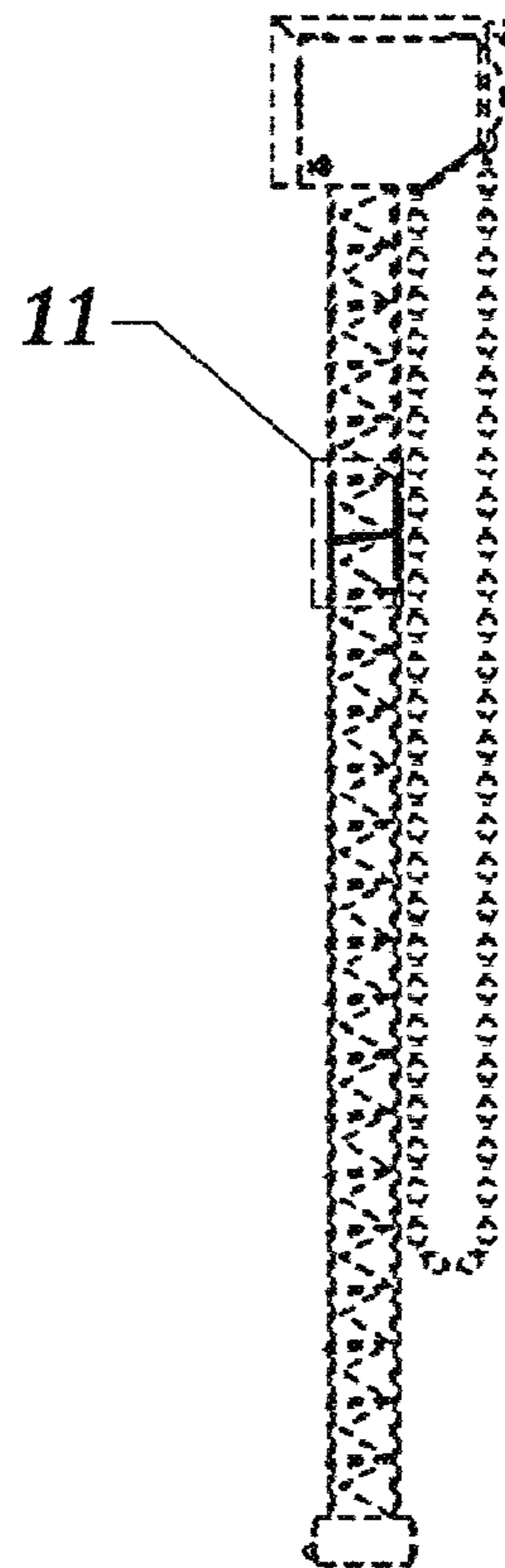


FIG. 7

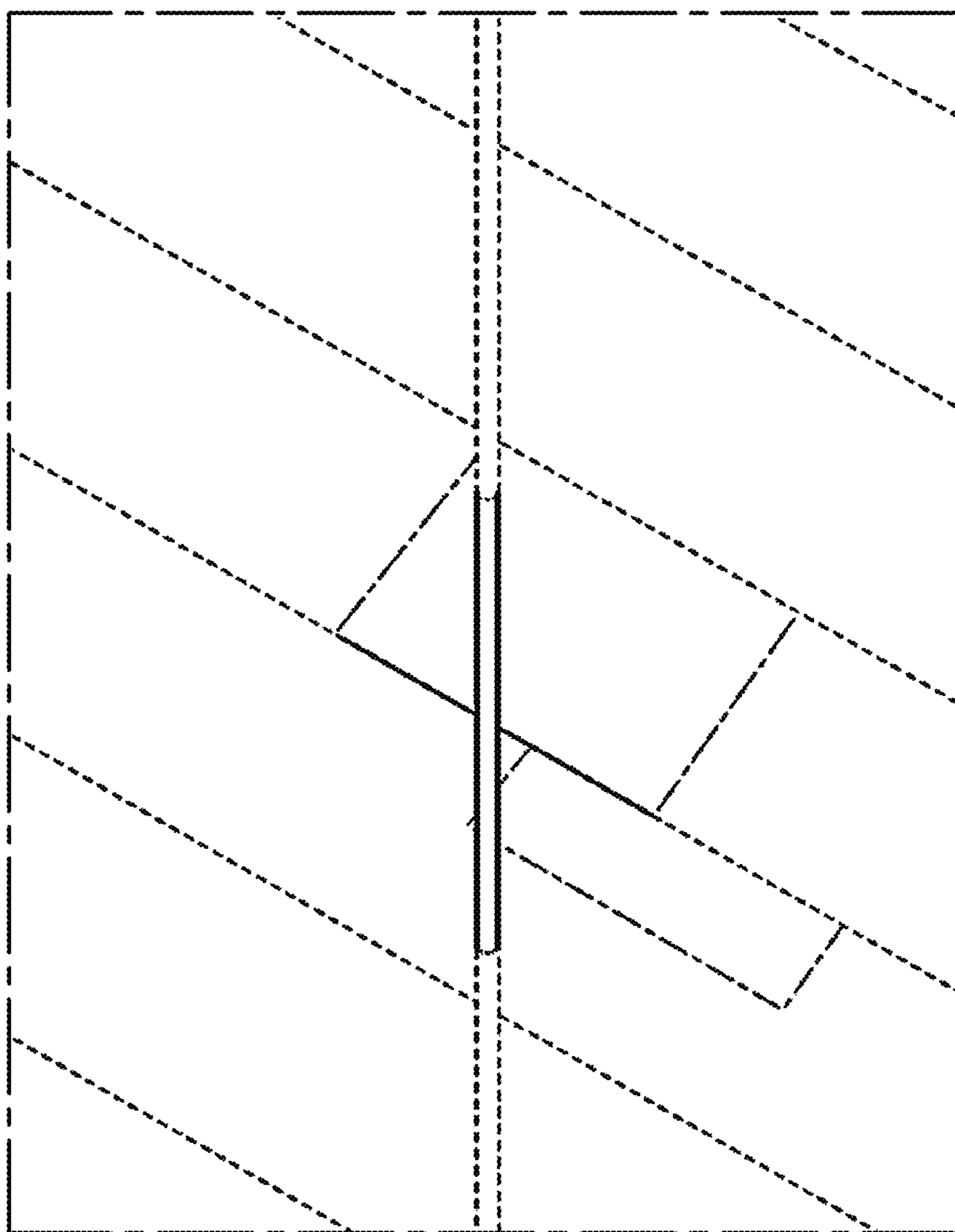


FIG. 8

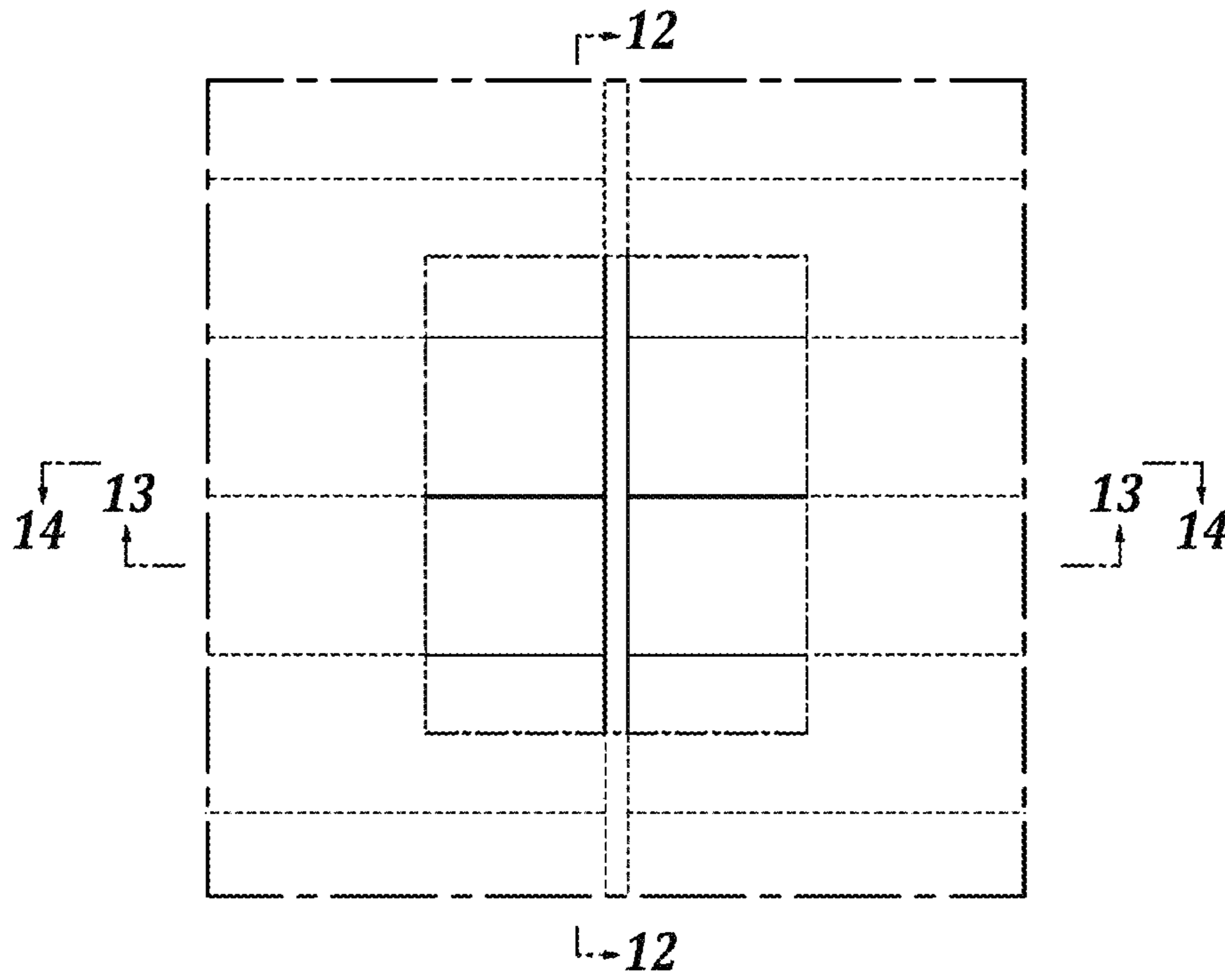


FIG. 9

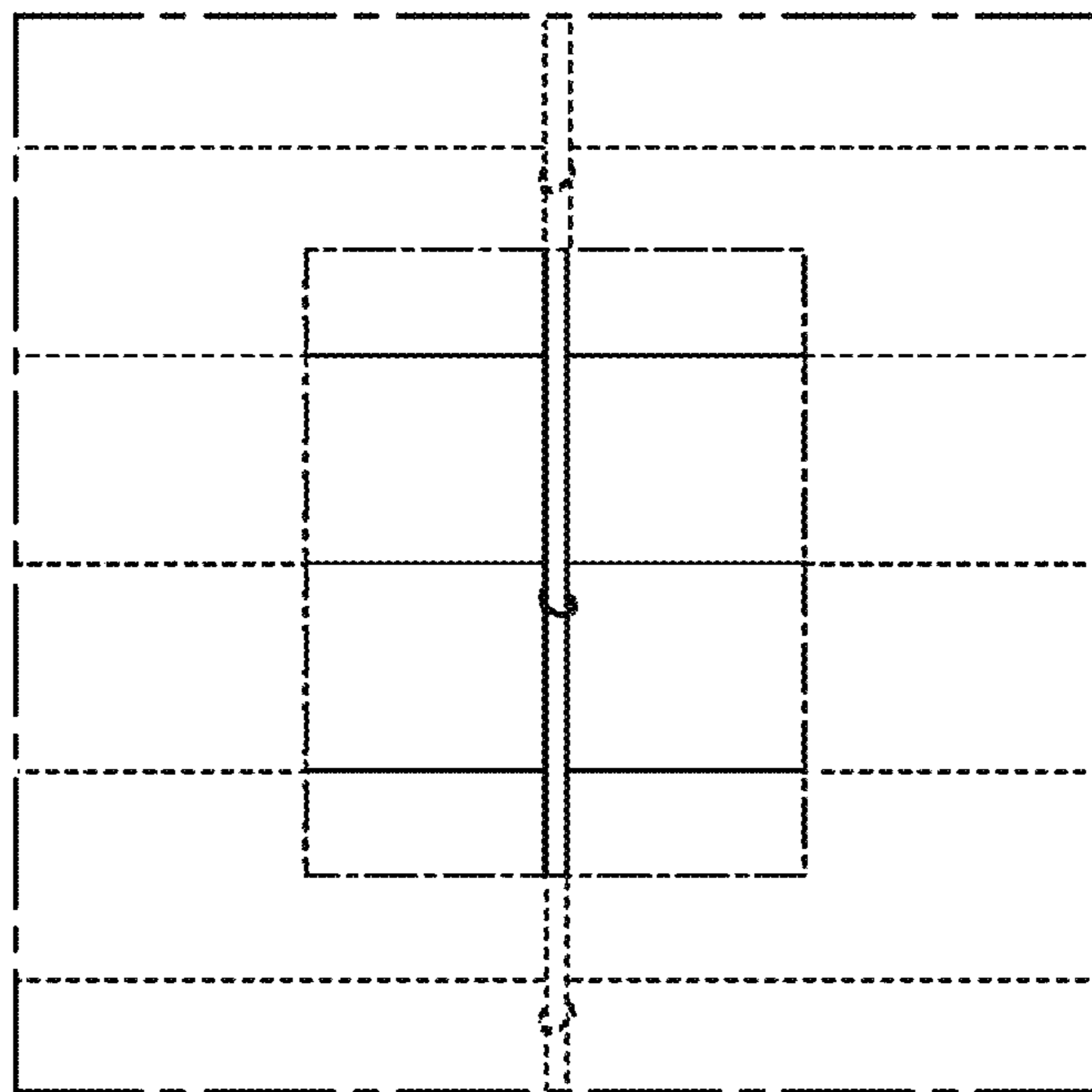


FIG. 10

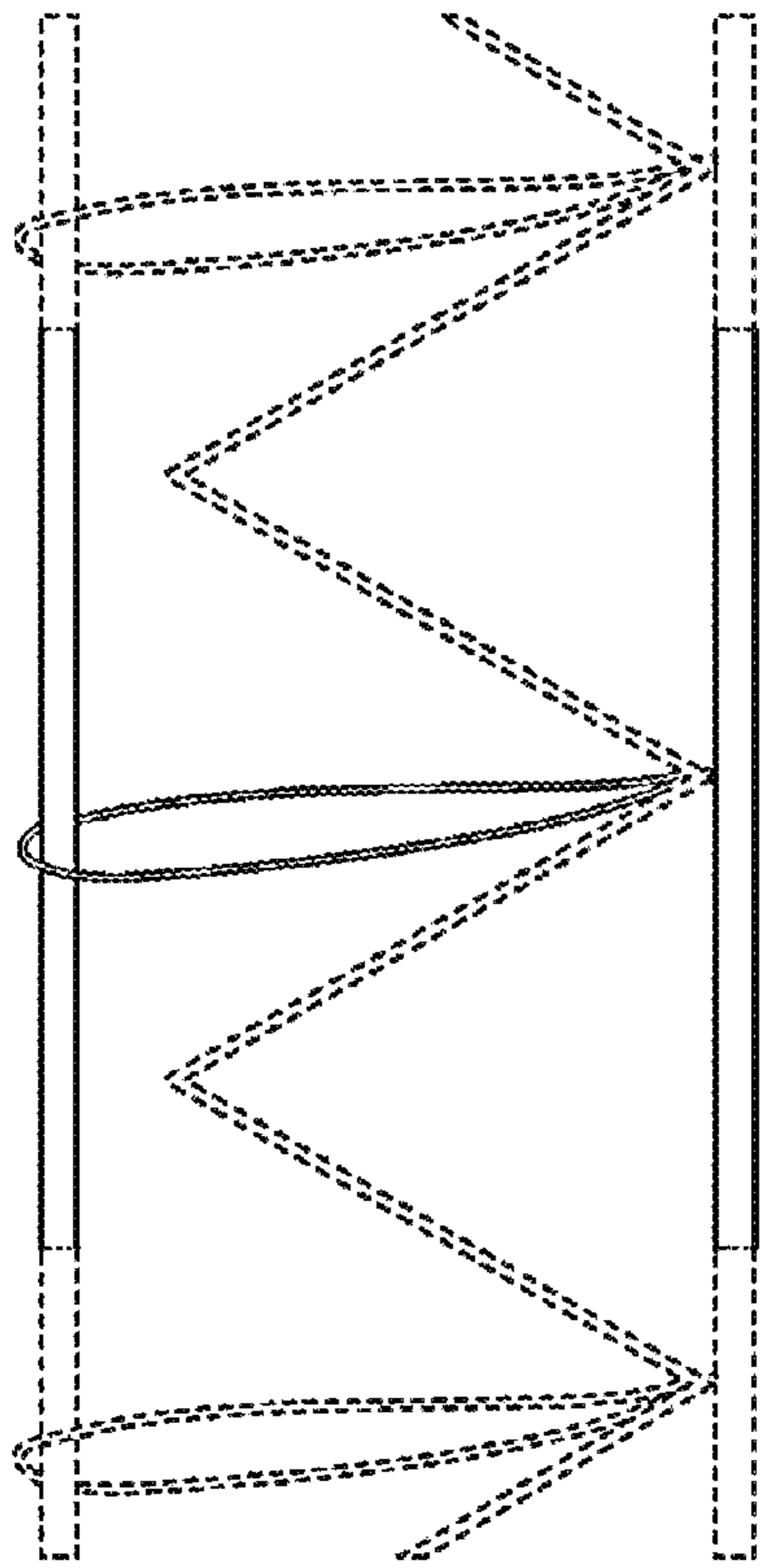


FIG. 11

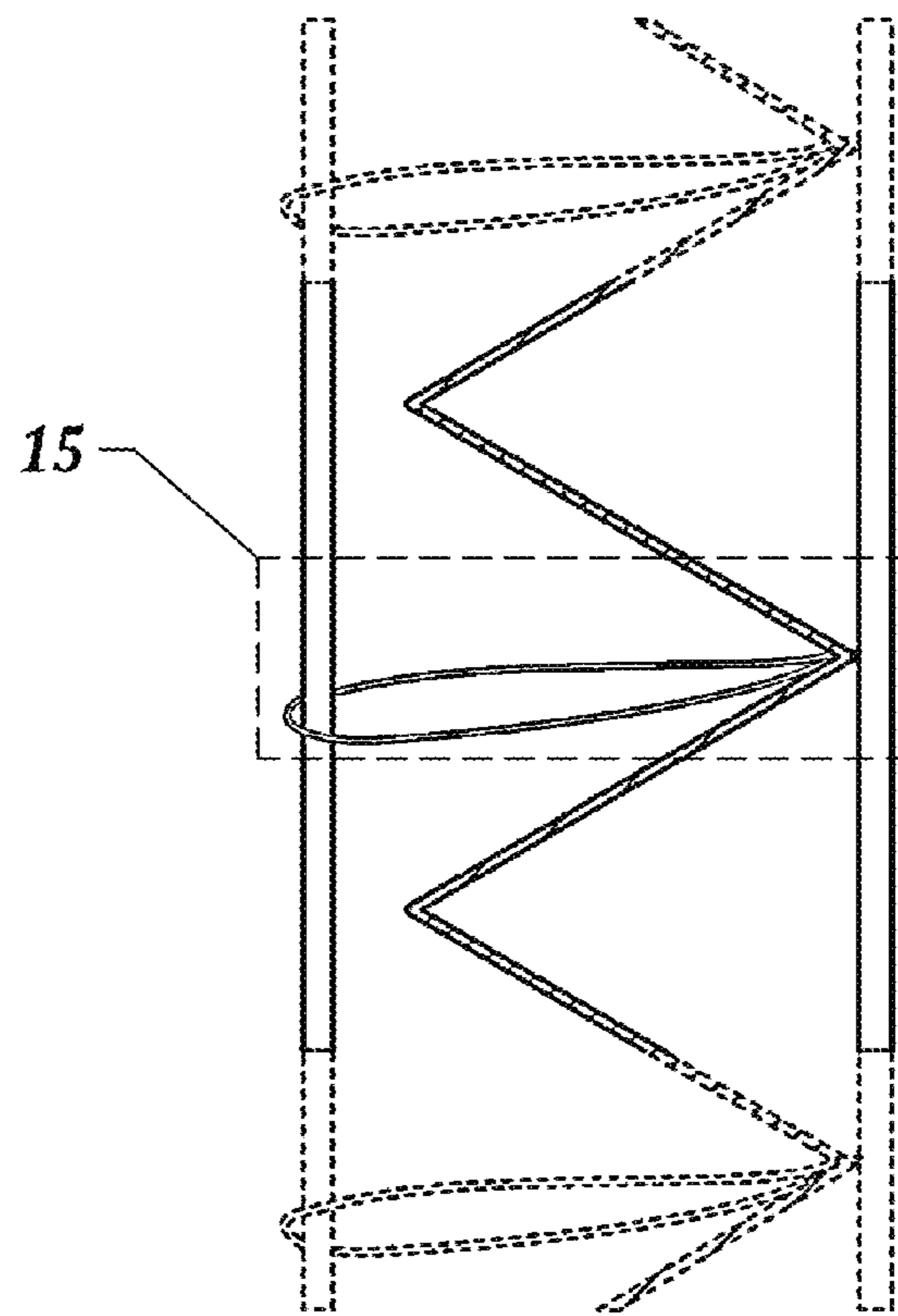


FIG. 12

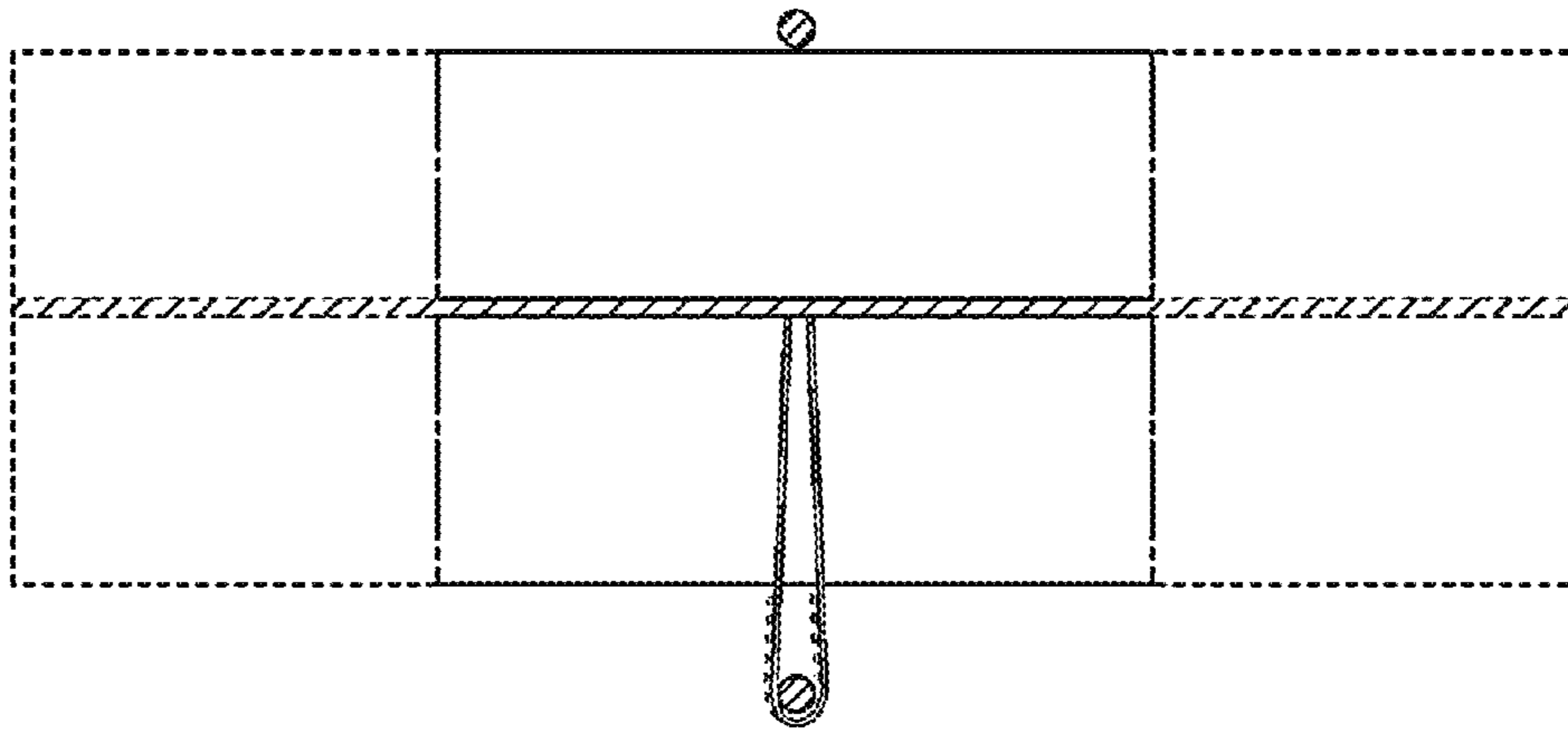


FIG. 13

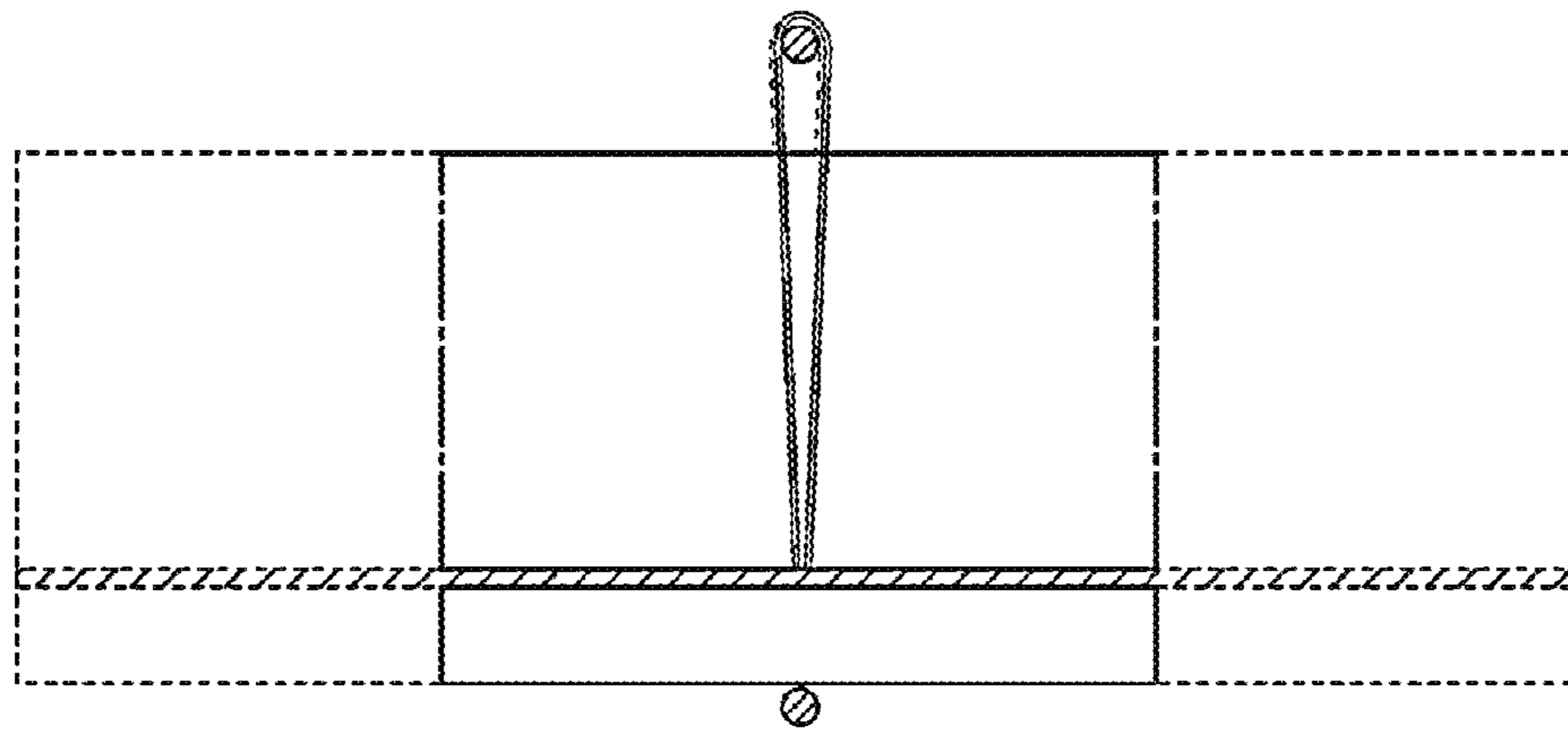


FIG. 14

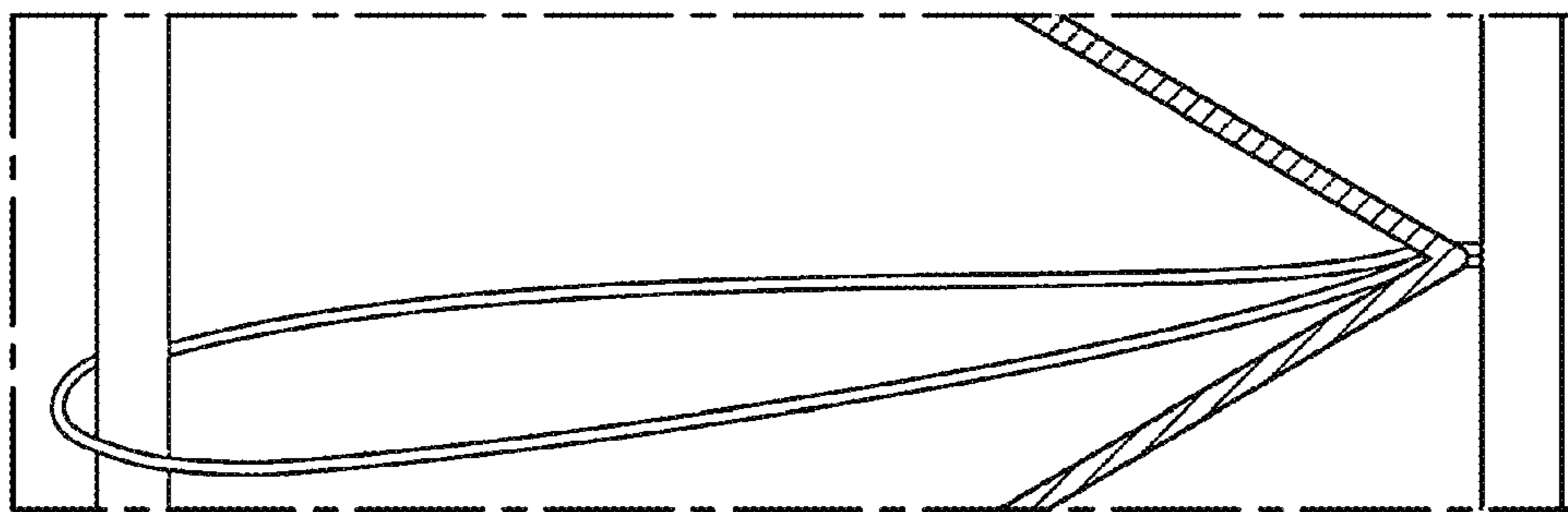


FIG. 15