



US00D759395S

(12) **United States Design Patent**
Hashemi

(10) **Patent No.:** **US D759,395 S**
(45) **Date of Patent:** **** Jun. 21, 2016**

(54) **THEATER SEAT**

2,419,498 A 4/1947 Newton
2,434,857 A 1/1948 Larson
2,557,885 A 6/1951 Murphy et al.

(71) Applicant: **IPIC-GOLD CLASS ENTERTAINMENT, LLC**, Boca Raton, FL (US)

(Continued)

FOREIGN PATENT DOCUMENTS

(72) Inventor: **Abdol Hamid Hashemi**, Fort Lauderdale, FL (US)

EP 0126056 5/1984
EP 0778380 12/1995

(Continued)

(73) Assignee: **IPIC-GOLD CLASS ENTERTAINMENT, LLC**, Boca Raton, FL (US)

OTHER PUBLICATIONS

(**) Term: **15 Years**

Lavelle, Ciara, "Ipic, Luxury Movie Theater Serving Food and Beverages, to Open in North Miami Beach," Miami New Times, published Jun. 11, 2014, accessed Apr. 14, 2015, <http://www.miaminewtimes.com/arts/ipic-luxury-theater-serving-food-and-beverages-to-open-in-north-miami-beach-6508512>.

(Continued)

(21) Appl. No.: **29/531,694**

(22) Filed: **Jun. 29, 2015**

(51) **LOC (10) Cl.** **06-01**

(52) **U.S. Cl.**
USPC **D6/336**

(58) **Field of Classification Search**
USPC D6/334, 335, 336, 338, 349, 355, 381, D6/716, 716.1; 297/118, 119, 135, 144, 297/232, 445.1, 448.1, 452.18, 156, 175, 297/216.1; 5/12.1, 12.2
CPC A47C 1/02; A47C 1/12; A47C 11/00; A47C 17/00; A47C 17/02; A47C 4/52; A47C 9/00

See application file for complete search history.

Primary Examiner — Sandra Snapp
(74) *Attorney, Agent, or Firm* — Buchanan Nipper

(57) **CLAIM**

I claim the ornamental design for a theater seat, as shown and described.

DESCRIPTION

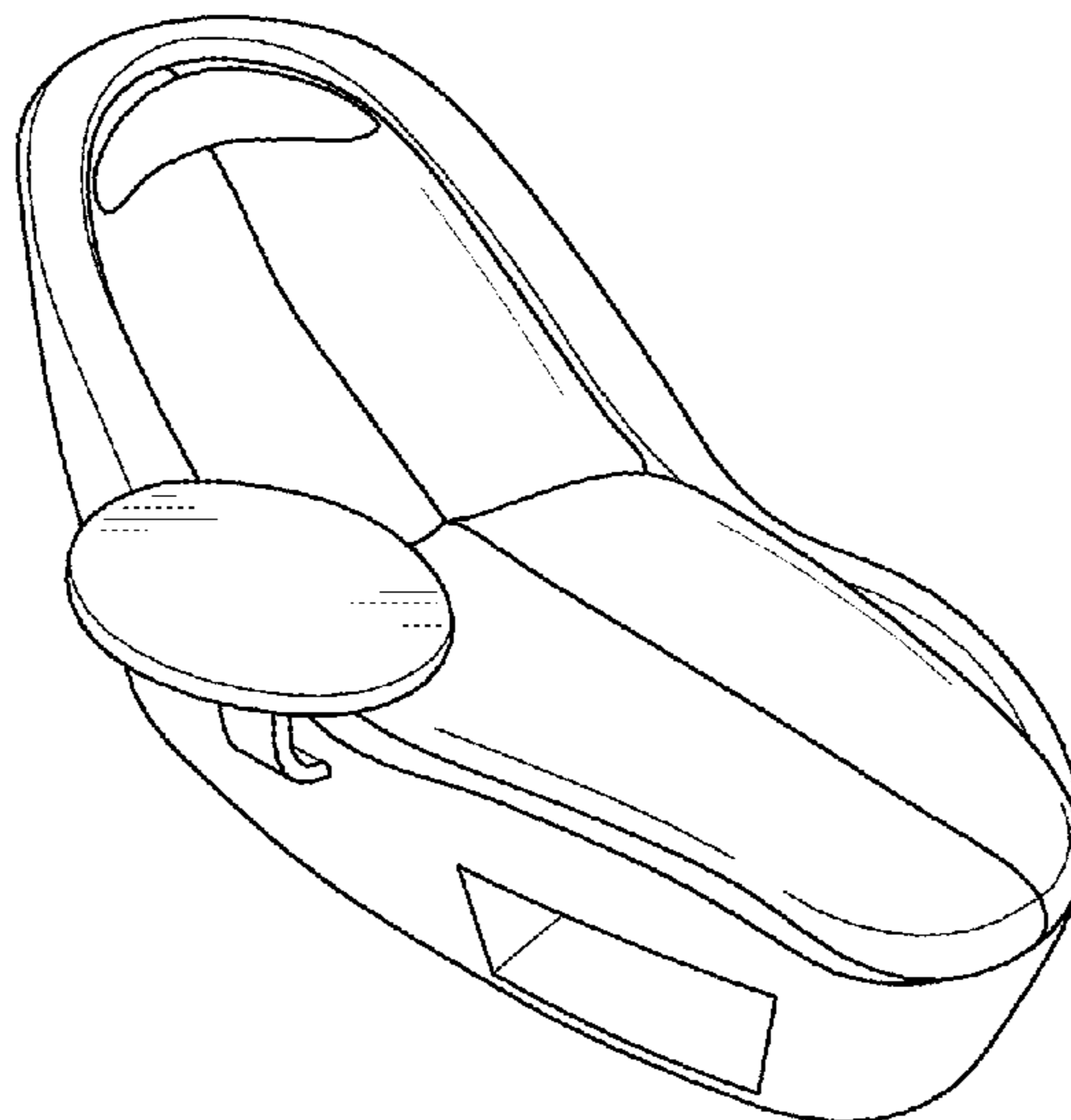
FIG. 1 is a left side front perspective view of a first embodiment of a theater seat showing my design.
FIG. 2 is a top plan view of the first embodiment.
FIG. 3 is a bottom view of the first embodiment.
FIG. 4 is a left elevation view of the first embodiment.
FIG. 5 is a right elevation view of the first embodiment.
FIG. 6 is a front elevation view of the first embodiment; and, FIG. 7 is a rear elevation view of the first embodiment.
The shading lines in the drawings showing the environment are for illustration purposes only and form no part of the claimed design.

(56) **References Cited**

U.S. PATENT DOCUMENTS

1,348,069 A 7/1920 Van Fleet
1,660,263 A 2/1924 Fowler
1,523,944 A 1/1925 Fowler
1,701,577 A 2/1929 Lewis
2,041,194 A 10/1934 Lindenberg

1 Claim, 2 Drawing Sheets



(56)

References Cited

U.S. PATENT DOCUMENTS

2,947,349 A 8/1960 Kryter
D192,115 S * 1/1962 Ziegenfuss D6/336
3,079,198 A 2/1963 Morgan et al.
D212,009 S * 8/1968 Medlem D30/118
3,545,143 A 12/1970 Bankston
D223,535 S * 5/1972 Ghyezy D6/364
3,668,810 A 6/1972 Bankston
3,685,220 A 8/1972 Morrison
3,762,767 A 10/1973 Powell
D265,027 S * 6/1982 Meyers D6/334
4,826,245 A 5/1989 Entratter
4,936,620 A 6/1990 Francois et al.
D309,199 S * 7/1990 McMahon D30/118
5,141,285 A 8/1992 Park
D382,945 S * 8/1997 Hansen D23/277
D383,321 S * 9/1997 Honeycutt, Sr. D6/334
D395,759 S * 7/1998 Smith D6/334
5,845,434 A 12/1998 Hayashi
D421,948 S 3/2000 Dryburgh et al.
6,059,364 A 5/2000 Dryburgh et al.
D429,912 S * 8/2000 Peterson D30/118
D430,420 S * 9/2000 Peterson D30/118
D431,914 S * 10/2000 Lewis D6/334
D435,355 S * 12/2000 Peterson D30/118
6,164,018 A 12/2000 Runge et al.
6,227,489 B1 5/2001 Kitamoto et al.
D459,096 S * 6/2002 Rossigno D6/336
6,582,020 B1 6/2003 Tenenboym et al.
6,644,736 B2 11/2003 Nguyen et al.
6,692,069 B2 2/2004 Beroth et al.
D541,064 S 4/2007 Miller et al.
D550,464 S * 9/2007 Bauchet D6/334
D552,853 S * 10/2007 Goodrick D30/118
D552,854 S * 10/2007 Tseng D30/118
D557,948 S * 12/2007 Ng D6/716.8
7,419,214 B2 9/2008 Plant
D587,911 S * 3/2009 Pearson D6/334
D591,064 S * 4/2009 Lee D6/334
D600,029 S * 9/2009 Paulin D6/334
D606,326 S * 12/2009 Bassler D6/334
7,798,446 B2 9/2010 Park
D672,975 S * 12/2012 Rashid D6/335
8,419,124 B2 4/2013 Kramer et al.
8,573,537 B2 11/2013 Bock

D716,064 S * 10/2014 George, II D6/334
D741,611 S * 10/2015 Lee D6/364
2003/0131537 A1 7/2003 Krikorian et al.
2003/0216185 A1 11/2003 Varley
2007/0261981 A1 11/2007 Ojeda
2009/0152915 A1 6/2009 Krasna et al.
2009/0241433 A1 10/2009 Naito et al.
2010/0065683 A1 3/2010 Darbyshire
2013/0242263 A1 9/2013 Anderson
2014/0225404 A1 8/2014 Ramirez Magana
2014/0300152 A1 10/2014 Park et al.
2014/0311046 A1 10/2014 Ramirez Magana
2014/0318028 A1 10/2014 Anderson

FOREIGN PATENT DOCUMENTS

EP 1781539 3/2009
WO WO2014141102 9/2014

OTHER PUBLICATIONS

Kim, Susanna, "Luxury Theaters for the Masses," ABC News, published Mar. 1, 2013, accessed Apr. 14, 2015, <http://abcnews.go.com/blogs/business/2013/03/luxury-theaters-for-the-masses/>.
Glenwood, "Dinner and a Movie NYC Guide: AMC Movie Theater on Broadway and 84th", published Sep. 27, 2013, accessed Apr. 14, 2015, <http://www.glenwoodnyc.com/manhattan-living/amc-luxury-movie-theater-nyc/>.
Fernquest, Jon, "900 baht luxury movie theatre," Bangkok Post, published Jun. 9, 2014, accessed Apr. 14, 2015, <http://www.bangkokpost.com/learning/learning-from-news/414366/900-baht-luxury-movie-theatre>.
Richest Lifestyle, "Bangkok's Luxury Movie Theater: Embassy Diplomat Screens," Richestlifestyle.com, accessed Apr. 14, 2015, <http://www.richestlifestyle.com/bangkok-luxury-cinema-offers-mini-bar-sofas-butlers/>.
bocanewsnow.com Staff, "Boca's New iPic Movie Theater: Simply Awesome," Boca News Now, published Jul. 24, 2012, accessed Apr. 14, 2015, <http://bocanewsnow.com/2012/07/24/bocas-new-ipic-movie-theater-simply-awesome/>.
Cinapolis, "California Cinapolis Luxury Cinemas Del Mar," accessed Apr. 14, 2015, <http://www.cinapolisusa.com/del-mar.aspx>.
Embassy Diplomat Screens, "Embassy Diplomat Screens," accessed Apr. 14, 2015, <http://www.embassycineplex.com/information>.

* cited by examiner

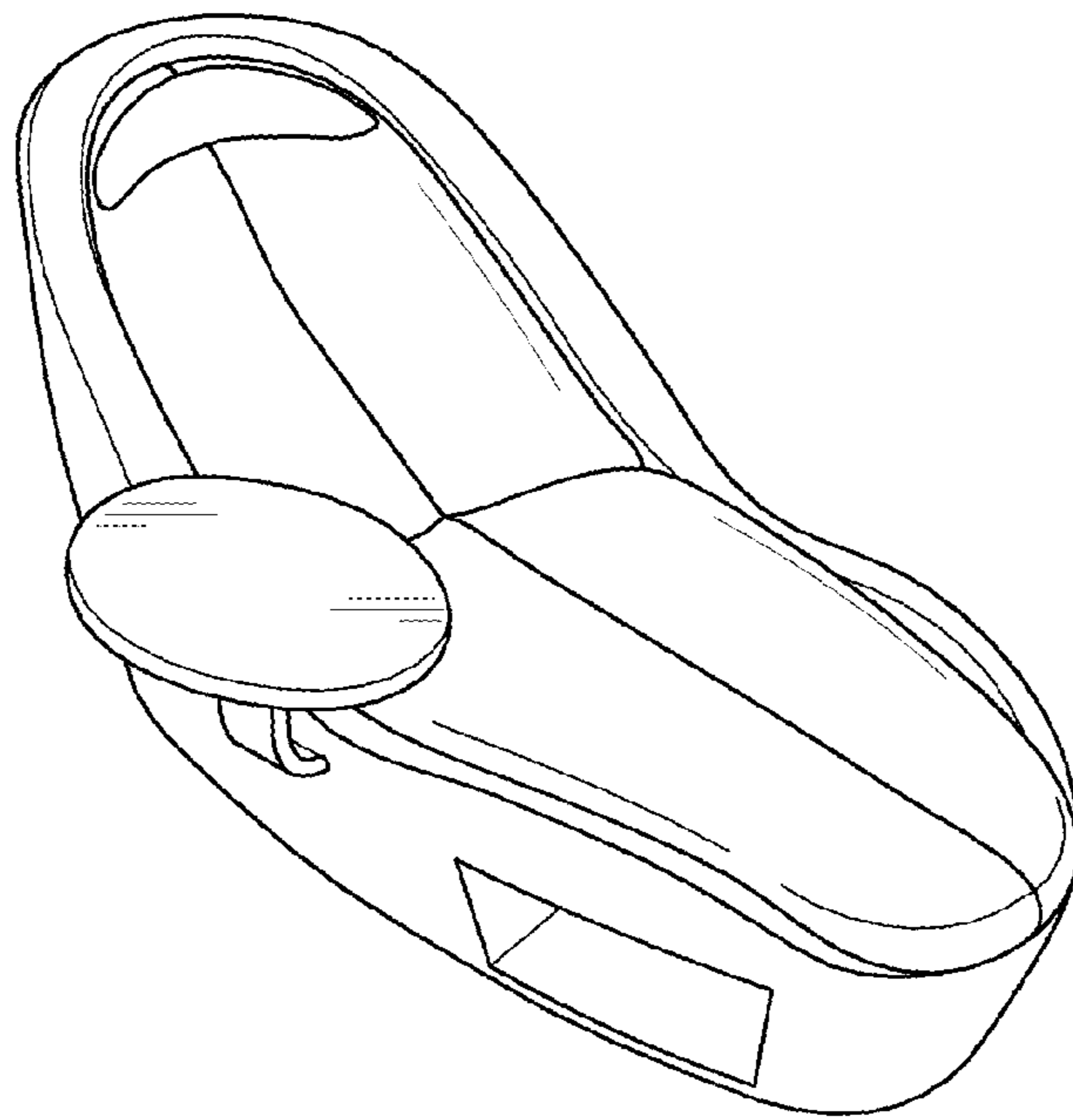


FIG. 1

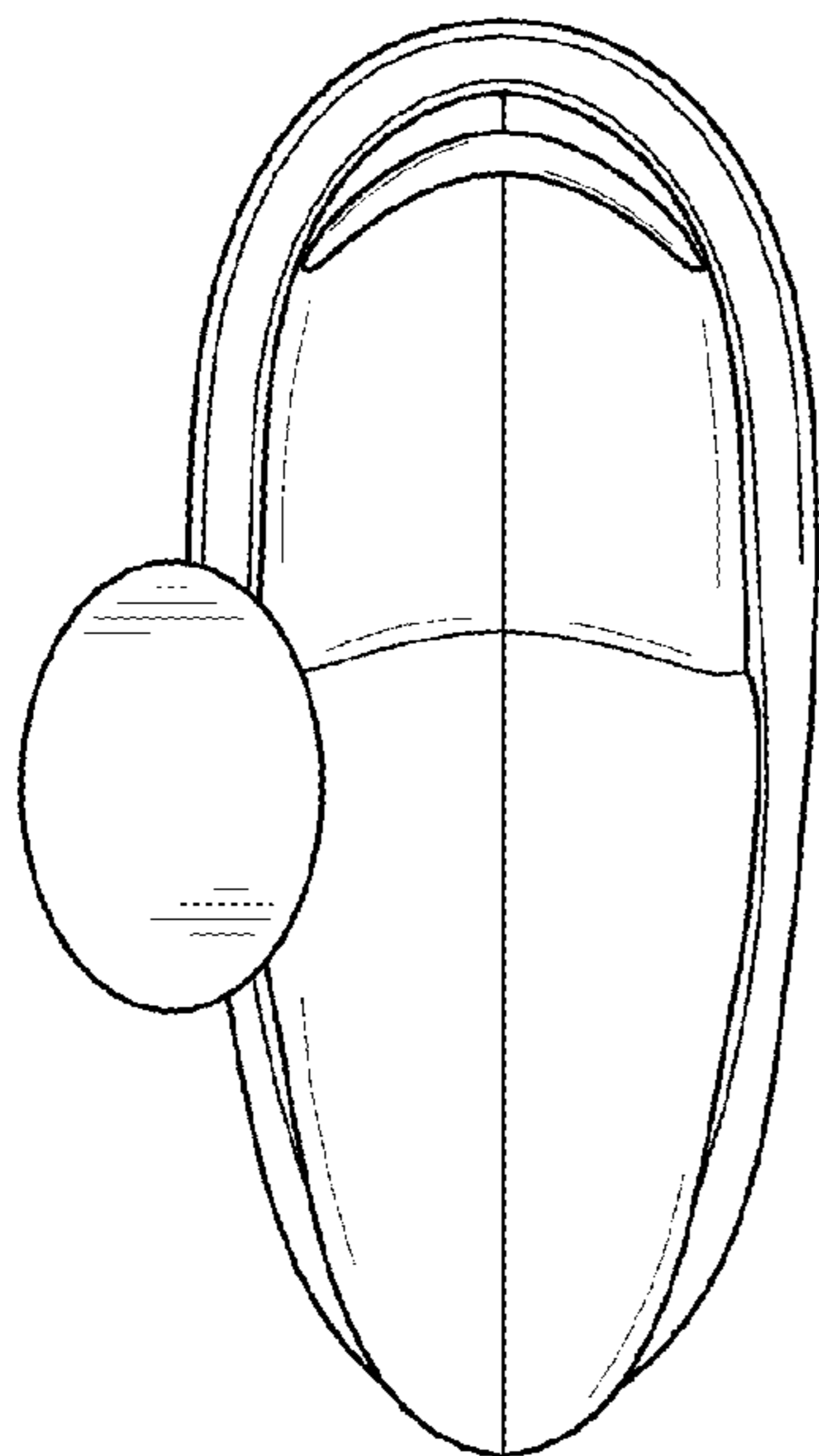


FIG. 2

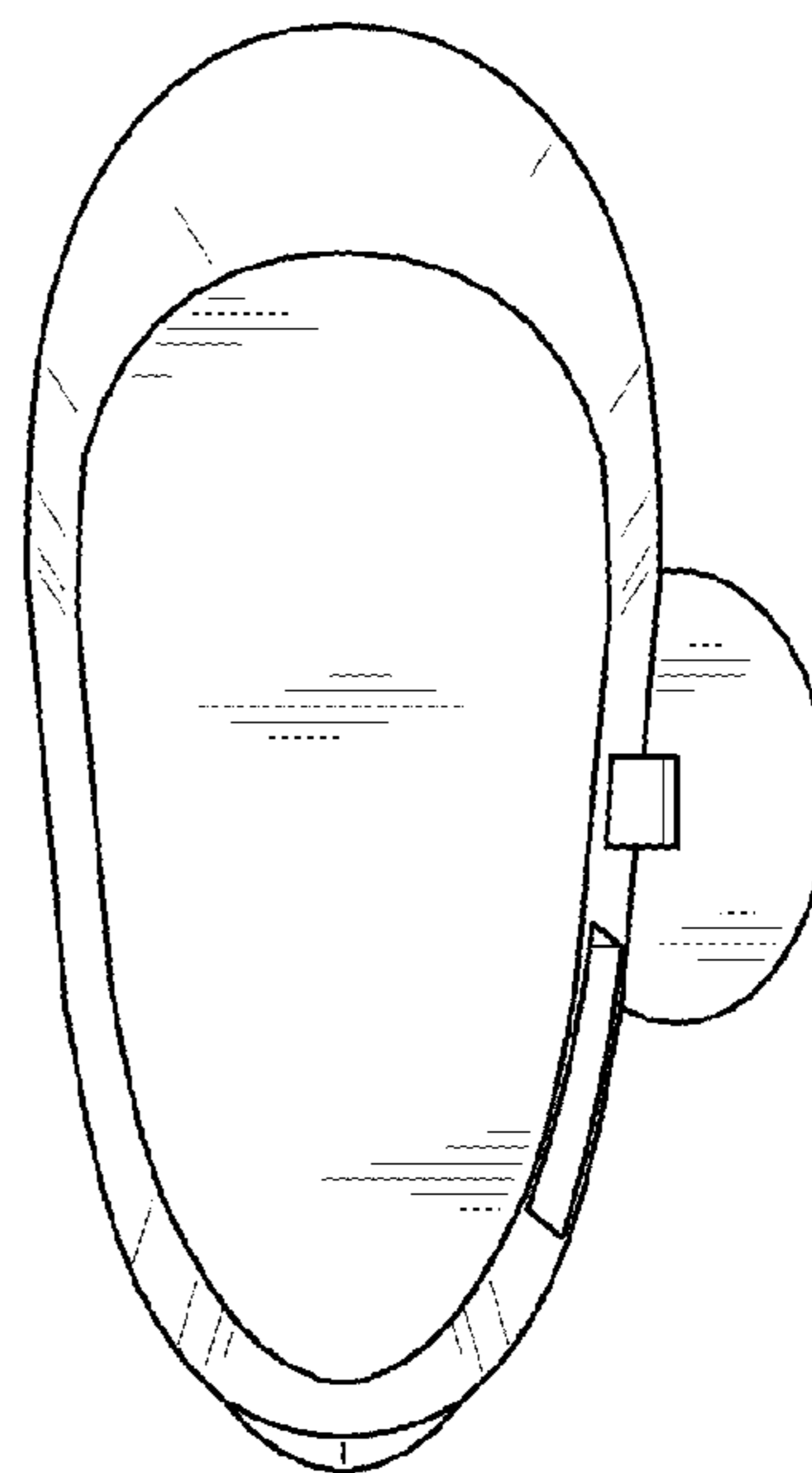


FIG. 3

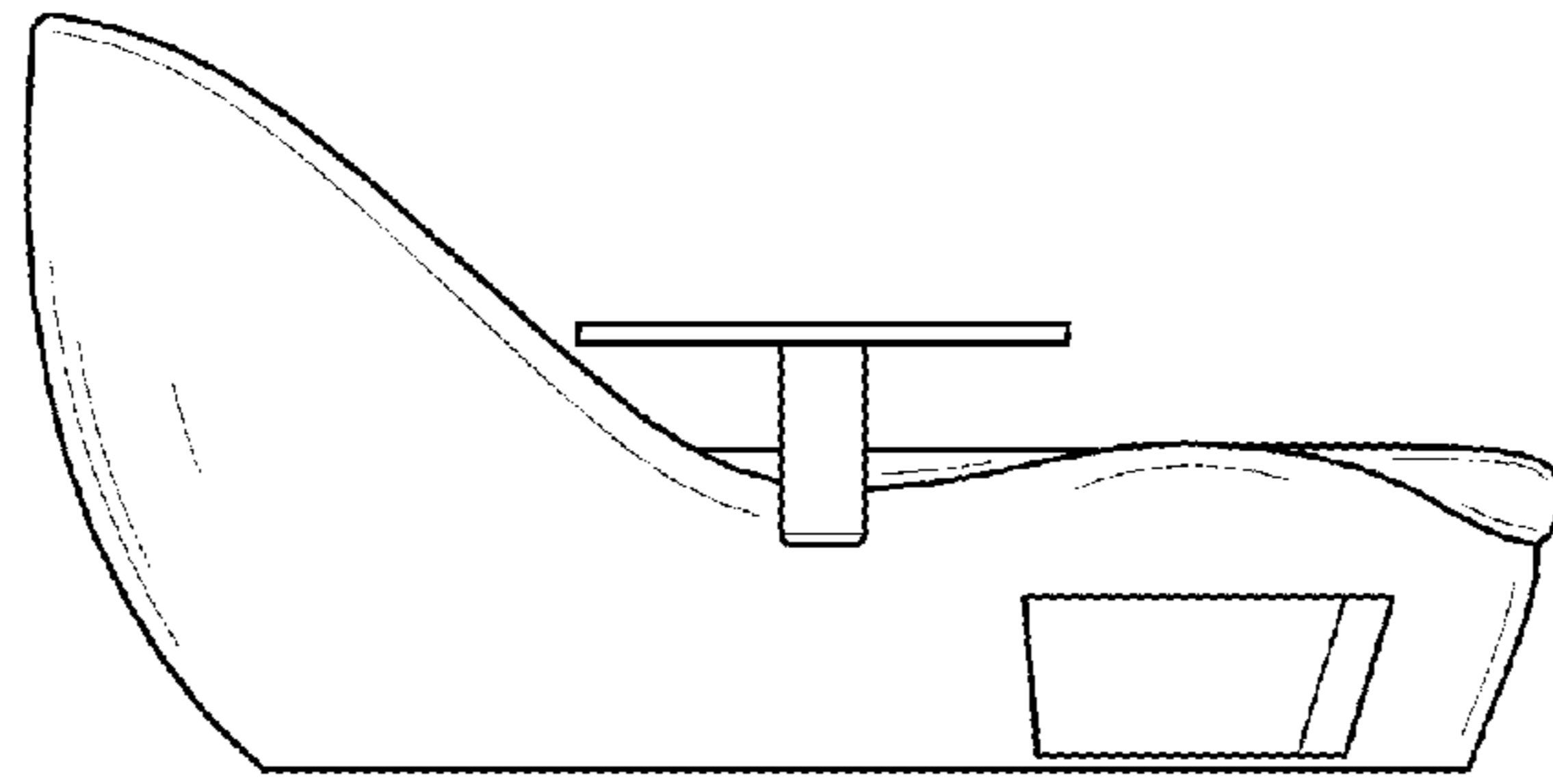


FIG. 4

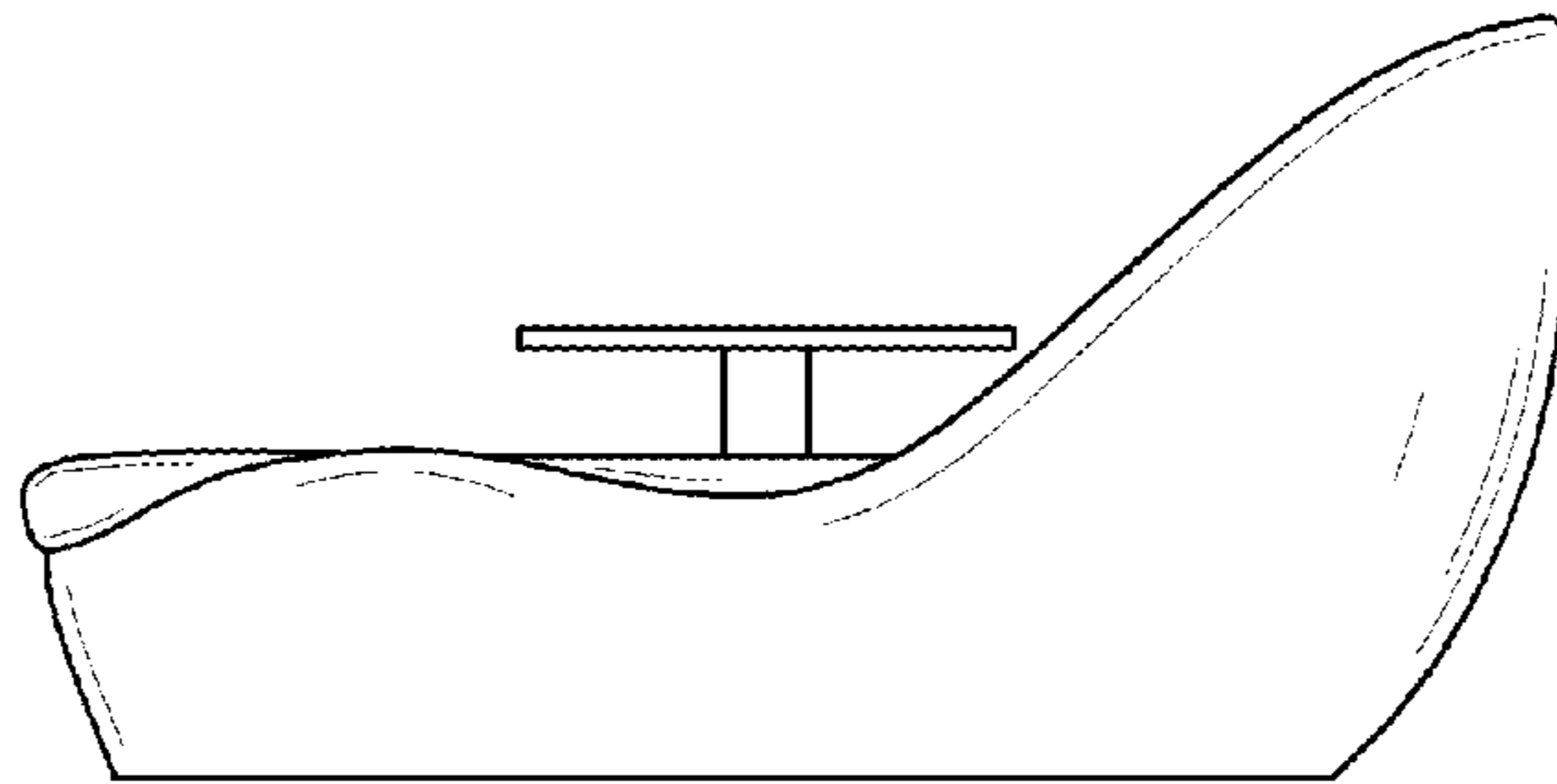


FIG. 5

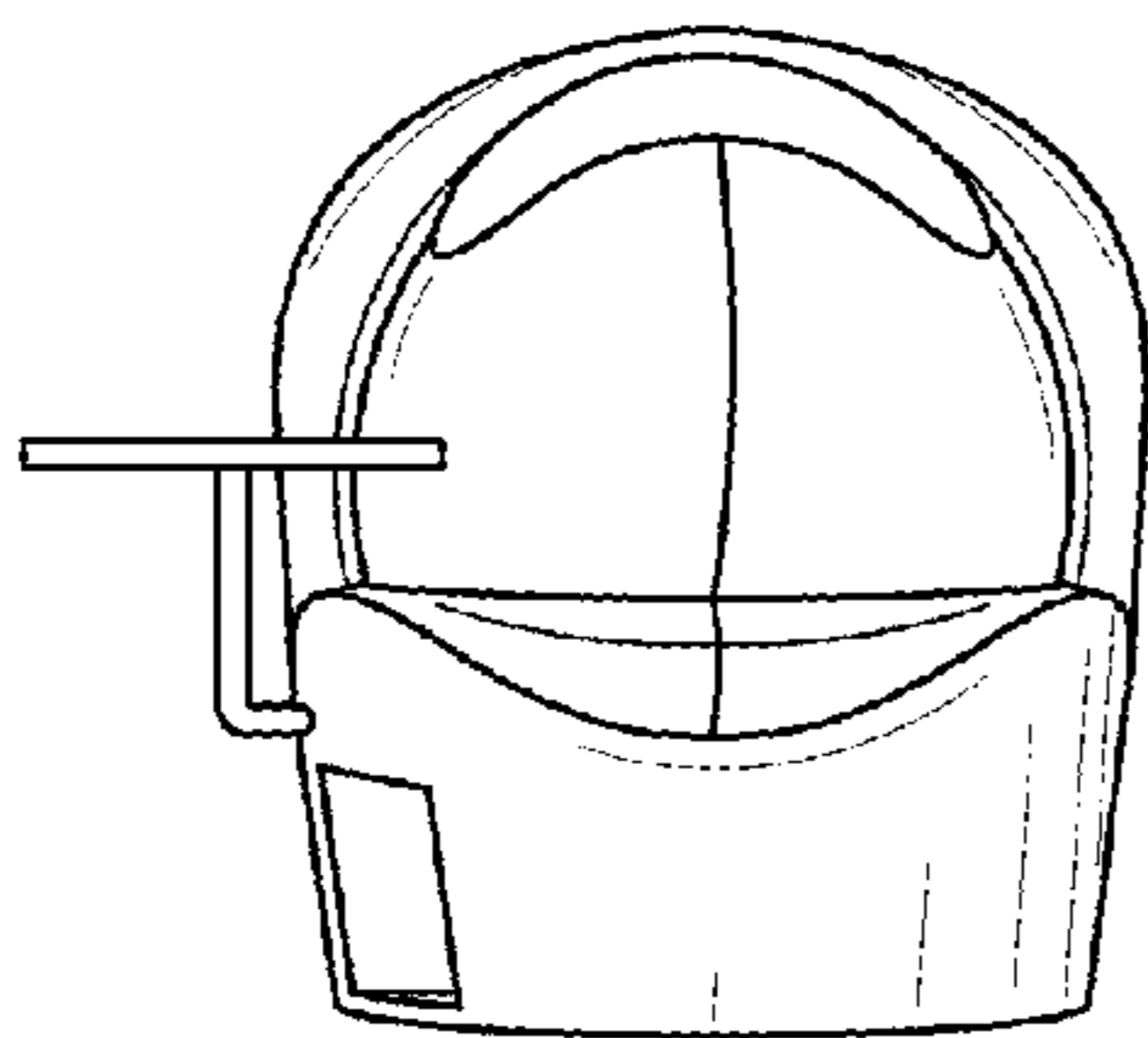


FIG. 6

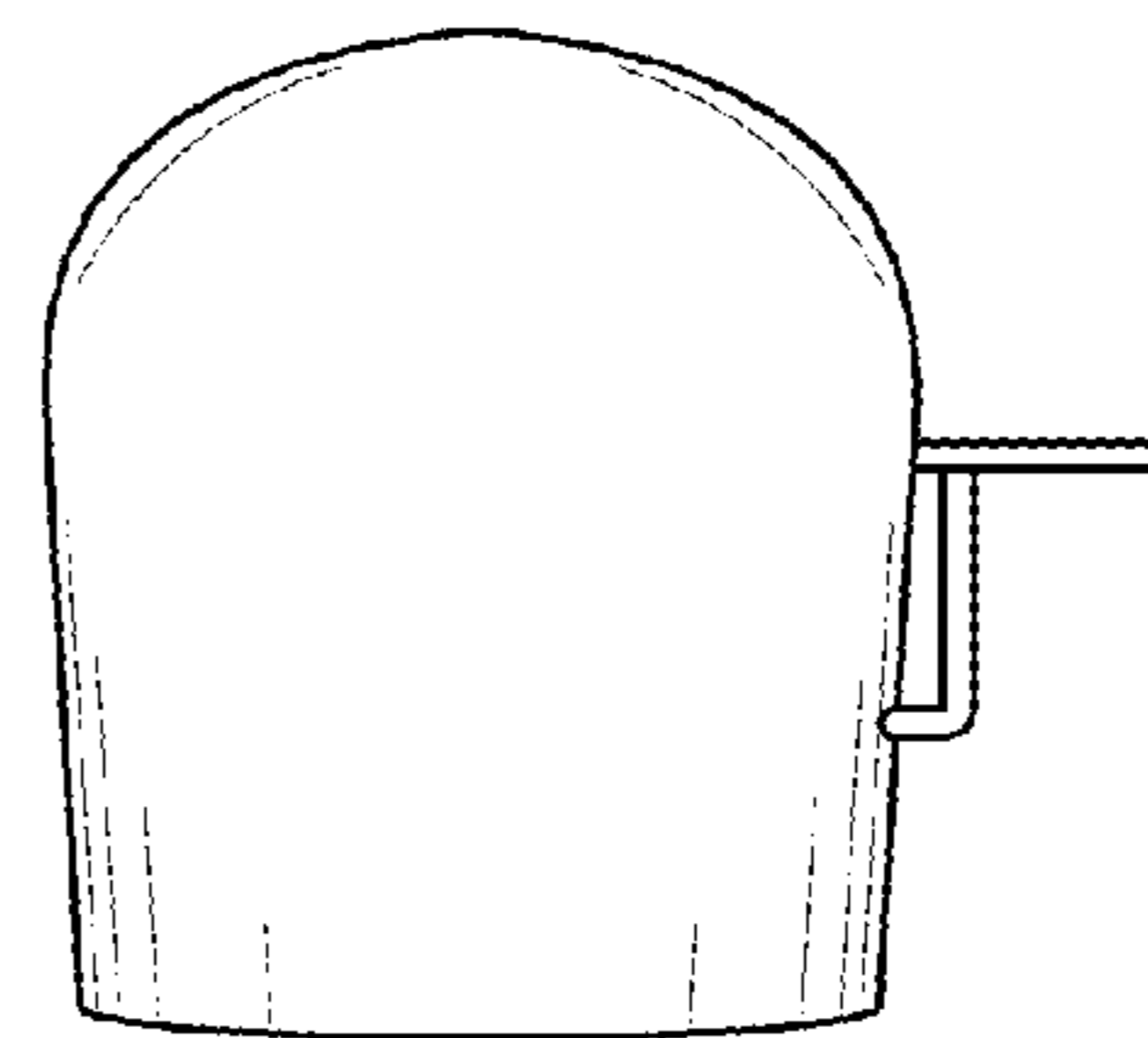


FIG. 7