



US00D759394S

(12) **United States Design Patent**
Hashemi

(10) **Patent No.:** **US D759,394 S**
(45) **Date of Patent:** **** Jun. 21, 2016**

(54) **THEATER SEAT**

FOREIGN PATENT DOCUMENTS

(71) Applicant: **IPIC-GOLD CLASS ENTERTAINMENT, LLC**, Boca Raton, FL (US)

EP 0126056 5/1984
EP 0778380 12/1995

(Continued)

(72) Inventor: **Abdol Hamid Hashemi**, Fort Lauderdale, FL (US)

OTHER PUBLICATIONS

(73) Assignee: **IPIC-GOLD CLASS ENTERTAINMENT, LLC**, Boca Raton, FL (US)

Lavelle, Ciara, "Ipic, Luxury Movie Theater Serving Food and Beverages, to Open in North Miami Beach," Miami New Times, published Jun. 11, 2014, accessed Apr. 14, 2015, <http://www.miaminewtimes.com/arts/ipic-luxury-theater-serving-food-and-beverages-to-open-in-north-miami-beach-6508512>.

(Continued)

(**) Term: **15 Years**

(21) Appl. No.: **29/531,692**

Primary Examiner — Sandra Snapp

(22) Filed: **Jun. 29, 2015**

(74) *Attorney, Agent, or Firm* — Buchanan Nipper

(51) **LOC (10) Cl.** **06-01**

(52) **U.S. Cl.**
USPC **D6/336**

(58) **Field of Classification Search**
USPC D6/334, 335, 336, 338, 349, 355, 381, D6/716, 716.1; 297/118, 119, 135, 144, 297/232, 445.1, 448.1, 452.18, 156, 175, 297/216.1; 5/12.1, 12.2
CPC A47C 1/02; A47C 1/12; A47C 11/00; A47C 17/00; A47C 17/02; A47C 4/52; A47C 9/00

See application file for complete search history.

(57) **CLAIM**

I claim the ornamental design for a theater seat, as shown and described.

DESCRIPTION

FIG. 1 is a left side front perspective view of a first embodiment of a theater seat showing my design.
FIG. 2 is a top plan view of the first embodiment.
FIG. 3 is a bottom view of the first embodiment.
FIG. 4 is a left elevation view of the first embodiment.
FIG. 5 is a right elevation view of the first embodiment.
FIG. 6 is a front elevation view of the first embodiment; and, FIG. 7 is a rear elevation view of the first embodiment.

The broken lines shown in the drawings illustrate portions of the theater seat that form no part of the claimed design. The shading lines in the drawings showing the environment are for illustration purposes only and form no part of the claimed design.

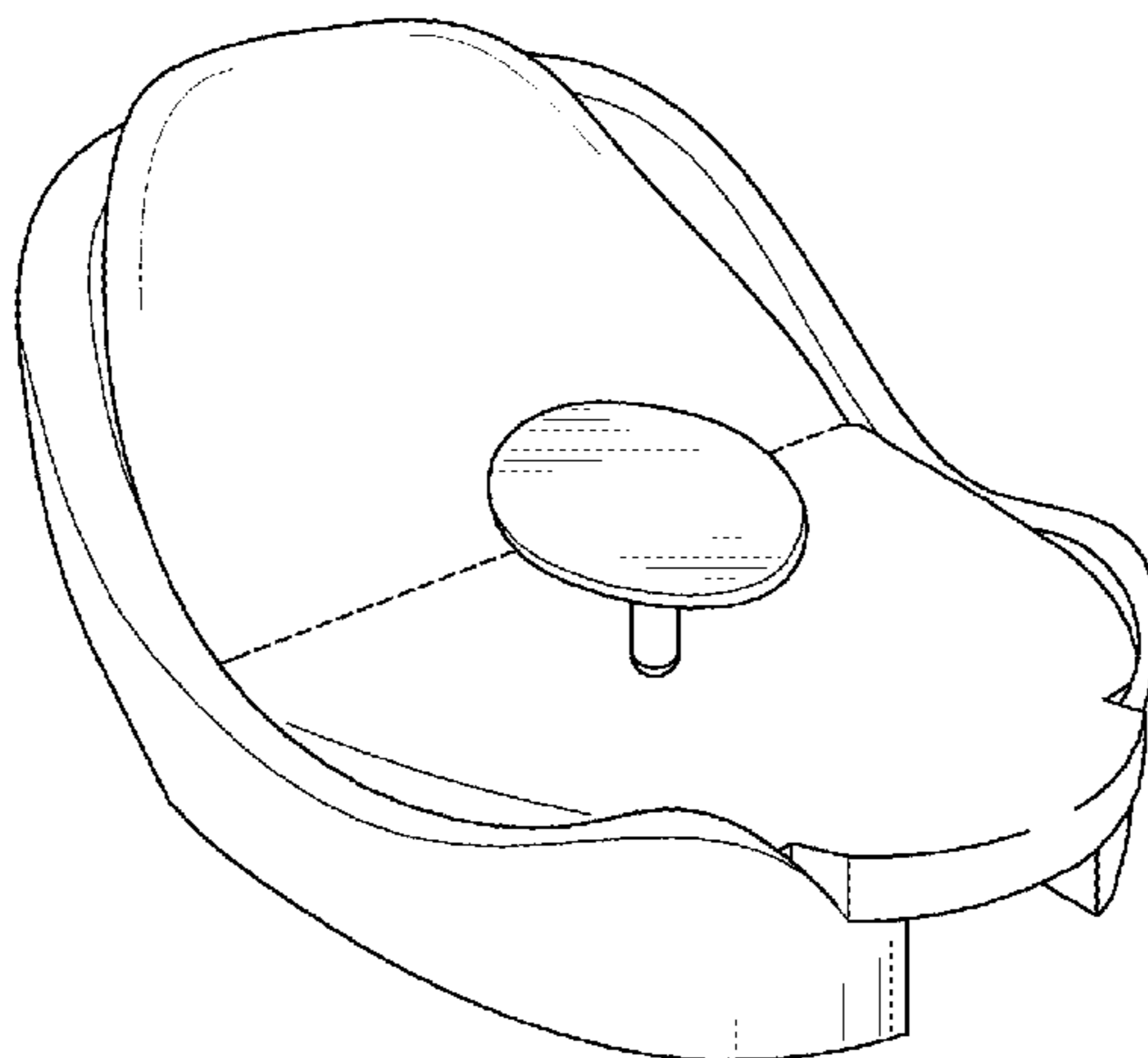
(56) **References Cited**

U.S. PATENT DOCUMENTS

1,348,069 A 7/1920 Van Fleet
1,660,263 A 2/1924 Fowler
1,523,944 A 1/1925 Fowler
1,701,577 A 2/1929 Lewis
2,041,194 A 10/1934 Lindenberg
2,419,498 A 4/1947 Newton

(Continued)

1 Claim, 3 Drawing Sheets



(56)

References Cited

U.S. PATENT DOCUMENTS

2,434,857 A 1/1948 Larson
 2,557,885 A 6/1951 Murphy et al.
 2,947,349 A 8/1960 Kryter
 D192,115 S * 1/1962 Ziegenfuss D6/336
 3,079,198 A 2/1963 Morgan et al.
 D212,009 S * 8/1968 Madlem D30/118
 3,545,143 A 12/1970 Bankston
 D223,535 S * 5/1972 Ghyezy D6/364
 3,668,810 A 6/1972 Bankston
 3,685,220 A 8/1972 Morrison
 3,762,767 A 10/1973 Powell
 D265,027 S * 6/1982 Meyers D6/334
 4,826,245 A 5/1989 Entratter
 4,936,620 A 6/1990 Francois et al.
 D309,199 S * 7/1990 McMahon D30/118
 5,141,285 A 8/1992 Park
 D382,945 S * 8/1997 Hansen D23/277
 D383,321 S * 9/1997 Honeycutt, Sr. D6/334
 D395,759 S * 7/1998 Smith D6/334
 5,845,434 A 12/1998 Hayashi
 D421,948 S 3/2000 Dryburgh et al.
 6,059,364 A 5/2000 Dryburgh et al.
 D429,912 S * 8/2000 Peterson D30/118
 D430,420 S * 9/2000 Peterson D30/118
 D431,914 S * 10/2000 Lewis D6/334
 D435,355 S * 12/2000 Peterson D30/118
 6,164,018 A 12/2000 Runge et al.
 6,227,489 B1 5/2001 Kitamoto et al.
 D459,096 S * 6/2002 Rossigno D6/336
 6,582,020 B1 6/2003 Tenenboym et al.
 6,644,736 B2 11/2003 Nguyen et al.
 6,692,069 B2 2/2004 Beroth et al.
 D541,064 S 4/2007 Miller et al.
 D550,464 S * 9/2007 Bauchet D6/334
 D552,853 S * 10/2007 Goodrick D30/118
 D552,854 S * 10/2007 Tseng D30/118
 D557,948 S * 12/2007 Ng D6/716.8
 7,419,214 B2 9/2008 Plant
 D587,911 S * 3/2009 Pearson D6/334
 D591,064 S * 4/2009 Lee D6/334
 D600,029 S * 9/2009 Paulin D6/334
 D606,326 S * 12/2009 Bassler D6/334
 7,798,446 B2 9/2010 Park
 D672,975 S * 12/2012 Rashid D6/335
 8,419,124 B2 4/2013 Kramer et al.

8,573,537 B2 11/2013 Bock
 D716,064 S * 10/2014 George, II D6/334
 D741,611 S * 10/2015 Lee D6/364
 2003/0131537 A1 7/2003 Krikorian et al.
 2003/0216185 A1 11/2003 Varley
 2007/0261981 A1 11/2007 Ojeda
 2009/0152915 A1 6/2009 Krasna et al.
 2009/0241433 A1 10/2009 Naito et al.
 2010/0065683 A1 3/2010 Darbyshire
 2013/0242263 A1 9/2013 Anderson
 2014/0225404 A1 8/2014 Ramirez Magana
 2014/0300152 A1 10/2014 Park et al.
 2014/0311046 A1 10/2014 Ramirez Magana
 2014/0318028 A1 10/2014 Anderson

FOREIGN PATENT DOCUMENTS

EP 1781539 3/2009
 WO WO2014141102 9/2014

OTHER PUBLICATIONS

Kim, Susanna, "Luxury Theaters for the Masses," ABC News, published Mar. 1, 2013, accessed Apr. 14, 2015, <http://abcnews.go.com/blogs/business/2013/03/luxury-theaters-for-the-masses/>.
 Glenwood, "Dinner and a Movie NYC Guide: AMC Movie Theater on Broadway and 84th", published Sep. 27, 2013, accessed Apr. 14, 2015, <http://www.glenwoodnyc.com/manhattan-living/amc-luxury-movie-theater-nyc/>.
 Fernquest, Jon, "900 baht luxury movie theatre," Bangkok Post, published Jun. 9, 2014, accessed Apr. 14, 2015, <http://www.bangkokpost.com/learning/learning-from-news/414366/900-baht-luxury-movie-theatre>.
 Richest Lifestyle, "Bangkok's Luxury Movie Theater: Embassy Diplomat Screens," Richestlifestyle.com, accessed Apr. 14, 2015, <http://www.richestlifestyle.com/bangkok-luxury-cinema-offers-mini-bar-sofas-butlers/>.
 Bocanewsnow.com Staff, "Boca's New iPic Movie Theater: Simply Awesome," Boca News Now, published Jul. 24, 2012, accessed Apr. 14, 2015, <http://bocanewsnow.com/2012/07/24/bocas-new-ipic-movie-theater-simply-awesome/>.
 Cinepolis, "California Cinepolis Luxury Cinemas Del Mar," accessed Apr. 14, 2015, <http://www.cinepolisusa.com/del-mar.aspx>.
 Embassy Diplomat Screens, "Embassy Diplomat Screens," accessed Apr. 14, 2015, <http://www.embassycineplex.com/information>.

* cited by examiner

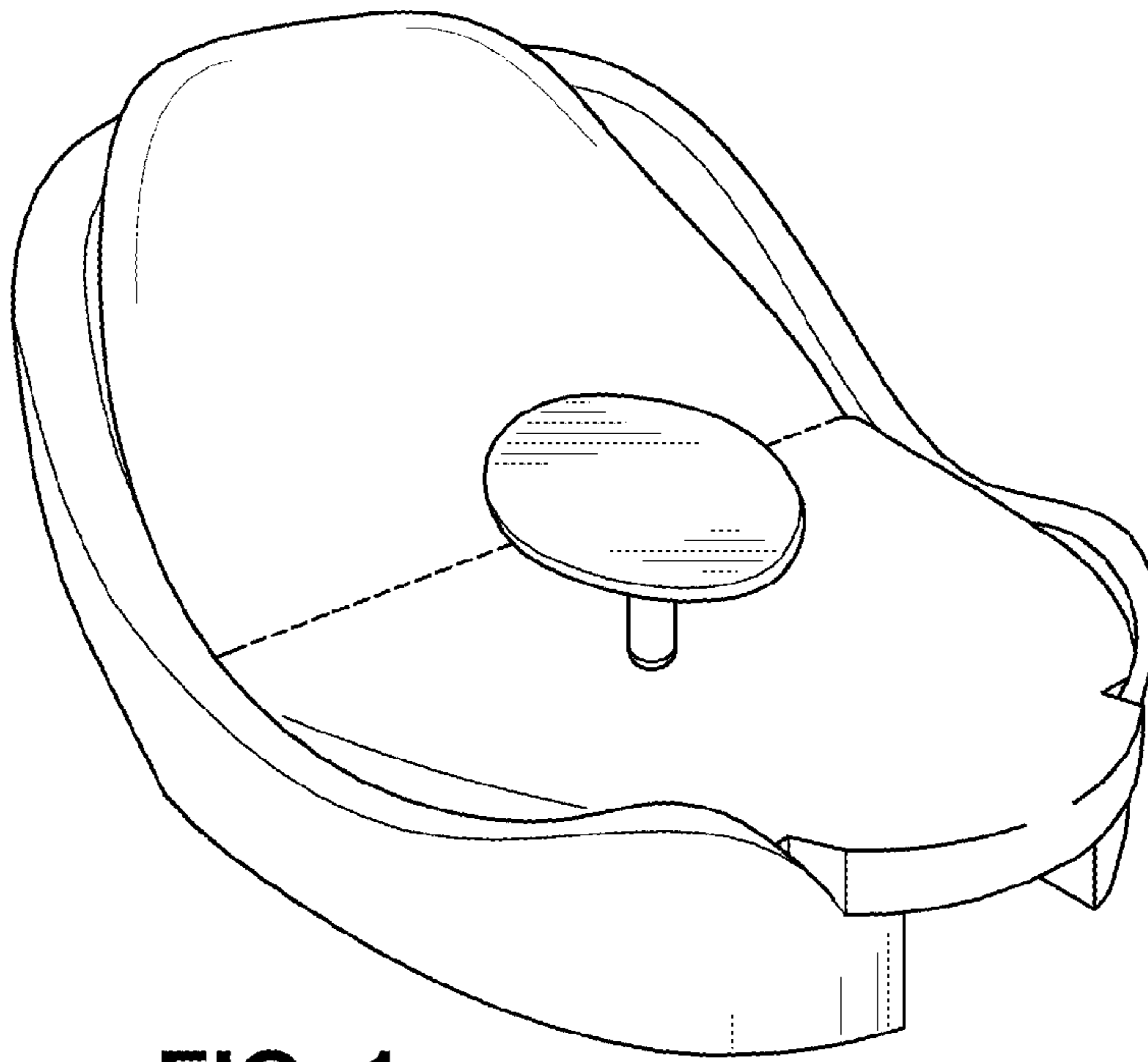


FIG. 1

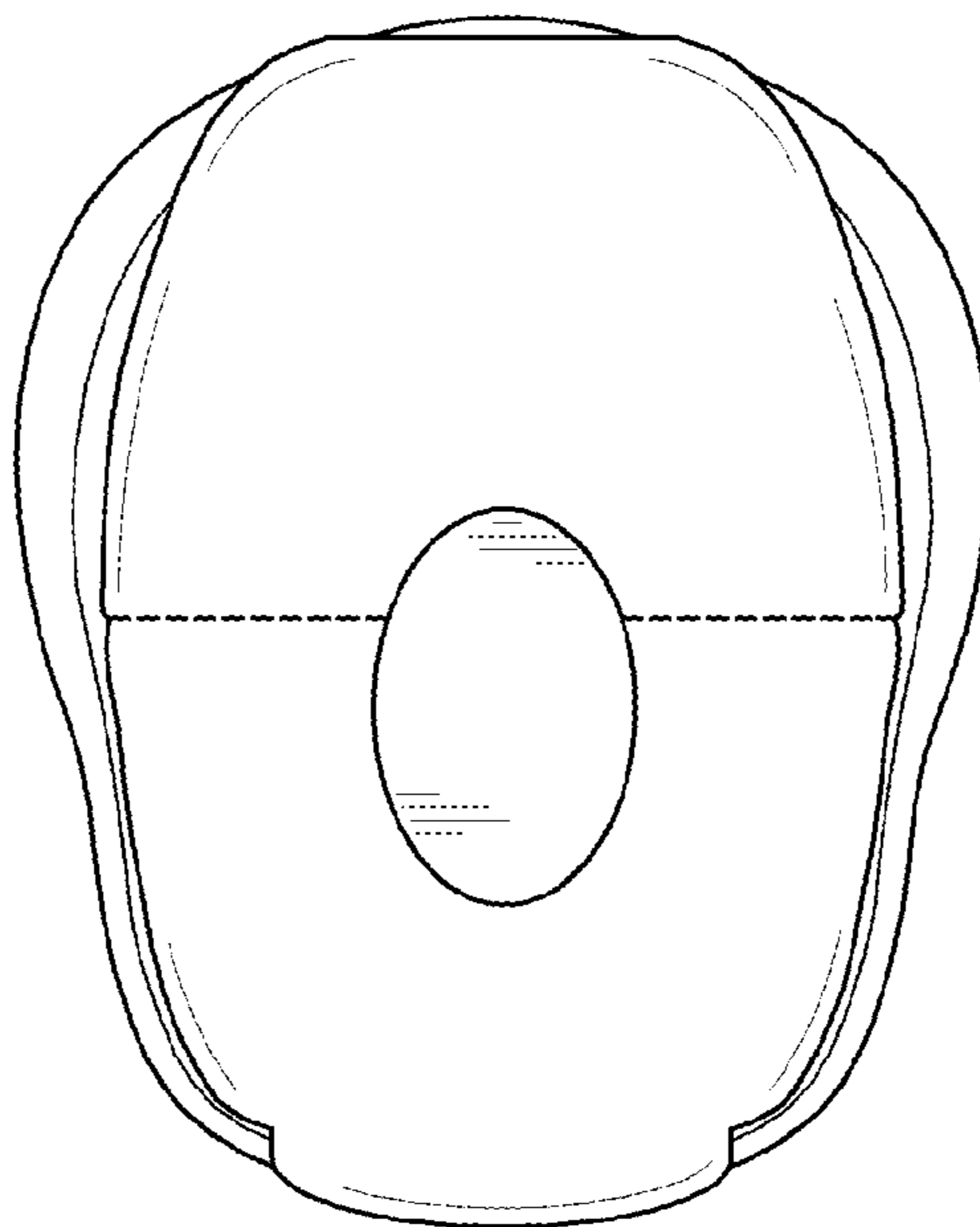


FIG. 2

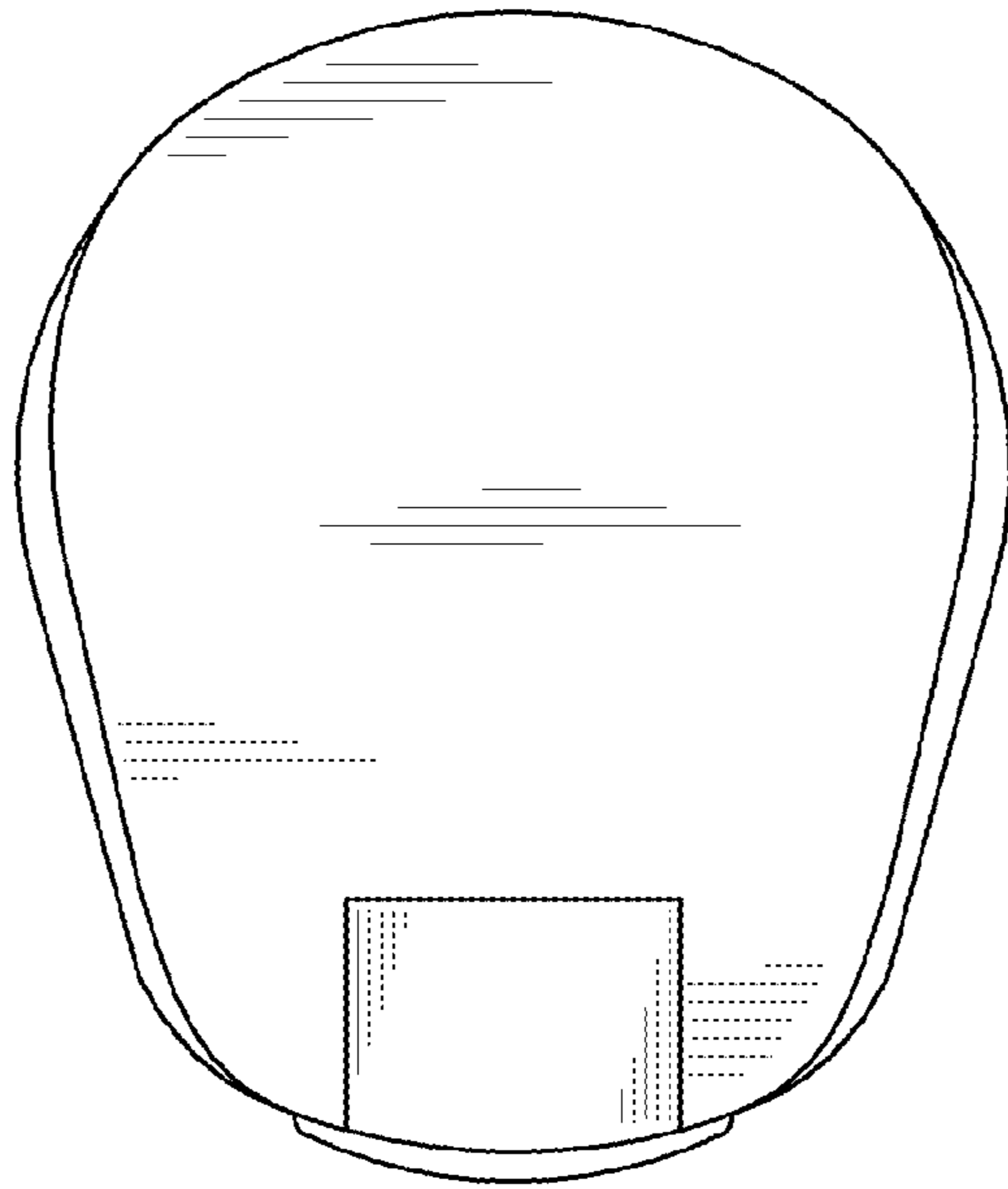


FIG. 3

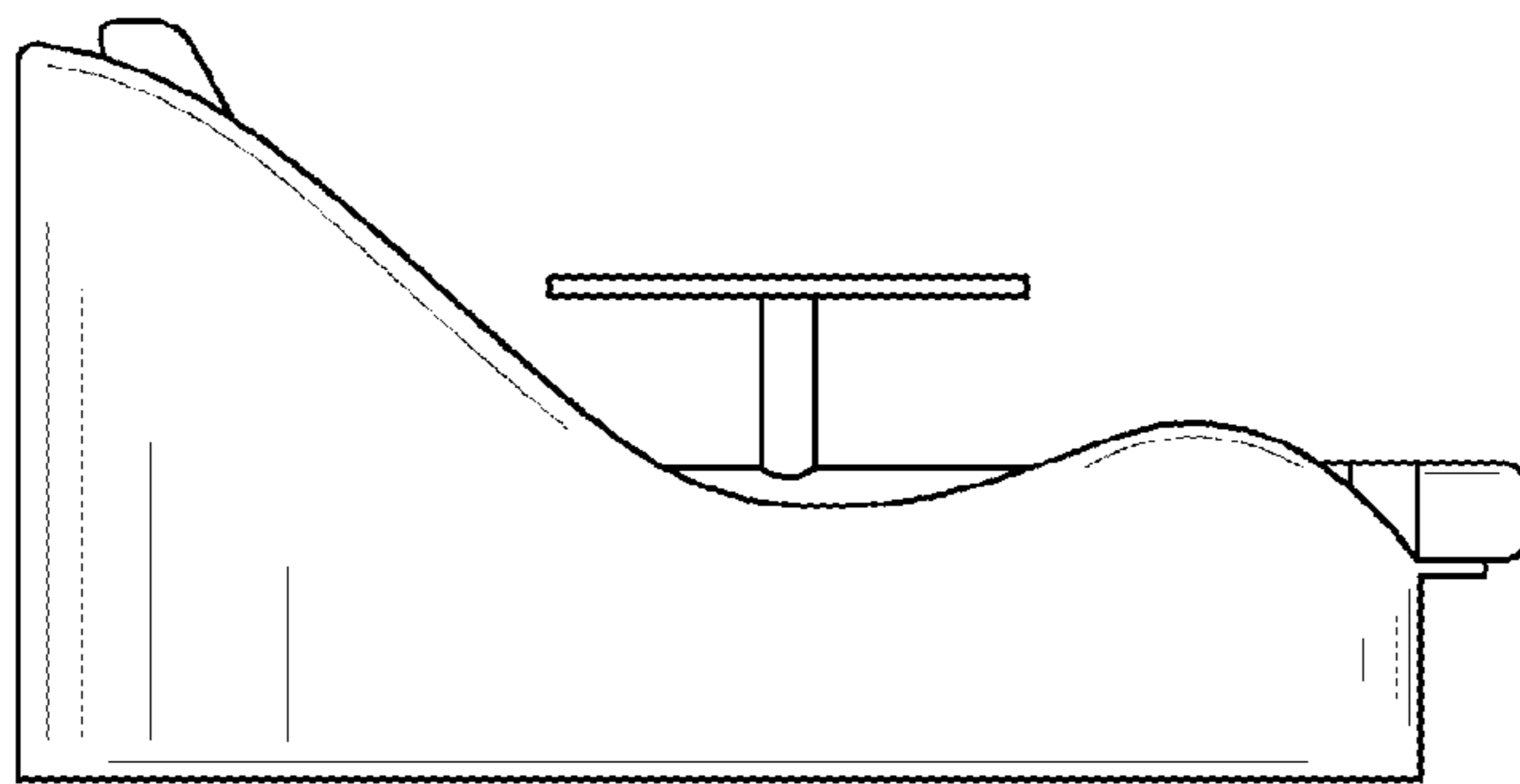


FIG. 4

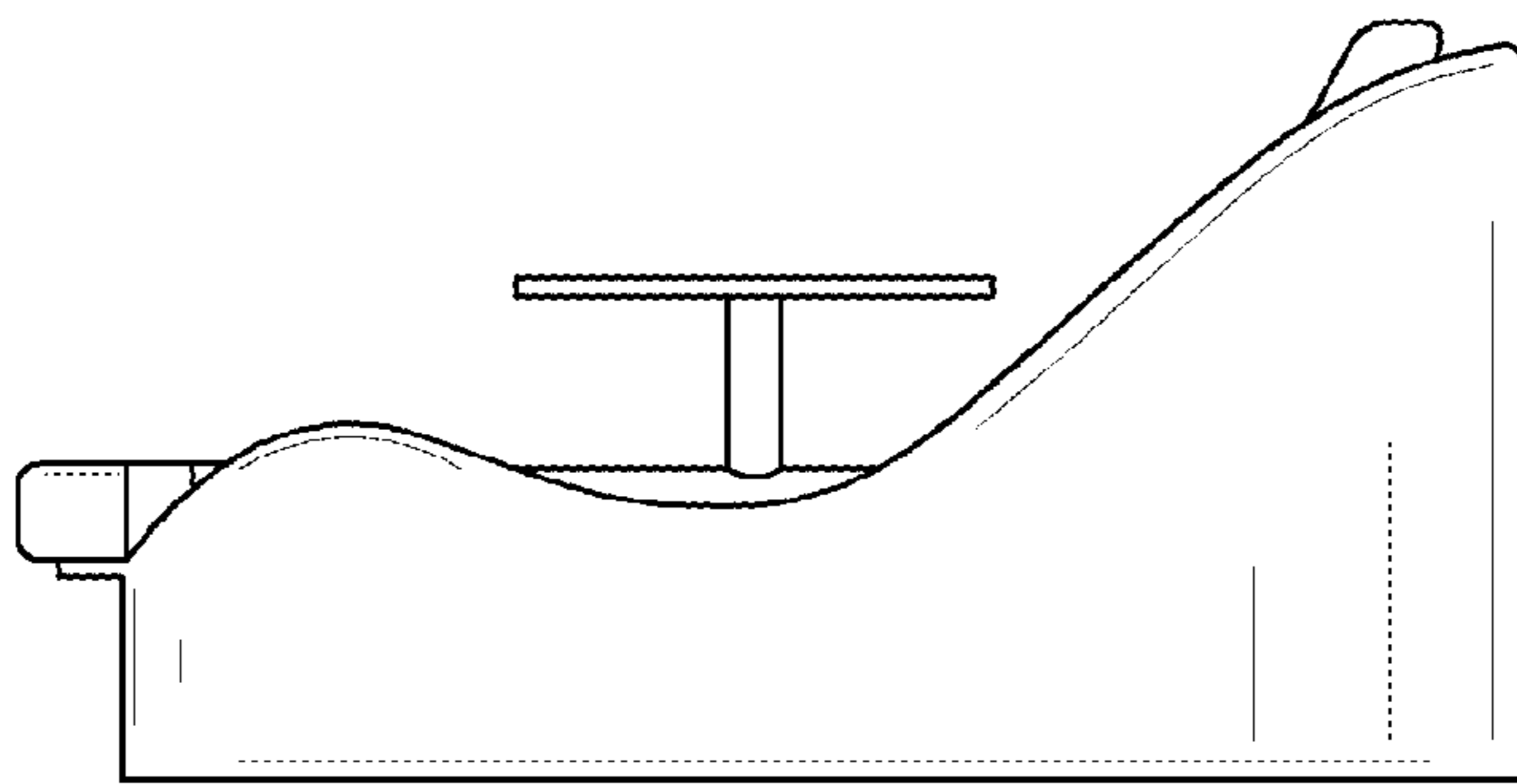


FIG. 5

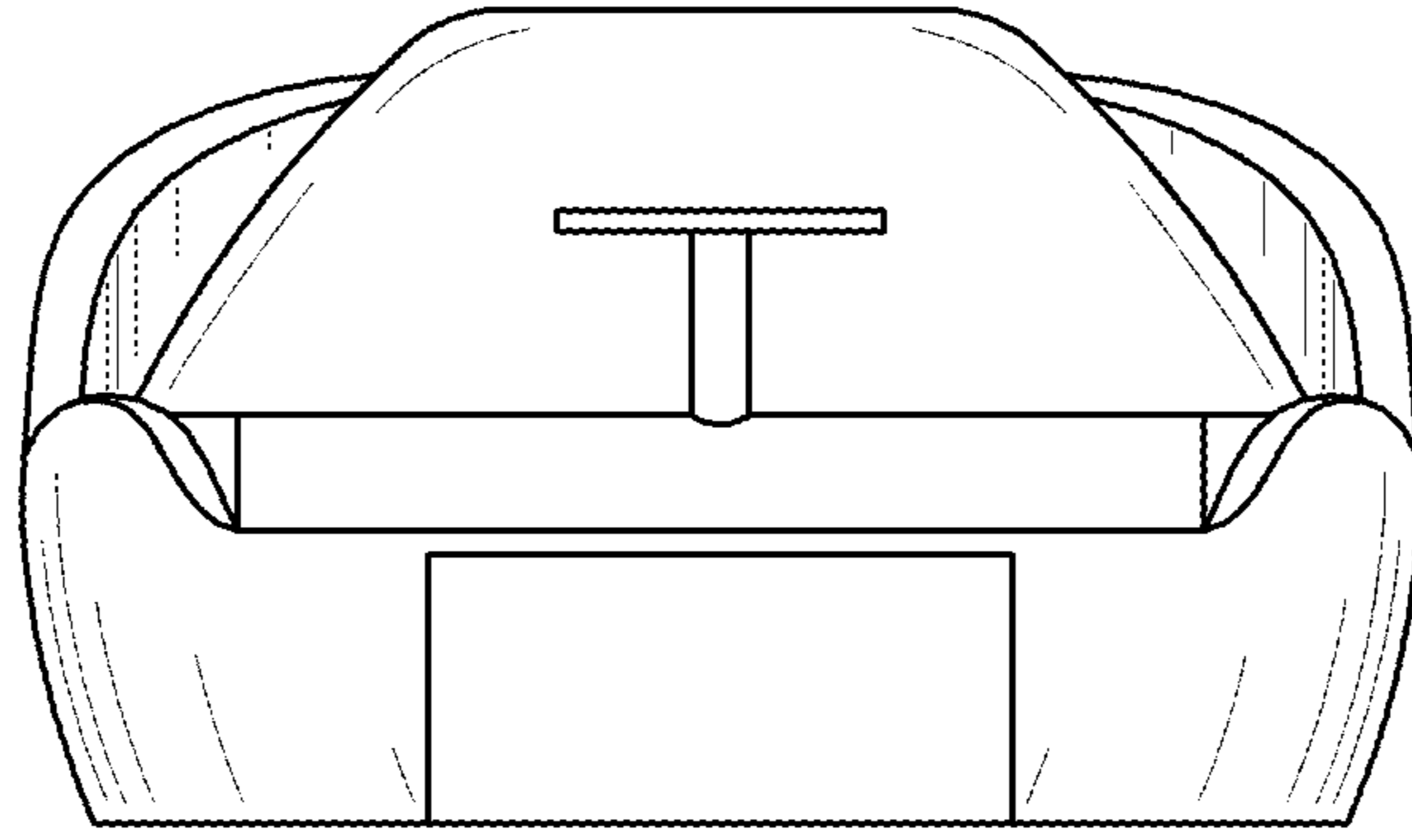


FIG. 6

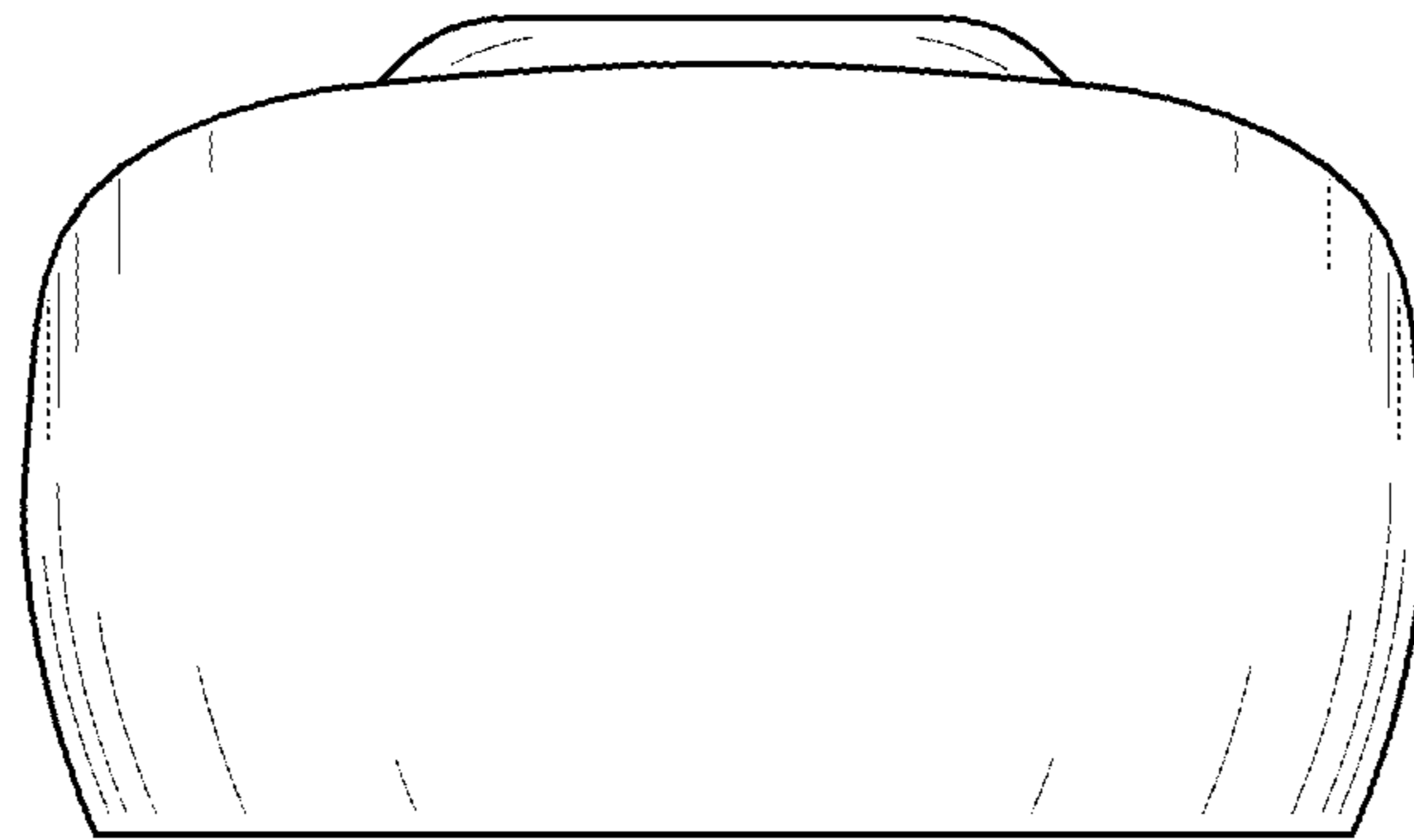


FIG. 7