



US00D759392S

(12) **United States Design Patent**  
**Yau**

(10) **Patent No.:** **US D759,392 S**  
(45) **Date of Patent:** **\*\* Jun. 21, 2016**

(54) **HANGER**

(71) Applicant: **Wai Shing Yau**, Hong Kong (HK)

(72) Inventor: **Wai Shing Yau**, Hong Kong (HK)

(\*\*) Term: **14 Years**

(21) Appl. No.: **29/465,768**

(22) Filed: **Aug. 30, 2013**

(51) **LOC (10) Cl.** ..... **06-08**

(52) **U.S. Cl.**

USPC ..... **D6/328**; D6/326

(58) **Field of Classification Search**

USPC ..... D6/315–328; 223/85–98; 211/10, 13.1,  
211/85.2, 87.01, 113

CPC ... A47G 25/28; A47G 25/487; A47G 25/485;  
A47G 25/473; A47G 25/66; A47G 25/36;  
A47G 25/48; A47G 25/50; A47G 25/34;  
A47G 25/445; A47G 2025/1492; A47F  
5/0006; A47F 7/19

See application file for complete search history.

(56) **References Cited**

**U.S. PATENT DOCUMENTS**

D190,843	S	*	7/1961	Levine	.....	D6/326
3,502,251	A	*	3/1970	Hart	.....	223/96
D225,151	S	*	11/1972	Hart	.....	D6/326
3,744,685	A	*	7/1973	Hart	.....	223/96
4,209,879	A	*	7/1980	Paajanen	.....	24/519
D271,552	S	*	11/1983	Samuels	.....	D6/319
D296,847	S	*	7/1988	Kawalek	.....	D6/326

(Continued)

*Primary Examiner* — Derrick Holland

*Assistant Examiner* — Lauren Calve

(74) *Attorney, Agent, or Firm* — Baker & McKenzie LLP

(57) **CLAIM**

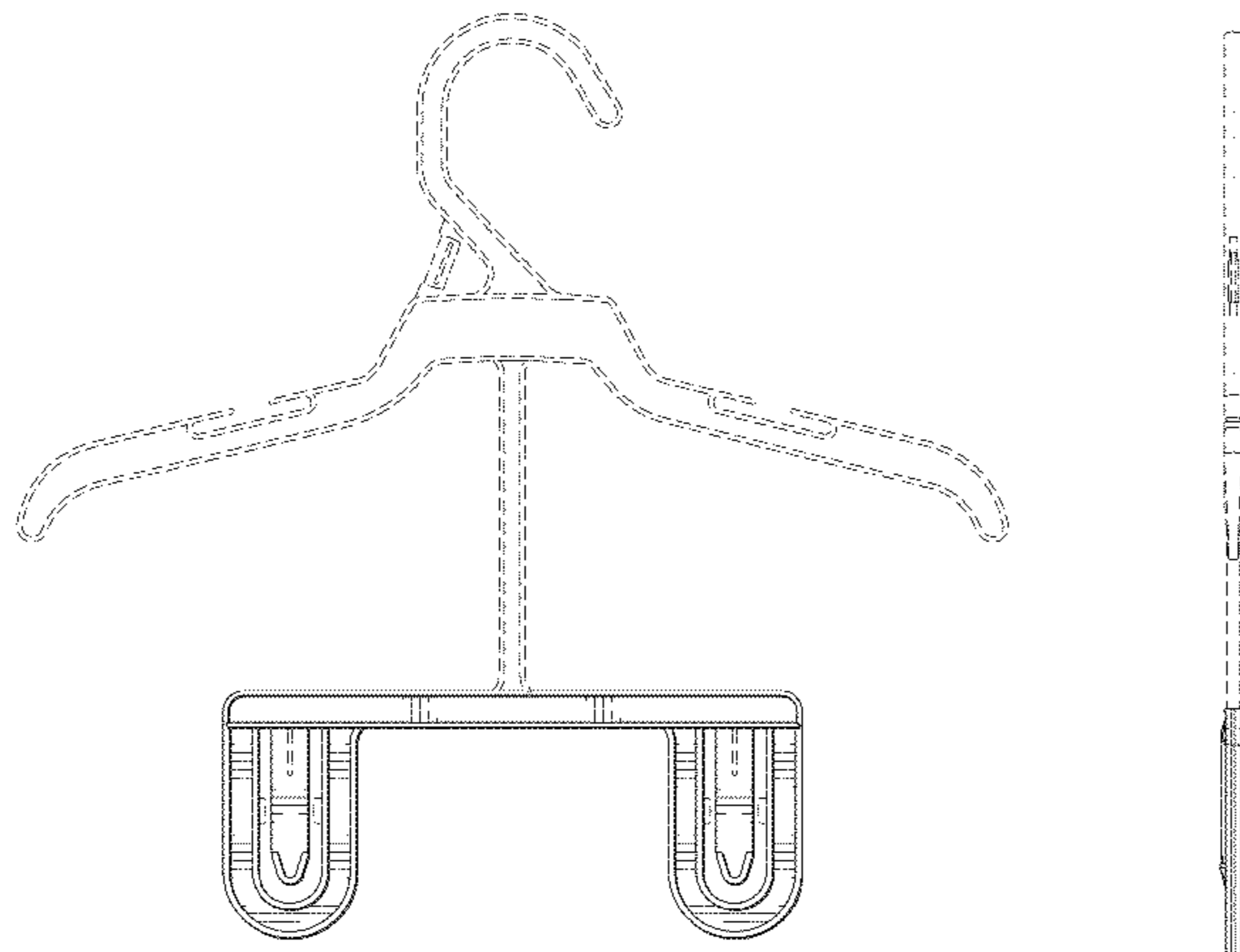
The ornamental design for a hanger, as shown and described.

**DESCRIPTION**

FIG. 1 is a front view of a hanger according to the present design;

FIG. 2 is a left side view thereof;  
 FIG. 3 is a right side view thereof;  
 FIG. 4 is a back view thereof;  
 FIG. 5 is a top view thereof;  
 FIG. 6 is a bottom view thereof;  
 FIG. 7 is a front view of a hanger according to a second embodiment;  
 FIG. 8 is a left side view thereof;  
 FIG. 9 is a right side view thereof;  
 FIG. 10 is a back view thereof;  
 FIG. 11 is a top view thereof;  
 FIG. 12 is a bottom view thereof;  
 FIG. 13 is a front view of a hanger according to a third embodiment;  
 FIG. 14 is a left side view thereof;  
 FIG. 15 is a right side view thereof;  
 FIG. 16 is a back view thereof;  
 FIG. 17 is a top view thereof;  
 FIG. 18 is a bottom view thereof;  
 FIG. 19 is a front view of a hanger according to a fourth embodiment;  
 FIG. 20 is a left side view thereof;  
 FIG. 21 is a right side view thereof;  
 FIG. 22 is a back view thereof;  
 FIG. 23 is a top view thereof;  
 FIG. 24 is a bottom view thereof;  
 FIG. 25 is a front view of a hanger according to a fifth embodiment;  
 FIG. 26 is a left side view thereof;  
 FIG. 27 is a right side view thereof;  
 FIG. 28 is a back view thereof;  
 FIG. 29 is a top view thereof;  
 FIG. 30 is a bottom view thereof;  
 FIG. 31 is a partial enlarged view of FIG. 19 according to the broken box indicated by “31” in FIG. 19; and,  
 FIG. 32 is a partial enlarged view of FIG. 25 according to the broken box indicated by “32” in FIG. 25.  
 The broken lines shown represent unclaimed subject matter and form no part of the claimed design.

**1 Claim, 11 Drawing Sheets**



# US D759,392 S

Page 2

---

(56)

## References Cited

D716,062 S \* 10/2014 Gouldson ..... D6/326  
2010/0019004 A1\* 1/2010 Gouldson ..... 223/88

## U.S. PATENT DOCUMENTS

D502,011 S \* 2/2005 Gouldson ..... D6/326 \* cited by examiner

FIG. 2



FIG. 1

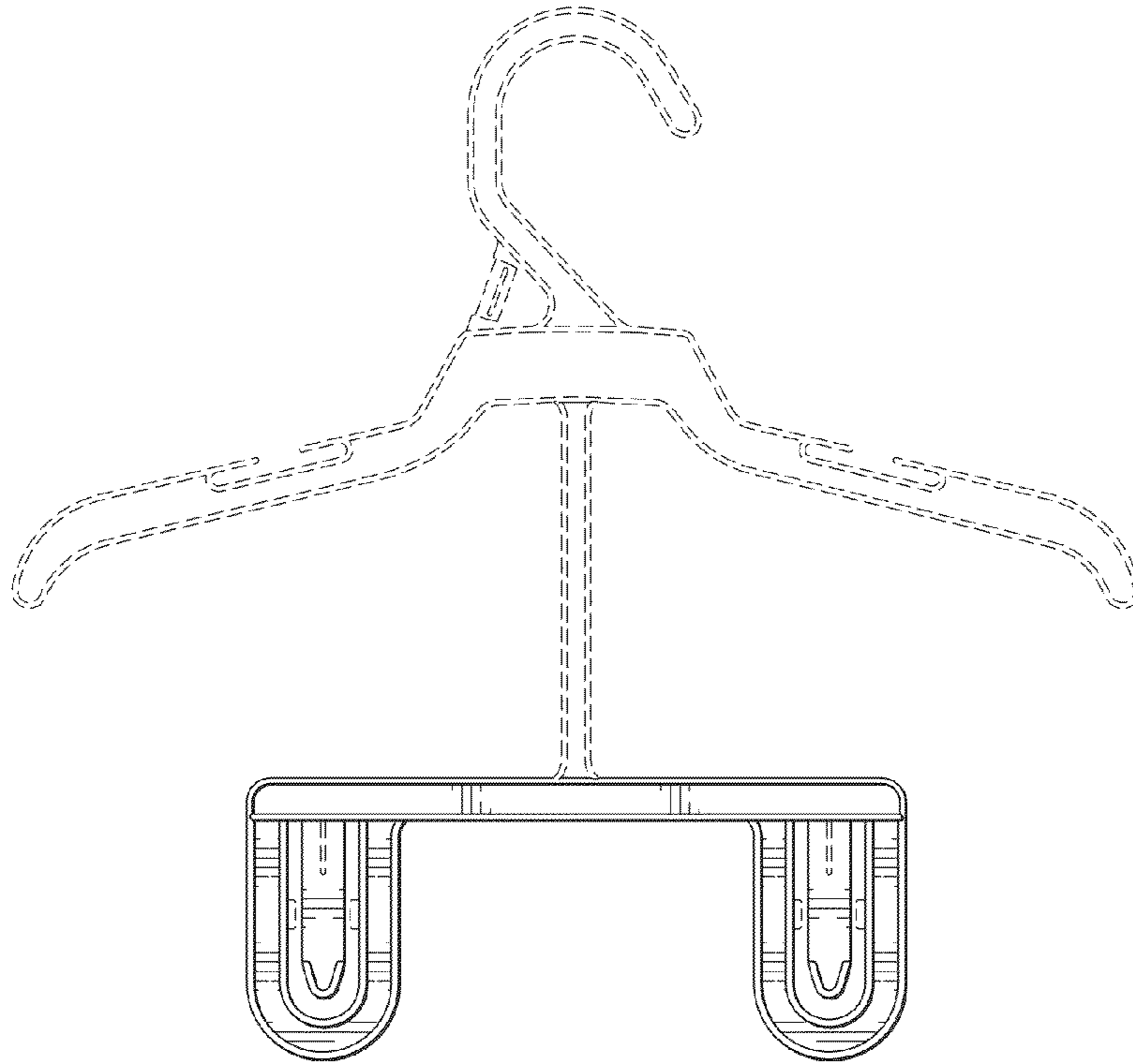


FIG. 3

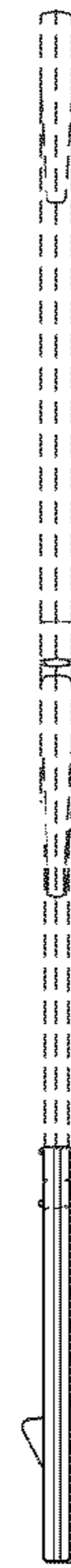


FIG. 5



FIG. 4

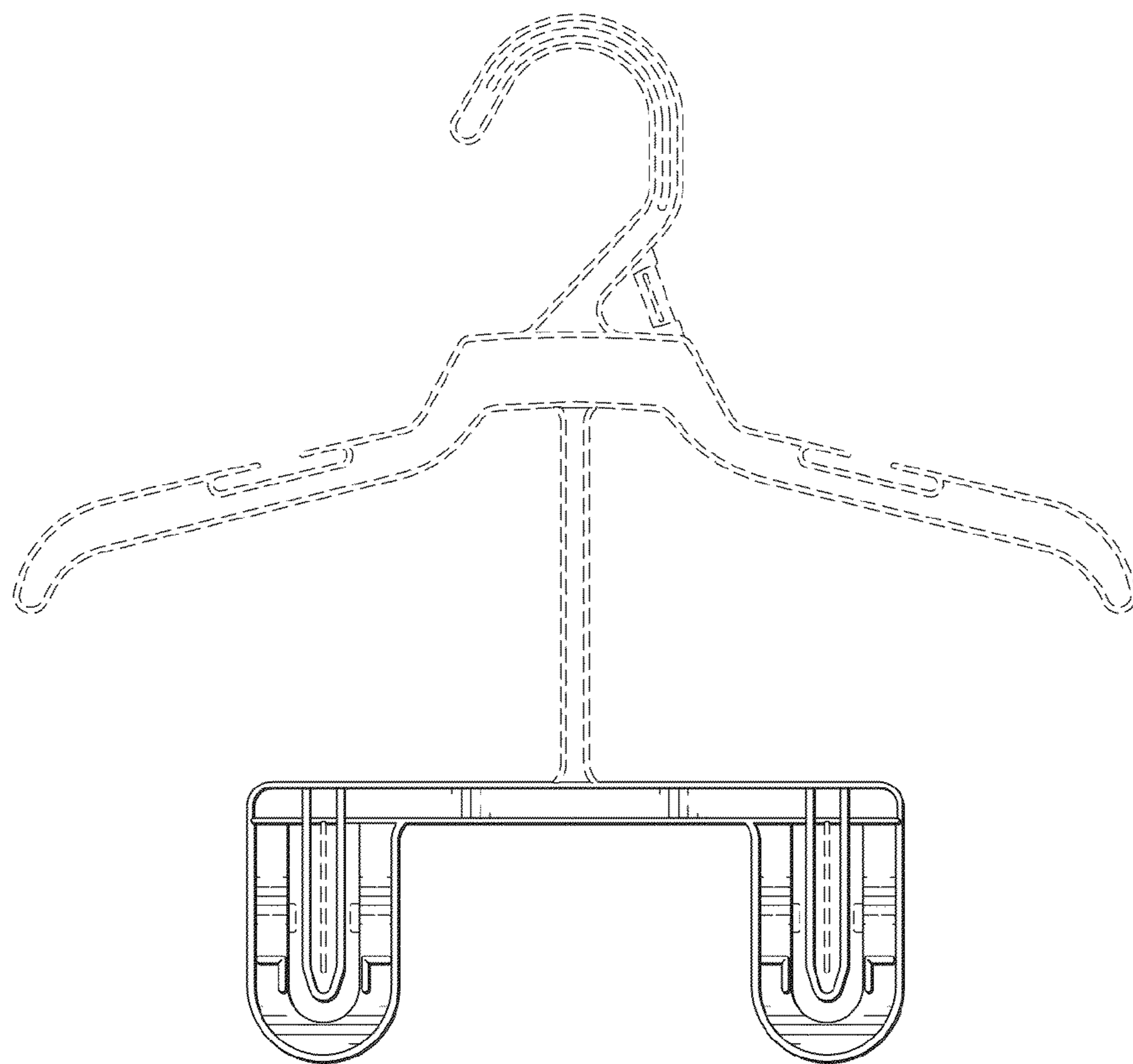


FIG. 6



FIG. 8



FIG. 7

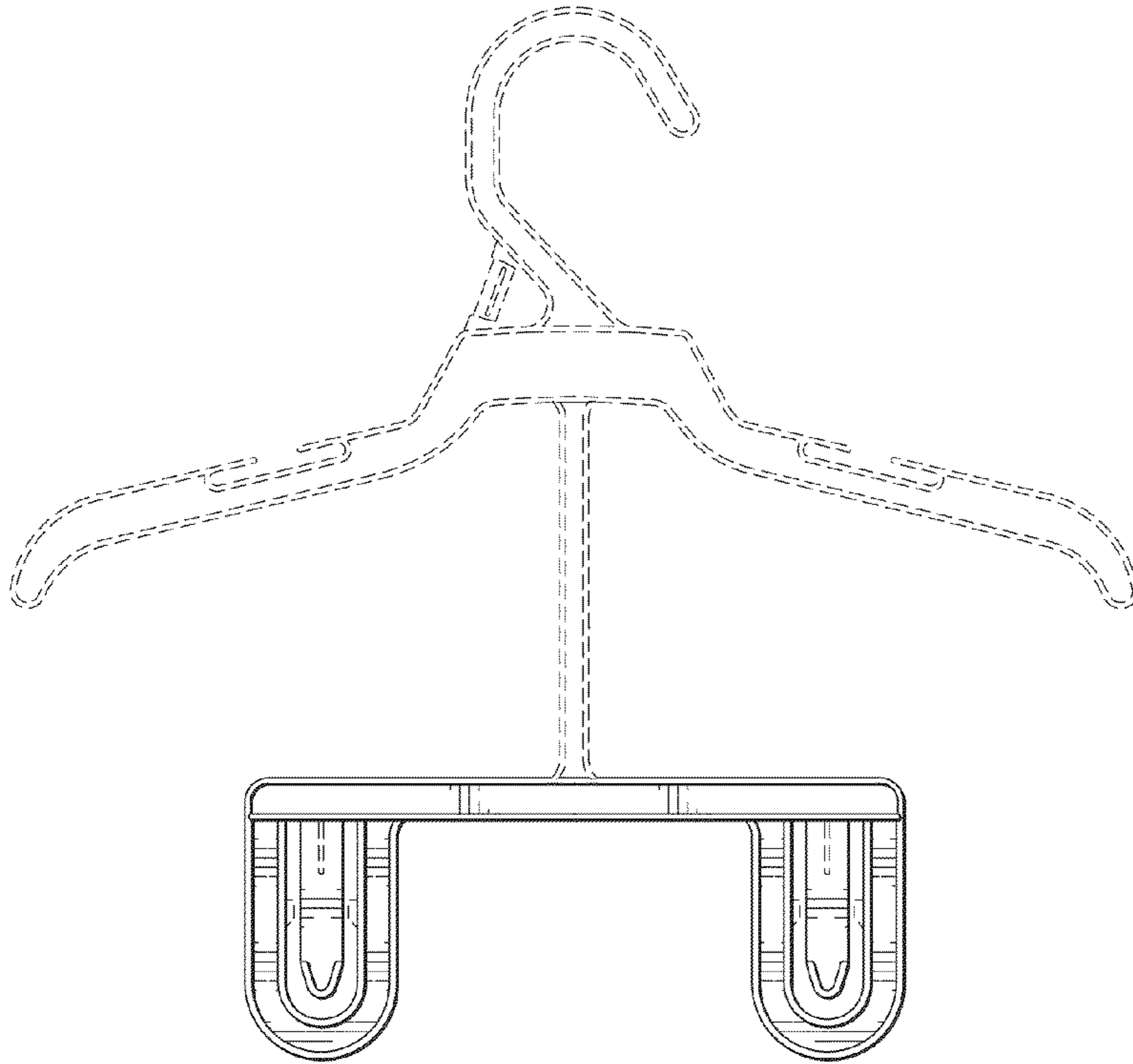


FIG. 9

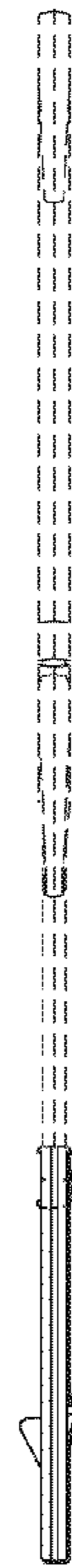


FIG. 11

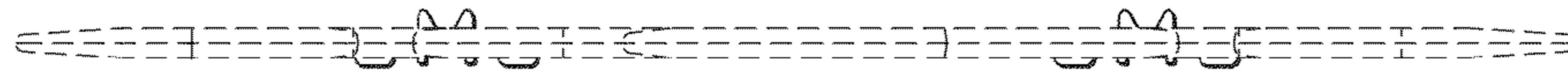


FIG. 10

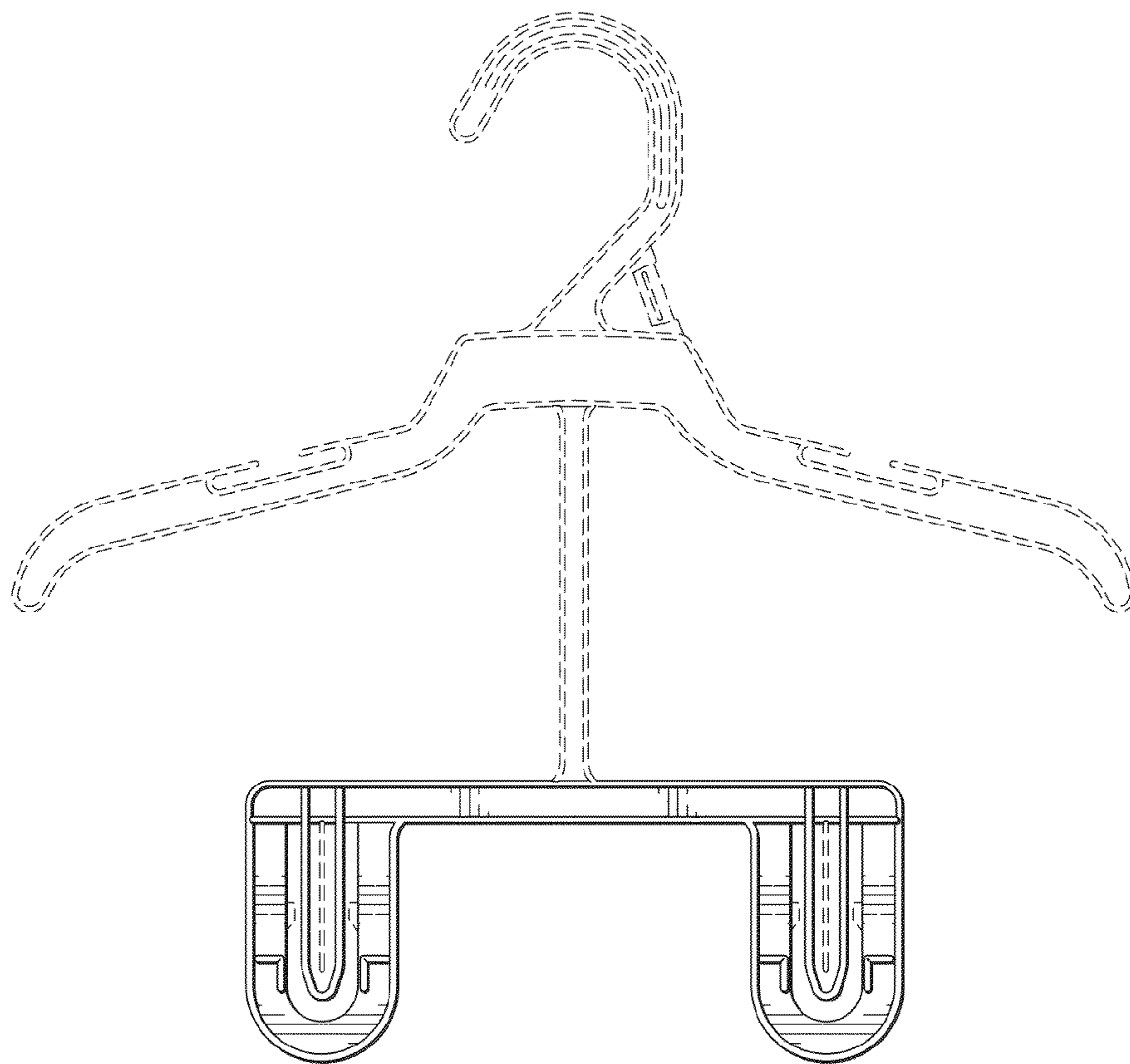


FIG. 12

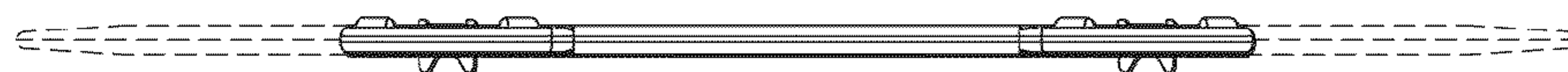


FIG. 14



FIG. 13

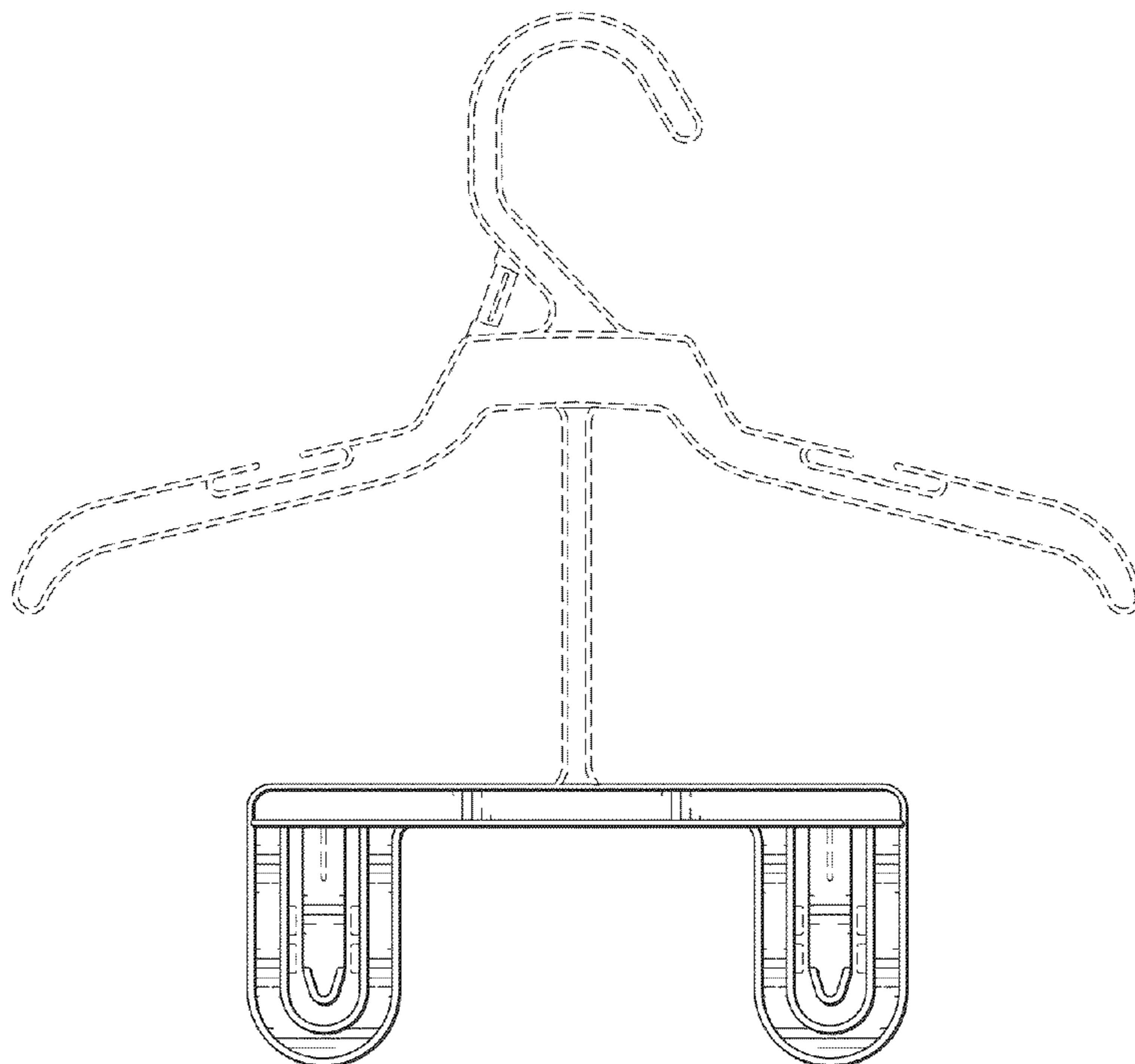


FIG. 15

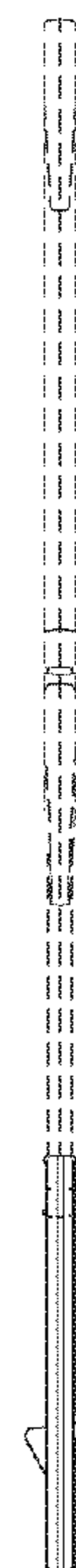


FIG. 17



FIG. 16

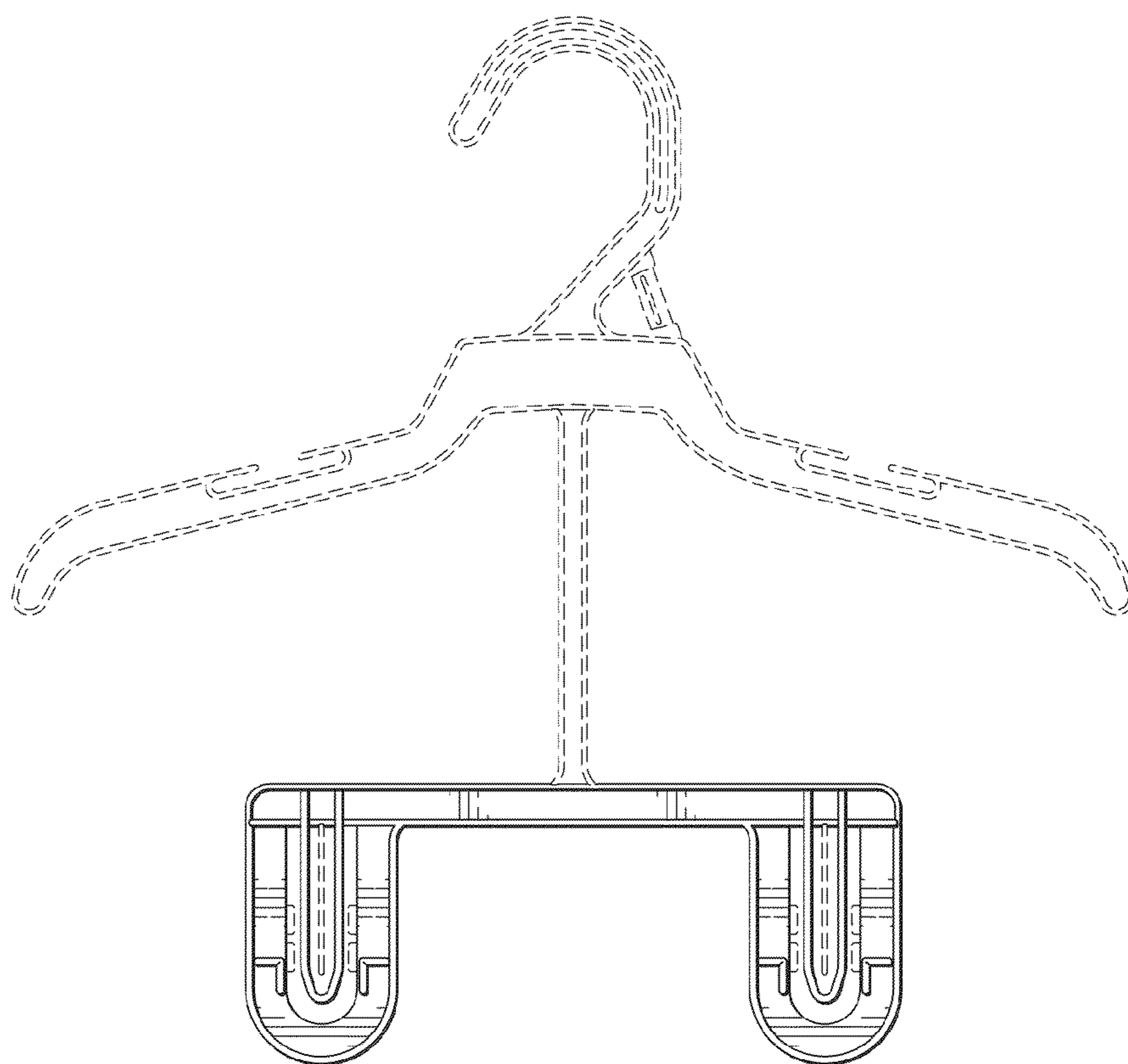


FIG. 18

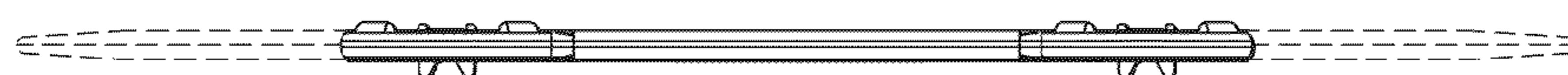




FIG. 20



FIG. 19

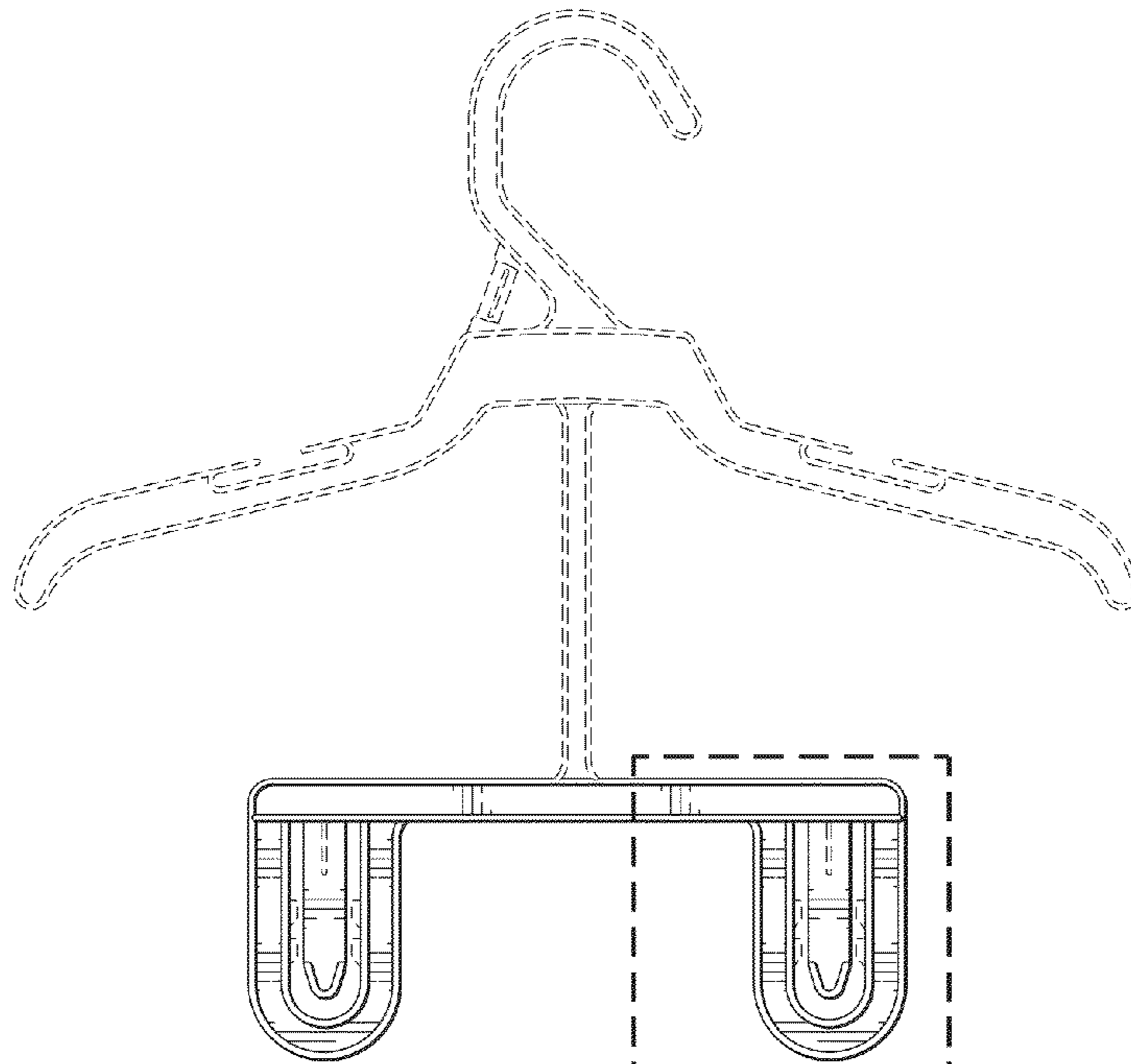


FIG. 21



FIG. 31

FIG. 23



FIG. 22

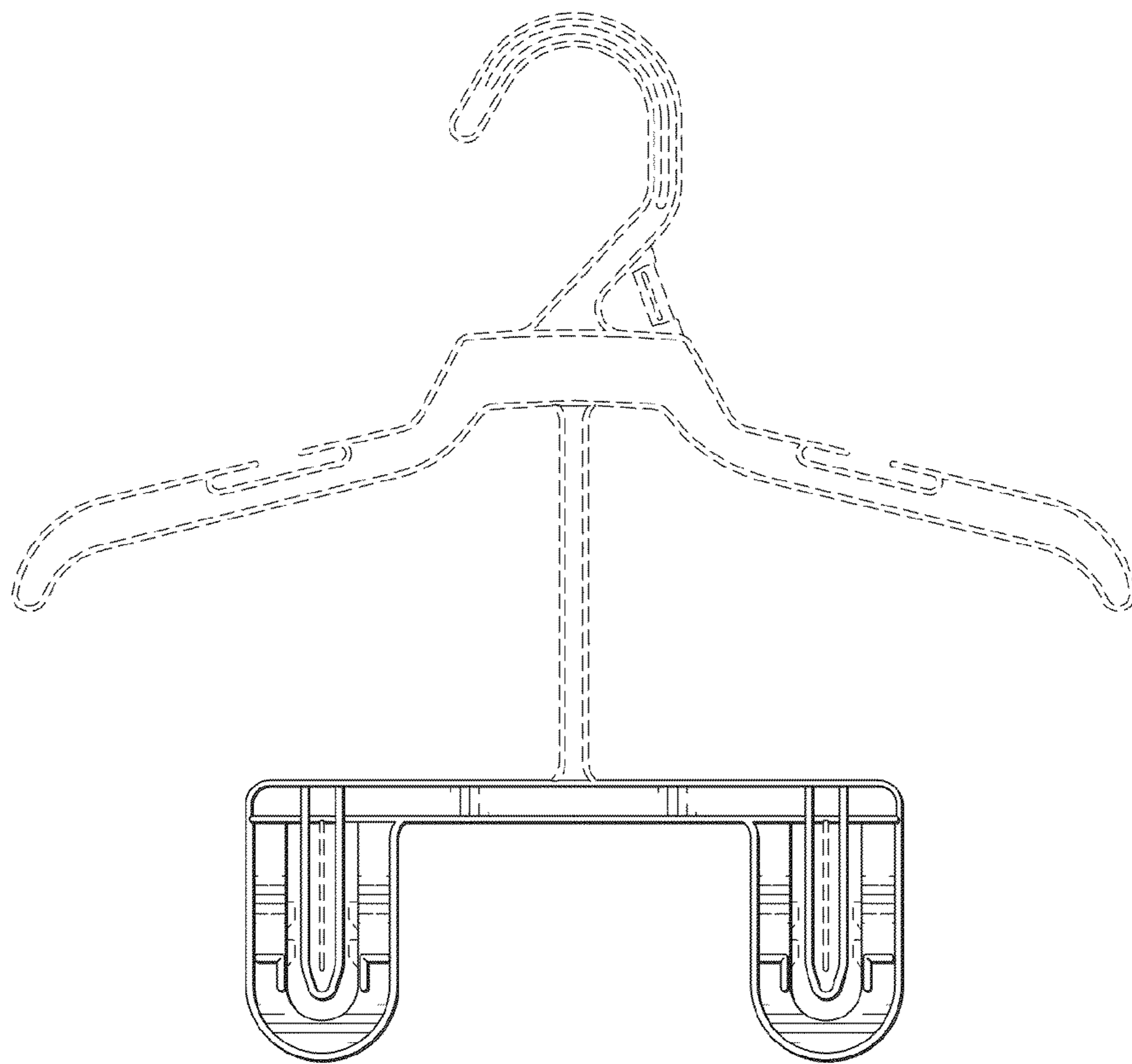


FIG. 24



FIG. 26



FIG. 25

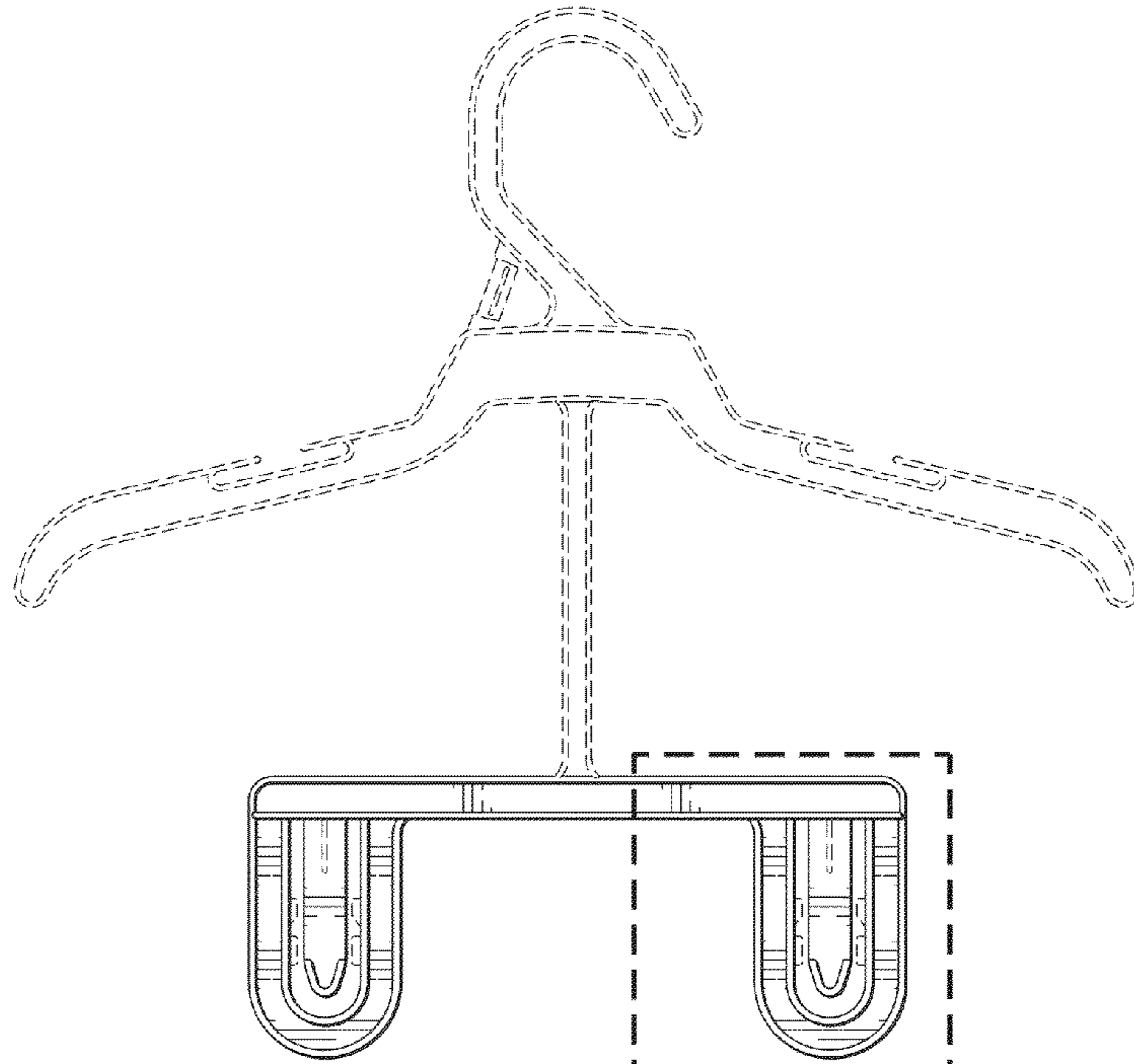


FIG. 27



FIG. 32

FIG. 29



FIG. 28

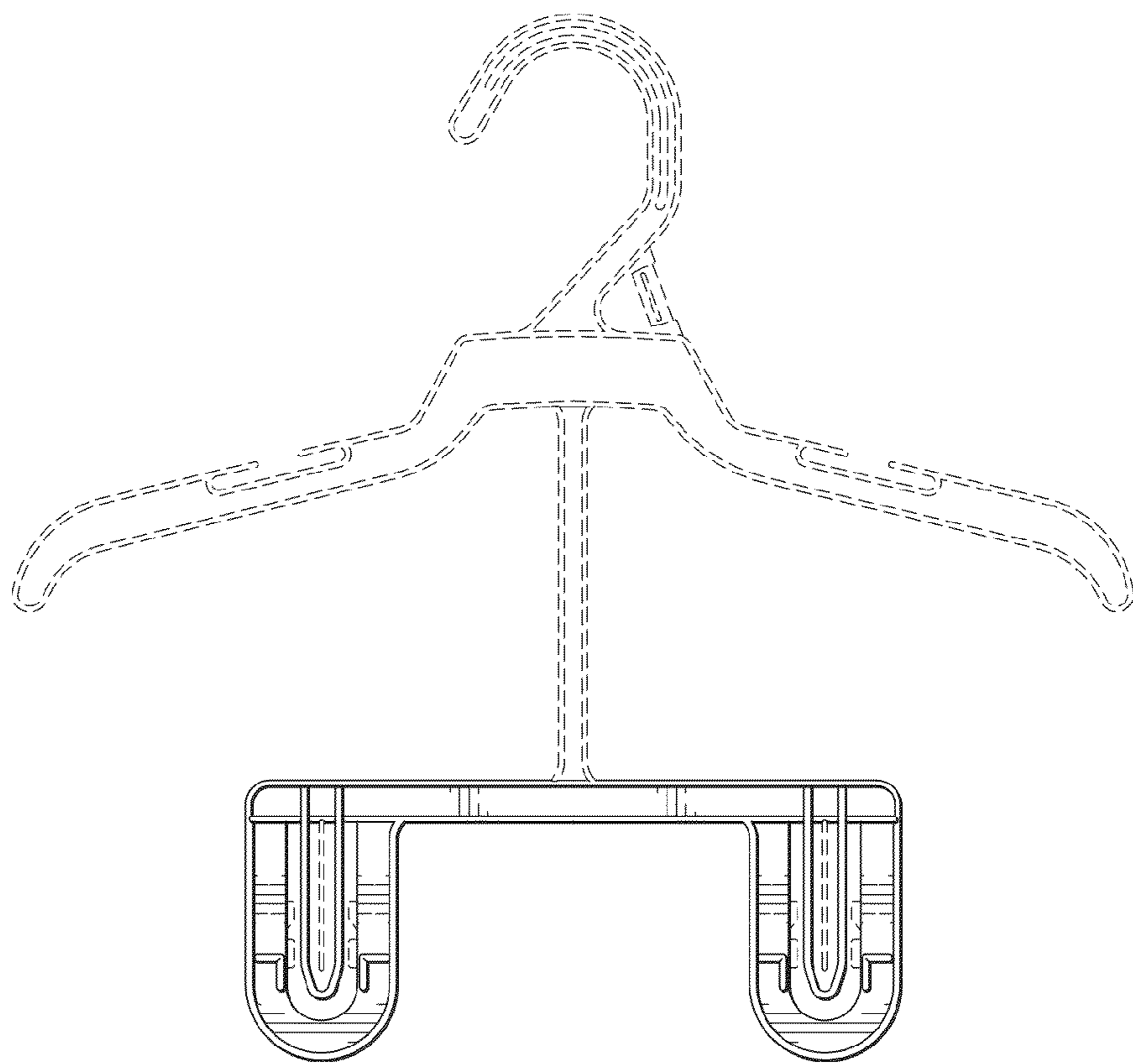


FIG. 30

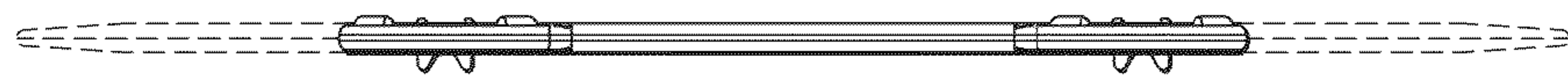


FIG. 31

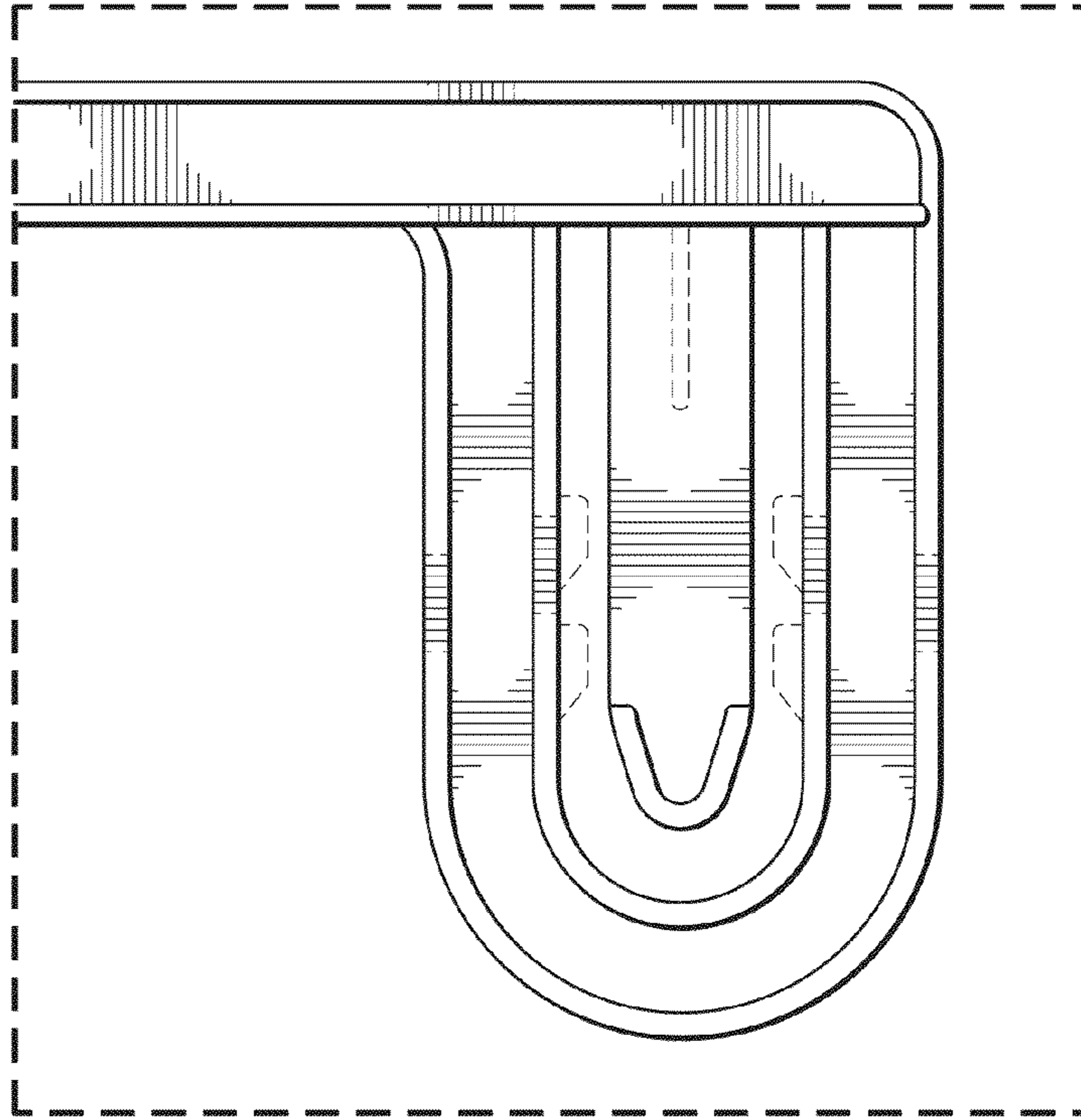


FIG. 32

