



US00D759382S

(12) **United States Design Patent**
Watkins

(10) **Patent No.:** **US D759,382 S**
(45) **Date of Patent:** **** Jun. 21, 2016**

(54) **HANDLE FOR ELECTRIC TOOTHBRUSH**

(71) Applicant: **KONINKLIJKE PHILIPS N.V.**,
Eindhoven (NL)

(72) Inventor: **Benjamin Raymond Watkins**, Seattle,
WA (US)

(73) Assignee: **KONINKLIJKE PHILIPS N.V.**,
Eindhoven (NL)

(**) Term: **14 Years**

(21) Appl. No.: **29/501,908**

(22) Filed: **Sep. 10, 2014**

(30) **Foreign Application Priority Data**

Mar. 12, 2014 (EM) 002422949-0002

(51) **LOC (10) Cl.** **04-02**

(52) **U.S. Cl.**
USPC **D4/101**

(58) **Field of Classification Search**

USPC D4/100-102, 104-112; D8/80, 82, 83,
D8/303; 81/57.11, 57.14, 57.31, 57.42;
132/308-311; 15/143.1, 145, 159.1,
15/160, 167.1, 167.2; 601/139, 141, 142;
D24/133, 152, 215; D13/103
CPC A46B 15/0055; A46B 15/0075; A46B
5/0095; A46B 5/00

See application file for complete search history.

(56) **References Cited**

U.S. PATENT DOCUMENTS

D455,556 S * 4/2002 Kling D4/101
D458,028 S * 6/2002 McCurrach D4/101

D533,720 S * 12/2006 Vu D4/101
D580,173 S * 11/2008 Beedham D4/101
D636,604 S * 4/2011 Zhuan D4/101
D688,464 S * 8/2013 Hara D4/101
D696,023 S * 12/2013 Gebski D4/101
D717,547 S * 11/2014 Adriaenssen D4/101

OTHER PUBLICATIONS

WOD075982-001, WIPO Registered Design, TRISA HOLDING AG, May 29, 2012, [online], [retrieved on Sep. 15, 2015] from the Questel Intellectual Property Portal Design Database. Internet: <URL:"http://www.orbit.com">.*

JP D1489687, Japanese Registered Design, (Coe Nink degradation Philips NV Ventura) Feb. 10, 2014, [online], [retrieved on Sep. 17, 2015] from the Questel Intellectual Property Portal Design Database. Internet: <URL:"http://www.orbit.com">.*

(Continued)

Primary Examiner — Cynthia Ramirez

Assistant Examiner — Llorellys Martinez-Rivera

(57) **CLAIM**

The ornamental design for a handle for electric toothbrush, as shown and described.

DESCRIPTION

FIG. 1 is a perspective view of a handle for electric toothbrush showing my new design;

FIG. 2 is a front elevational view thereof;

FIG. 3 is a rear elevational view thereof;

FIG. 4 is a right side elevational view thereof;

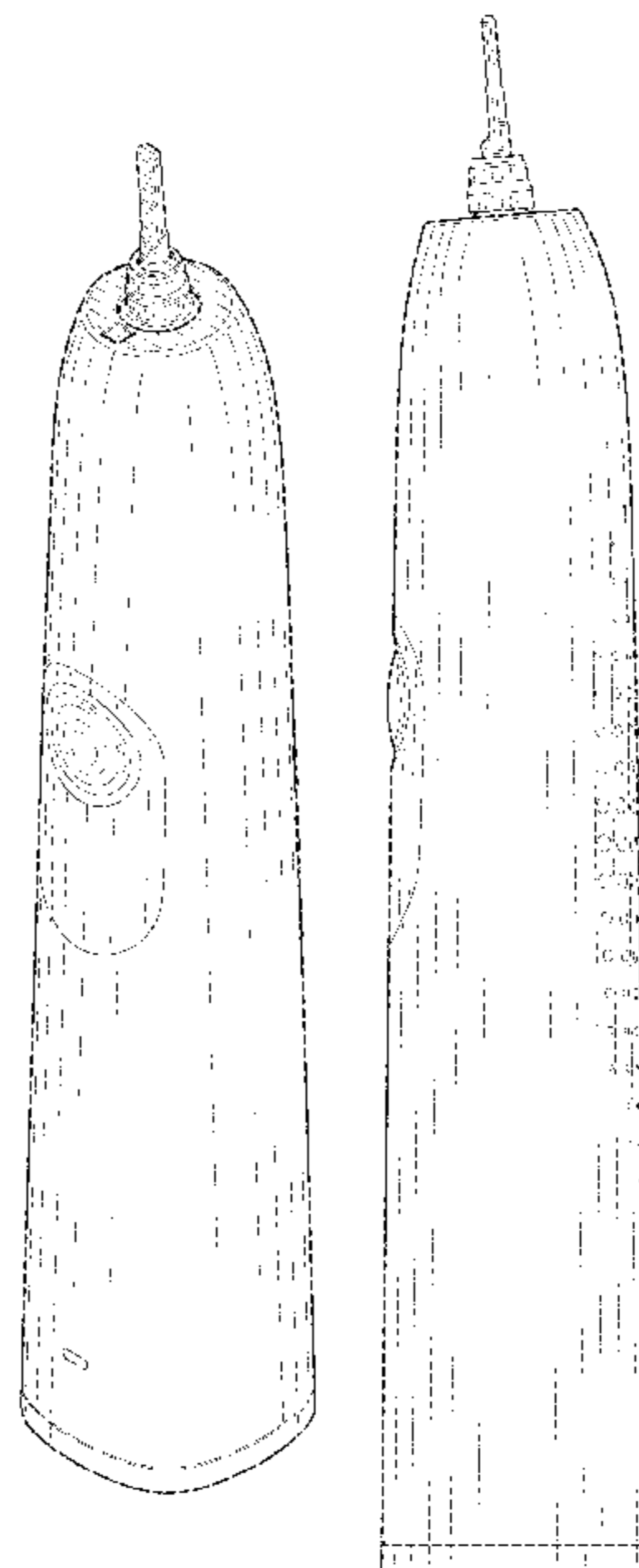
FIG. 5 is a left side elevational view thereof;

FIG. 6 is an enlarged top plan view thereof; and,

FIG. 7 is a bottom plan view thereof.

The broken lines shown in FIG. 7 illustrate portions of the handle for an electric toothbrush that form no part of the claimed design.

1 Claim, 6 Drawing Sheets



(56)

References Cited

OTHER PUBLICATIONS

JP D1489686, Japanese Registered Design, (Coe Nink degradation Philips NV Ventura) Feb. 10, 2014, [online], [retrieved on Sep. 15, 2015] from the Questel Intellectual Property Portal Design Database. Internet: <URL:"http://www.orbit.com">.*

EU 001399141-0001, European Registered Design, (KEA Products Ltd.) Jan. 28, 2014, [online], [retrieved on Sep. 17, 2015] from the Questel Intellectual Property Portal Design Database. Internet: <URL:"http://www.orbit.com">.*

* cited by examiner

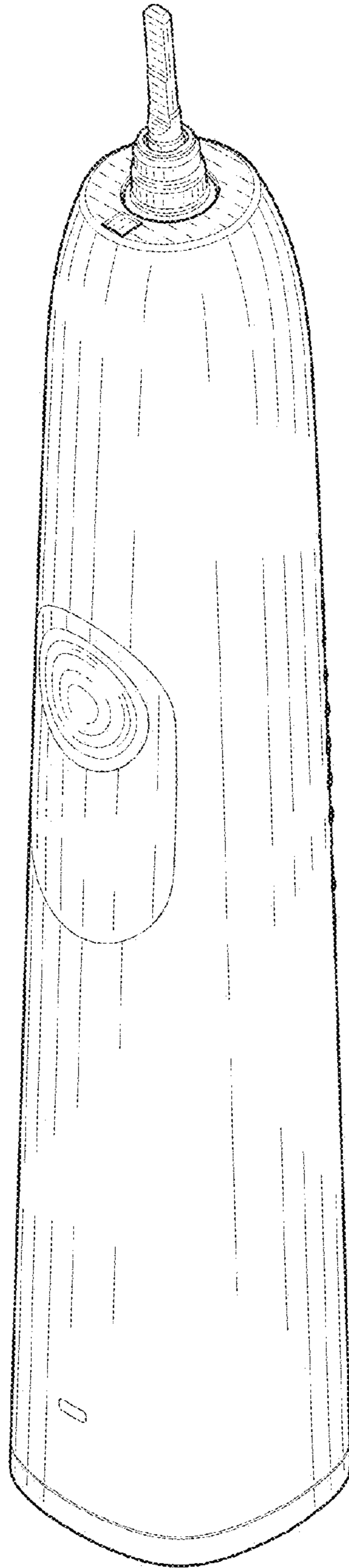


FIG. 1

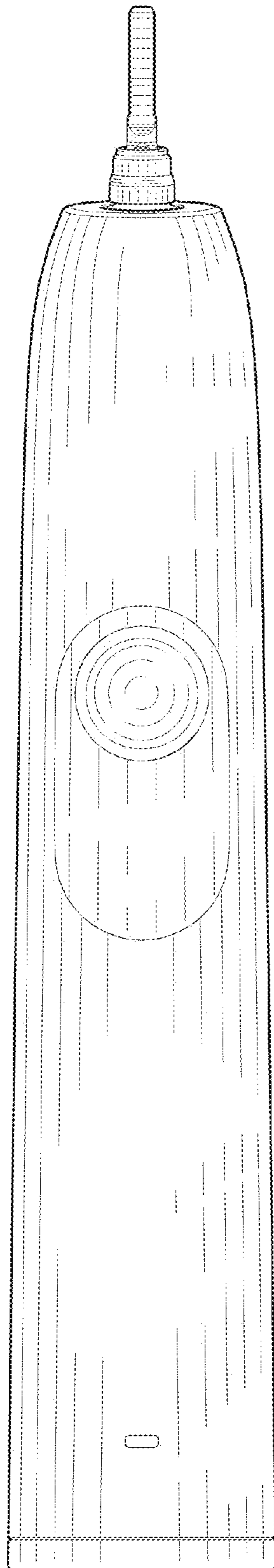


FIG. 2

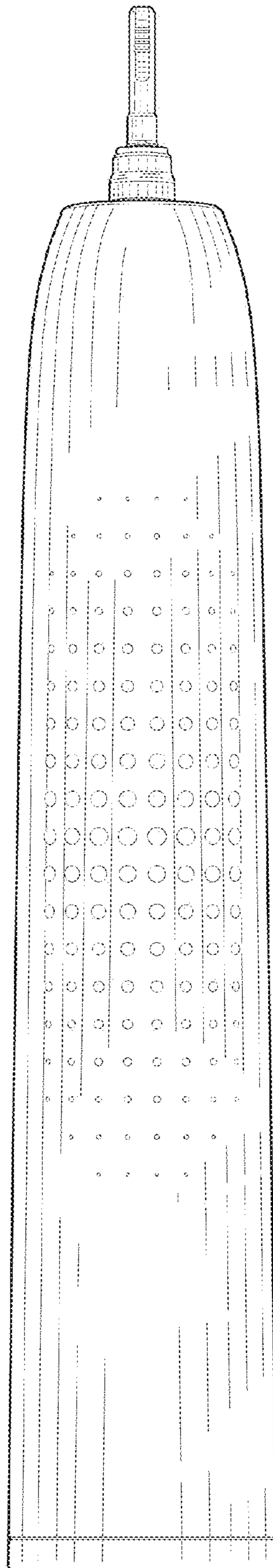


FIG. 3

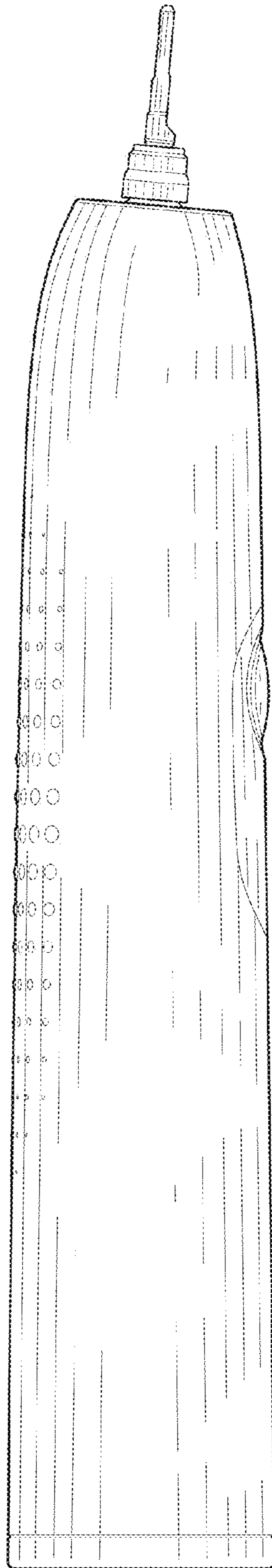


FIG. 4

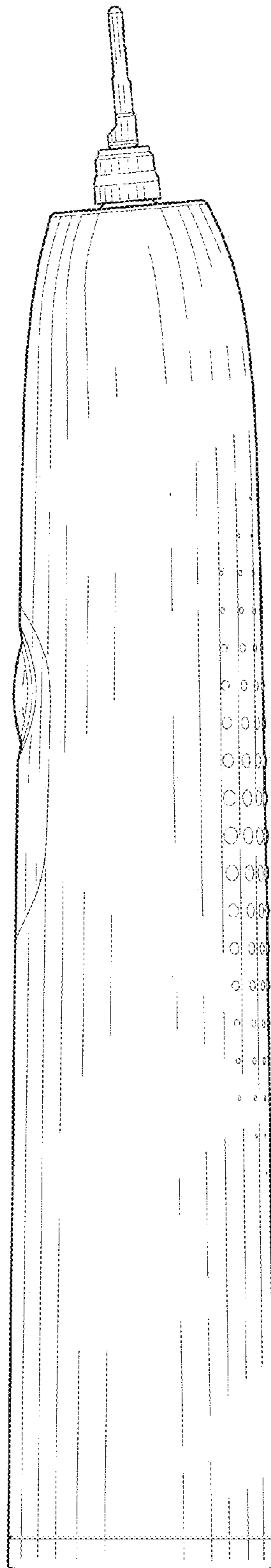


FIG. 5

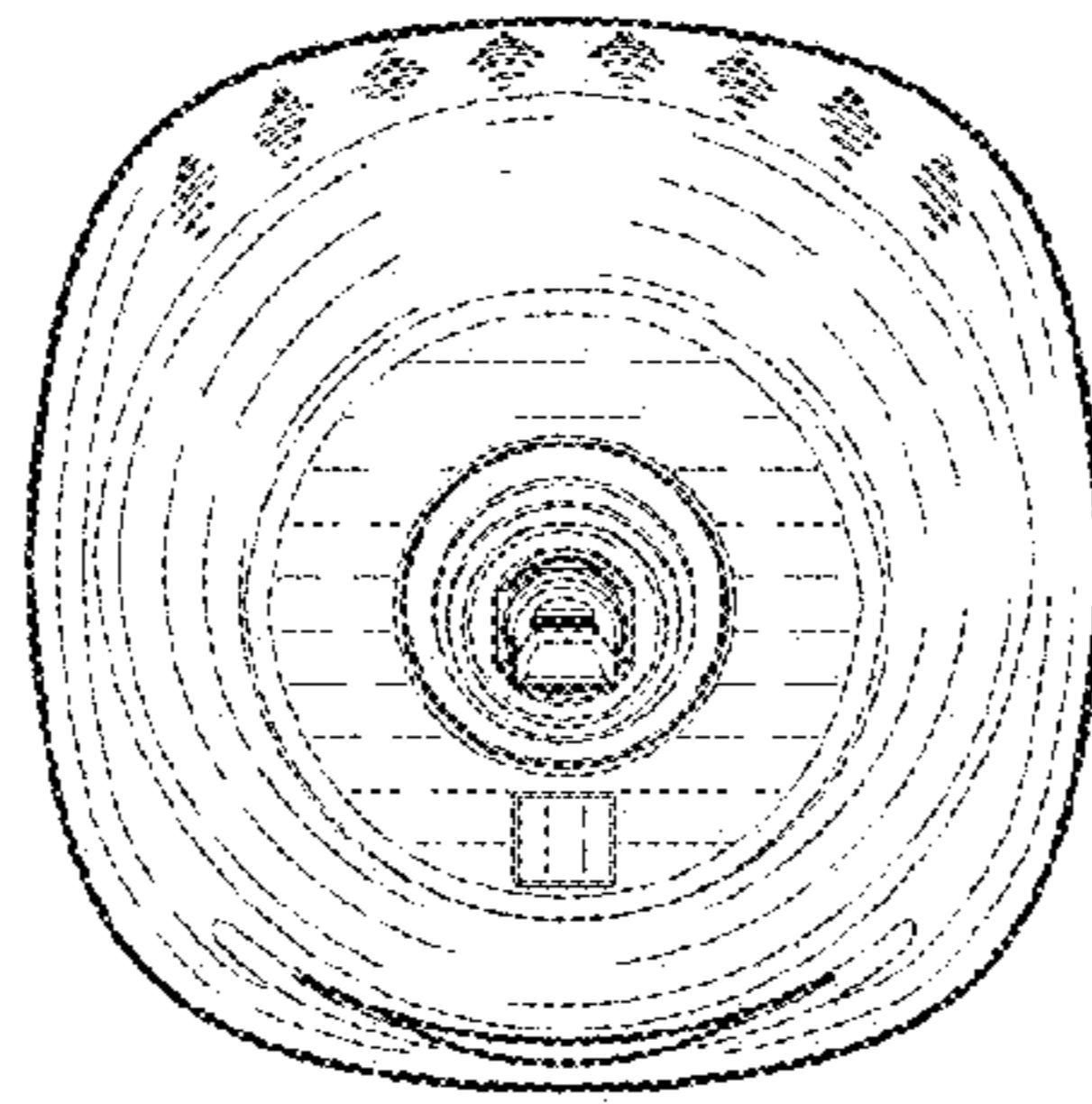


FIG. 6

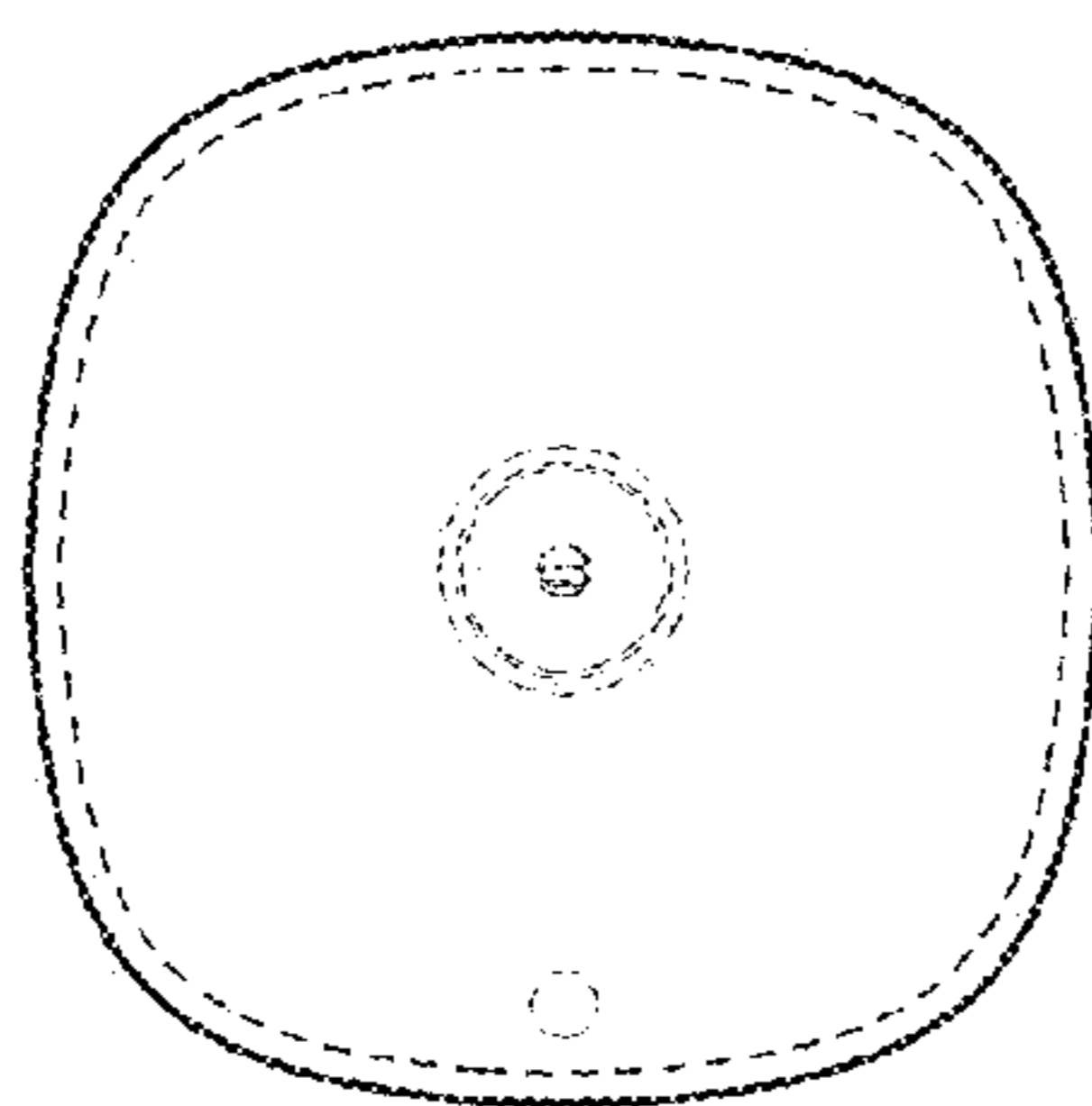


FIG. 7