



US00D759379S

(12) **United States Design Patent**  
**Wagner**

(10) **Patent No.:** **US D759,379 S**  
(45) **Date of Patent:** **\*\* Jun. 21, 2016**

- (54) **STORAGE TOTE**
- (71) Applicant: **Western Industries, Inc.**, Winfield, KS (US)
- (72) Inventor: **Charles E. Wagner**, Coweta, OK (US)
- (73) Assignee: **Western Industries, Inc.**, Winfield, KS (US)
- (\*\*) Term: **14 Years**
- (21) Appl. No.: **29/516,418**
- (22) Filed: **Feb. 2, 2015**

D354,851	S	*	1/1995	Smith	.....	D3/254
D369,025	S	*	4/1996	Miller	.....	D3/278
D566,964	S	*	4/2008	Greiner	.....	D3/278
D588,353	S	*	3/2009	Khubani	.....	D3/201
D634,930	S	*	3/2011	Lalo	.....	D3/276
D646,485	S	*	10/2011	Mason	.....	D3/284
D650,585	S	*	12/2011	Jamison	.....	D3/294
8,292,078	B2	*	10/2012	Cook	.....	B65D 21/045 206/506
D688,866	S	*	9/2013	Lalo	.....	D3/272
D725,388	S	*	3/2015	Cole	.....	D3/282
D733,429	S	*	7/2015	Grenier	.....	D3/294

\* cited by examiner

*Primary Examiner* — Holly Baynham  
(74) *Attorney, Agent, or Firm* — Boyle Fredrickson, S.C.

**Related U.S. Application Data**

- (63) Continuation of application No. 13/021,273, filed on Feb. 4, 2011, now Pat. No. 9,114,909.
- (51) **LOC (10) CL.** ..... **03-01**
- (52) **U.S. CL.**  
USPC ..... **D3/318**
- (58) **Field of Classification Search**  
USPC ..... D3/318, 294, 272–273, 289  
CPC ..... B65D 21/062; B65D 21/045  
See application file for complete search history.

(57) **CLAIM**

The ornamental design for a storage tote, as shown and described.

**DESCRIPTION**

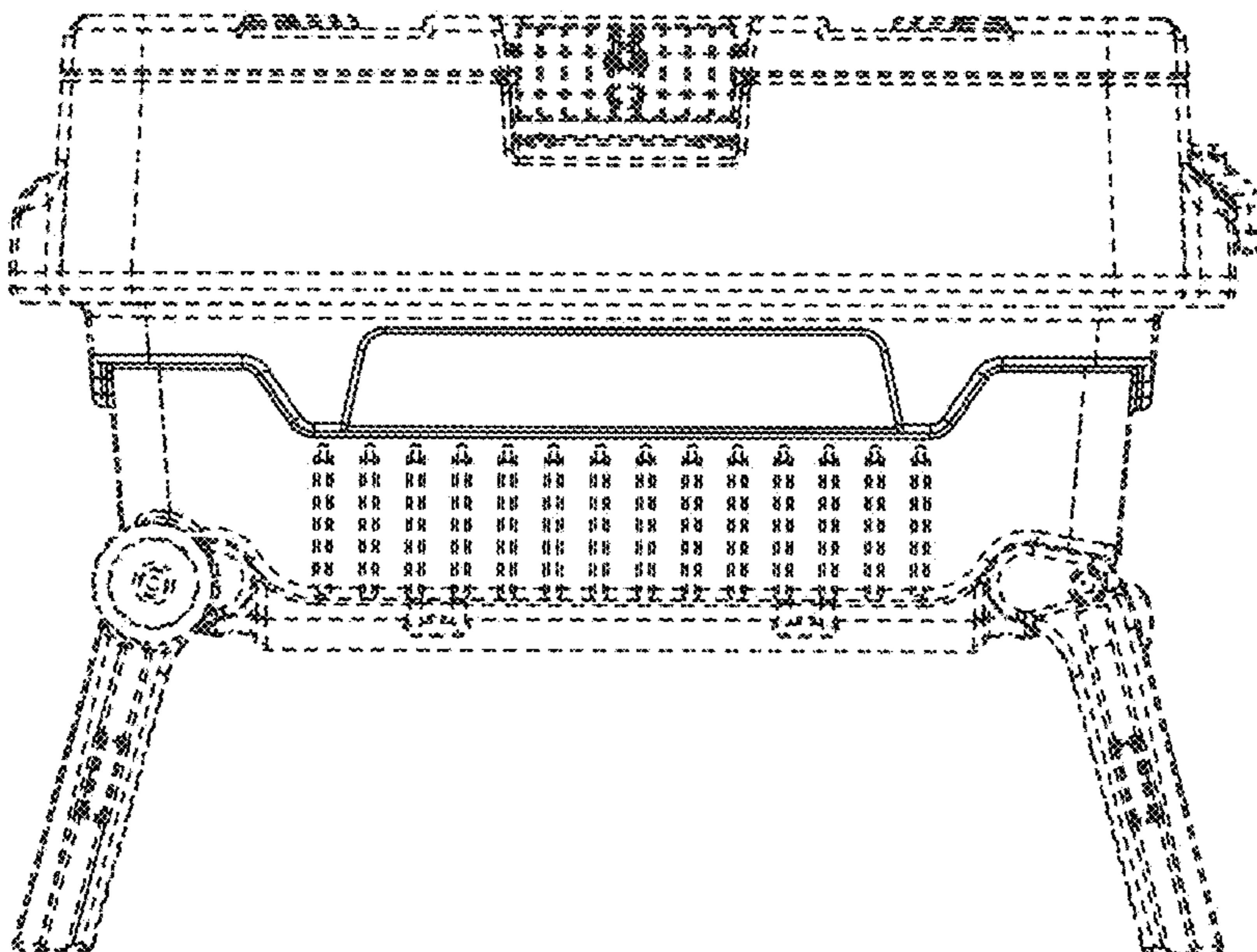
FIG. 1 is a front view of a storage tote embodying a new design;  
 FIG. 2 is a side view of the storage tote of FIG. 1;  
 FIG. 3 is a rear view of the storage tote of FIG. 1;  
 FIG. 4 is another side view of the storage tote of FIG. 1;  
 FIG. 5 is a top view of the storage tote of FIG. 1;  
 FIG. 6 is a bottom view of the storage tote of FIG. 1; and,  
 FIG. 7 is a perspective view of the storage tote of FIG. 1.  
 The broken lines showing portions of the storage tote and stand are for the purposes of illustrating environment and form no part of the claimed design.

(56) **References Cited**

**U.S. PATENT DOCUMENTS**

2,754,867	A	*	7/1956	Langer	.....	B65D 75/42 206/278
4,105,117	A	*	8/1978	Atkin	.....	B65D 21/0235 206/501

**1 Claim, 7 Drawing Sheets**



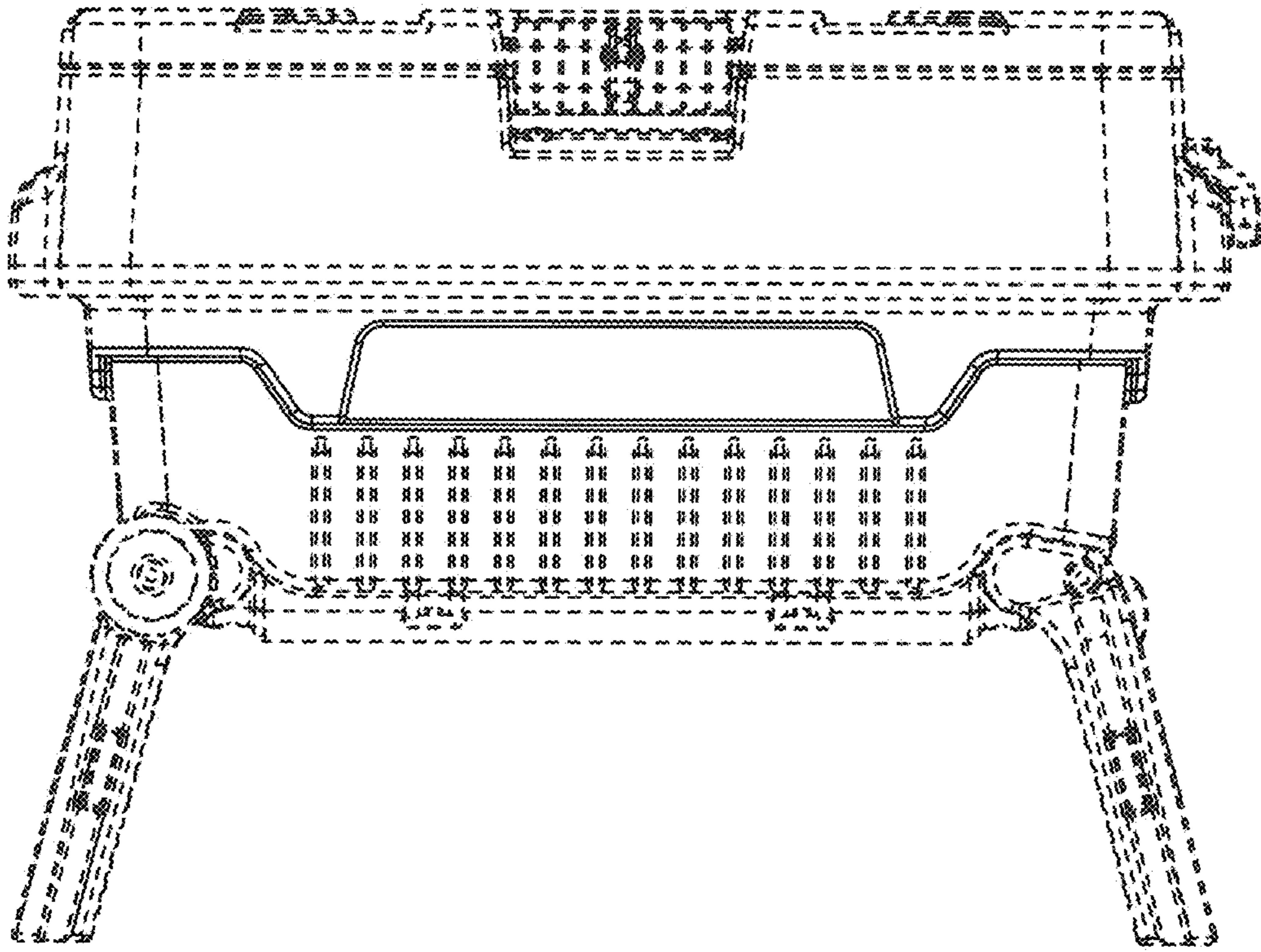


FIG. 1

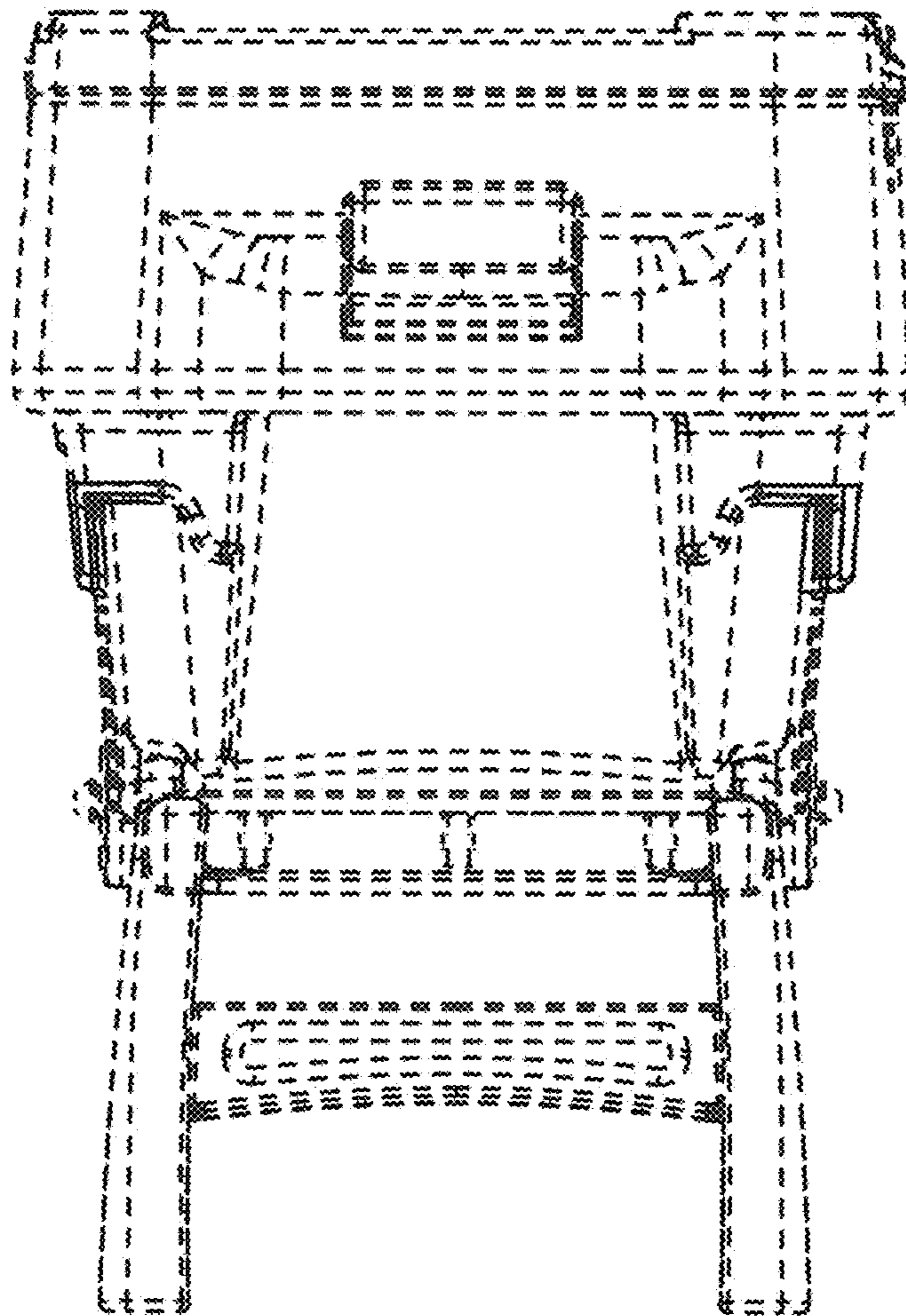


FIG. 2

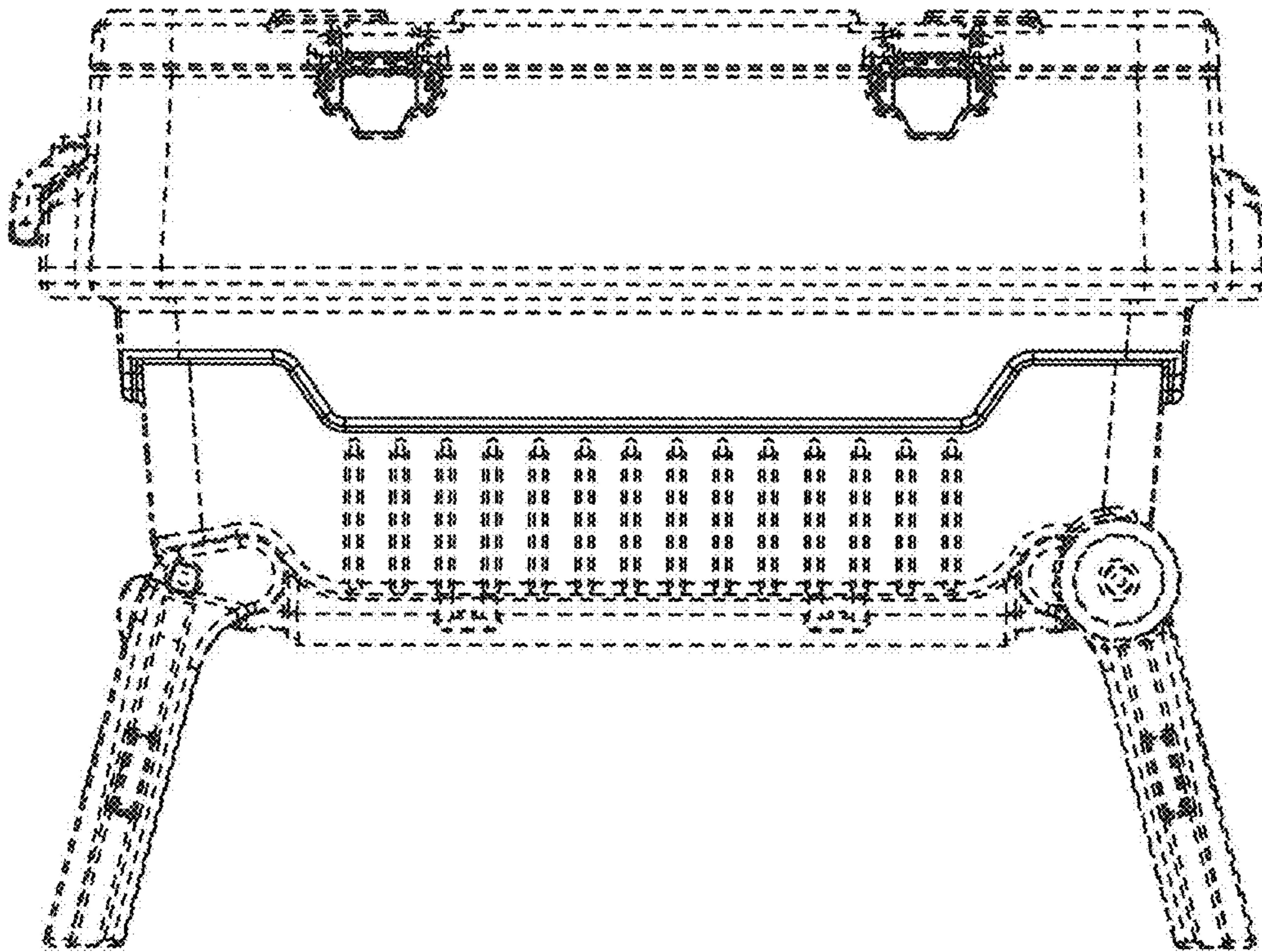


FIG. 3

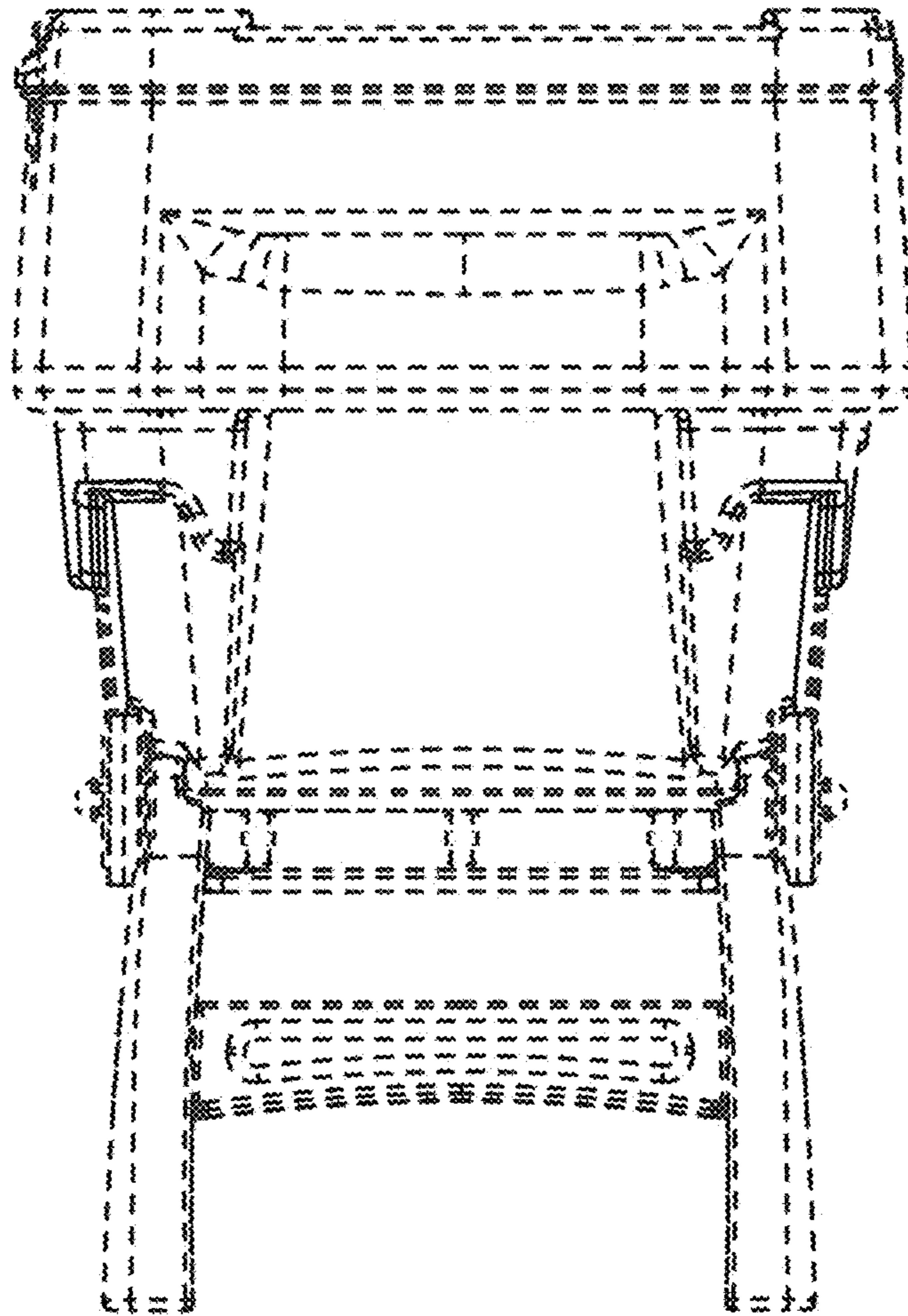


FIG. 4

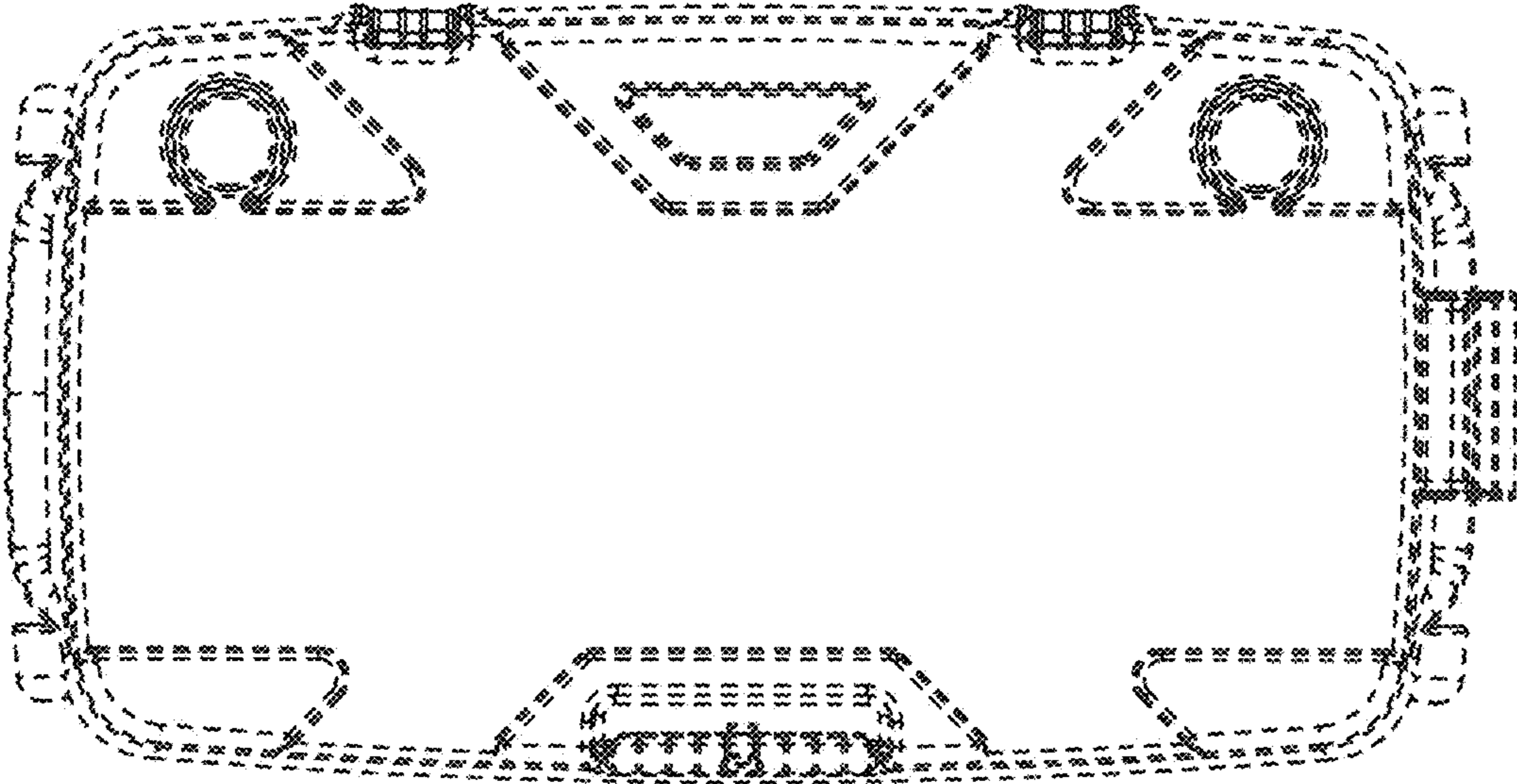


FIG. 5

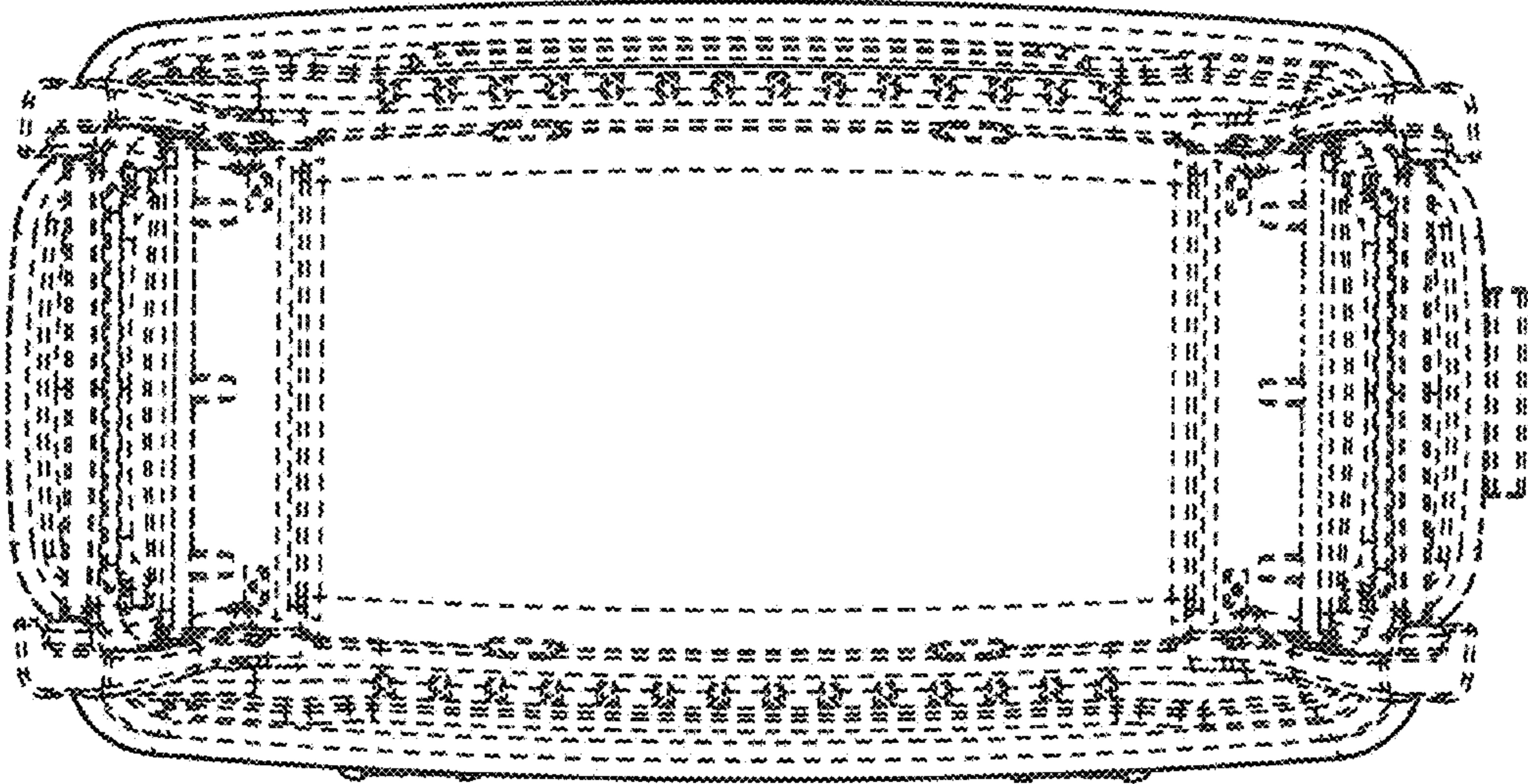


FIG. 6

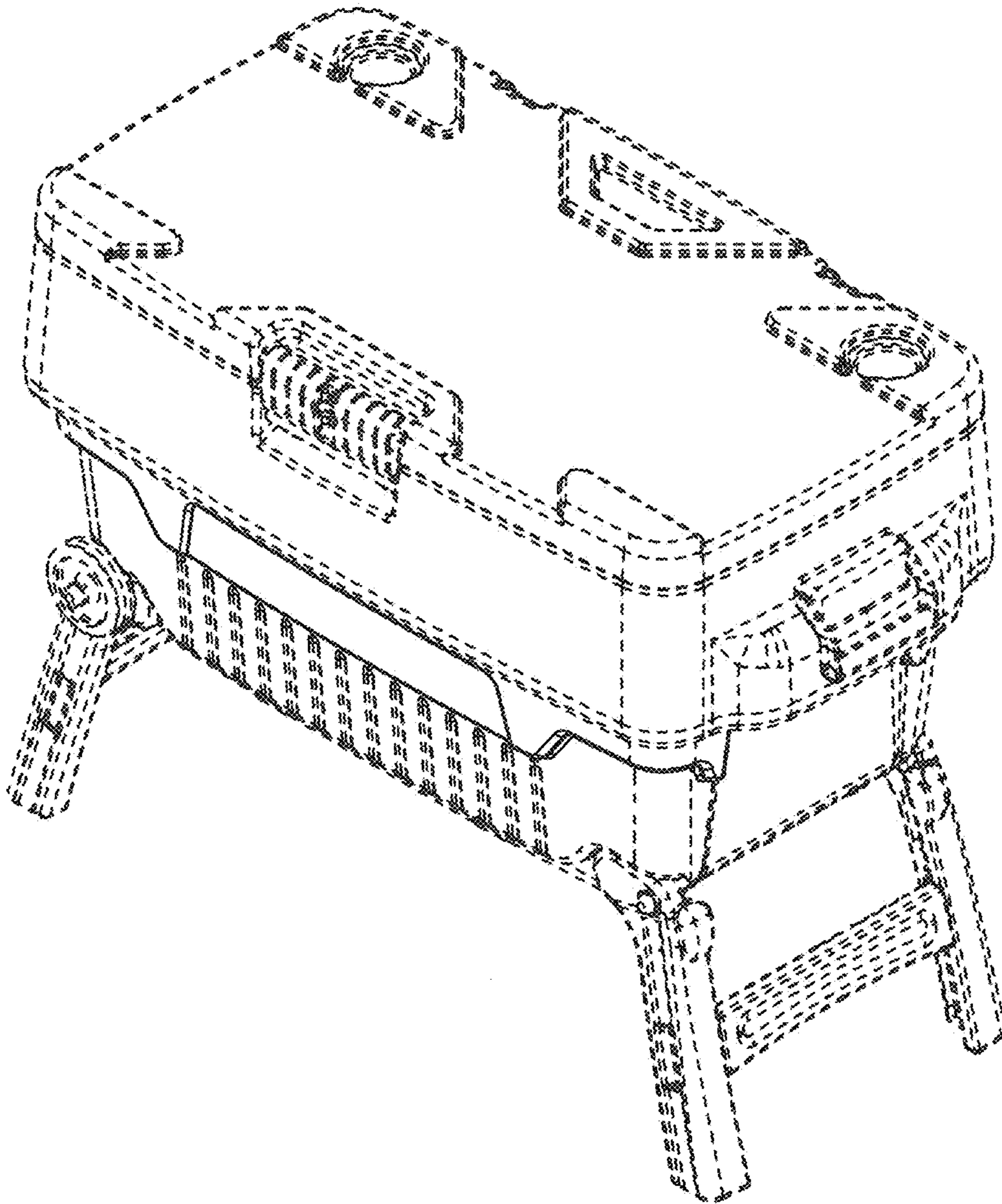


FIG. 7