



US00D759378S

(12) **United States Design Patent**
West et al.

(10) **Patent No.:** **US D759,378 S**
(45) **Date of Patent:** **** Jun. 21, 2016**

(54) **JEWELRY CASE**

(71) Applicant: **Deana West**, Mandeville, LA (US)

(72) Inventors: **Deana West**, Mandeville, LA (US);
David Rixey, Birmingham, AL (US)

(73) Assignee: **Deana West**, Mandeville, LA (US)

(**) Term: **14 Years**

(21) Appl. No.: **29/525,486**

(22) Filed: **Apr. 30, 2015**

(51) **LOC (10) Cl.** **03-01**

(52) **U.S. Cl.**
USPC **D3/294; D3/903**

(58) **Field of Classification Search**
USPC D3/273, 274, 275, 276, 281, 282, 284,
D3/292, 294, 295, 296, 302, 905, 901, 903,
D3/205, 201
CPC A45C 5/04; A45C 11/16; A45C 11/00;
A45C 15/04
See application file for complete search history.

(56) **References Cited**

U.S. PATENT DOCUMENTS

D455,263 S *	4/2002	Schoen	D3/276
D471,360 S *	3/2003	Huang	D3/282
D478,209 S *	8/2003	Chen	D3/282
D602,692 S *	10/2009	Wu	294/905
7,673,744 B1 *	3/2010	Henderson	A45C 11/16 206/473
D639,058 S *	6/2011	Chiu	D3/282
D668,455 S *	10/2012	Chang	D3/282
D723,802 S *	3/2015	Jones	D19/113
D725,388 S *	3/2015	Cole	D3/282
D731,791 S *	6/2015	Youmans	D3/282

D739,141 S *	9/2015	Gabrielyan	D3/282
2008/0023357 A1 *	1/2008	Whiteis	A45C 11/00 206/316.1
2014/0353177 A1 *	12/2014	Senate	A45C 11/16 206/6.1

OTHER PUBLICATIONS

Caracaise Product Page, "Caracaise Noir", Earliest Review Nov. 25, 2015, Accessed Apr. 11, 2016. (<http://caracaise.com/caracaise-noir/>).*

* cited by examiner

Primary Examiner — Jennifer Rivard

Assistant Examiner — April Rivas

(74) *Attorney, Agent, or Firm* — Waller Lansden Dortch & Davis LLP; Blake M. Bernard

(57) **CLAIM**

What is claimed is the ornamental design for a jewelry case, as shown and described.

DESCRIPTION

FIG. 1 is a front perspective view of the jewelry case in a closed position.

FIG. 2 is a front elevation view of the jewelry case of FIG. 1.

FIG. 3 is a rear elevation view of the jewelry case of FIG. 1.

FIG. 4 is a right side elevation view of the jewelry case of FIG. 1.

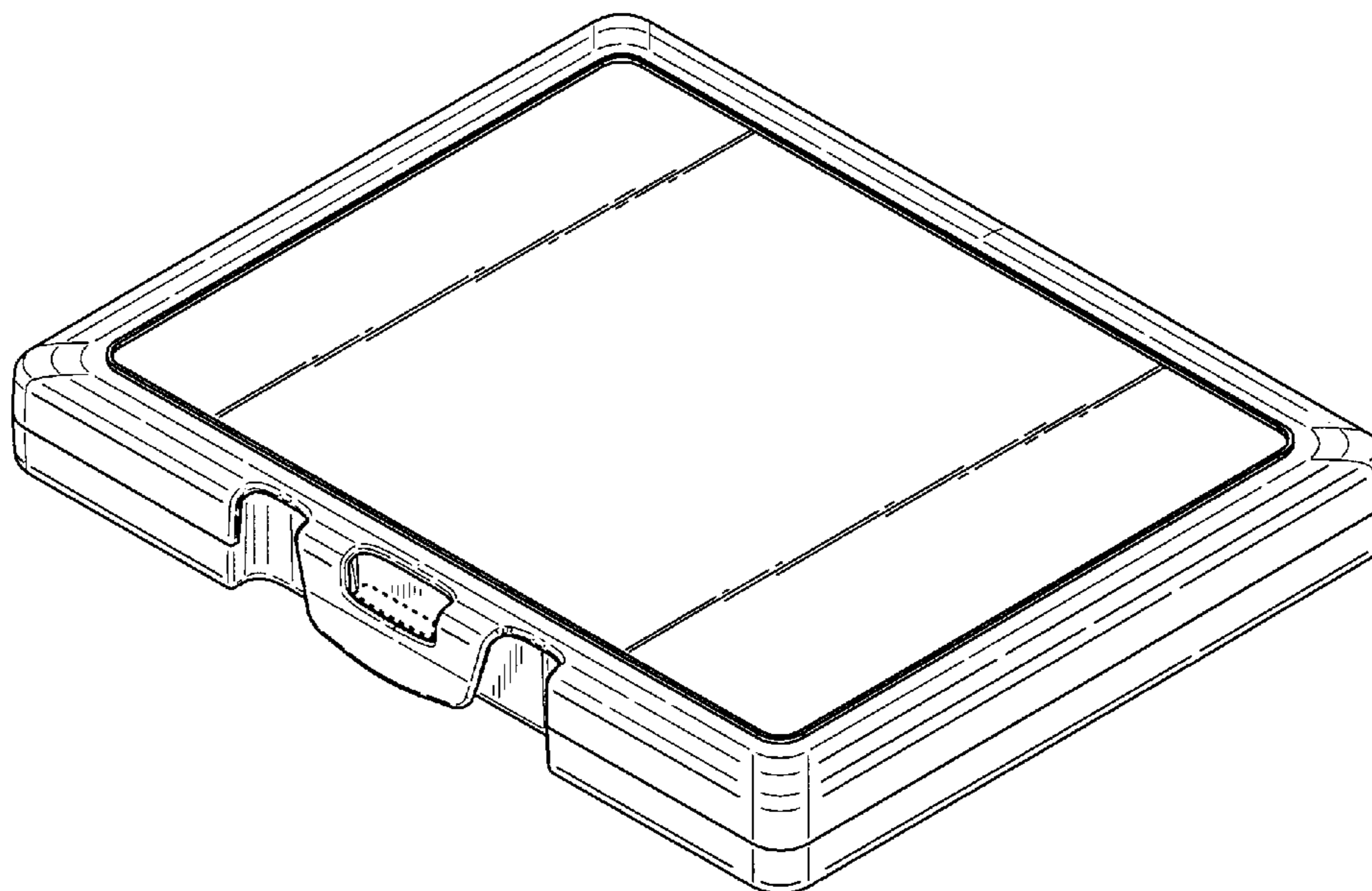
FIG. 5 is a left side elevation view of the jewelry case of FIG. 1.

FIG. 6 is a top view of the jewelry case of FIG. 1; and,

FIG. 7 is a bottom view of the jewelry case of FIG. 1.

The broken lines illustrate portions of the jewelry case. The broken lines and the areas within form no part of the claimed design.

1 Claim, 4 Drawing Sheets



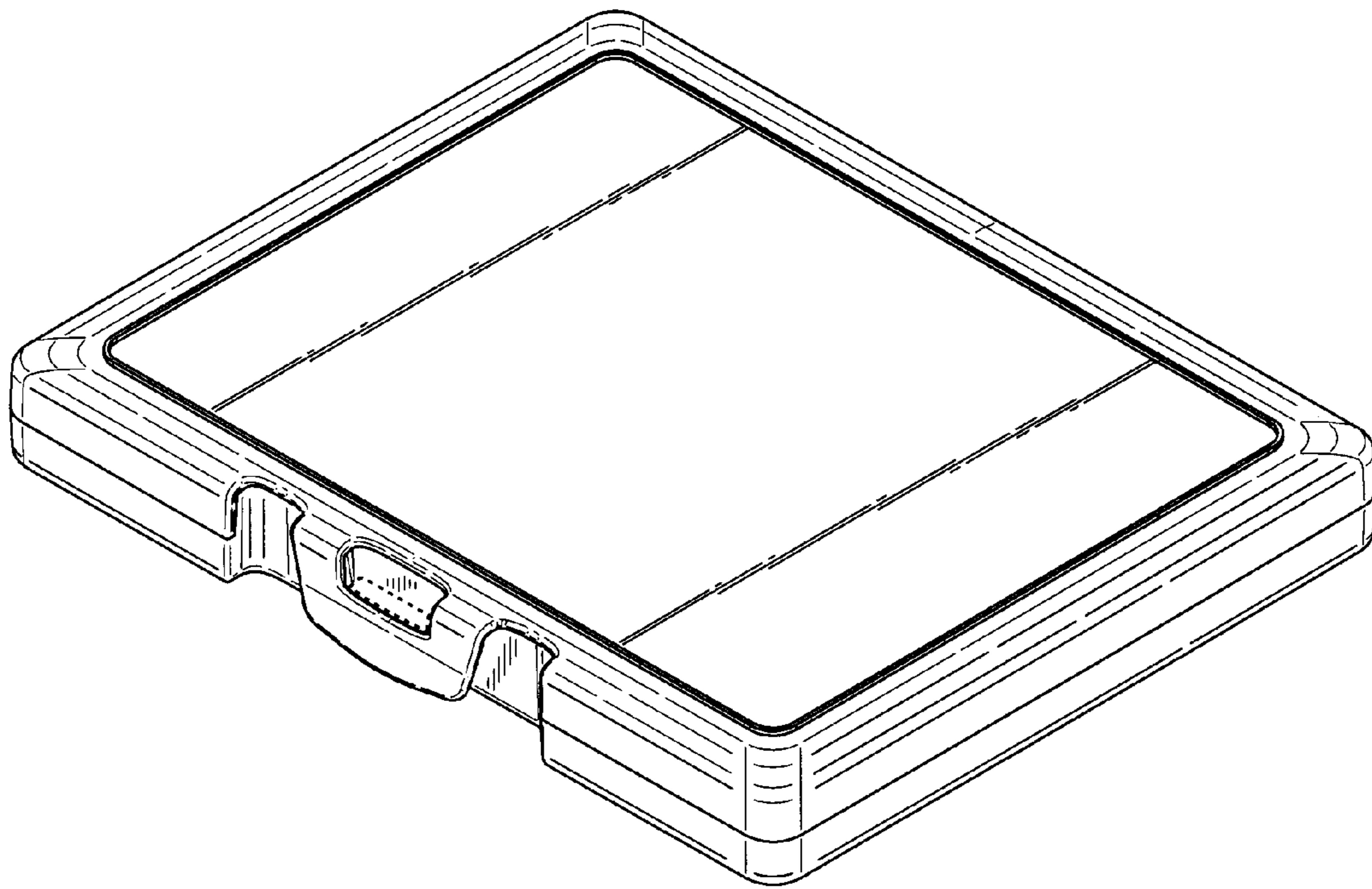


FIG. 1

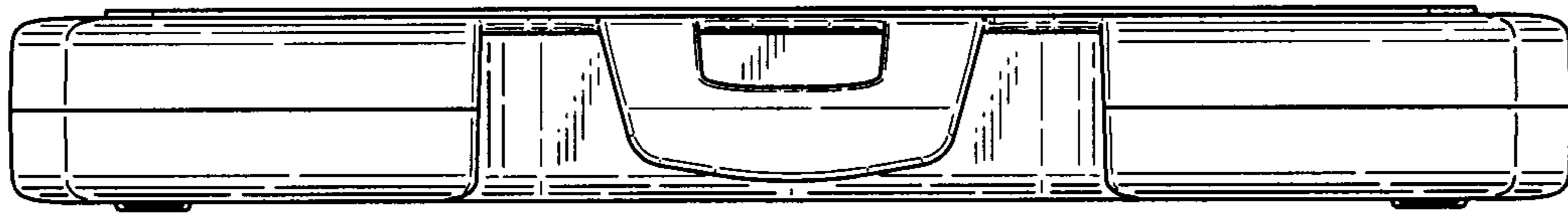


FIG. 2

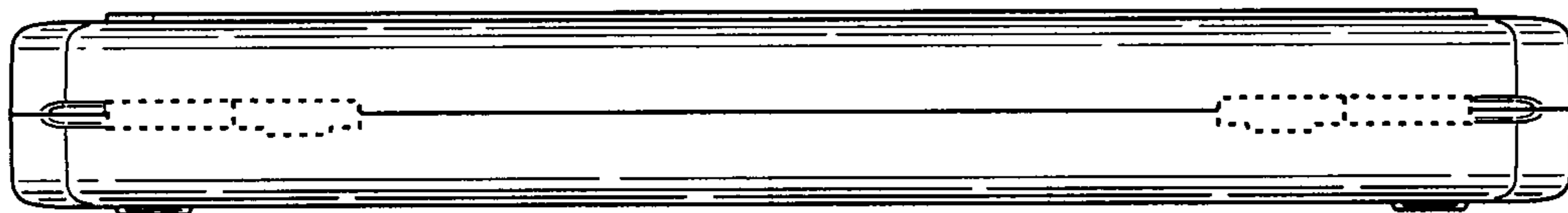


FIG. 3

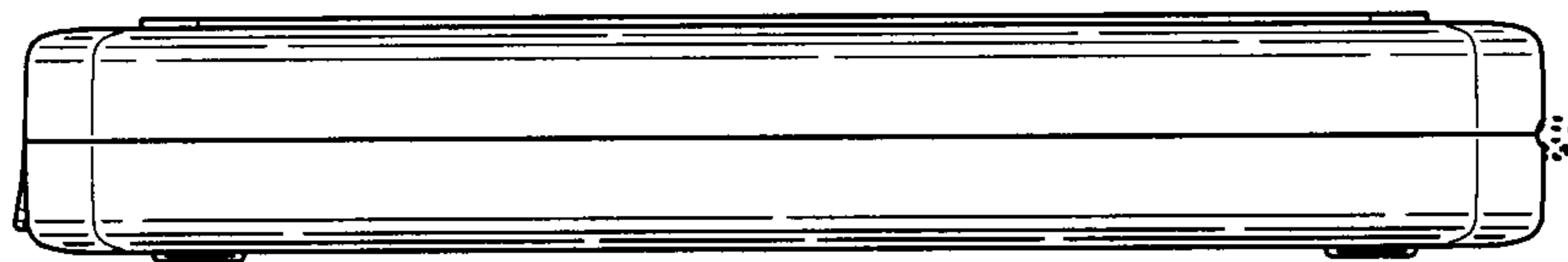


FIG. 4

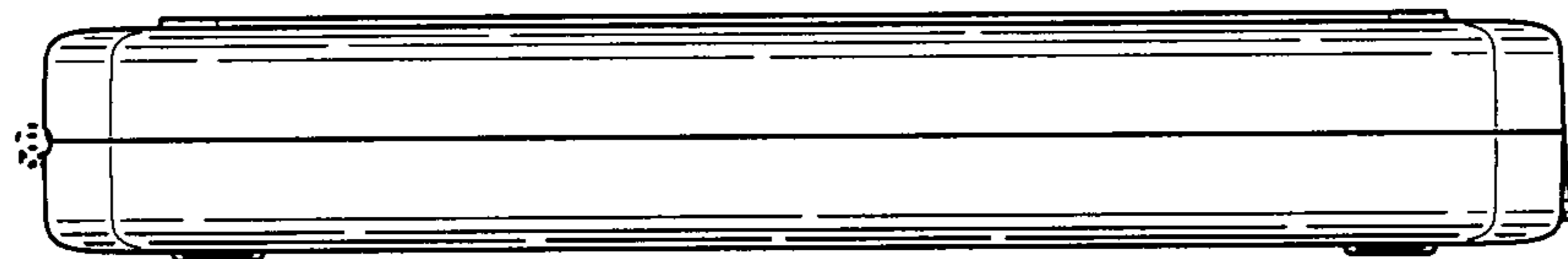


FIG. 5

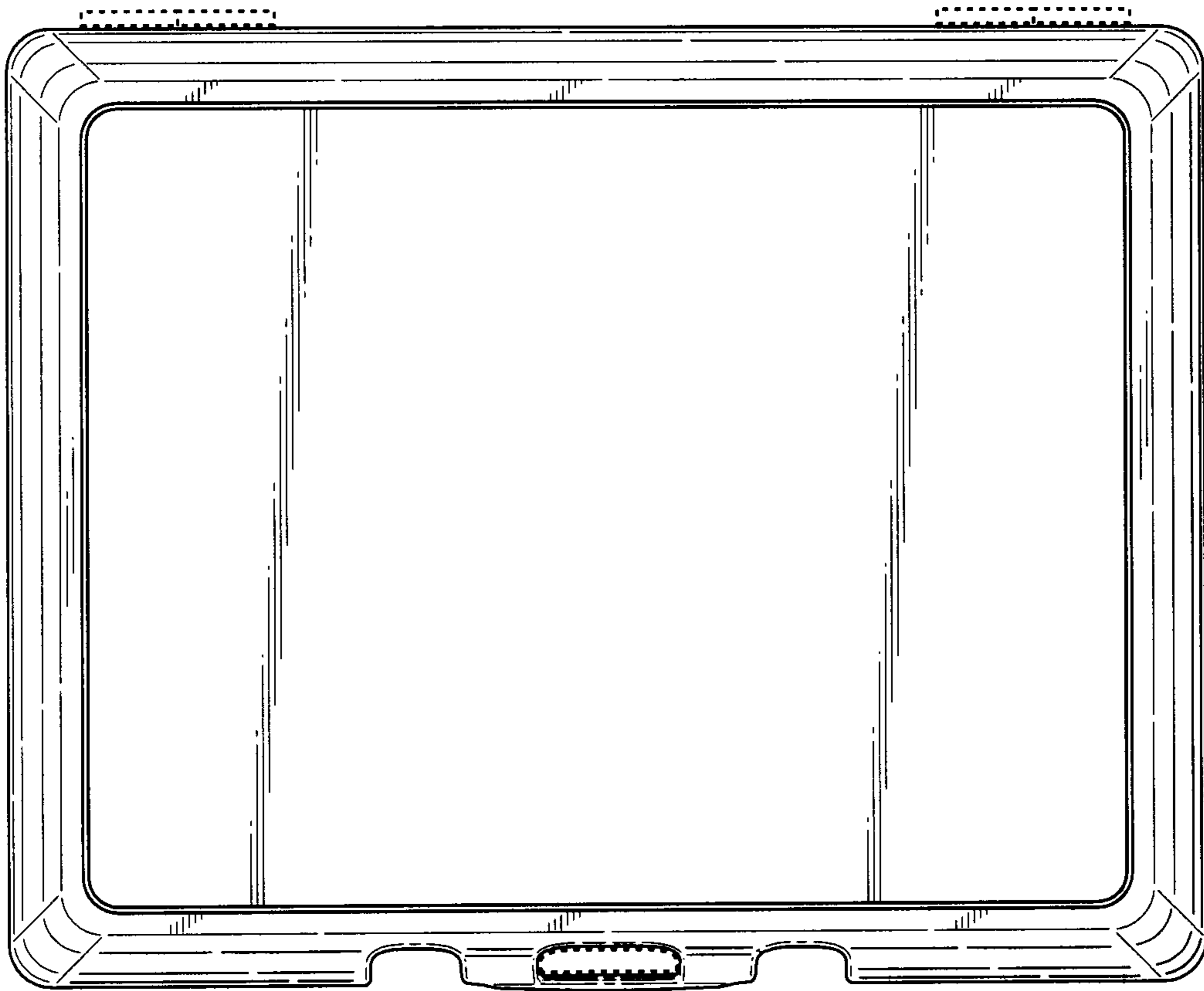


FIG. 6

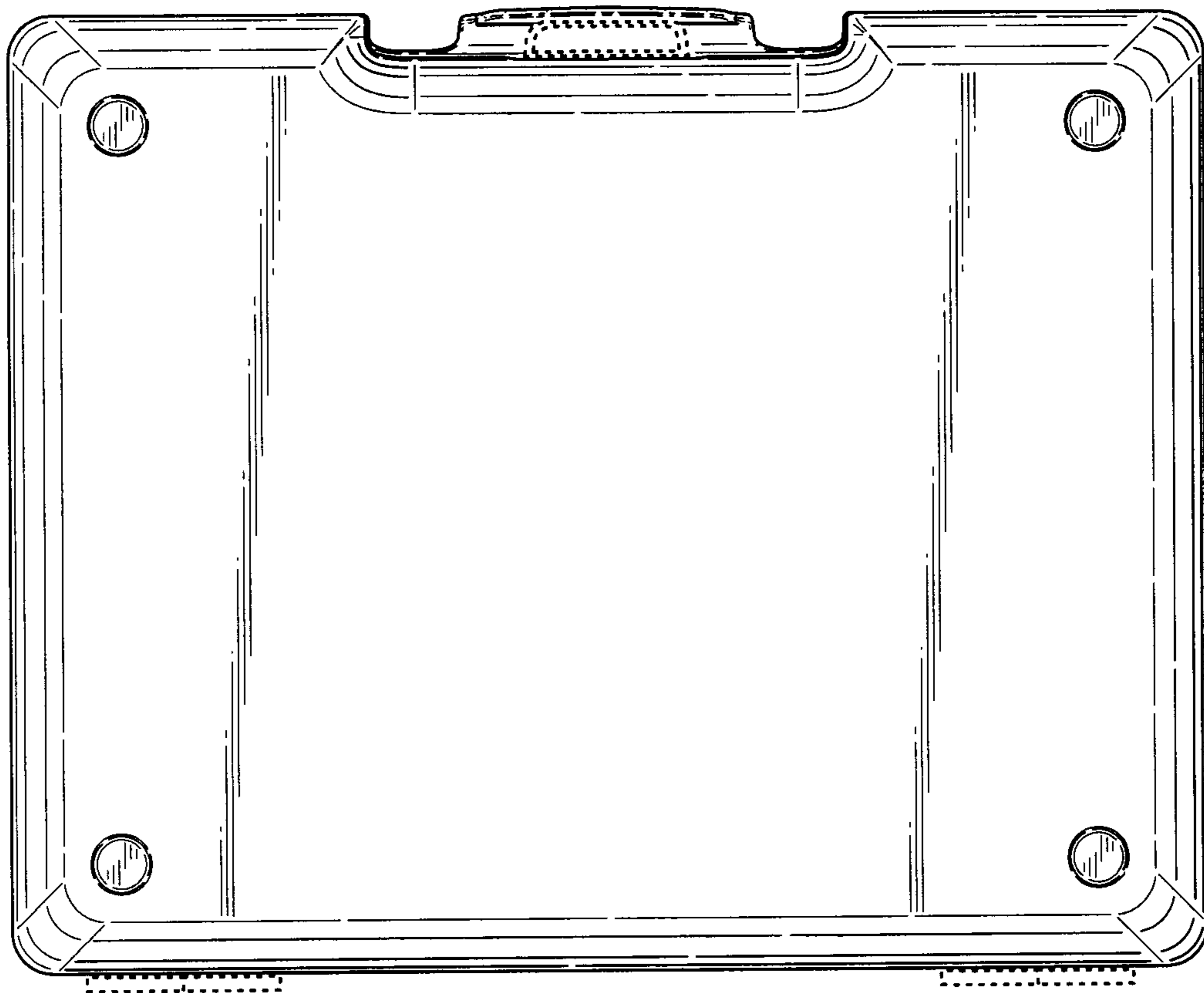


FIG. 7