



US00D759376S

(12) **United States Design Patent**
Barnett

(10) **Patent No.:** **US D759,376 S**
(45) **Date of Patent:** **** Jun. 21, 2016**

- (54) **CROSSBOW CASE**
- (71) Applicant: **Barnett Outdoors, LLC**, Tarpon Springs, FL (US)
- (72) Inventor: **David A. Barnett**, Tarpon Springs, FL (US)
- (73) Assignee: **Barnett Outdoors, LLC**, Tarpon Springs, FL (US)
- (**) Term: **14 Years**
- (21) Appl. No.: **29/513,892**
- (22) Filed: **Jan. 6, 2015**
- (51) **LOC (10) Cl.** **03-01**
- (52) **U.S. Cl.**
USPC **D3/262; D3/254**
- (58) **Field of Classification Search**
USPC **D3/254, 262, 221**
CPC **F41B 5/1457; F41B 5/12; A45C 5/00; A63B 71/0036**
See application file for complete search history.

6,935,495	B1 *	8/2005	McKenzie	A45C 13/02	206/315.11
D528,791	S *	9/2006	Sides	D3/262	
7,104,402	B2 *	9/2006	Whalen	A45C 11/00	206/315.11
D690,929	S *	10/2013	Quinnan	D3/221	
8,584,846	B2 *	11/2013	Whalen	F41B 5/12	206/315.1
8,960,426	B2 *	2/2015	Kelly	F41B 5/1457	190/107
8,978,949	B2 *	3/2015	Arajakis	F41B 5/1457	224/153

OTHER PUBLICATIONS

Design U.S. Appl. No. 29/513,855, "Crossbow Case," David A. Barnett, filed Jan. 6, 2015.
U.S. Appl. No. 62,100,832, "Crossbow Case," David A. Barnett, filed Jan. 7, 2015.

* cited by examiner

Primary Examiner — Mitchell Siegel
(74) *Attorney, Agent, or Firm* — Jones Walker LLP

(57) **CLAIM**

I claim the ornamental design for a crossbow case, as shown and described.

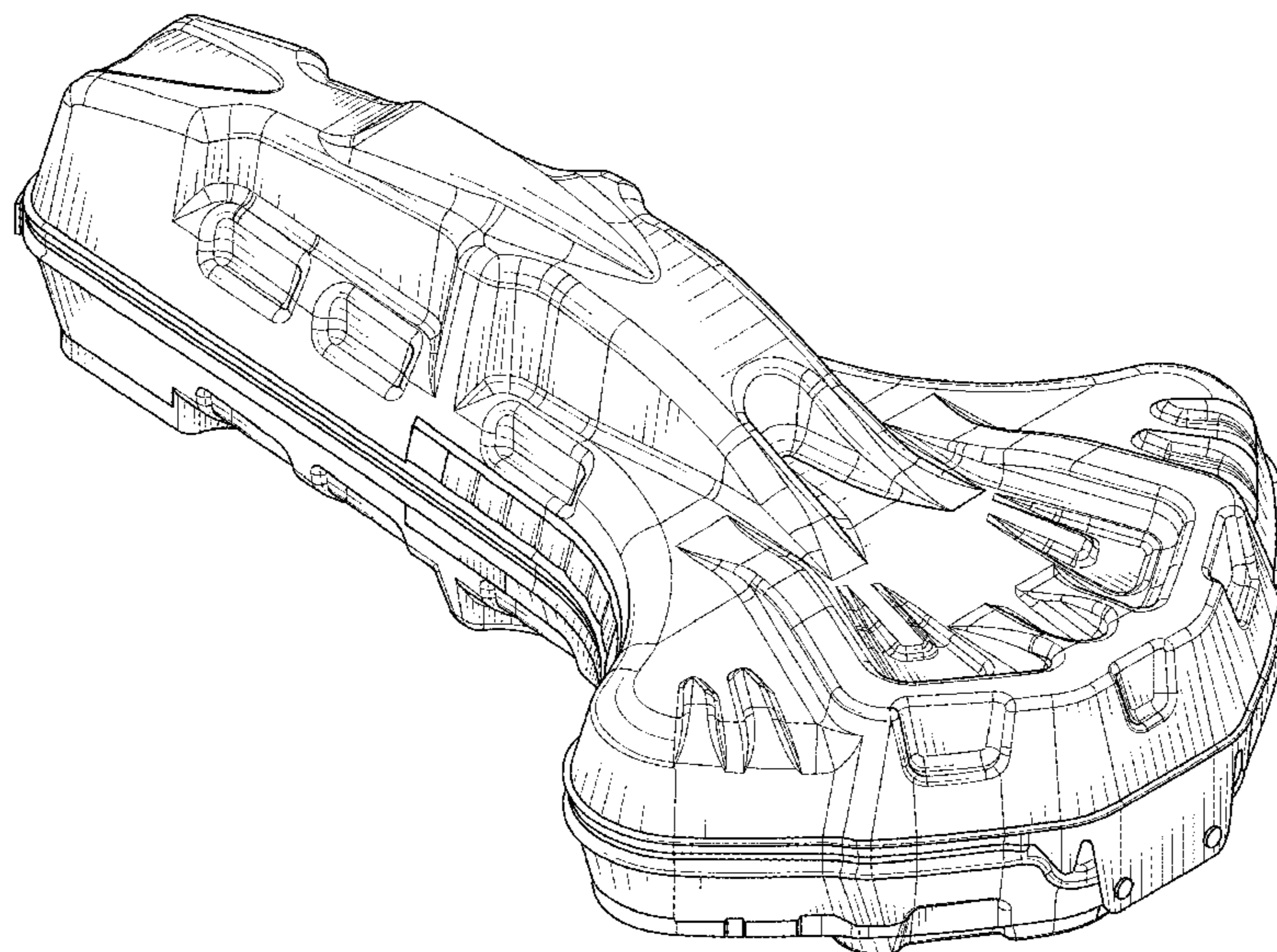
DESCRIPTION

FIG. 1 is a top view of my new design;
FIG. 2 is a bottom view thereof;
FIG. 3 is a right side view thereof;
FIG. 4 is a left side view thereof;
FIG. 5 is a front view thereof;
FIG. 6 is a rear view thereof;
FIG. 7 is a top, left side perspective view thereof;
FIG. 8 is a top, right side perspective view thereof;
FIG. 9 is a bottom, left side perspective view thereof; and,
FIG. 10 is a bottom, right side perspective view thereof.

1 Claim, 10 Drawing Sheets

(56) **References Cited**
U.S. PATENT DOCUMENTS

D182,868	S *	5/1958	Arnold	D3/269	
D246,138	S *	10/1977	Christensen	D3/254	
4,480,774	A *	11/1984	Smith	A45F 3/02	124/25
D343,057	S *	1/1994	Dickinson	D3/262	
D358,254	S *	5/1995	VanSkiver	D3/254	
D456,133	S *	4/2002	Fiore, Jr.	D3/254	
6,390,294	B1 *	5/2002	Fiore, Jr.	F41B 5/1457	124/86
D475,196	S *	6/2003	VanSkiver	D3/262	
D488,927	S *	4/2004	Cook	D3/254	
D506,062	S *	6/2005	Whalen	D3/262	



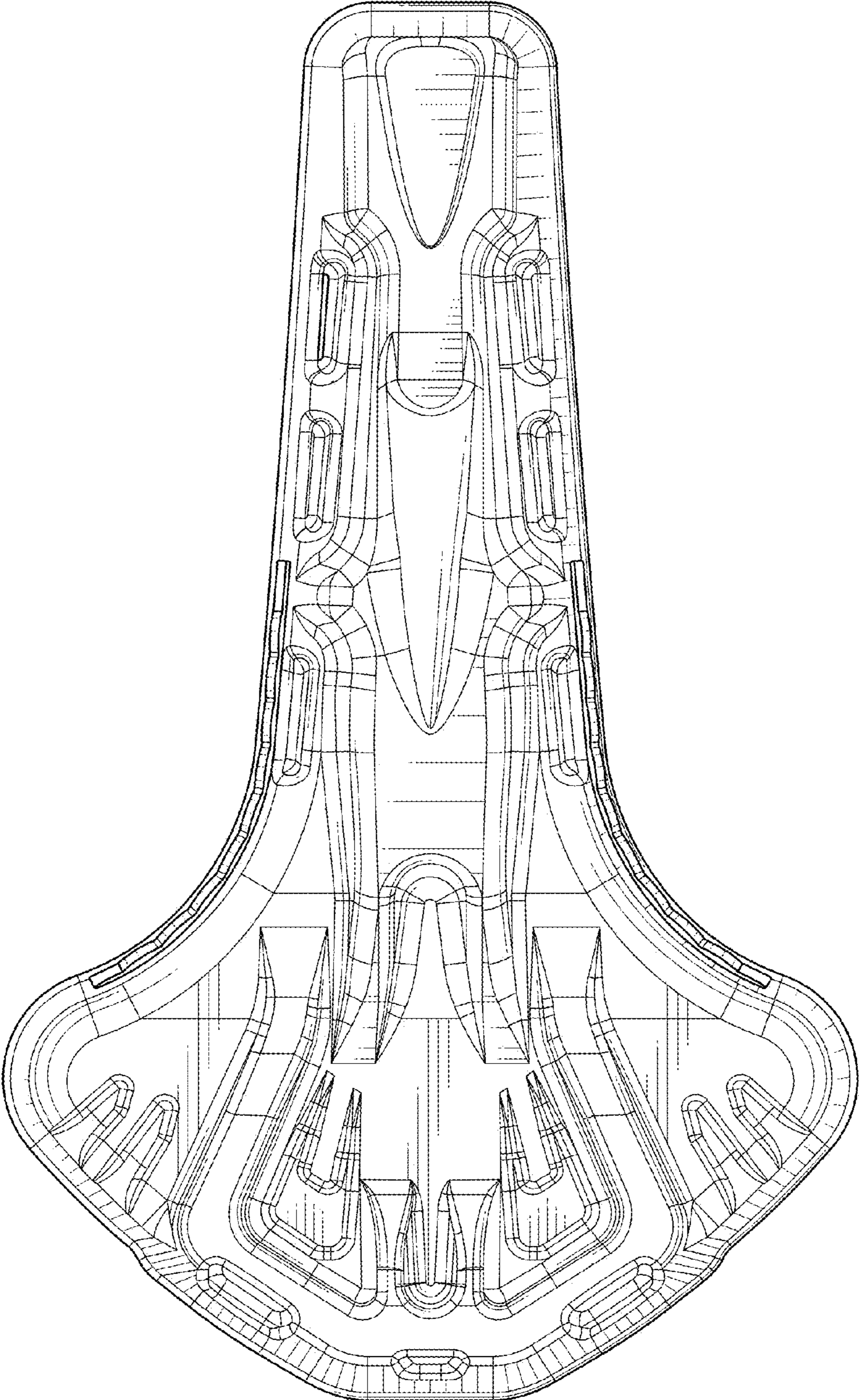


FIG. 1

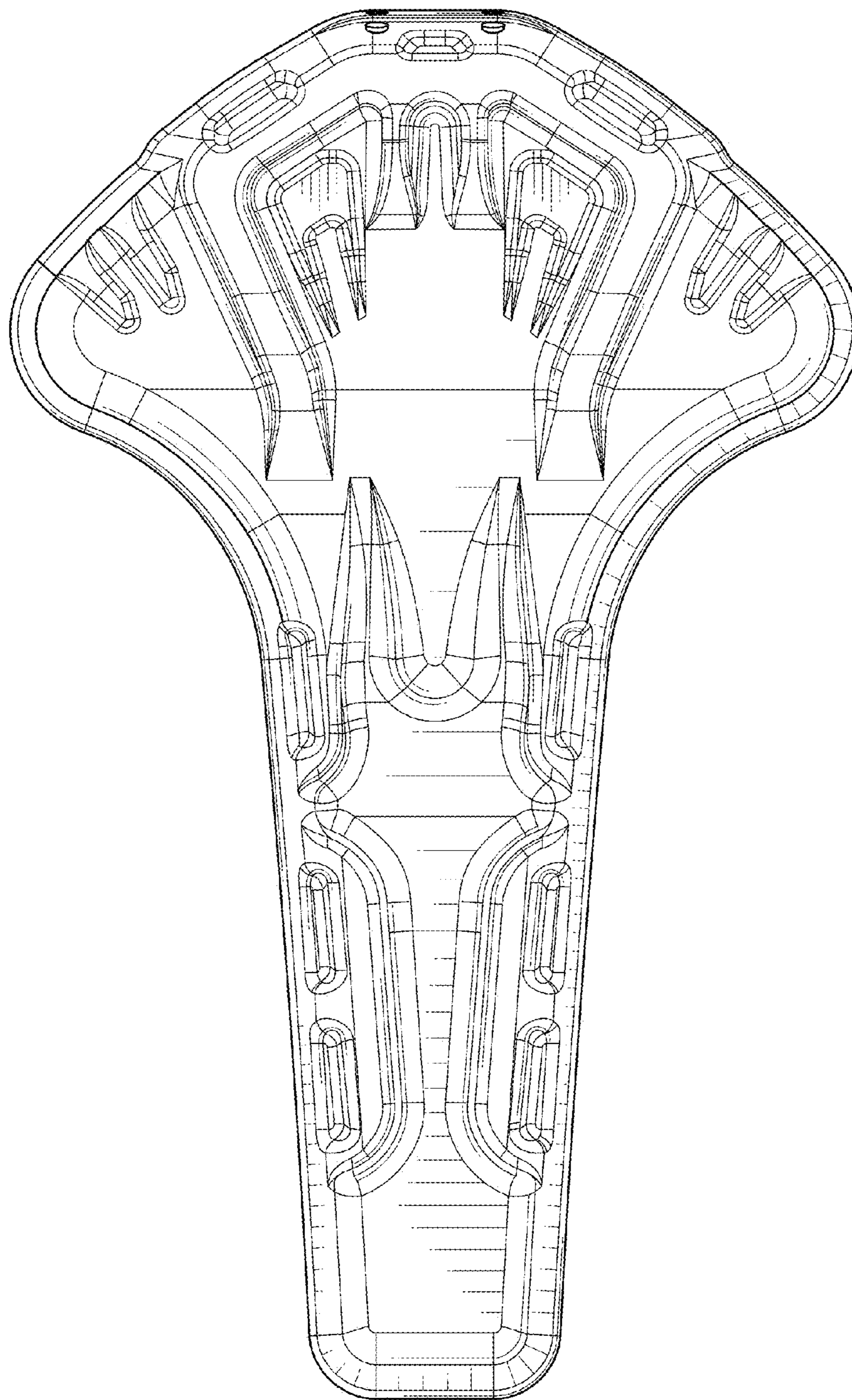


FIG. 2

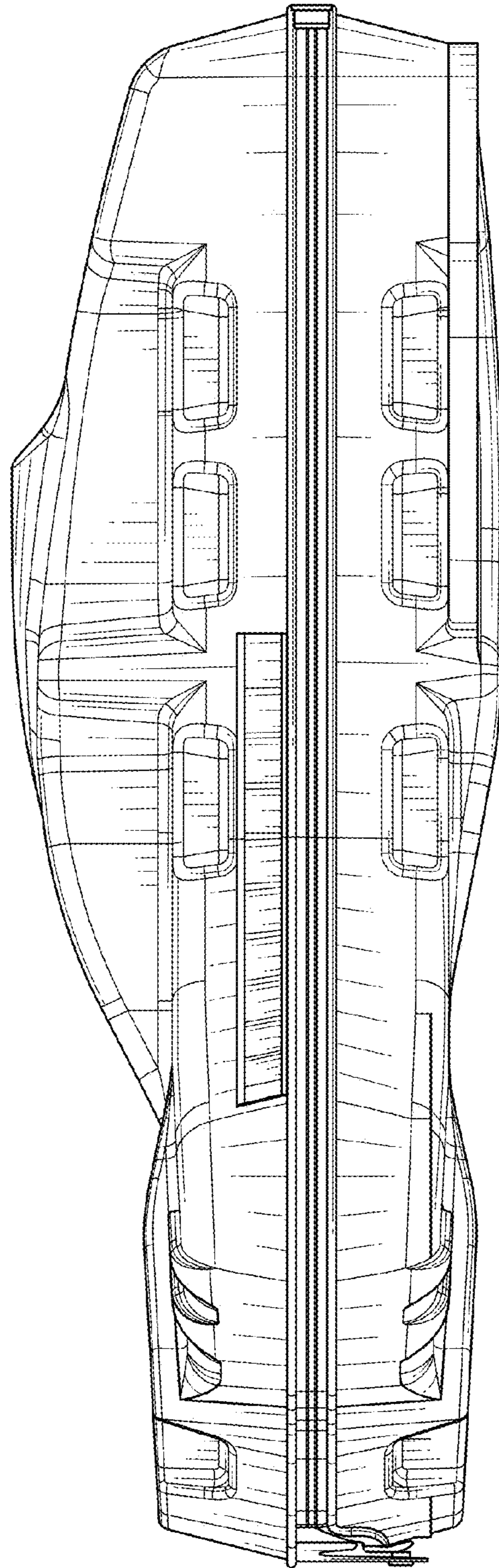


FIG. 3

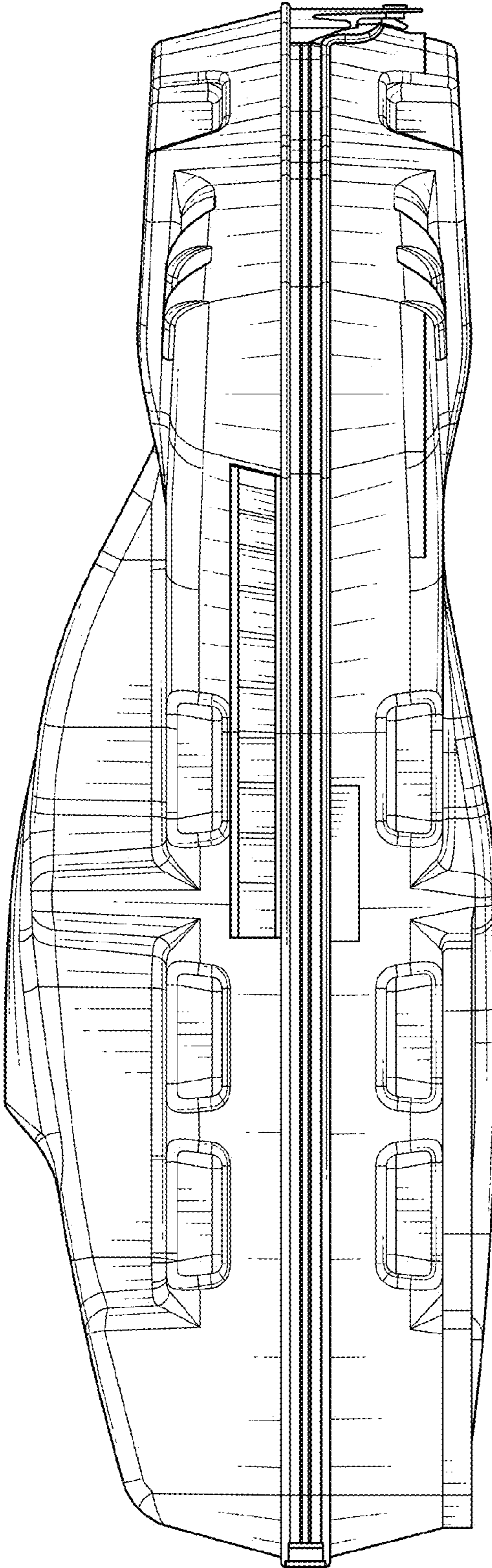


FIG. 4

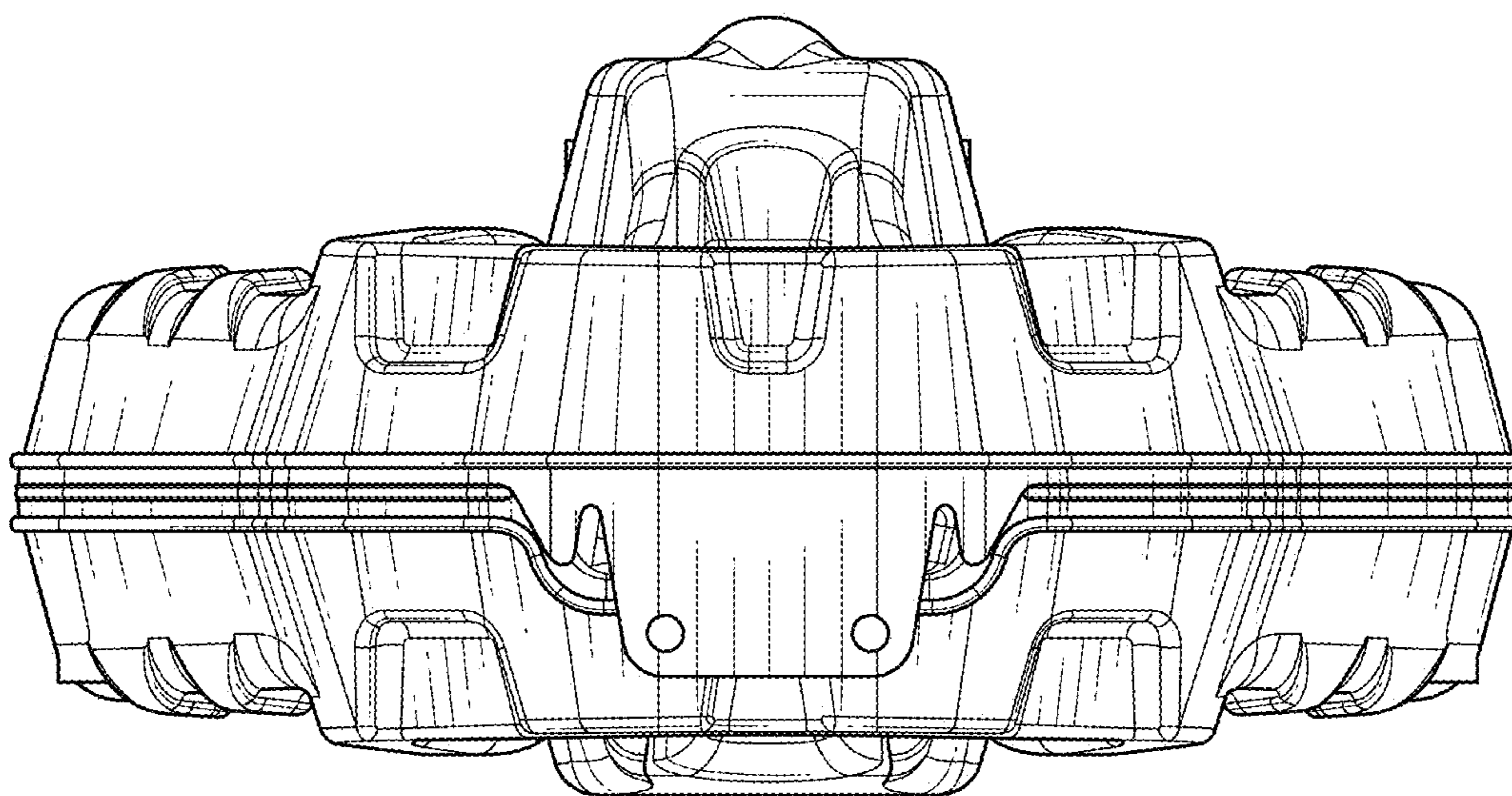


FIG. 5

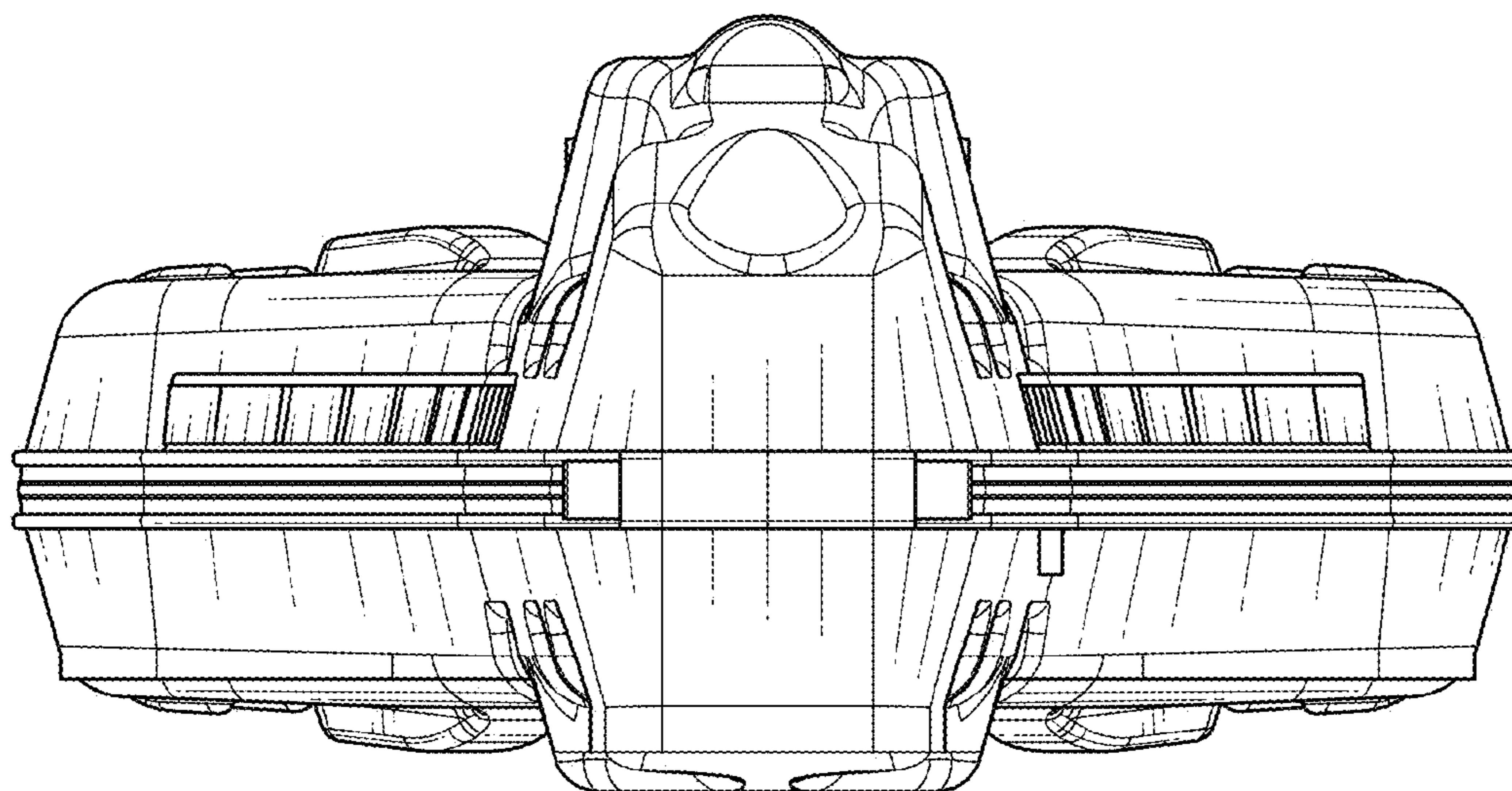


FIG. 6

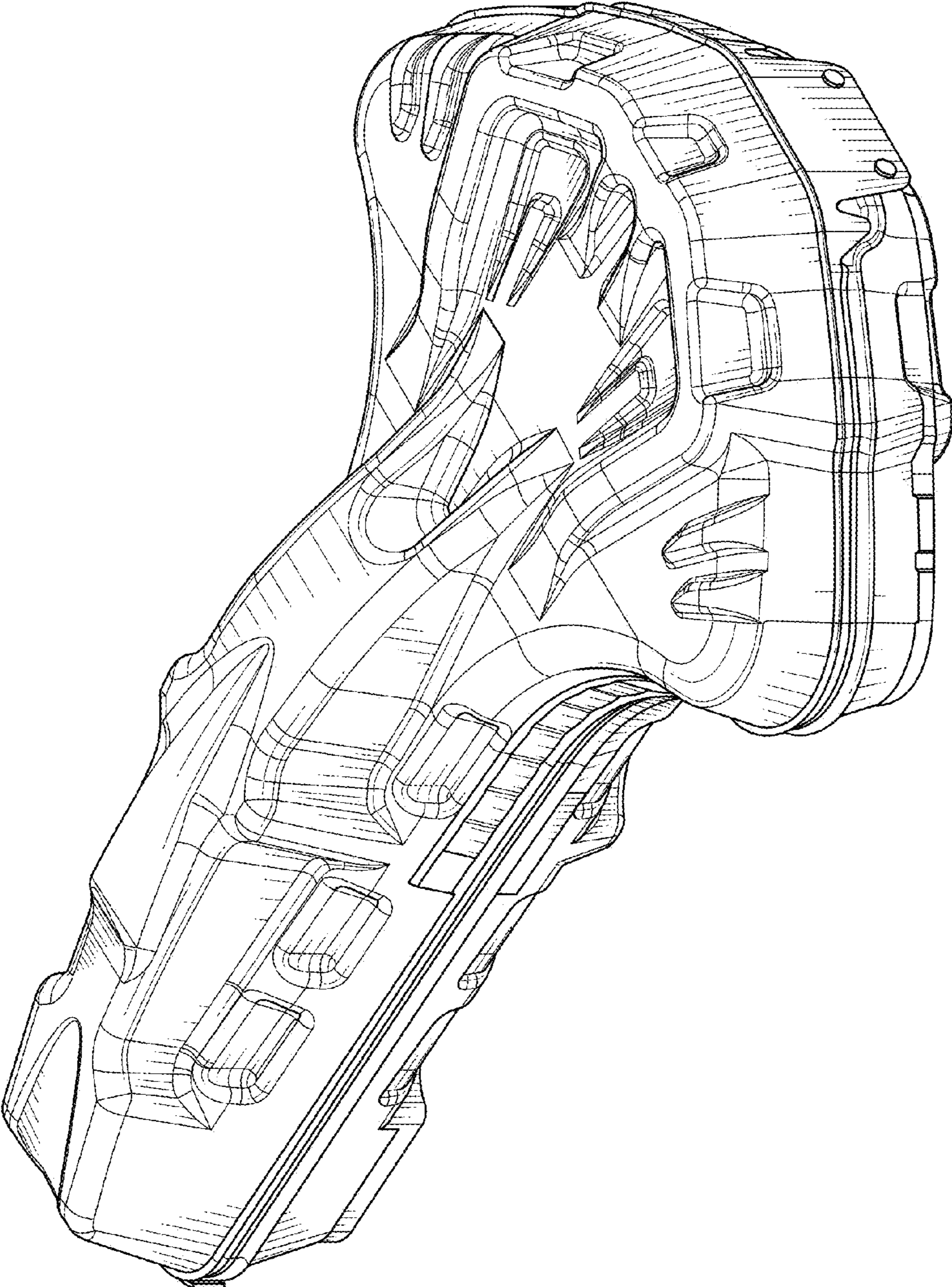


FIG. 7

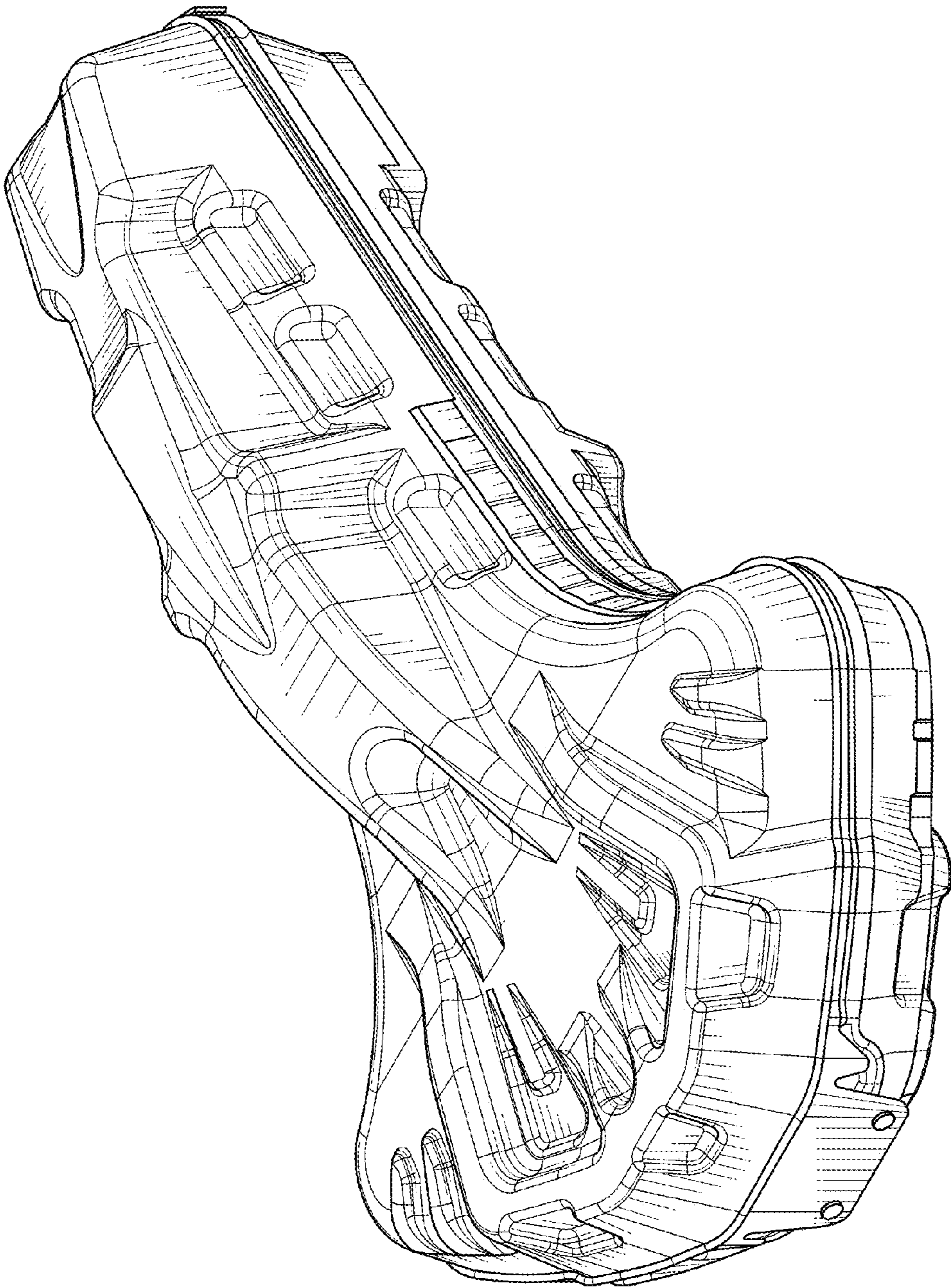


FIG. 8

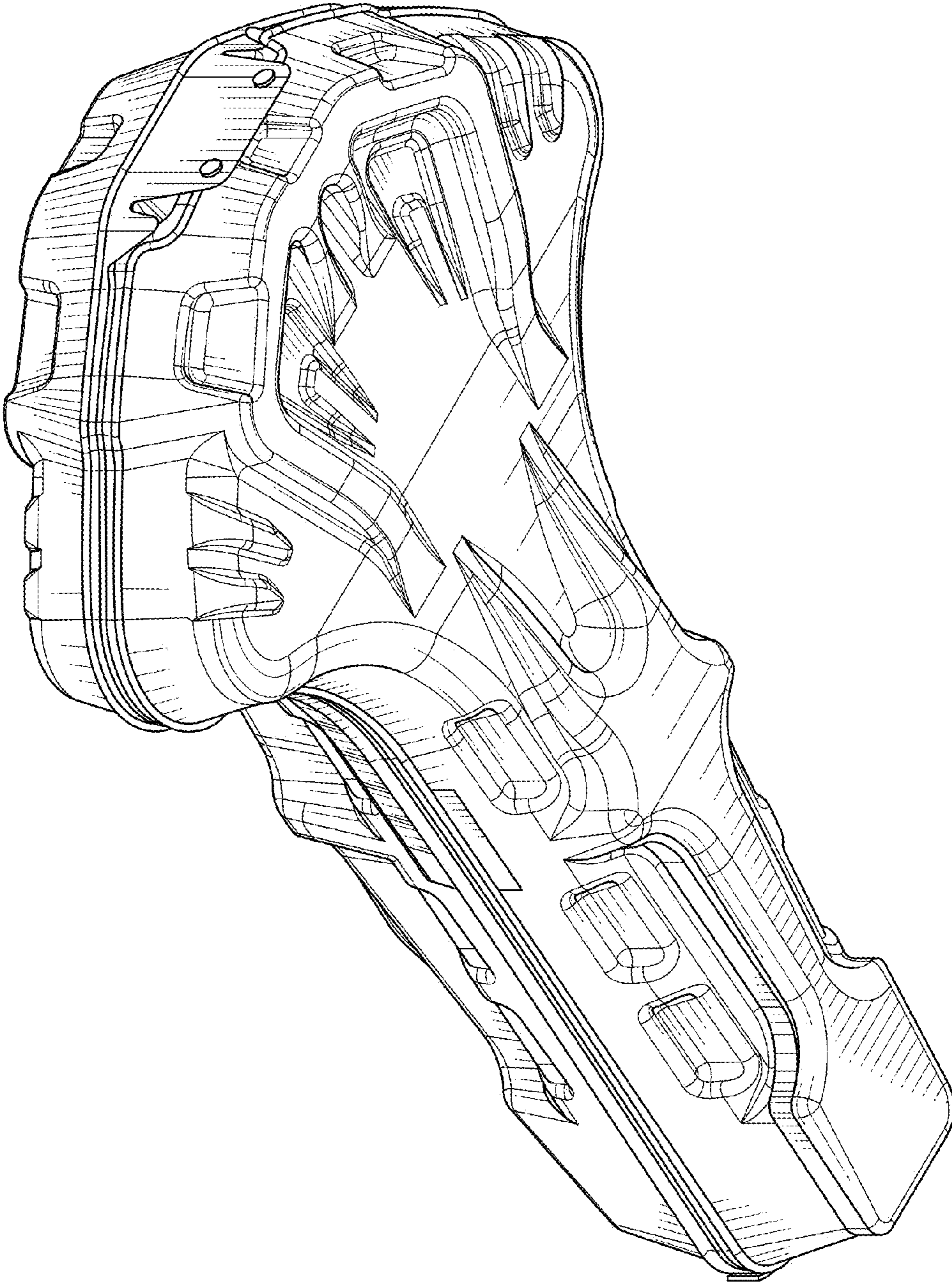


FIG. 9

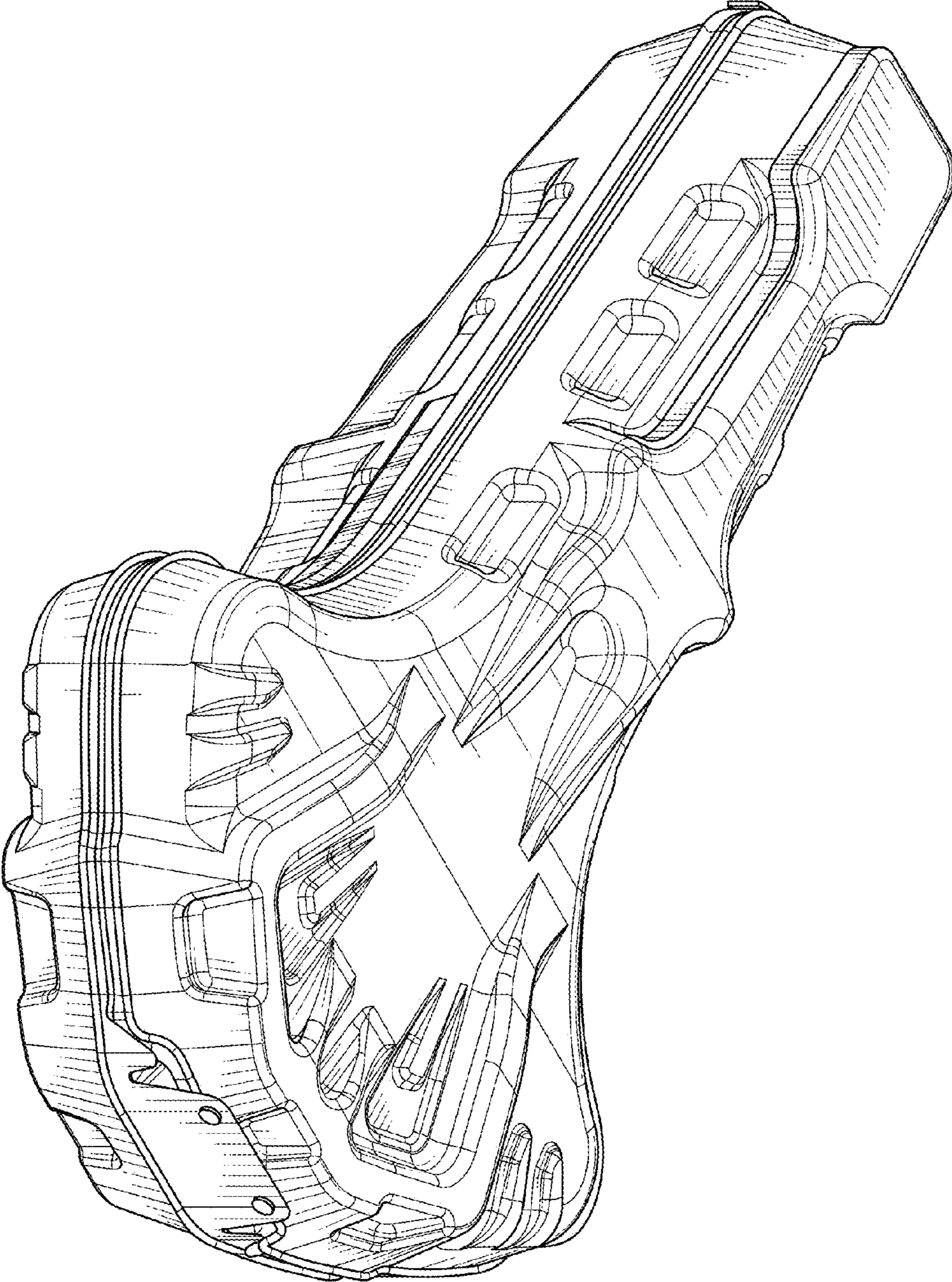


FIG. 10