

US00D759375S

(12) **United States Design Patent**  
**Dolfi**

(10) **Patent No.:** **US D759,375 S**  
(45) **Date of Patent:** **\*\* Jun. 21, 2016**

- (54) **WEDGE GUN CASE**
- (71) Applicant: **Dennis Dolfi**, Erie, CO (US)
- (72) Inventor: **Dennis Dolfi**, Erie, CO (US)
- (73) Assignee: **The Allen Company, Inc.**, Broomfield, CO (US)
- (\*\*) Term: **14 Years**
- (21) Appl. No.: **29/509,236**
- (22) Filed: **Nov. 14, 2014**
- (51) **LOC (10) Cl.** ..... **03-01**
- (52) **U.S. Cl.**  
USPC ..... **D3/262**
- (58) **Field of Classification Search**  
USPC ..... D3/262, 254, 282  
CPC ..... B60R 7/14; B60R 9/055; F41C 33/007  
See application file for complete search history.

- D448,163 S \* 9/2001 Kolpin ..... D3/262
- D448,558 S \* 10/2001 Kolpin ..... D3/262
- D448,559 S \* 10/2001 Kolpin ..... D3/262
- D448,560 S \* 10/2001 Kolpin ..... D3/262
- D448,561 S \* 10/2001 Kolpin ..... D3/262
- D448,562 S \* 10/2001 Kolpin ..... D3/262
- 6,634,530 B1 \* 10/2003 Black ..... B60R 7/14  
206/317
- D486,637 S \* 2/2004 Sauey ..... D3/262
- D486,960 S \* 2/2004 Sauey ..... D3/262
- 6,722,496 B2 \* 4/2004 Gantert ..... A45C 3/00  
206/315.11
- D498,052 S \* 11/2004 Sauey ..... D14/203.7
- 7,063,737 B2 6/2006 Tilby et al.
- D528,790 S \* 9/2006 Sides ..... D3/262
- D532,971 S \* 12/2006 Sides ..... D3/262
- 7,434,683 B1 \* 10/2008 Harper ..... A45C 5/00  
190/104
- 7,546,920 B1 6/2009 Horn et al.
- 7,905,350 B2 3/2011 Wood et al.
- D641,166 S \* 7/2011 Zivanovic ..... D3/262
- D715,047 S \* 10/2014 Morris ..... D3/262
- D731,789 S \* 6/2015 Quinnan ..... D3/262
- D744,234 S \* 12/2015 Quinnan ..... D3/262
- D744,749 S \* 12/2015 Negrini ..... D3/262

(56) **References Cited**  
U.S. PATENT DOCUMENTS

- 3,191,652 A \* 6/1965 Benson ..... F41C 33/06  
206/317
- D219,417 S \* 12/1970 Heidtman et al. .... D3/262
- 3,865,166 A \* 2/1975 Pedro ..... A45C 11/00  
206/317
- D262,416 S \* 12/1981 Bianchi ..... D3/262
- D284,333 S \* 6/1986 Huston ..... D3/268
- 4,610,286 A \* 9/1986 Cyr ..... A45C 13/02  
190/110
- D294,083 S \* 2/1988 Collins ..... D3/262
- 4,739,809 A \* 4/1988 Adams ..... A45C 3/00  
150/112
- D320,113 S \* 9/1991 VanSkiver ..... D3/262
- D347,322 S \* 5/1994 Fiore ..... D3/262
- D357,351 S \* 4/1995 Kelsall ..... D3/254
- D358,255 S \* 5/1995 Sharp ..... D3/262
- D372,121 S \* 7/1996 Rowe ..... D3/262
- 5,669,495 A 9/1997 West
- D413,020 S \* 8/1999 Kolpin ..... D3/262

\* cited by examiner

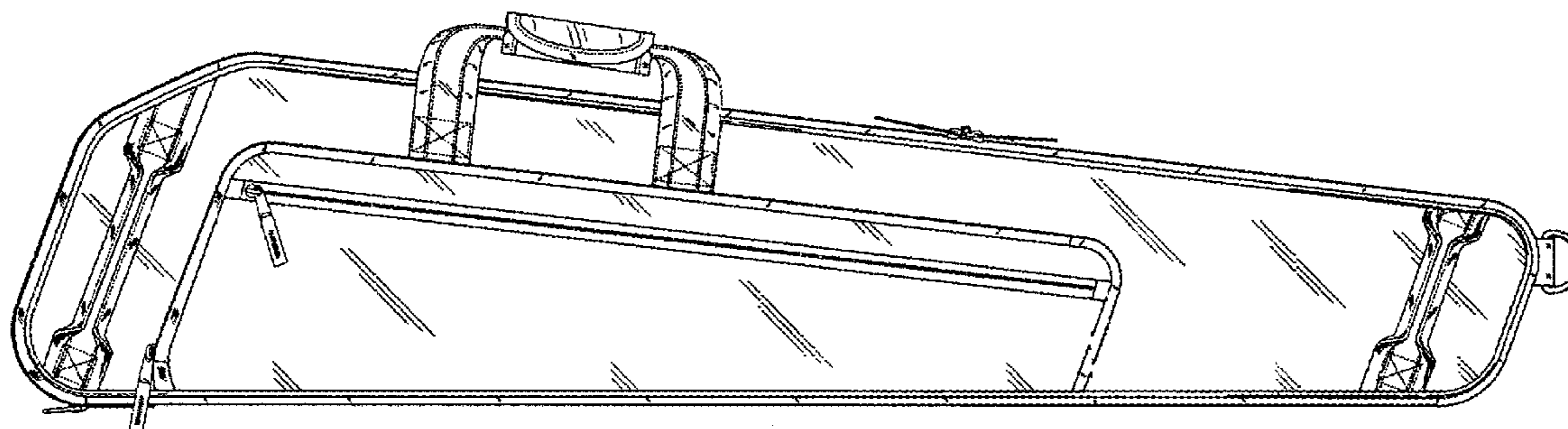
*Primary Examiner* — Mitchell Siegel  
(74) *Attorney, Agent, or Firm* — Boyd D. Cox

(57) **CLAIM**  
The ornamental design for a wedge gun case, as shown.

**DESCRIPTION**

FIG. 1 is a front elevation of the wedge gun case of the present invention;  
FIG. 2 is a rear elevation of the wedge gun case of FIG. 1;  
FIG. 3 is a right side elevation of the wedge gun case of FIG. 1;  
FIG. 4 is a left side elevation of the wedge gun case of FIG. 1;  
FIG. 5 is a top plan view of the wedge gun case of FIG. 1; and,  
FIG. 6 is a bottom plan view of the wedge gun case of FIG. 1.

**1 Claim, 6 Drawing Sheets**



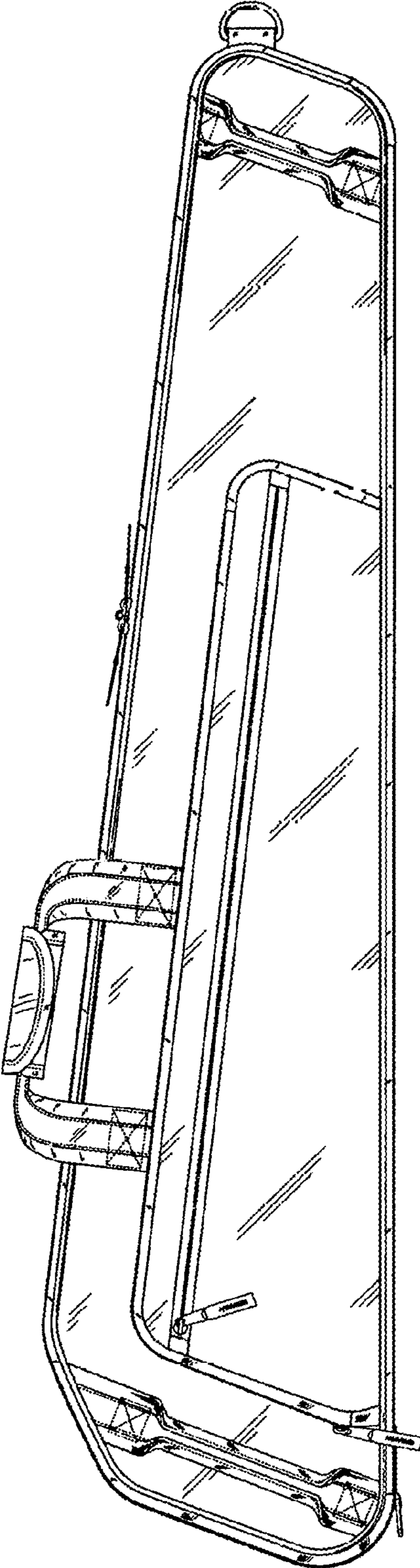


FIG. 1

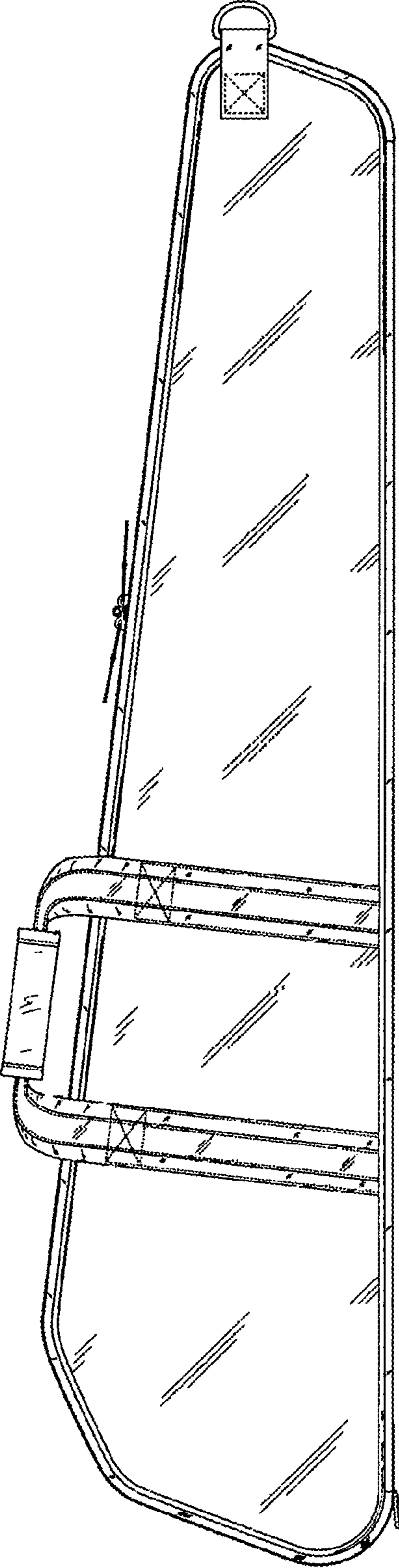


FIG. 2

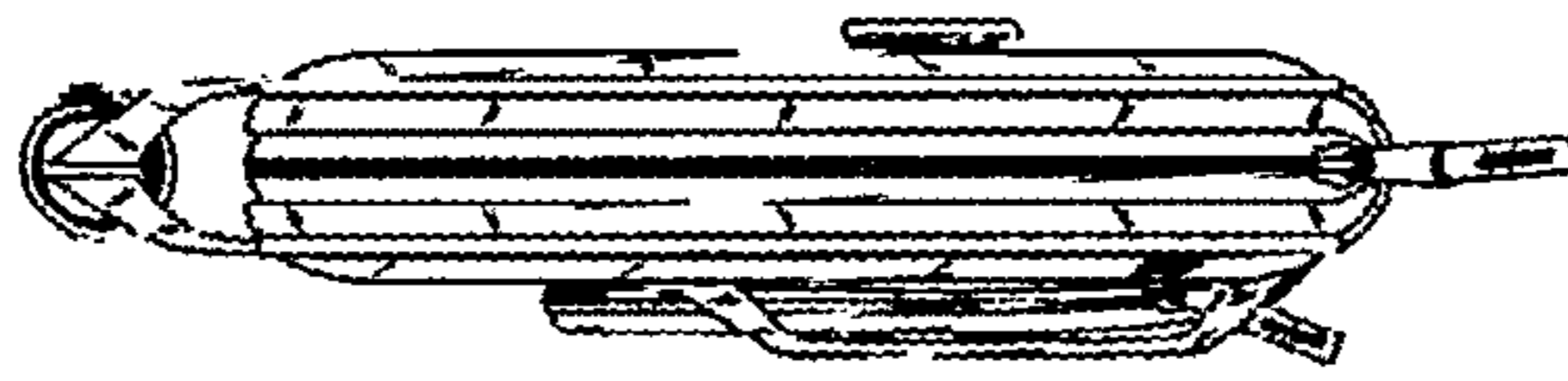


FIG. 3

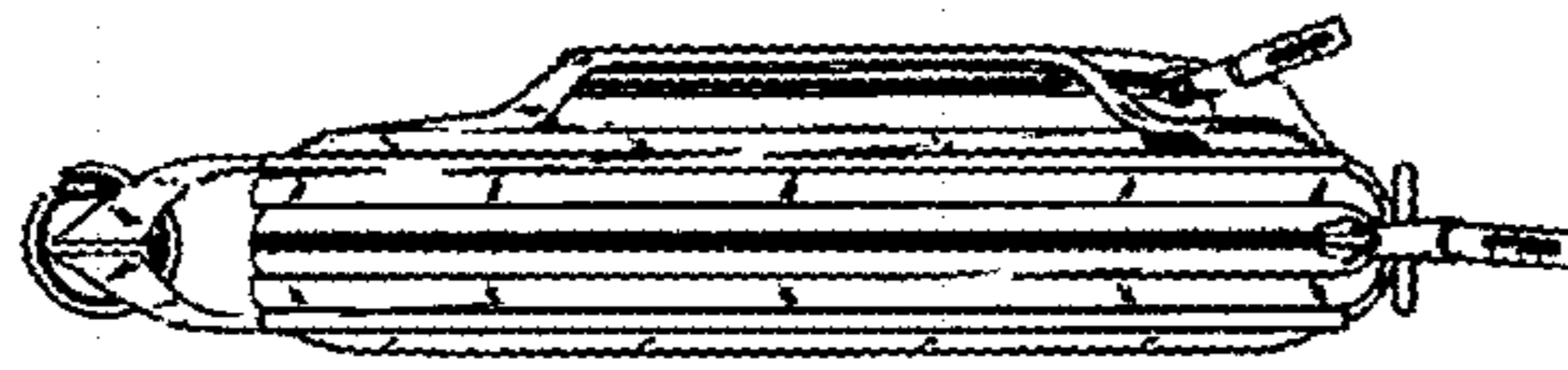


FIG. 4



FIG. 5

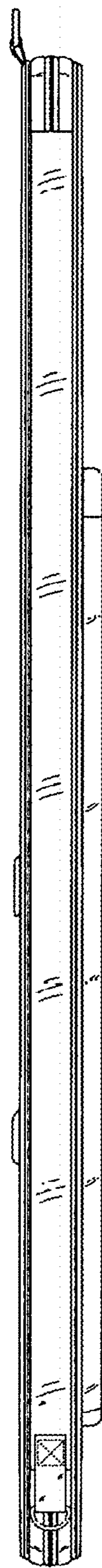


FIG. 6