



US00D759370S

(12) **United States Design Patent**  
**Godzich et al.**

(10) **Patent No.:** **US D759,370 S**

(45) **Date of Patent:** **\*\* Jun. 21, 2016**

(54) **TOTE BAG**

(71) Applicant: **Make Great Days, Inc.**, Denver, CO  
(US)

(72) Inventors: **Timothy M. Godzich**, Denver, CO (US);  
**Rustin S. Coburn**, Denver, CO (US)

(73) Assignee: **Make Great Days, Inc.**, Denver, CO  
(US)

(\*\*) Term: **14 Years**

(21) Appl. No.: **29/504,163**

(22) Filed: **Oct. 2, 2014**

(51) **LOC (10) Cl.** ..... **03-01**

(52) **U.S. Cl.**  
USPC ..... **D3/216**

(58) **Field of Classification Search**  
USPC ..... D3/216, 217, 215, 224, 244, 273, 289,  
D3/290, 283; 224/153, 601, 604, 627, 656;  
190/115, 100

CPC ..... A45F 3/04; A45F 3/02; A45F 2003/002;  
A45C 3/02; A45C 13/02

See application file for complete search history.

(56) **References Cited**

**U.S. PATENT DOCUMENTS**

D241,783 S \* 10/1976 Sykes et al. .... D3/268  
D251,083 S \* 2/1979 Rabinowitz ..... D3/289

(Continued)

**FOREIGN PATENT DOCUMENTS**

WO 2010128979 11/2010

**OTHER PUBLICATIONS**

The Picnic World, Picnic Time Activo Insulated Tote with Waterproof Lining, <http://www.amazon.com/Picnic-Time-Activo-Insulated-Waterproof/db/B0017ZHYRE>, printed from Internet May 14, 2014, 1 page.

(Continued)

*Primary Examiner* — John Windmuller

*Assistant Examiner* — Steven Czyz

(74) *Attorney, Agent, or Firm* — Dicke, Billig & Czaja PLLC

(57) **CLAIM**

The ornamental design for a tote bag, as shown and described herein.

**DESCRIPTION**

FIG. 1 is a front, top, left perspective view of a first embodiment of our new design for a tote bag;

FIG. 2 is a front plan view of the tote bag of FIG. 1;

FIG. 3 is a back plan view of the tote bag of FIG. 1;

FIG. 4 is a left side plan view of the tote bag of FIG. 1;

FIG. 5 is a right side plan view of the tote bag of FIG. 1;

FIG. 6 is a top plan view of the tote bag of FIG. 1;

FIG. 7 is a bottom plan view of the tote bag of FIG. 1; and

FIG. 8 is a top plan view of the tote bag of FIG. 1 showing a reclosable opening in an open position, and with hand straps in a separated position.

FIG. 9 is a front, top, left perspective view of a second embodiment of our new design for a tote bag;

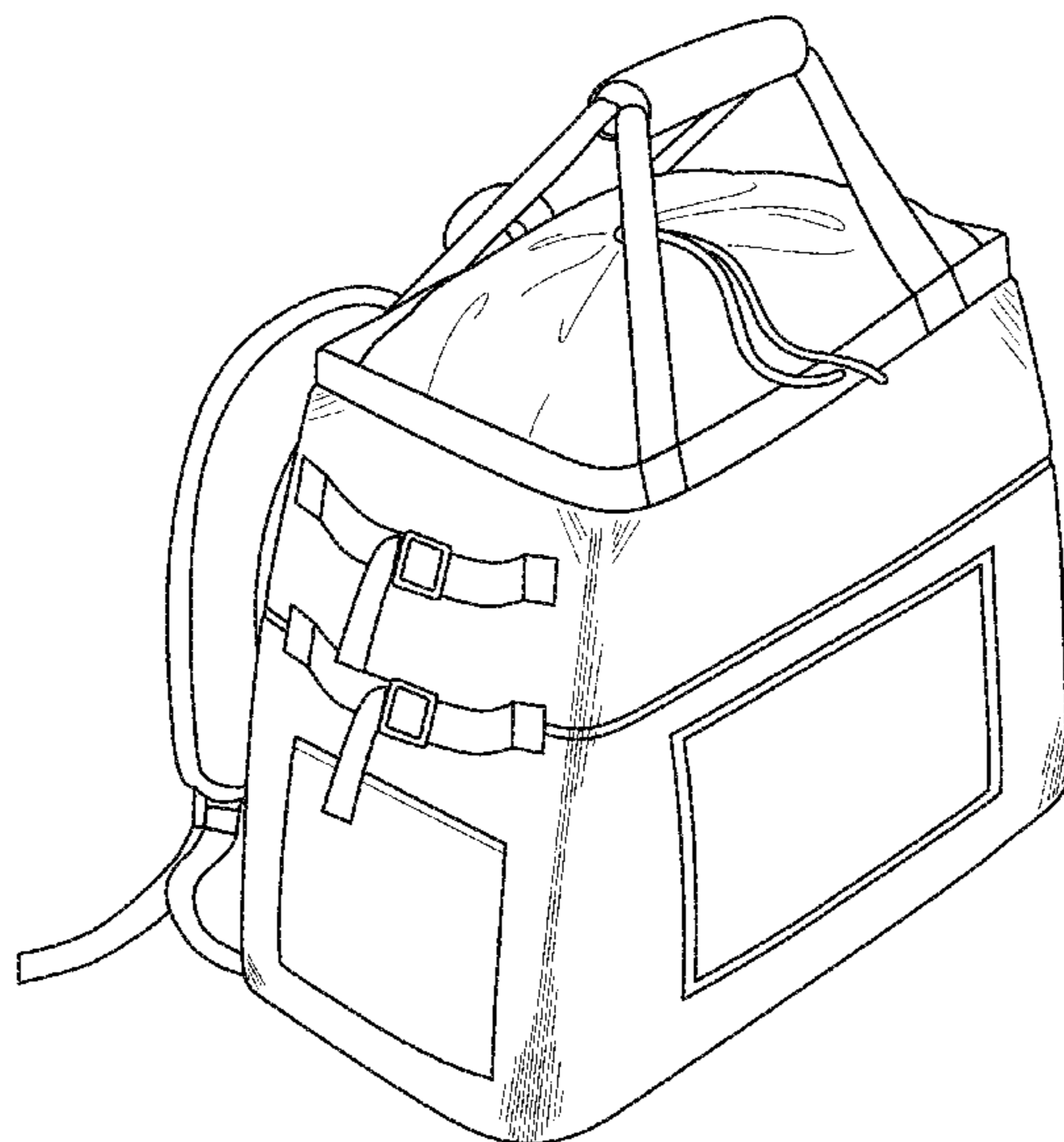
FIG. 10 is a front plan view of the tote bag of FIG. 9;

FIG. 11 is a back plan view of the tote bag of FIG. 9; and,

FIG. 12 is a left side plan view of the tote bag of FIG. 9, and with a right side plan view being a mirror image of the left side plan view.

The broken lines depict portions of the tote bag that form no part of the claimed design.

**1 Claim, 12 Drawing Sheets**



(56)

References Cited

U.S. PATENT DOCUMENTS

4,156,446 A \* 5/1979 Nathan ..... A45C 3/00  
383/103  
4,273,274 A \* 6/1981 Freistadt ..... A45F 3/04  
150/108  
D270,586 S \* 9/1983 Tatnall ..... D3/217  
D284,620 S \* 7/1986 Calton ..... D3/217  
4,673,117 A \* 6/1987 Calton ..... A45C 11/20  
224/148.3  
D300,883 S \* 5/1989 Montandon ..... D3/217  
4,988,216 A \* 1/1991 Lyman ..... A45C 11/20  
383/110  
5,004,134 A \* 4/1991 Barry ..... A45C 3/10  
224/235  
D340,354 S \* 10/1993 Wrath ..... D3/216  
D346,693 S \* 5/1994 Saltzman ..... D3/233  
D358,706 S \* 5/1995 Kopel ..... D3/233  
5,518,315 A \* 5/1996 Nichols ..... A45C 13/36  
383/119  
D375,403 S \* 11/1996 Melk ..... D3/217  
D376,044 S \* 12/1996 Trawick ..... D3/283  
5,618,110 A \* 4/1997 Sullivan ..... A45C 3/10  
224/153  
5,653,337 A \* 8/1997 Cirigliano ..... A45C 3/00  
206/373  
D396,144 S \* 7/1998 Farmer ..... D3/283  
D398,148 S \* 9/1998 Jones ..... D3/217  
D413,724 S \* 9/1999 Freedman ..... D3/243  
D426,384 S \* 6/2000 Brouard ..... D3/276  
D458,018 S \* 6/2002 Mentken ..... D3/216  
6,651,853 B2 \* 11/2003 Higgins ..... A45F 3/04  
224/155

6,655,565 B2 \* 12/2003 Godshaw ..... A45F 4/02  
224/576  
D517,806 S \* 3/2006 Charuwongkhachton ..... D3/305  
7,160,028 B1 \* 1/2007 Linday ..... A45C 9/00  
150/108  
D577,483 S \* 9/2008 Tagliati ..... D3/202  
D641,162 S \* 7/2011 Houston ..... D3/283  
D645,662 S \* 9/2011 Perez ..... D3/216  
D704,437 S \* 5/2014 Di Meglio ..... D3/244  
D732,294 S \* 6/2015 Hu ..... D3/319  
2005/0236450 A1 \* 10/2005 Iannini ..... B63B 35/7946  
224/577  
2008/0257896 A1 \* 10/2008 Guy ..... A45C 5/045  
220/592.2  
2010/0006613 A1 \* 1/2010 Burns ..... A45C 3/00  
224/575  
2013/0048691 A1 \* 2/2013 Meyer ..... A45F 3/12  
224/579

OTHER PUBLICATIONS

EPROMOS, Cinching Custom Tote Bags, <http://www.epromos.com/product/10002661/cinching-tote-bags>, printed from Internet May 14, 2014, 3 pages.  
DKNY, DKNY Drawstring Satchel w/Detachable Strap, <http://www.zappos.com>, printed from Internet May 14, 2014, 4 pages.  
One Bag, Dual-Purpose Travel Bags, <http://www.onebag.com>, printed from Internet Dec. 3, 2013, 4 pages.  
Beachmall, Deluxe Oversized Mesh Family Beach Tote/Bag, <http://www.beachmall.com>, printed from Internet Dec. 3, 2013, 2 pages.  
Beachmall, Activo Waterproof Tote with Multi-pockets, <http://www.beachmall.com>, printed from Internet Dec. 3, 2013, 1 page.

\* cited by examiner

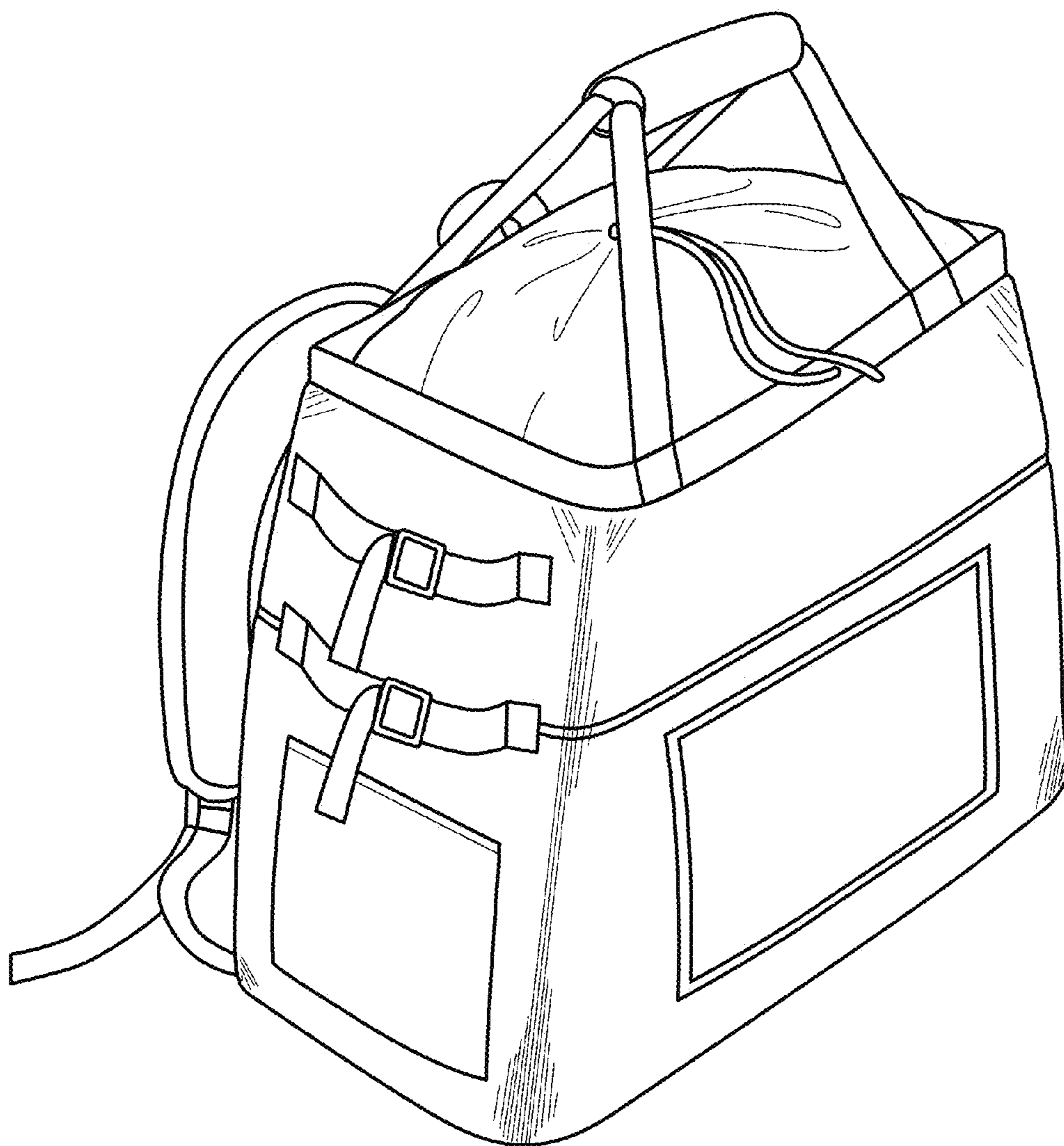


Fig 1.

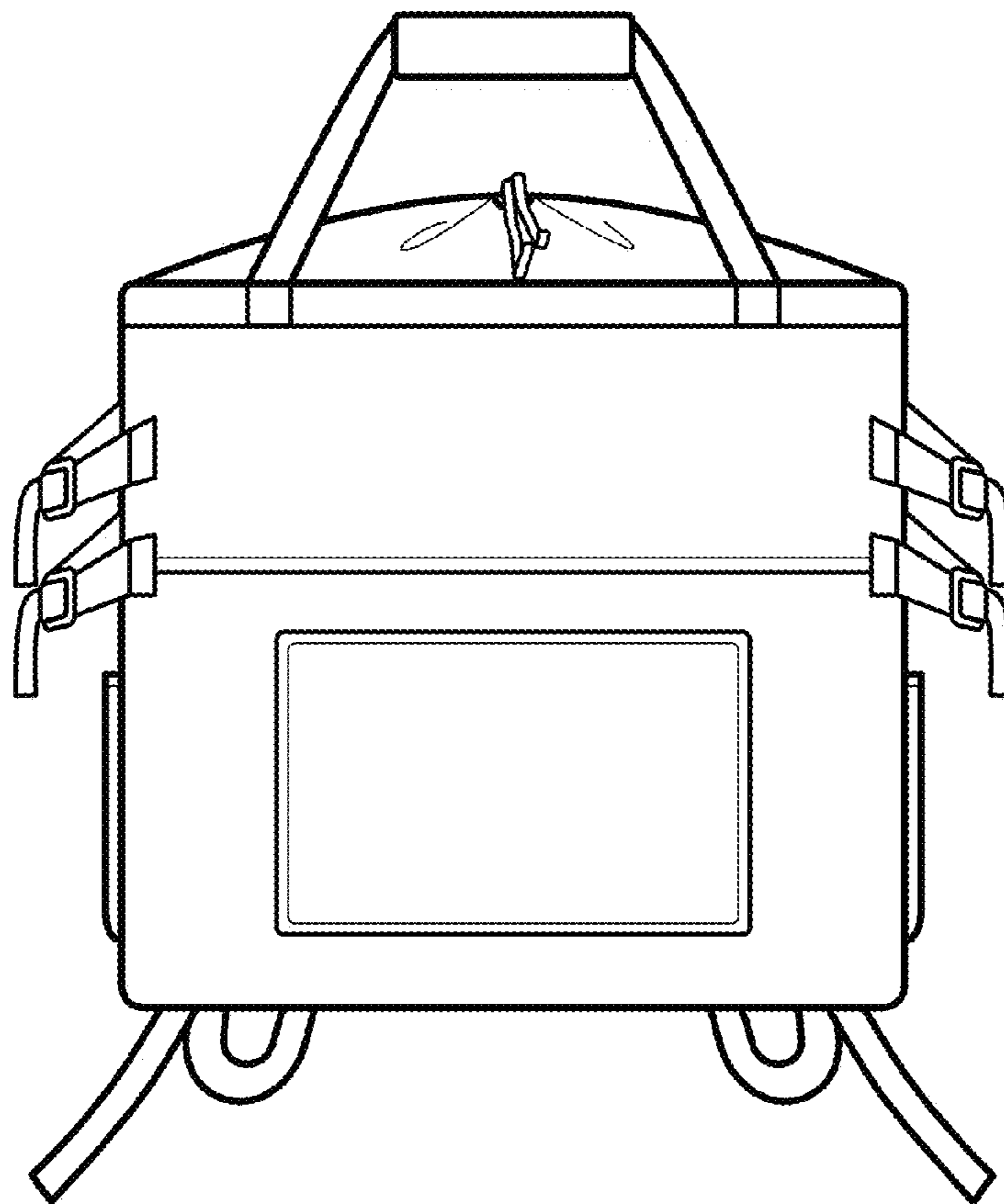


Fig 2.

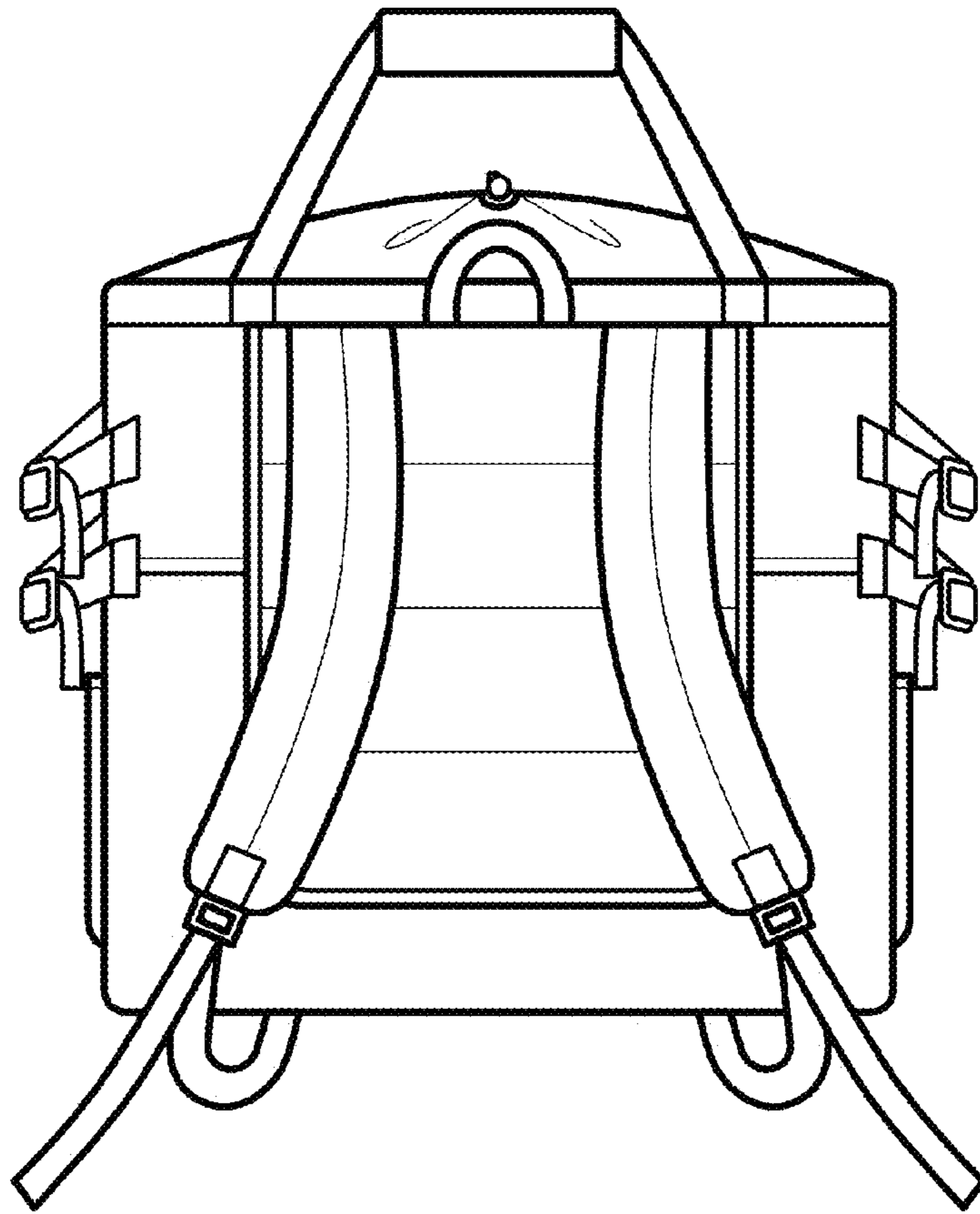


Fig 3.

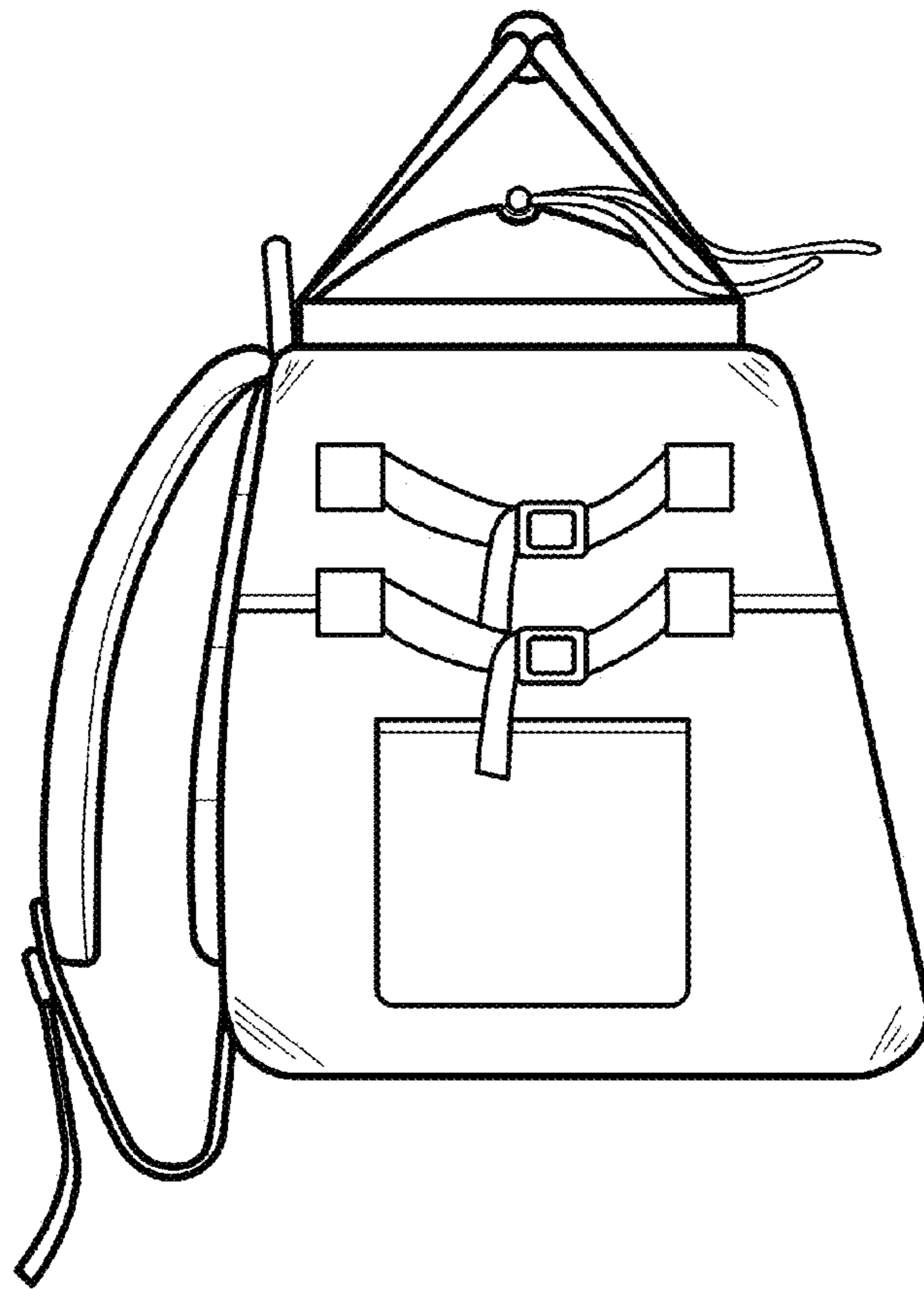


Fig 4.

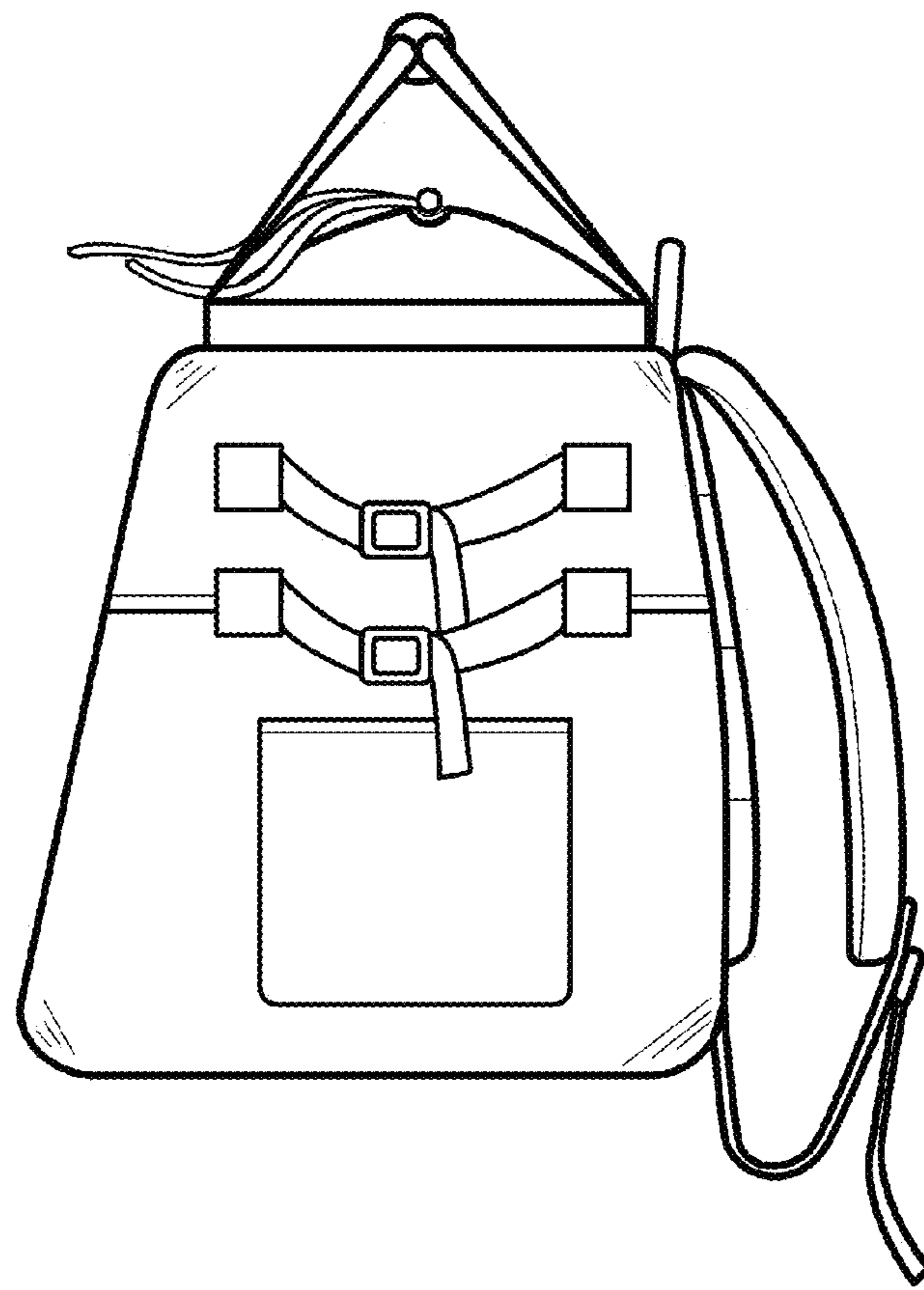


Fig 5.

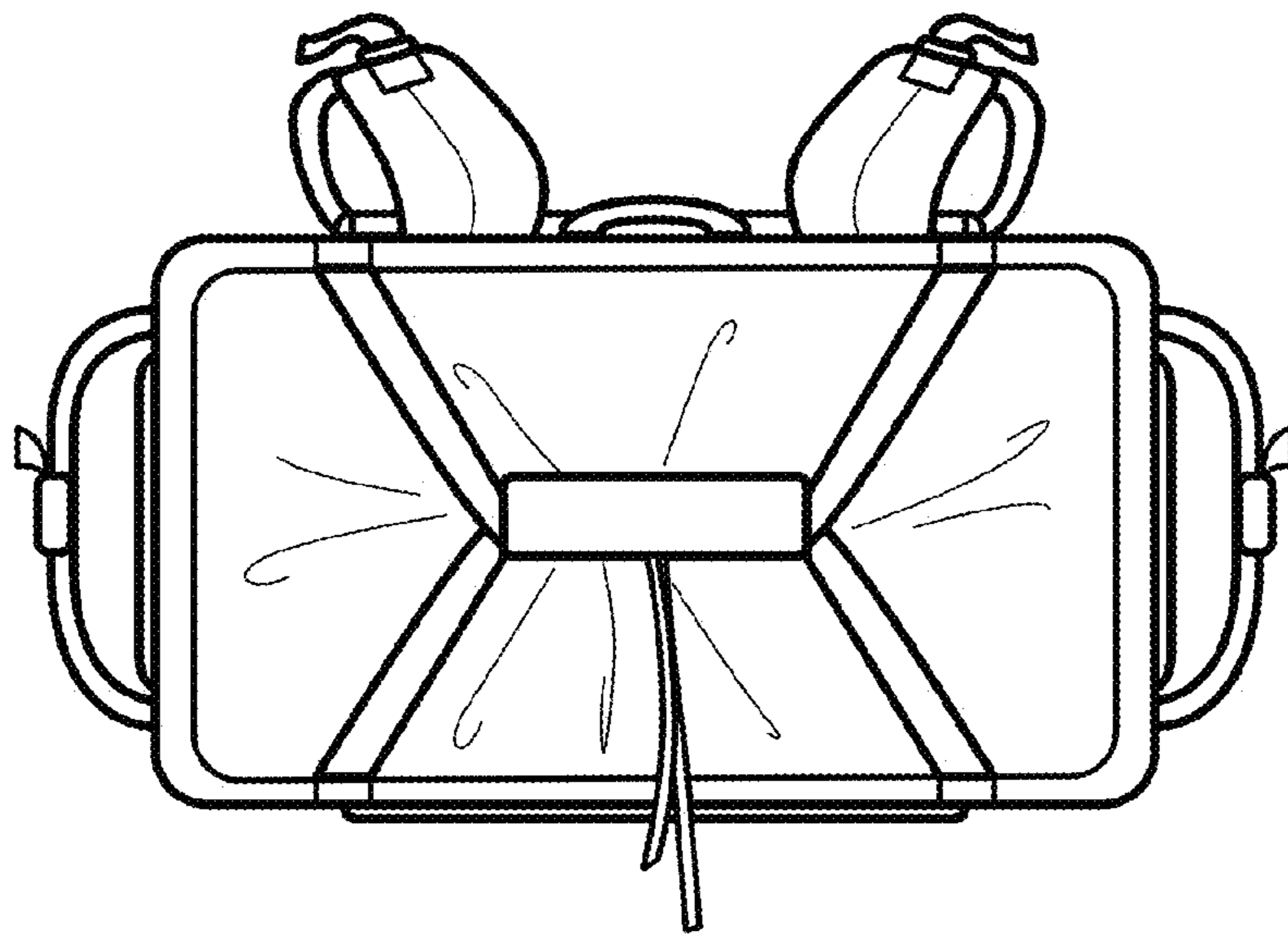


Fig 6.



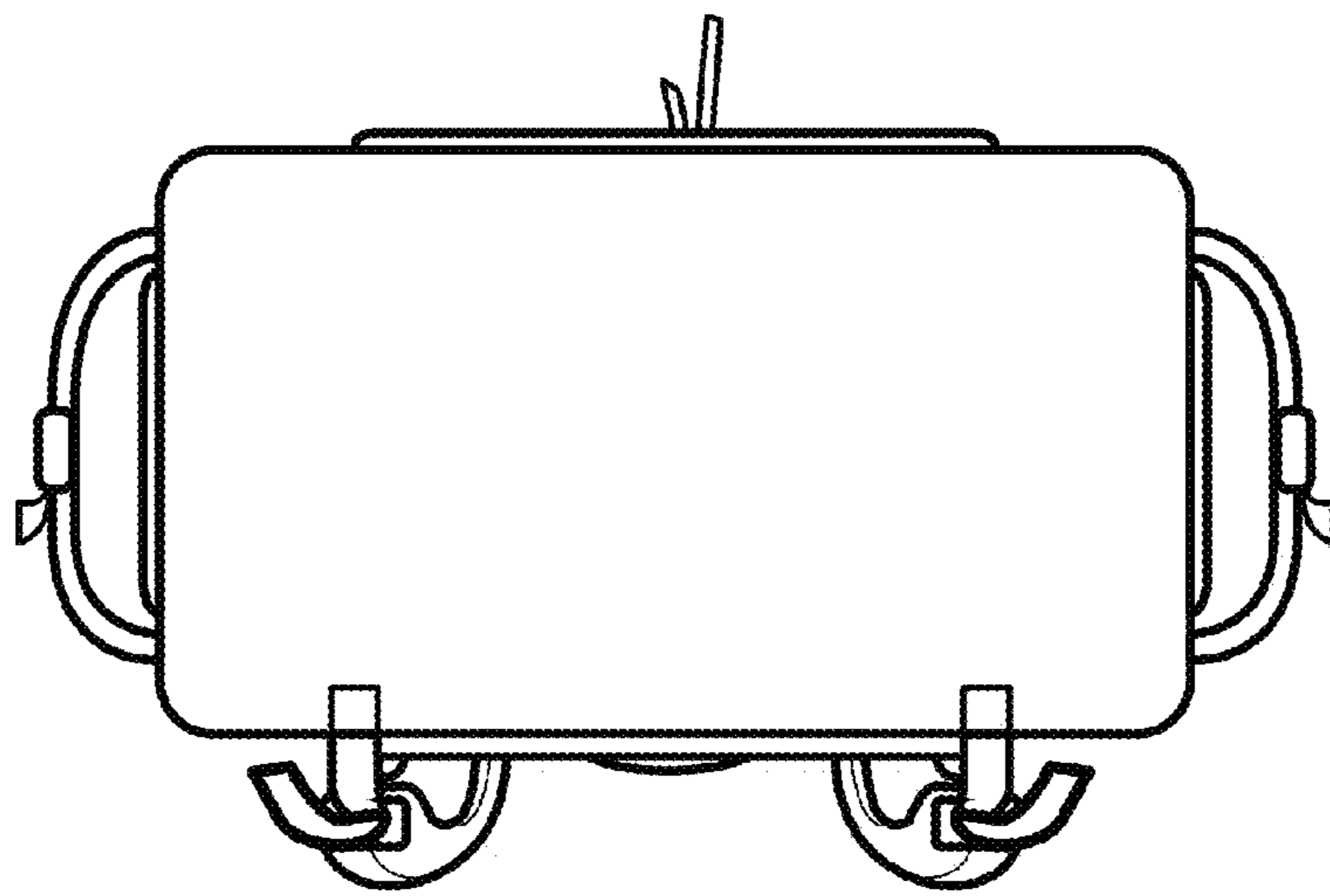


Fig 7.

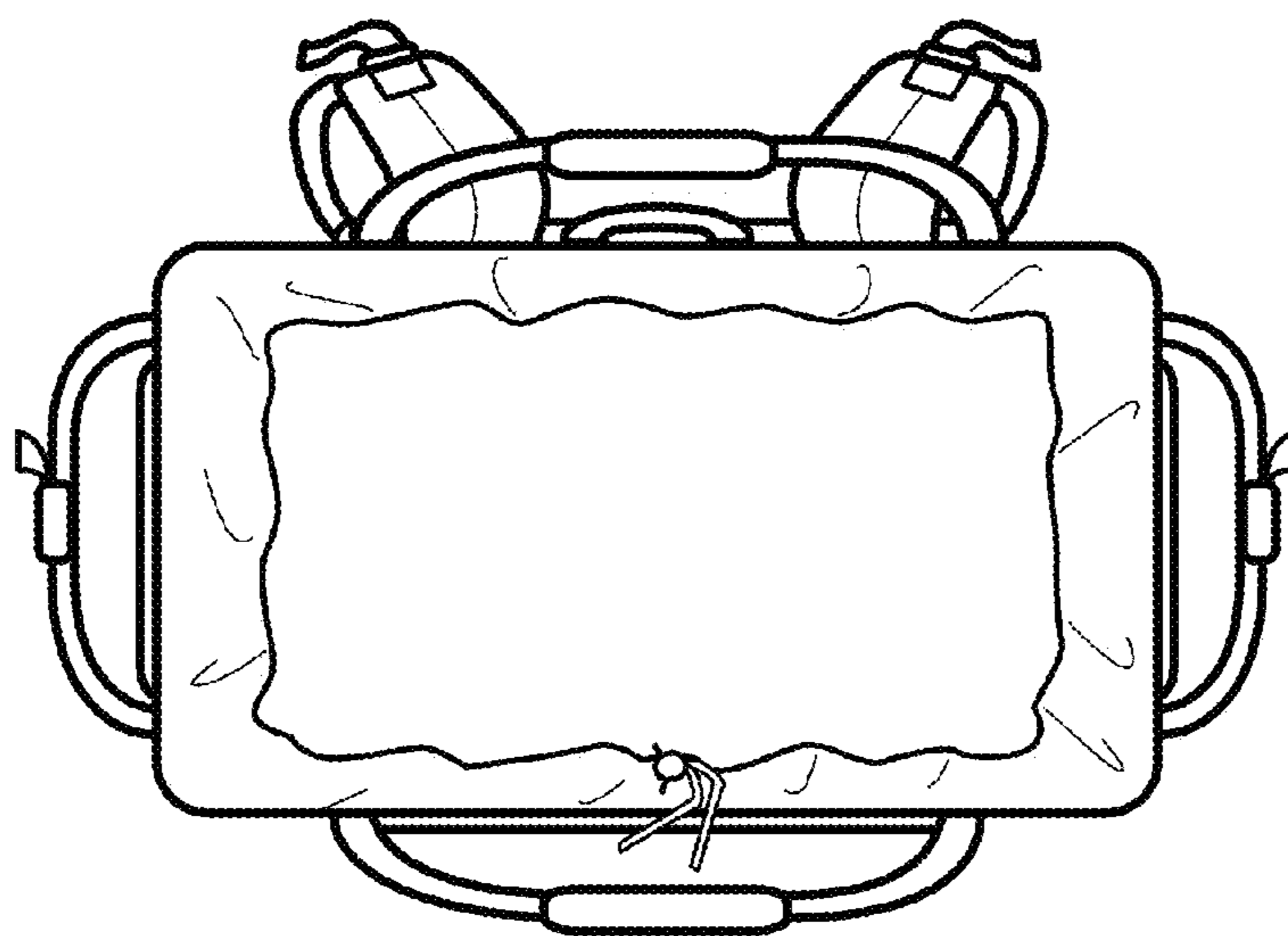


Fig 8.

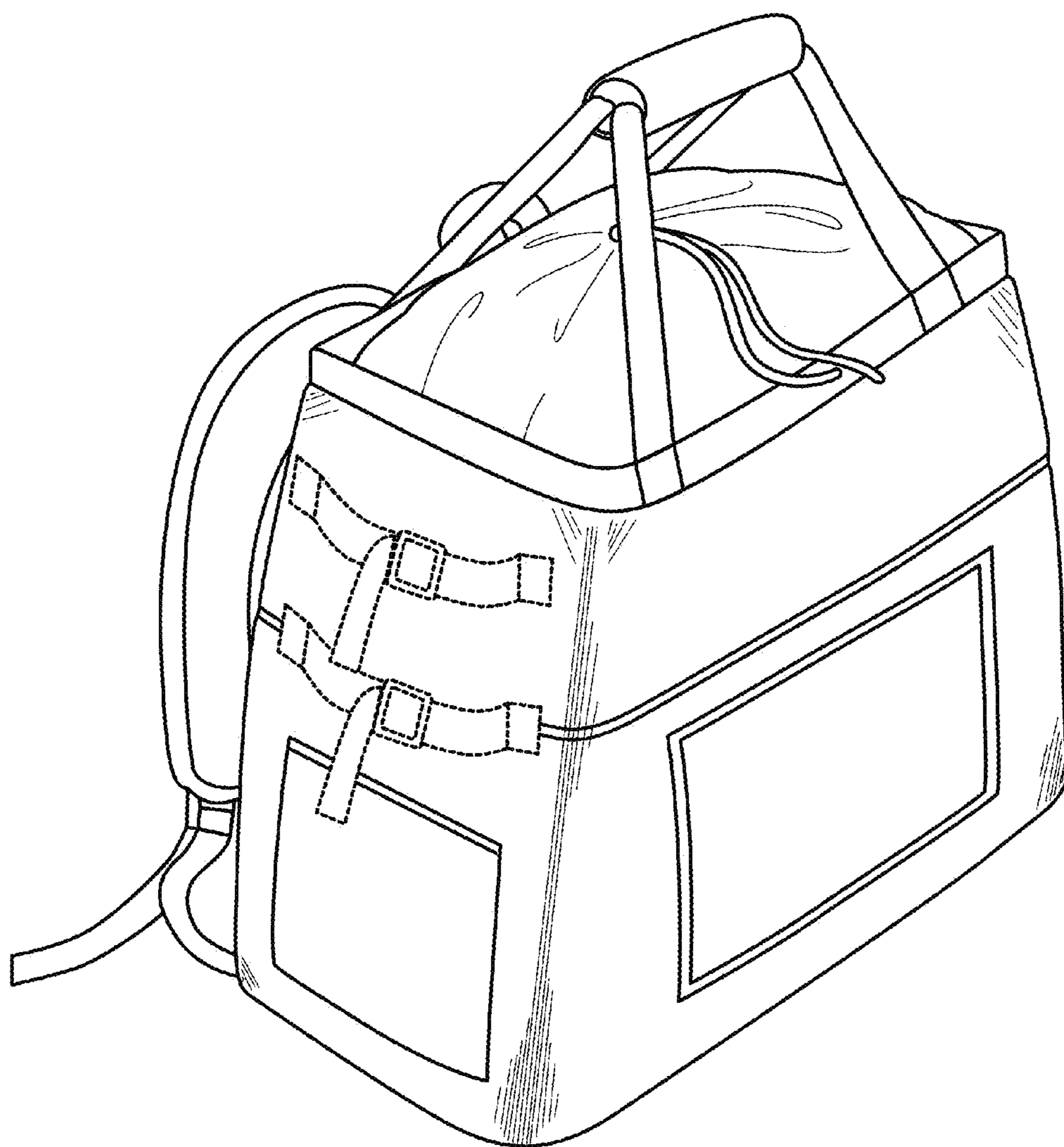


Fig 9.

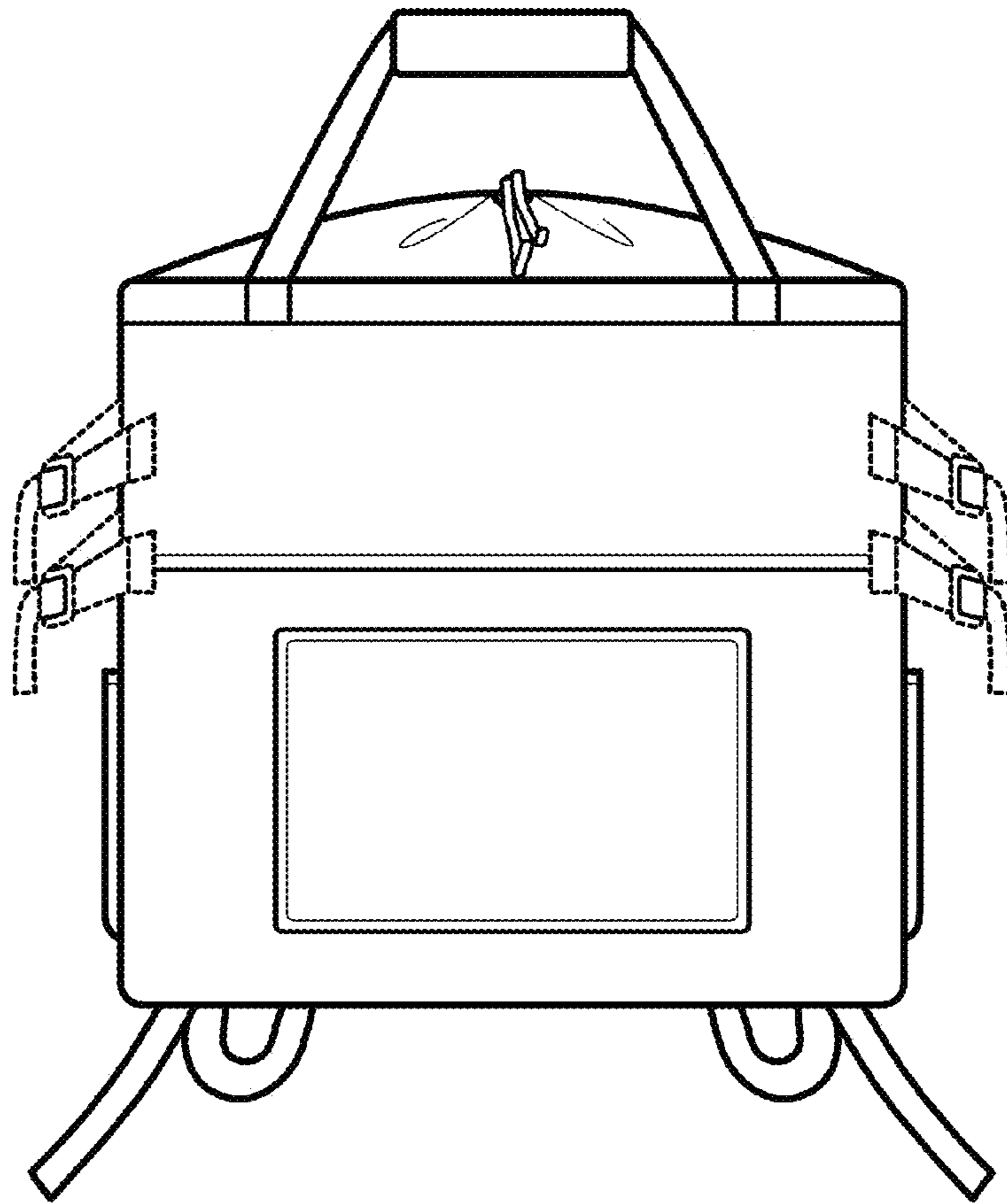


Fig 10.

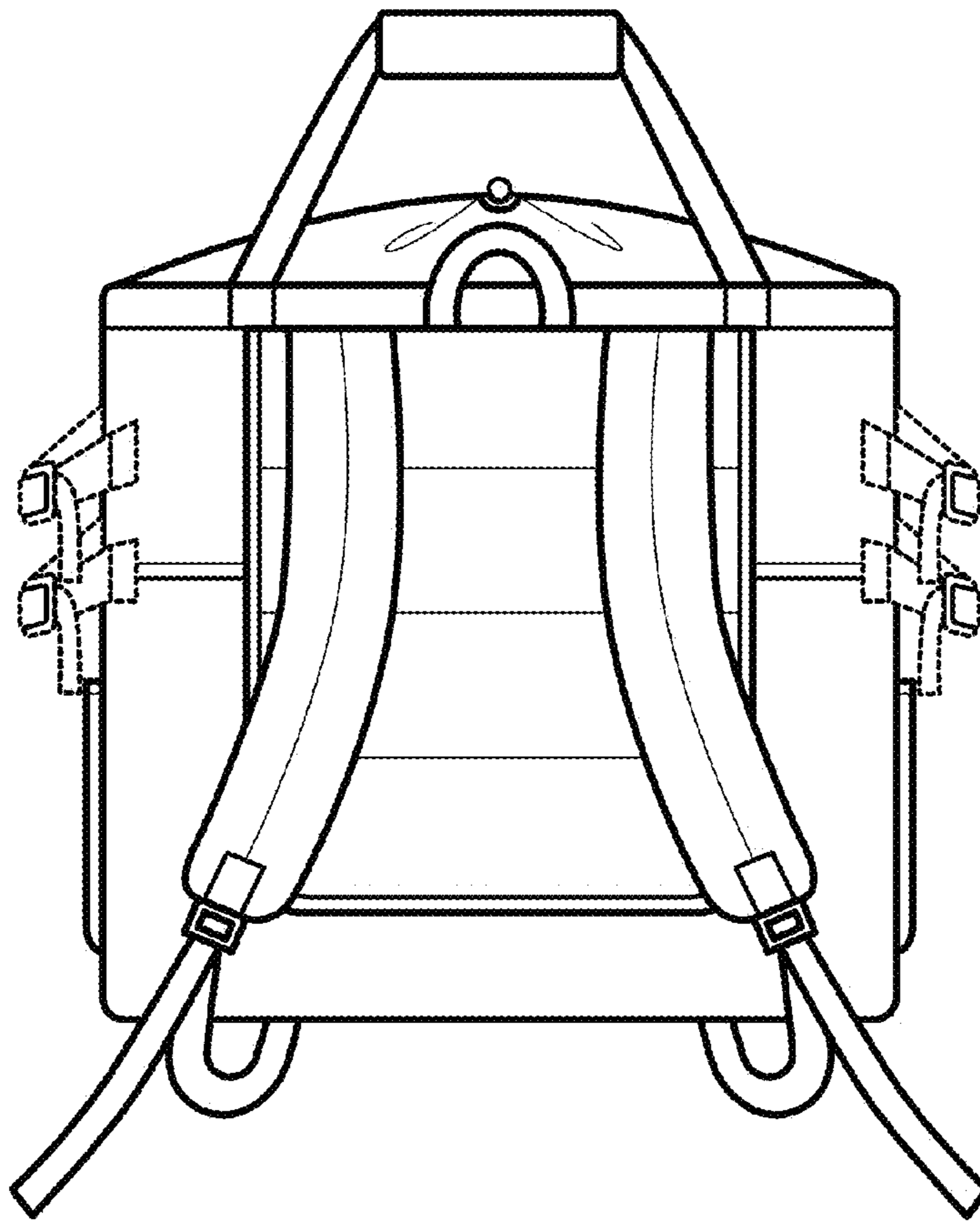


Fig 11.

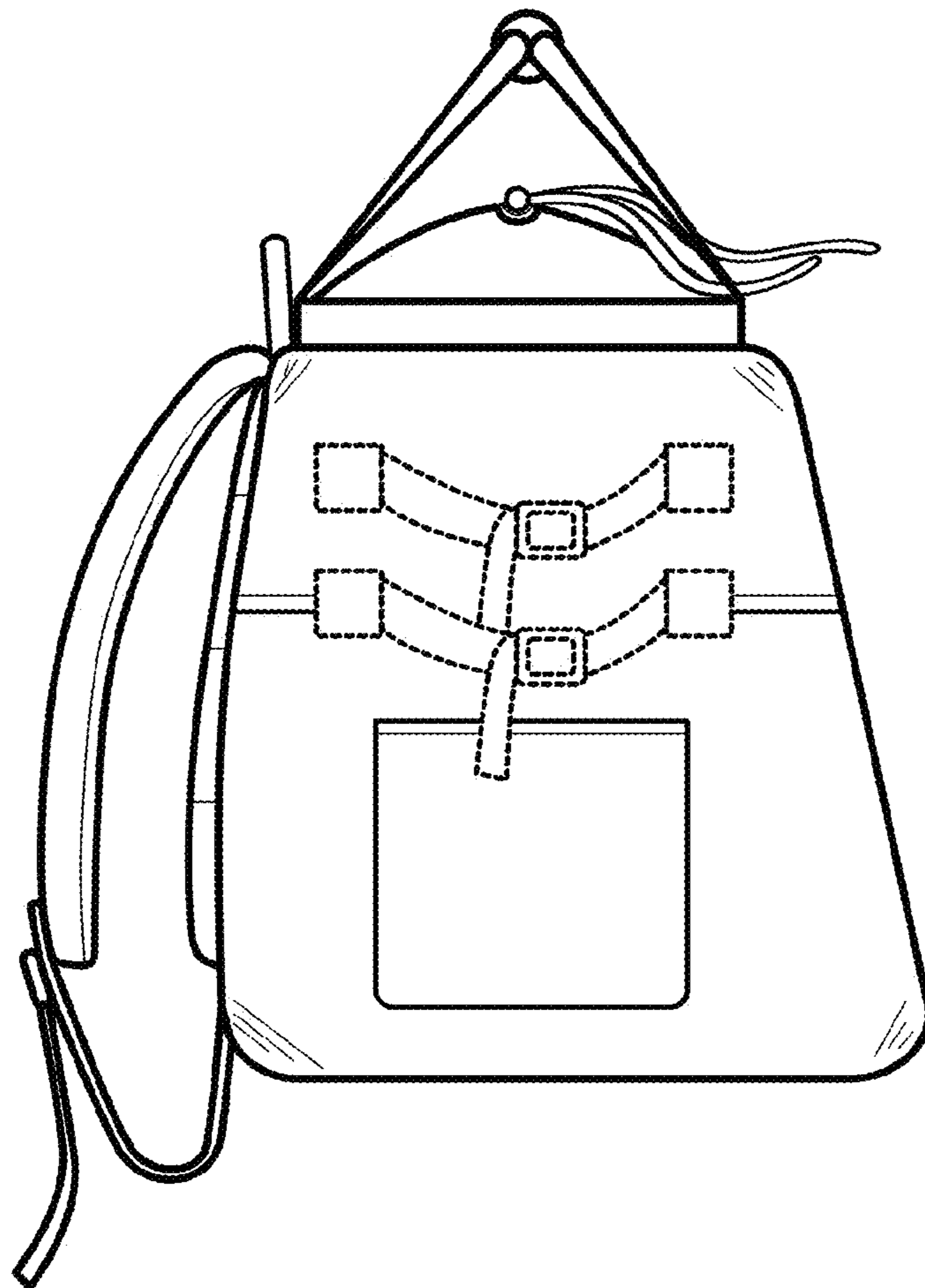


Fig 12.