



US00D759368S

(12) **United States Design Patent**
Spoerri

(10) **Patent No.:** **US D759,368 S**

(45) **Date of Patent:** **** Jun. 21, 2016**

- (54) **SEWING BOX**
- (71) Applicant: **August Spoerri**, West Jordan, UT (US)
- (72) Inventor: **August Spoerri**, West Jordan, UT (US)
- (**) Term: **14 Years**
- (21) Appl. No.: **29/515,241**
- (22) Filed: **Jan. 21, 2015**
- (51) **LOC (10) Cl.** **03-01**
- (52) **U.S. Cl.**
USPC **D3/20**
- (58) **Field of Classification Search**
USPC D3/20, 315, 18, 21; 223/106, 107
CPC D05B 91/14
See application file for complete search history.

- 3,321,117 A * 5/1967 Hedin D05B 91/14
206/227
- 3,322,310 A * 5/1967 Higgs D04B 3/00
206/227
- D251,637 S * 4/1979 Epperson 223/107
- 4,504,000 A * 3/1985 Doyel A45C 5/00
223/107
- D282,216 S * 1/1986 Doyel D3/20
- RE32,184 E * 6/1986 Doyel A45F 3/48
223/107
- D346,682 S * 5/1994 Trovato D3/308
- D476,482 S * 7/2003 Yap D3/315
- D613,507 S * 4/2010 Brouard D3/315
- D623,441 S * 9/2010 Schaeffer D3/276
- D674,191 S * 1/2013 Sakaguchi D3/315
- D721,496 S * 1/2015 Hofem D3/315

* cited by examiner

Primary Examiner — John Windmuller

Assistant Examiner — Steven Czyz

(74) *Attorney, Agent, or Firm* — Thorpe North & Western LLP

(56) **References Cited**

U.S. PATENT DOCUMENTS

- 1,828,208 A * 10/1931 Taylor et al. 223/107
- D97,427 S * 11/1935 Miller et al. D3/20
- 2,044,661 A * 6/1936 Bentz B25H 3/023
223/107
- D111,645 S * 10/1938 Romberg et al. D3/20
- D113,143 S * 1/1939 Karstadt et al. D3/20
- 2,351,597 A * 6/1944 Burlin A47G 29/06
220/262
- D151,013 S * 9/1948 Spence et al. D3/20
- 2,555,781 A * 6/1951 Bristol D04B 3/00
223/107
- 2,564,949 A * 8/1951 Bell D05B 91/12
112/258
- 2,565,893 A * 8/1951 St Germain D05B 91/12
223/107
- 2,679,341 A * 5/1954 Tinker D05B 91/14
211/78
- 2,697,460 A * 12/1954 Barnett B23D 45/068
144/285
- D176,555 S * 1/1956 Rosamond et al. D3/20

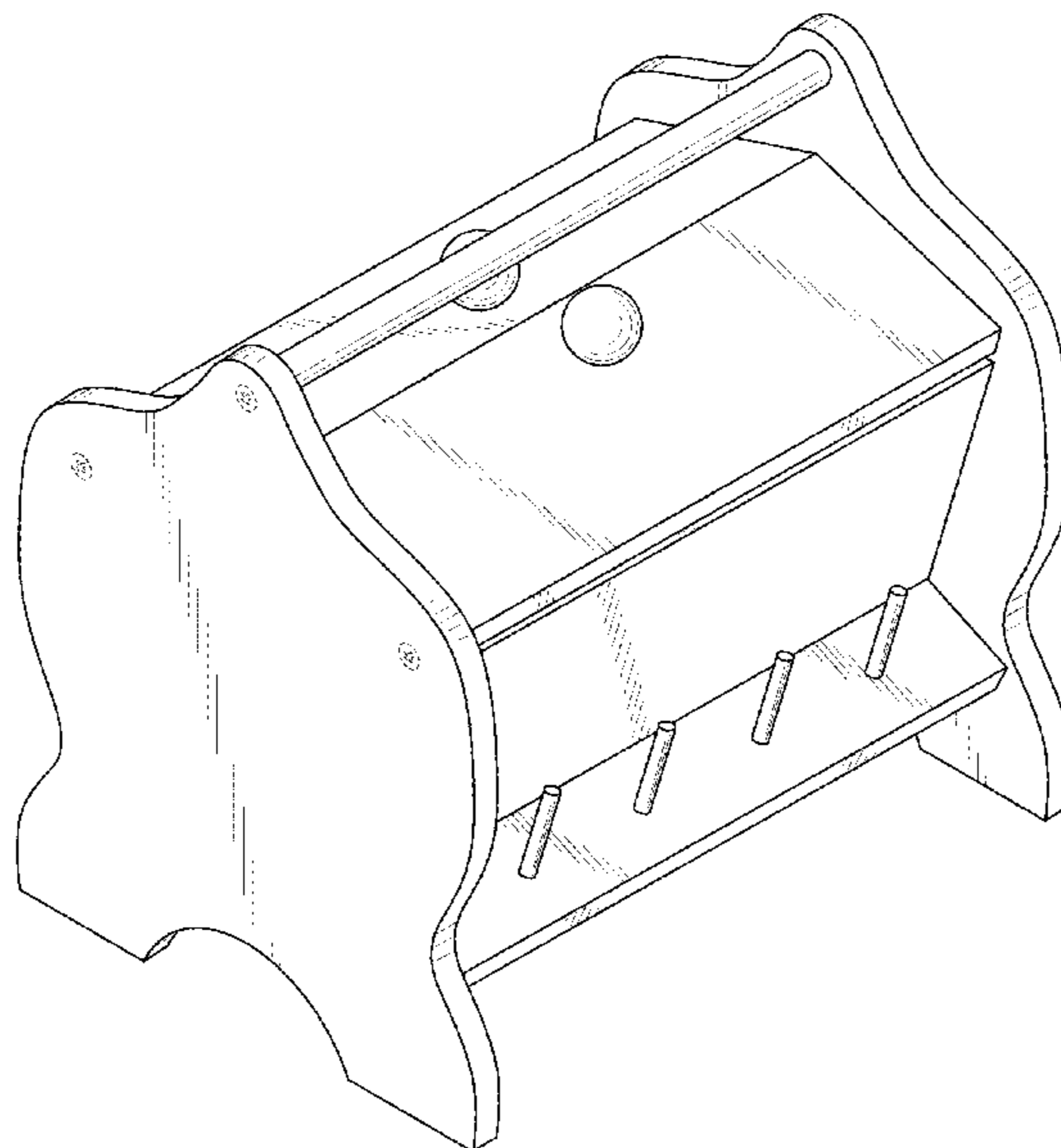
(57) **CLAIM**

The ornamental design for a sewing box, as shown and described herein.

DESCRIPTION

FIG. 1 is an elevated perspective view of a sewing box;
 FIG. 2 is lower perspective view of the sewing box;
 FIG. 3 is a front plan view of the sewing box;
 FIG. 4 is a back plan view of the sewing box;
 FIG. 5 is a left side plan view of the sewing box;
 FIG. 6 is a right side plan view of the sewing box;
 FIG. 7 is a top plan view of the sewing box; and,
 FIG. 8 is a bottom plan view of the sewing box.
 The broken lines depict portions of the article that form no part of the claimed design.

1 Claim, 7 Drawing Sheets



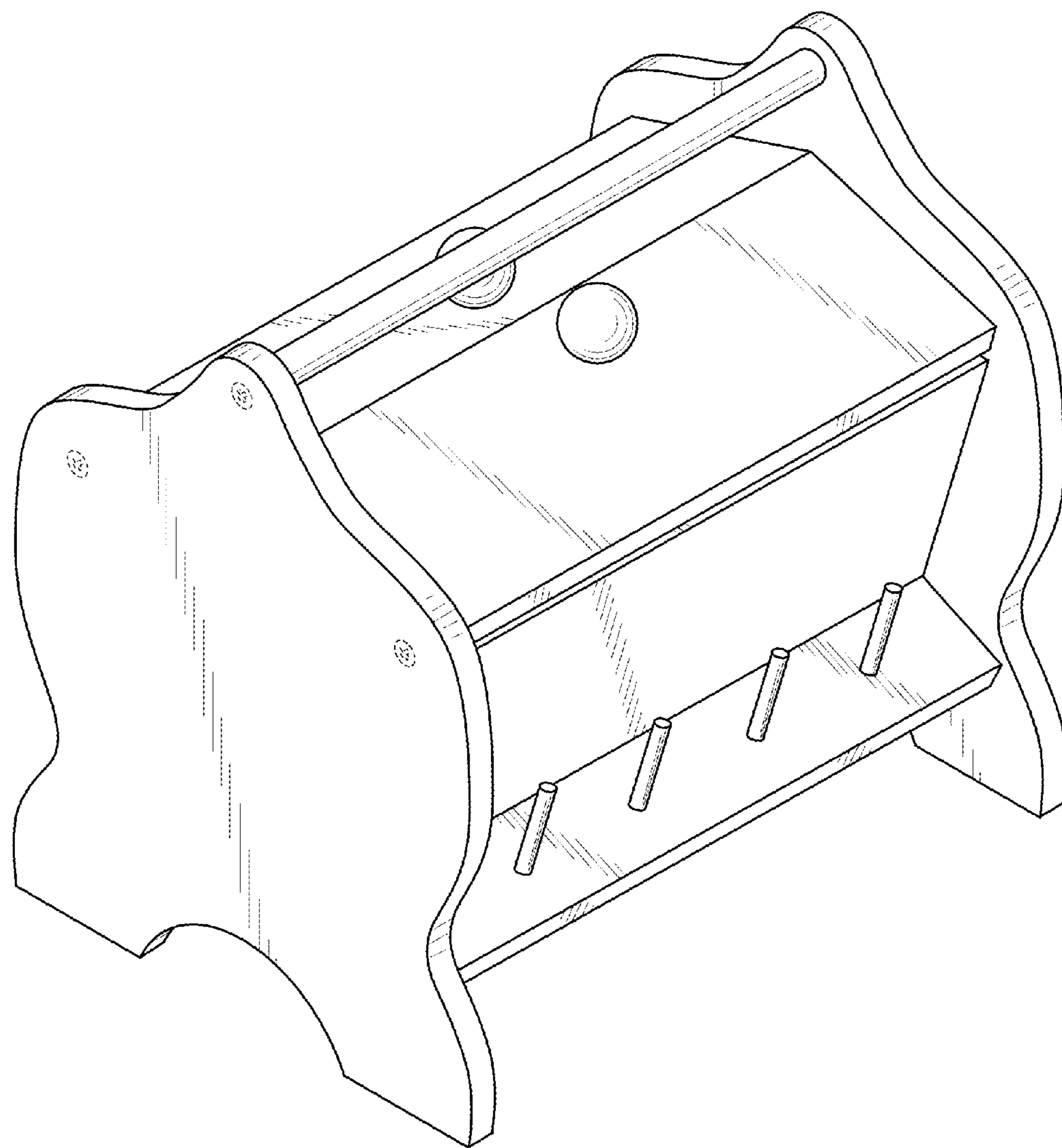


FIG. 1

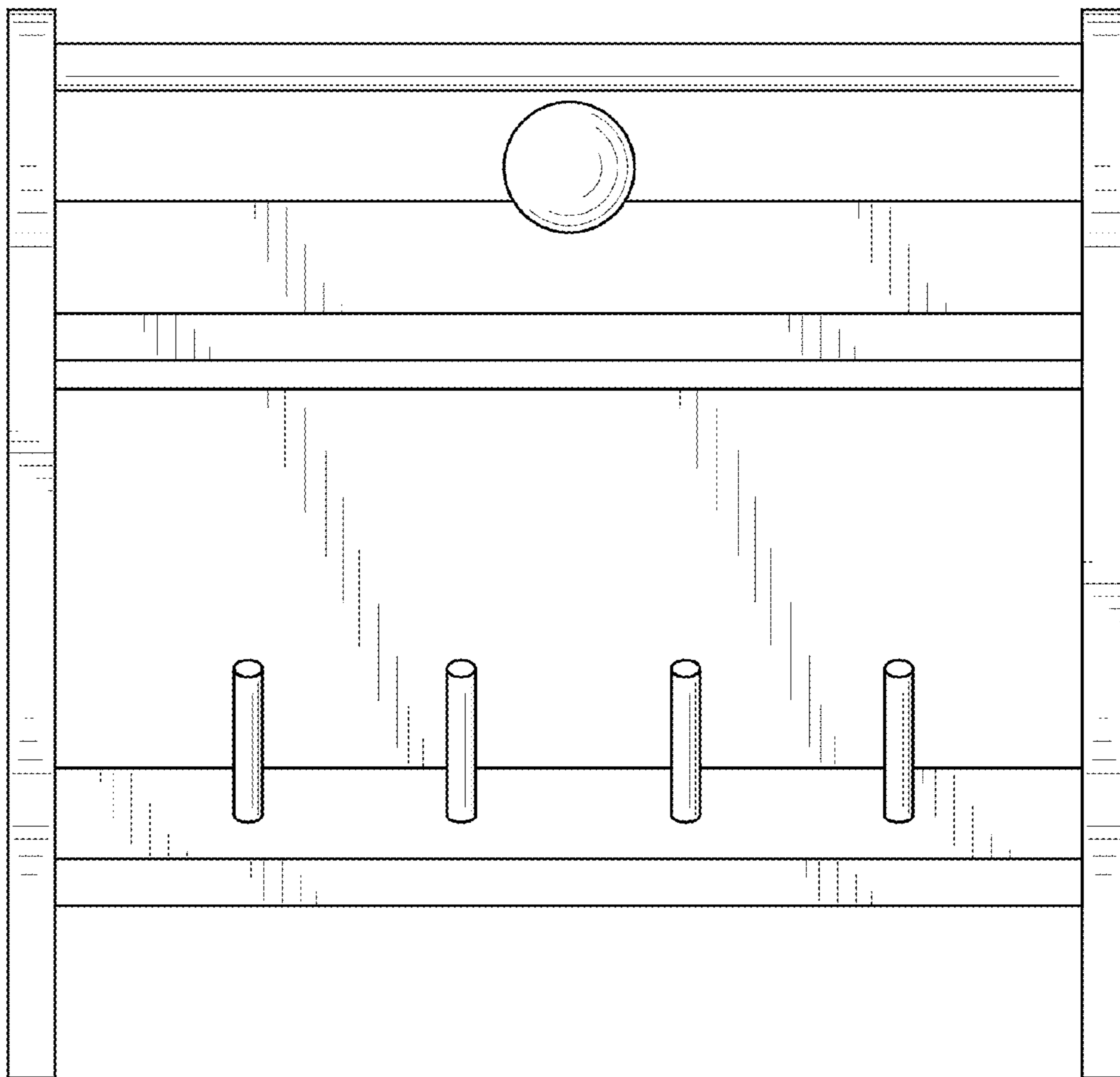


FIG. 3

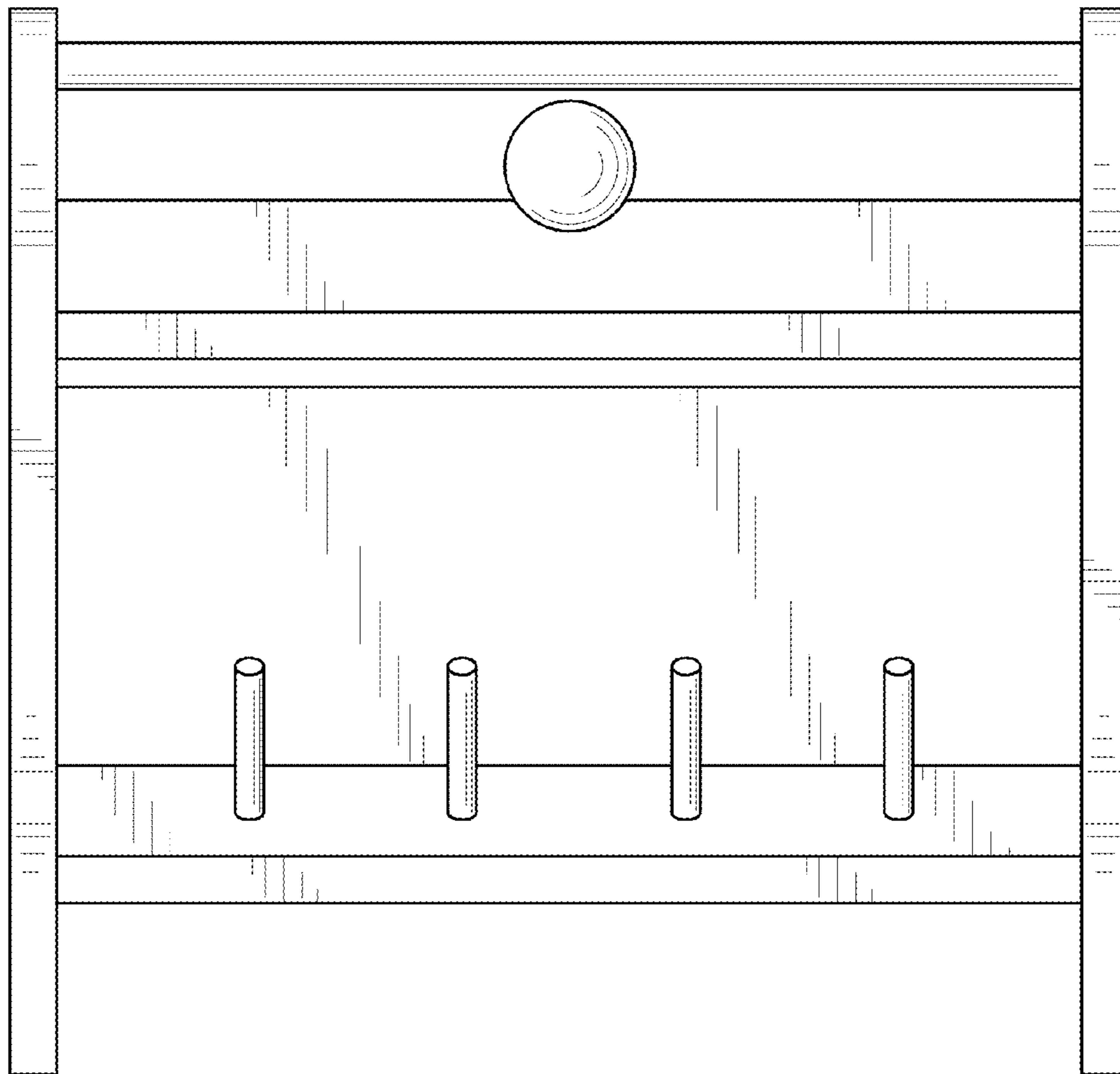


FIG. 4

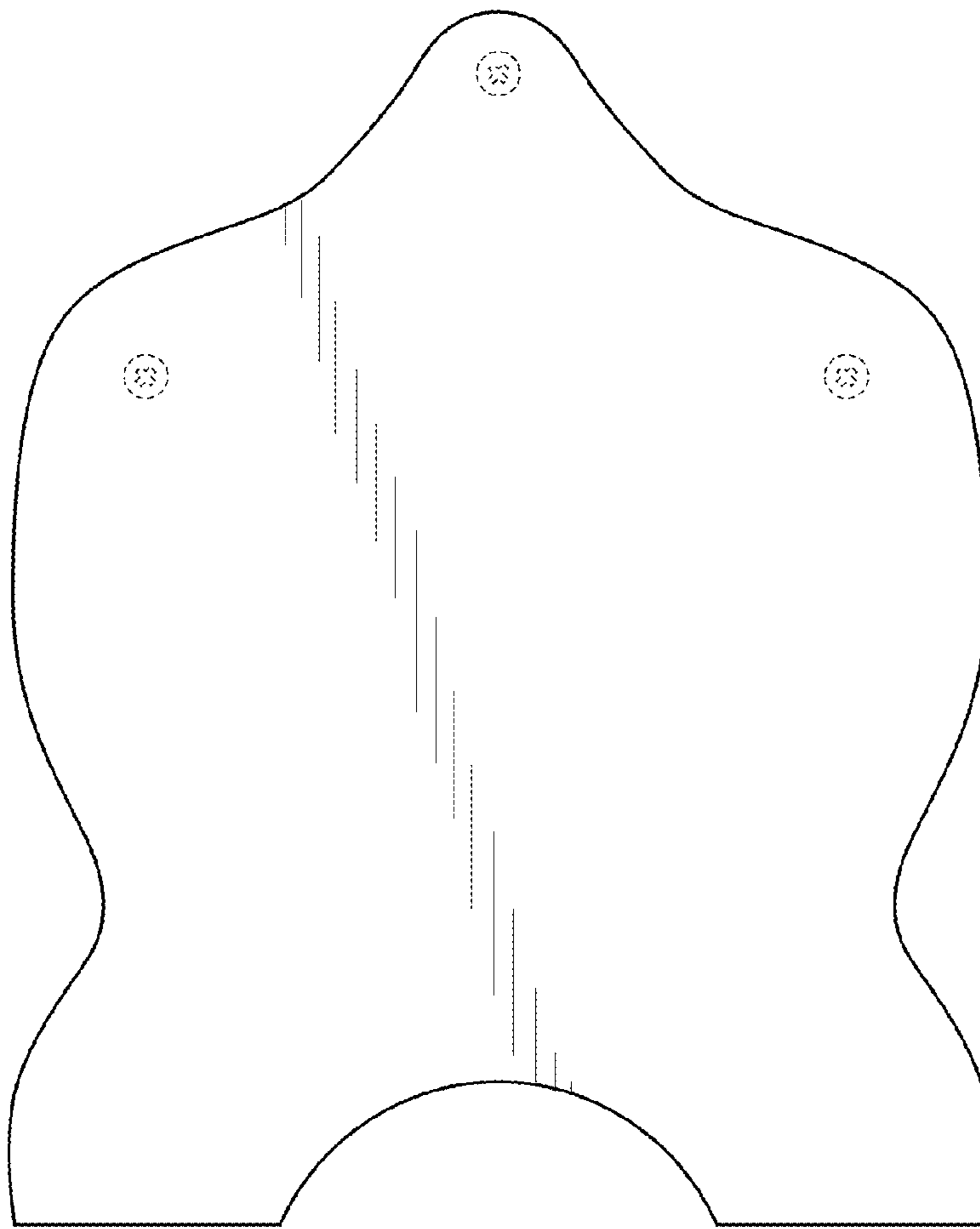


FIG. 5

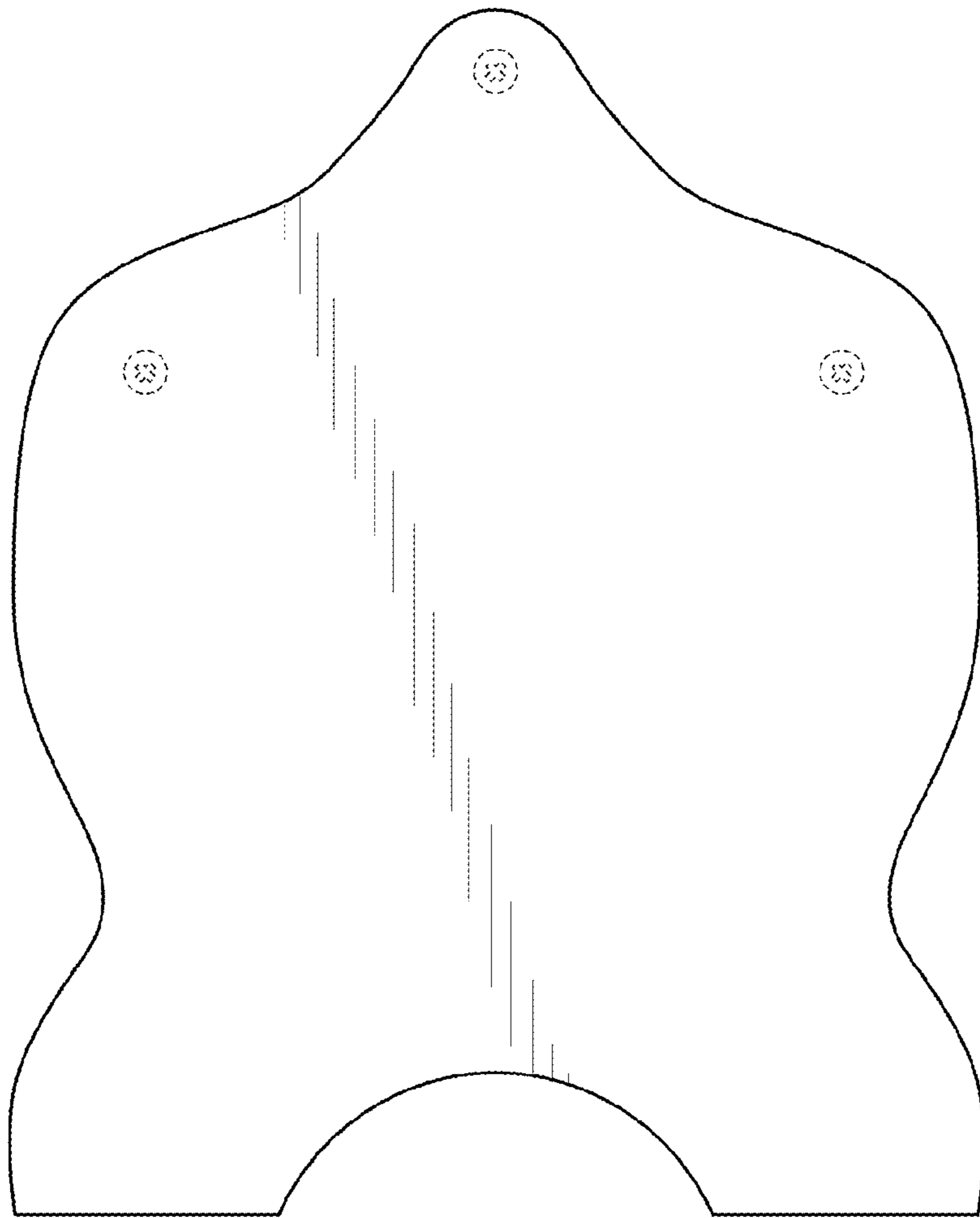


FIG. 6

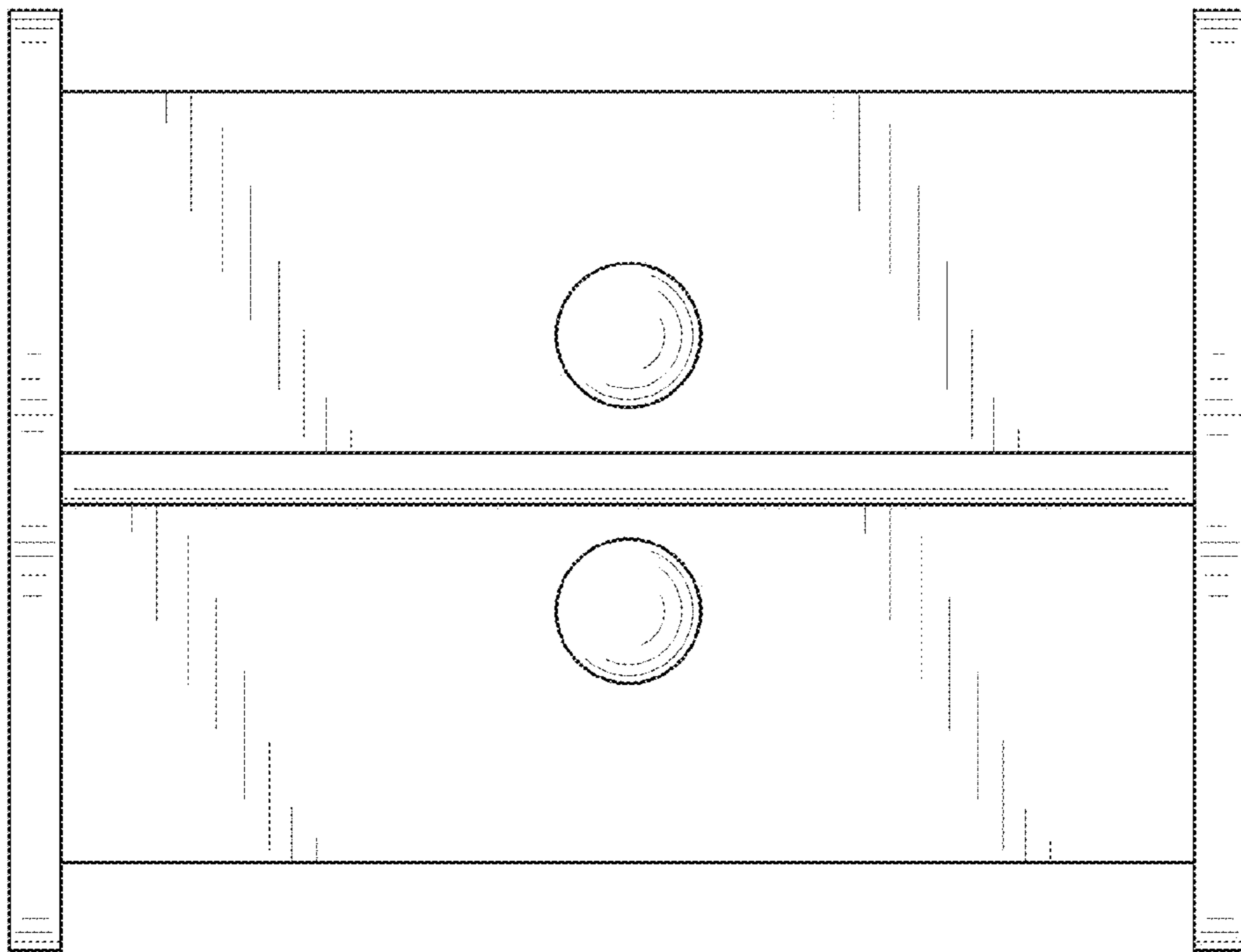


FIG. 7

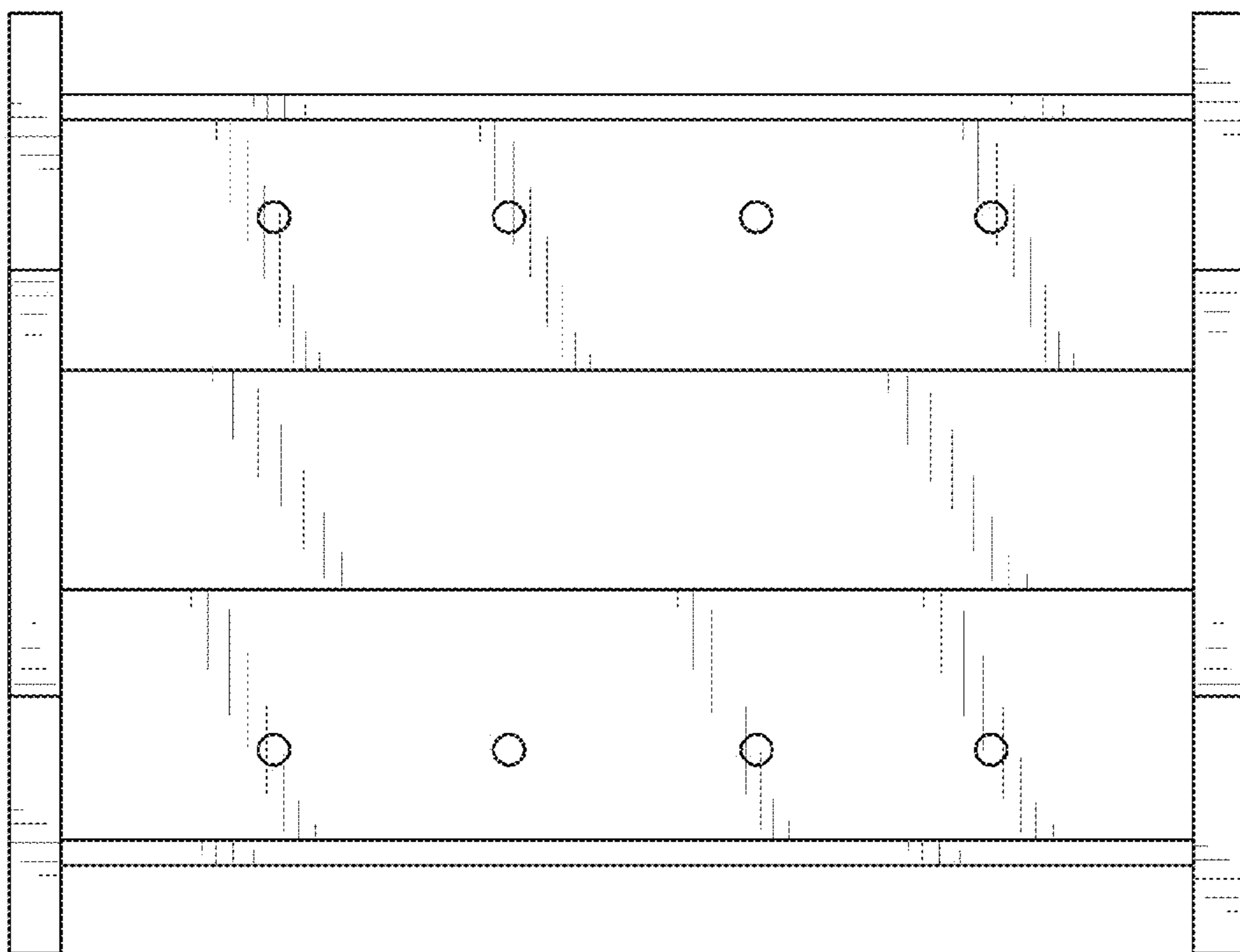


FIG. 8