



US00D759367S

(12) **United States Design Patent**
Zaccaro et al.

(10) **Patent No.:** **US D759,367 S**
(45) **Date of Patent:** **** Jun. 21, 2016**

- (54) **SHADE DEVICE**
- (71) Applicants: **Jeffrey T. Zaccaro**, Lake Forest, CA (US); **Michael J. Zaccaro**, Trabuco Canyon, CA (US)
- (72) Inventors: **Jeffrey T. Zaccaro**, Lake Forest, CA (US); **Michael J. Zaccaro**, Trabuco Canyon, CA (US)
- (**) Term: **14 Years**
- (21) Appl. No.: **29/507,098**
- (22) Filed: **Oct. 23, 2014**
- (51) **LOC (10) Cl.** **03-03**
- (52) **U.S. Cl.**
USPC **D3/5**
- (58) **Field of Classification Search**
USPC D3/5, 6, 10, 11, 12, 14, 16;
D21/837-839
CPC A47C 7/66; A45B 25/02; A45B 23/00;
A45B 25/14; E04H 15/28
See application file for complete search history.

7,958,901	B2 *	6/2011	Lai	A45B 17/00
					135/20.3
8,104,492	B2 *	1/2012	Dan	A45B 23/00
					135/20.3
RE43,303	E *	4/2012	Browne	D3/5
RE43,484	E *	6/2012	Browne	D3/5
D665,569	S *	8/2012	Ketcher	D3/5
D677,046	S *	3/2013	Hoogendoorn	D3/5
D684,353	S *	6/2013	Grohs	D3/5
D685,539	S *	7/2013	McPherson	D3/5
8,807,513	B2 *	8/2014	Volin	A45B 23/00
					135/16
D738,608	S *	9/2015	Forthuber	D3/5
2001/0040208	A1 *	11/2001	Li	A45B 23/00
					248/519
2004/0177871	A1 *	9/2004	Harbaugh	A45B 19/10
					135/20.1
2010/0206346	A1 *	8/2010	Tung	A45B 23/00
					135/20.1
2013/0146739	A1	6/2013	Zhao		
2014/0230866	A1	8/2014	Paolucci		

* cited by examiner

Primary Examiner — John Windmuller
Assistant Examiner — Steven Czyz
(74) *Attorney, Agent, or Firm* — Eric Karich; Karich & Associates

(57) **CLAIM**
The ornamental design for a “shade device,” as shown and described.

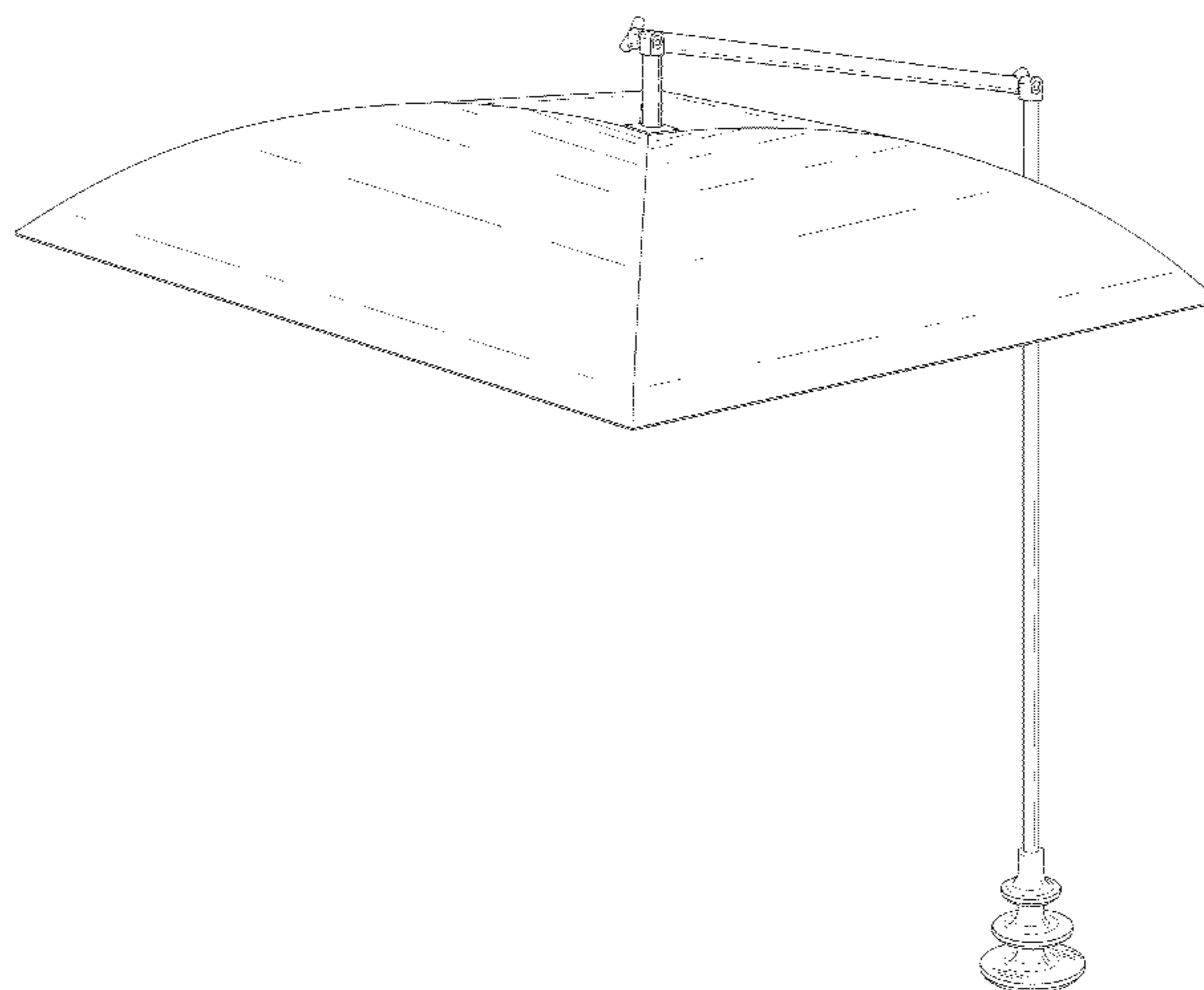
DESCRIPTION

FIG. 1 is a perspective view of a shade device, showing my new design;
FIG. 2 is a front elevational view thereof;
FIG. 3 is a rear elevational view thereof;
FIG. 4 is a right side elevational view thereof
FIG. 5 is a left side elevational view thereof;
FIG. 6 is a top plan view thereof; and,
FIG. 7 is a bottom plan view thereof.
The broken lines depict portions of the article that form no part of the claimed design.

1 Claim, 7 Drawing Sheets

(56) **References Cited**
U.S. PATENT DOCUMENTS

5,152,495	A	10/1992	Jacinto et al.	
5,396,916	A	3/1995	Boissonnault	
5,662,304	A	9/1997	McDaniel	
6,715,503	B2	4/2004	Brooks, III	
6,725,870	B1 *	4/2004	Lo A45B 23/00
				135/20.1
D497,479	S *	10/2004	Yu D3/5
D516,294	S *	3/2006	Olson D3/5
D554,850	S *	11/2007	Acosta D3/5
7,520,485	B1	4/2009	Giannetto	
D609,453	S *	2/2010	Liu D3/5
D612,146	S *	3/2010	Clarke D3/5
D621,600	S *	8/2010	He D3/5
D629,603	S *	12/2010	Liu D3/5
D638,622	S *	5/2011	He D3/5



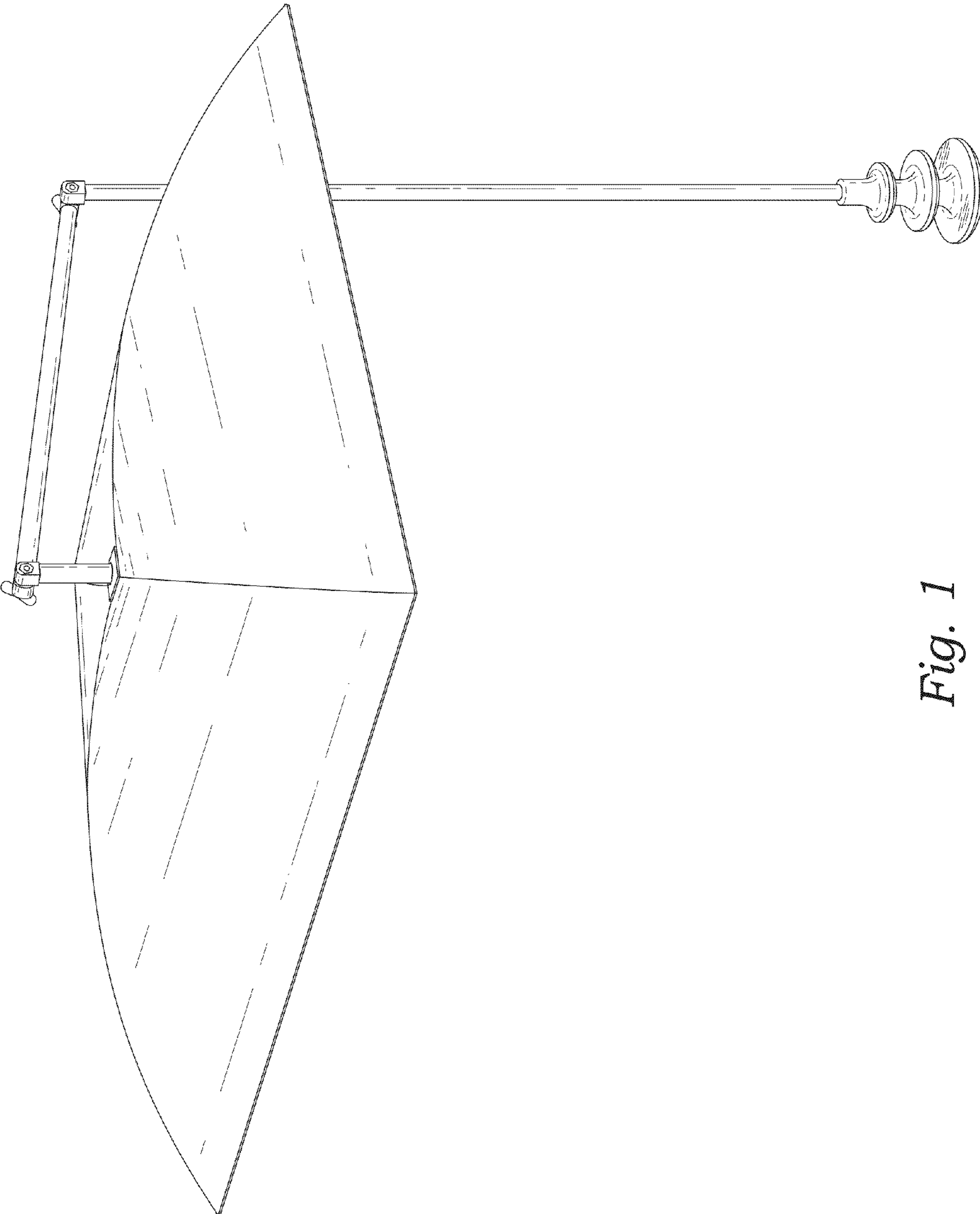


Fig. 1

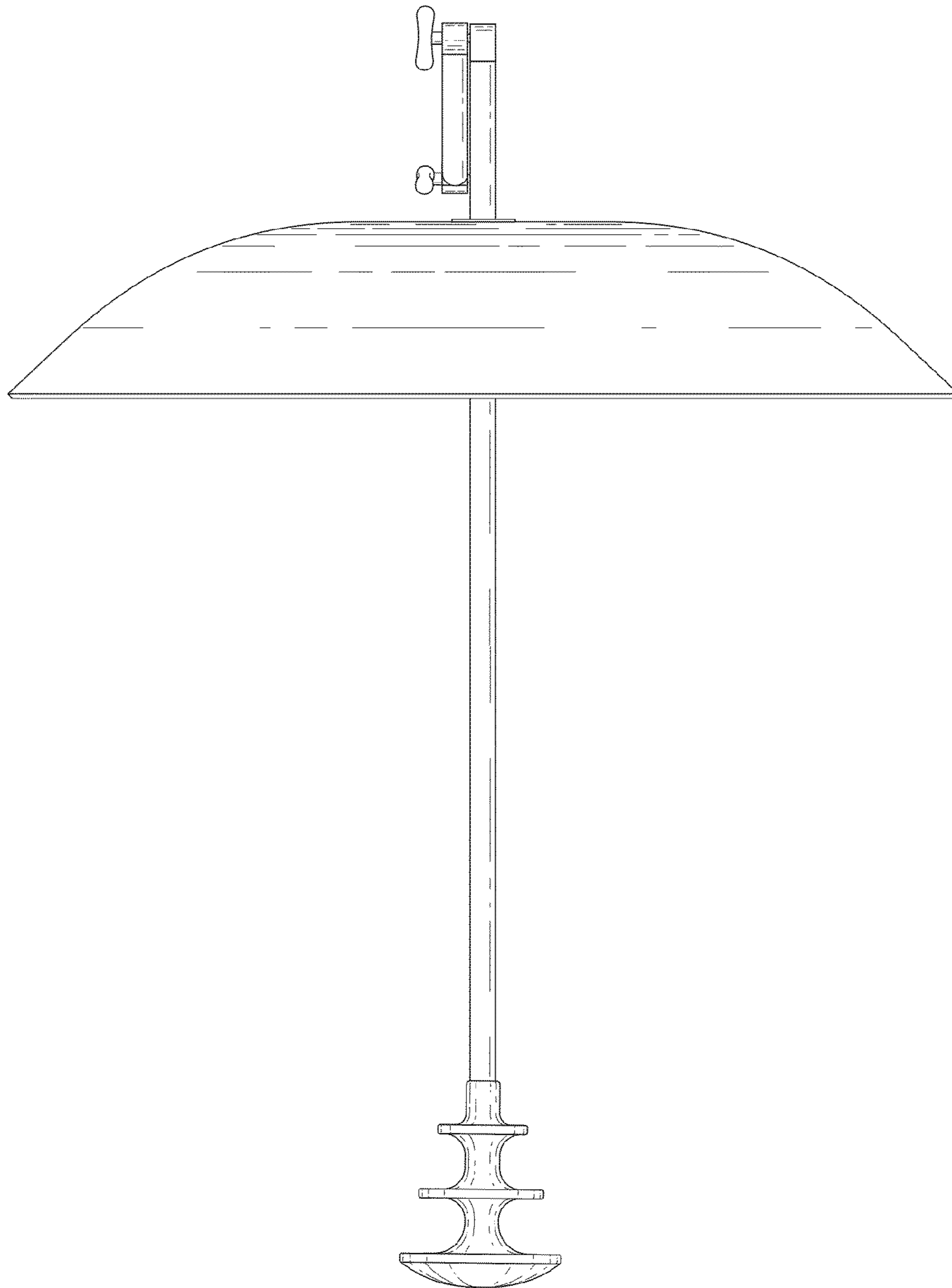


Fig. 2

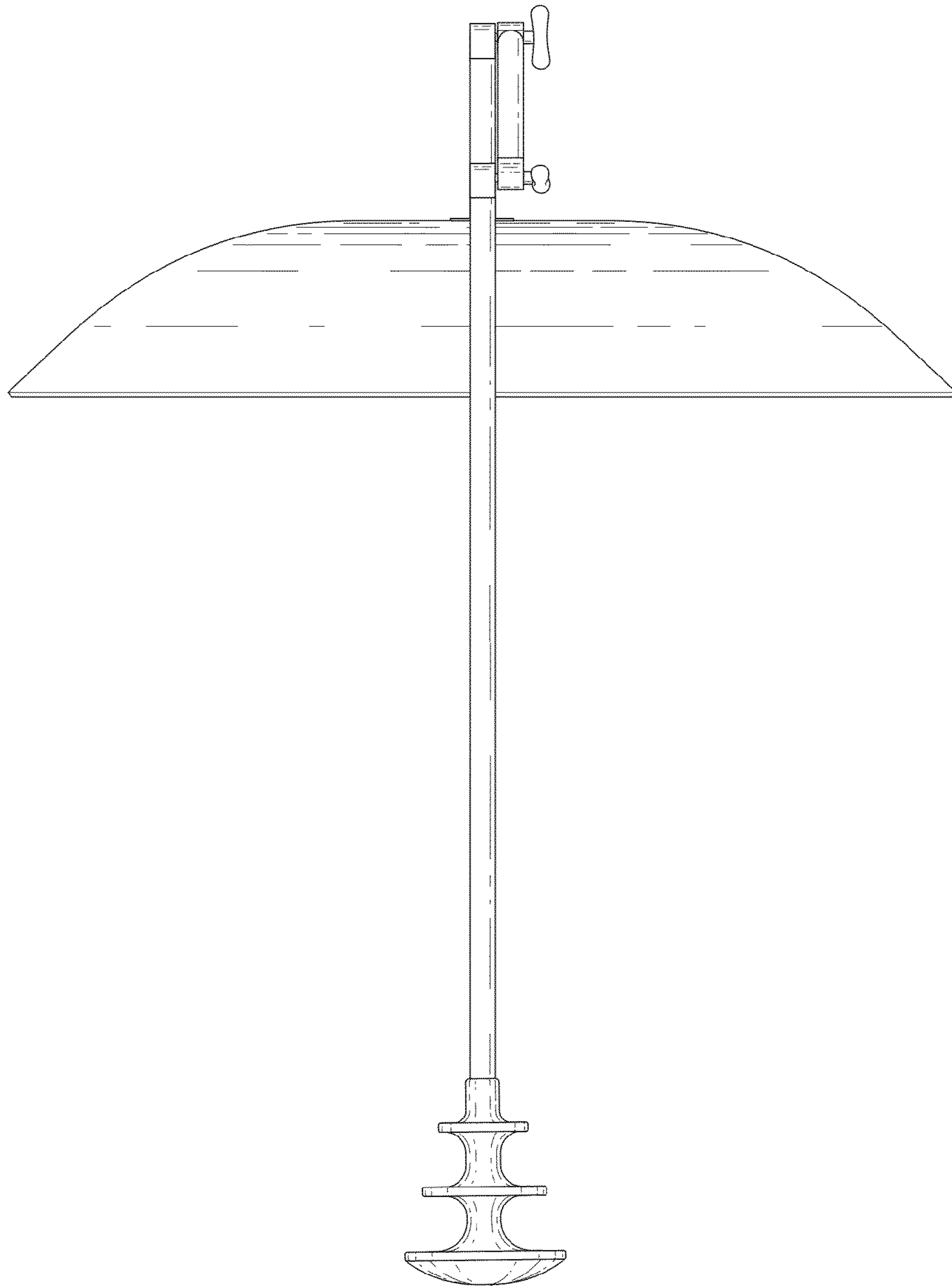


Fig. 3

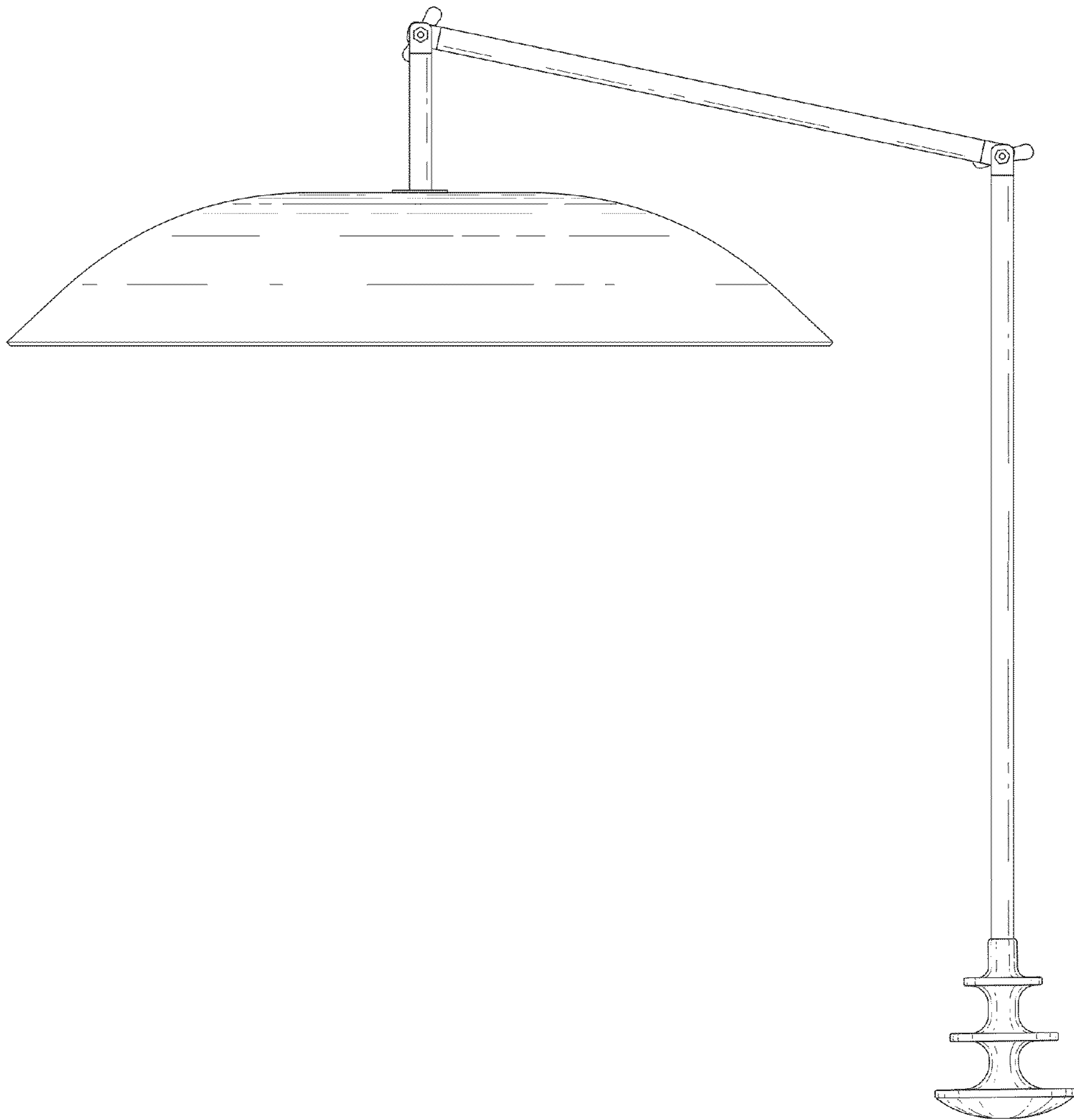


Fig. 4

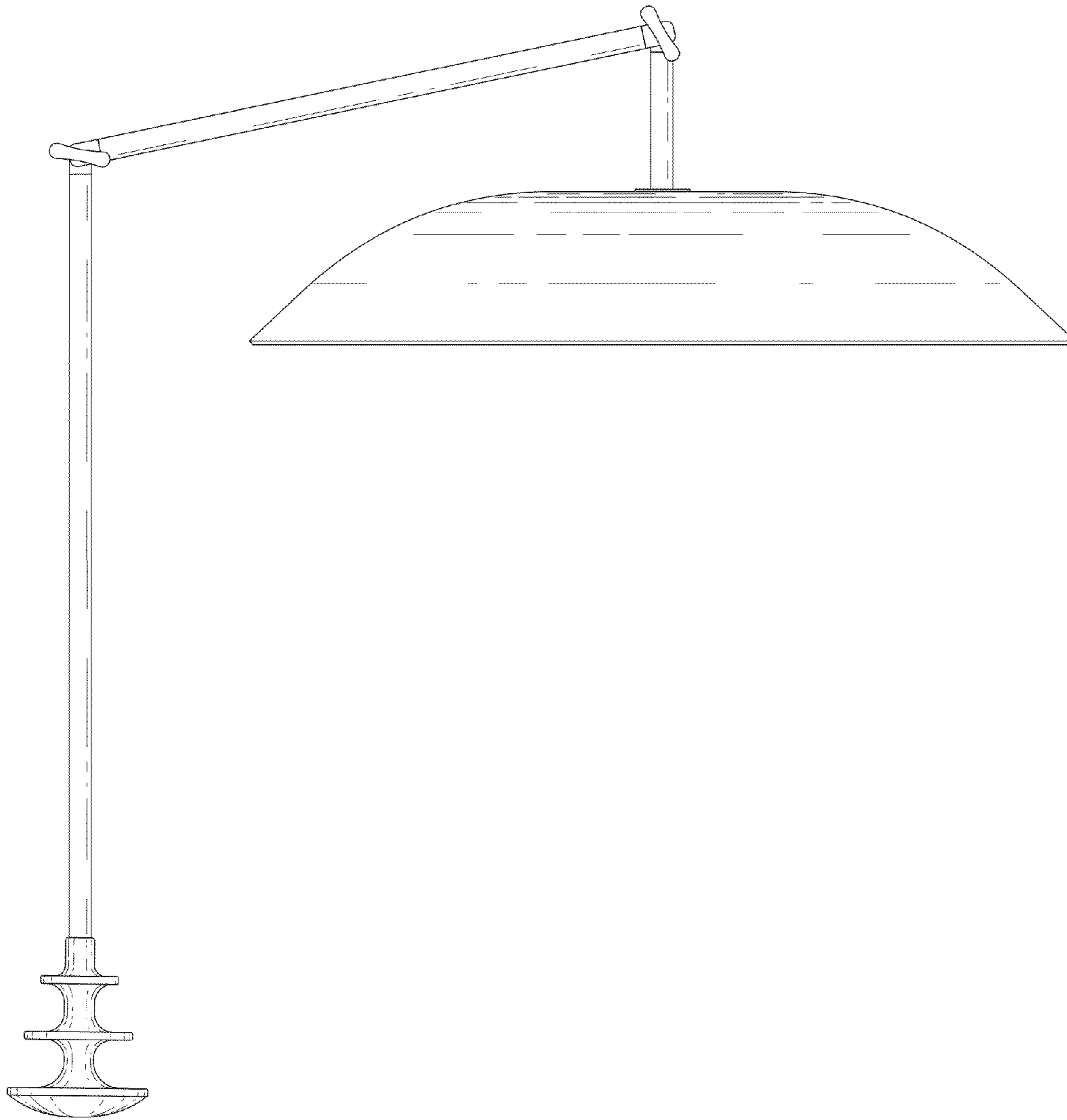


Fig. 5

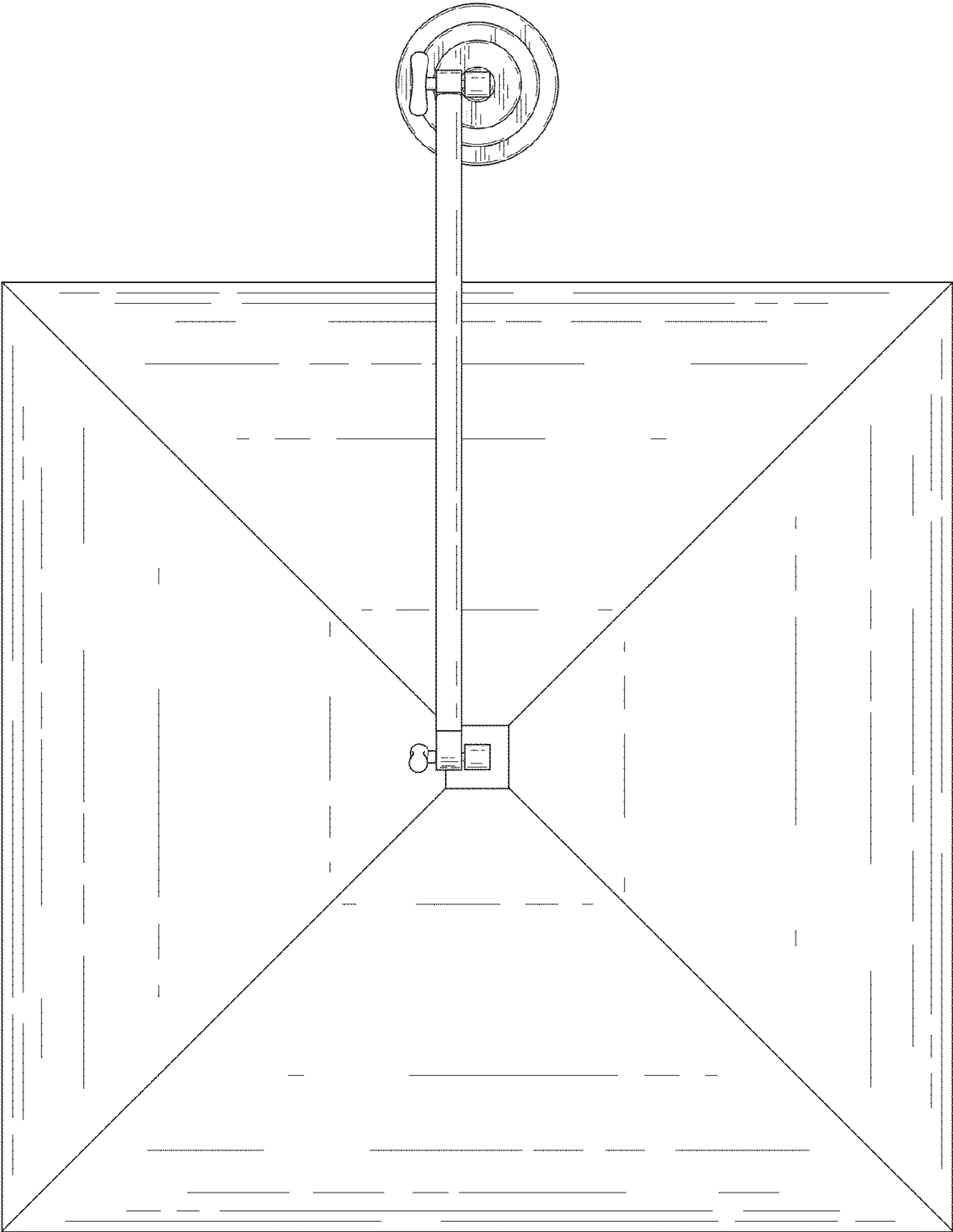


Fig. 6

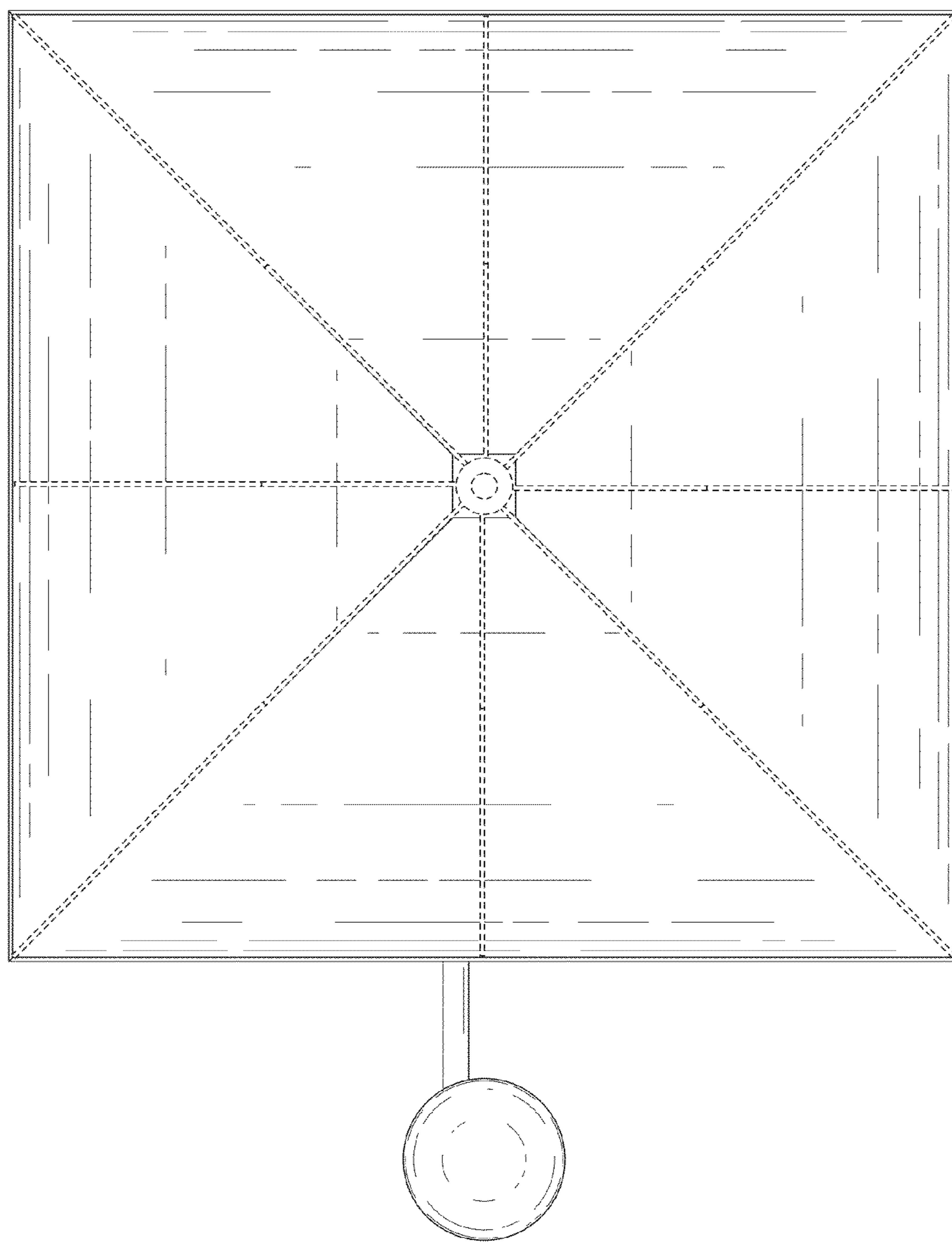


Fig. 7