



US00D759353S

(12) **United States Design Patent**
Milberg

(10) **Patent No.:** **US D759,353 S**
(45) **Date of Patent:** **** Jun. 21, 2016**

(54) **SPUNBOND POLYPROPYLENE DISPOSABLE HAT**

2,616,092 A * 11/1952 Berg 2/209.5
2,629,103 A 2/1953 Berg
2,666,925 A * 1/1954 Mayer 2/171

(71) Applicant: **Royal Paper Products, Inc.**,
Coatesville, PA (US)

(Continued)

(72) Inventor: **Adam Milberg**, West Chester, PA (US)

OTHER PUBLICATIONS

(73) Assignee: **ROYAL PAPER PRODUCTS, INC.**,
Coatesville, PA (US)

“Paper Chef Caps”—<http://www.growingcooks.com/paperchefhats.html>.

(**) Term: **14 Years**

Primary Examiner — Karen S Acker

Assistant Examiner — Wendy Arminio

(21) Appl. No.: **29/459,193**

(74) *Attorney, Agent, or Firm* — Cozen O’Connor

(22) Filed: **Jun. 27, 2013**

(51) **LOC (10) Cl.** **02-03**

(52) **U.S. Cl.**
USPC **D2/885**

(58) **Field of Classification Search**

USPC D2/865, 866, 867, 868, 869, 870, 874,
D2/875, 877, 878, 880, 881, 885, 889, 890,
D2/891, 895; 2/68, 171, 171.03, 171.04,
2/171.1, 171.6, 171.7, 172, 173, 173.5,
2/181, 183, 195.1, 195.7, 195.8, 200.1,
2/200.3, 202, 203, 205, 207, 209.11,
2/209.13; D5/1, 3, 7, 47, 58, 62
CPC A42B 1/04; A42B 1/06; A42B 1/22;
A42B 1/24; A42B 1/004; A42B 1/041;
A42B 1/045; A42B 1/048; A42B 1/066;
A42B 1/208; A42B 1/241; A42B 3/003

See application file for complete search history.

(56) **References Cited**

U.S. PATENT DOCUMENTS

251,995 A * 1/1882 Buck 2/171
324,073 A * 8/1885 Baruch et al. 2/209.13
338,033 A * 3/1886 Carskadon 2/195.7
430,003 A * 6/1890 De Lacy 2/209.5
1,247,415 A * 11/1917 Lattimore 2/195.7
1,836,141 A * 12/1931 Wagenfeld 2/209.4
D132,756 S * 6/1942 Lacomme D2/881

(57) **CLAIM**

The ornamental design for a spunbond polypropylene disposable hat, as shown and described.

DESCRIPTION

FIG. 1 is a side perspective view of the spunbond polypropylene disposable hat embodying the design of the present invention;

FIG. 2 is a top down view of the design of FIG. 1 disassembled, unfolded and laid flat;

FIG. 3 is a rear view of the design of FIG. 1 showing the two parts of the spunbond polypropylene disposable hat partially assembled.

FIG. 4 is a front view of the design of FIG. 1;

FIG. 5 is a rear view thereof;

FIG. 6 is a left side view thereof;

FIG. 7 is a right side view thereof;

FIG. 8 is a top down view thereof;

FIG. 9 is a bottom plan view thereof;

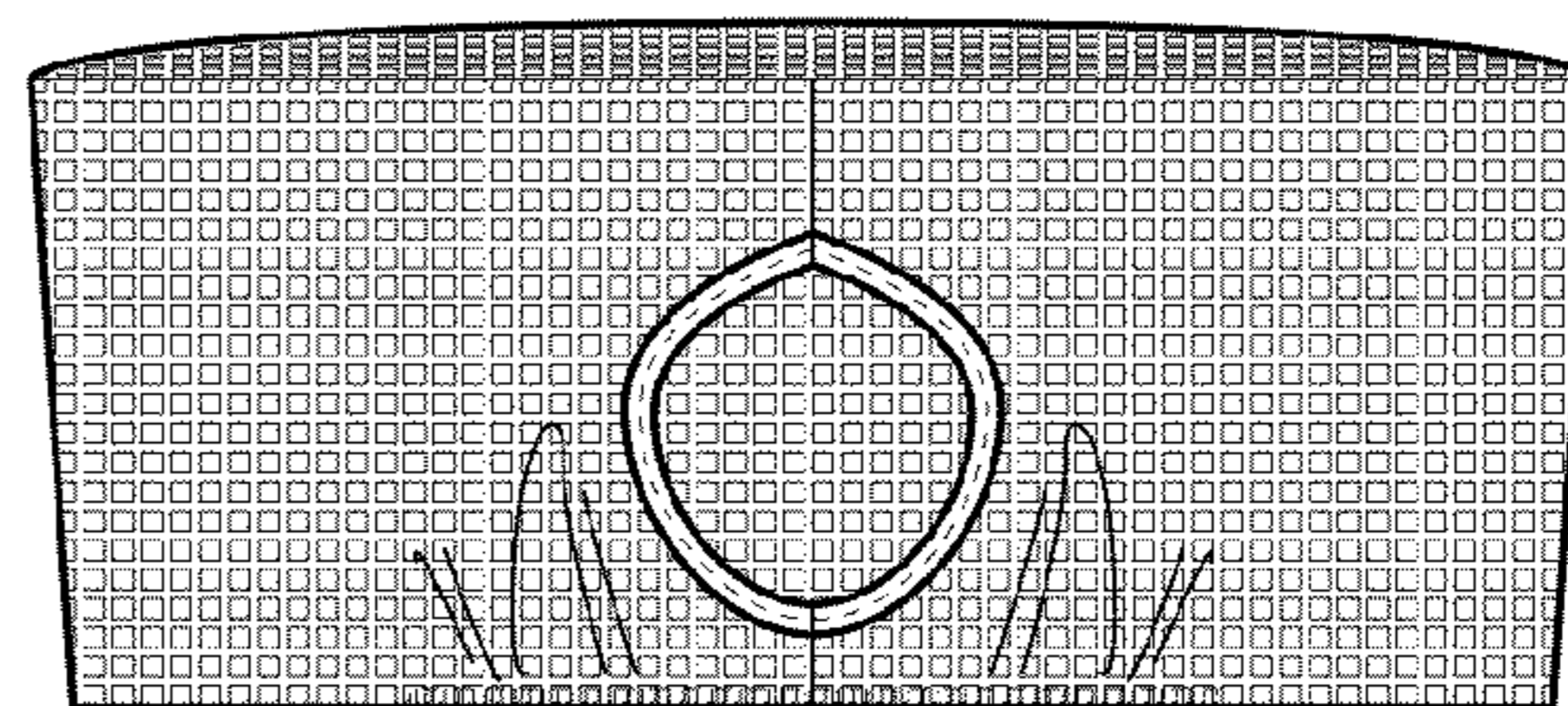
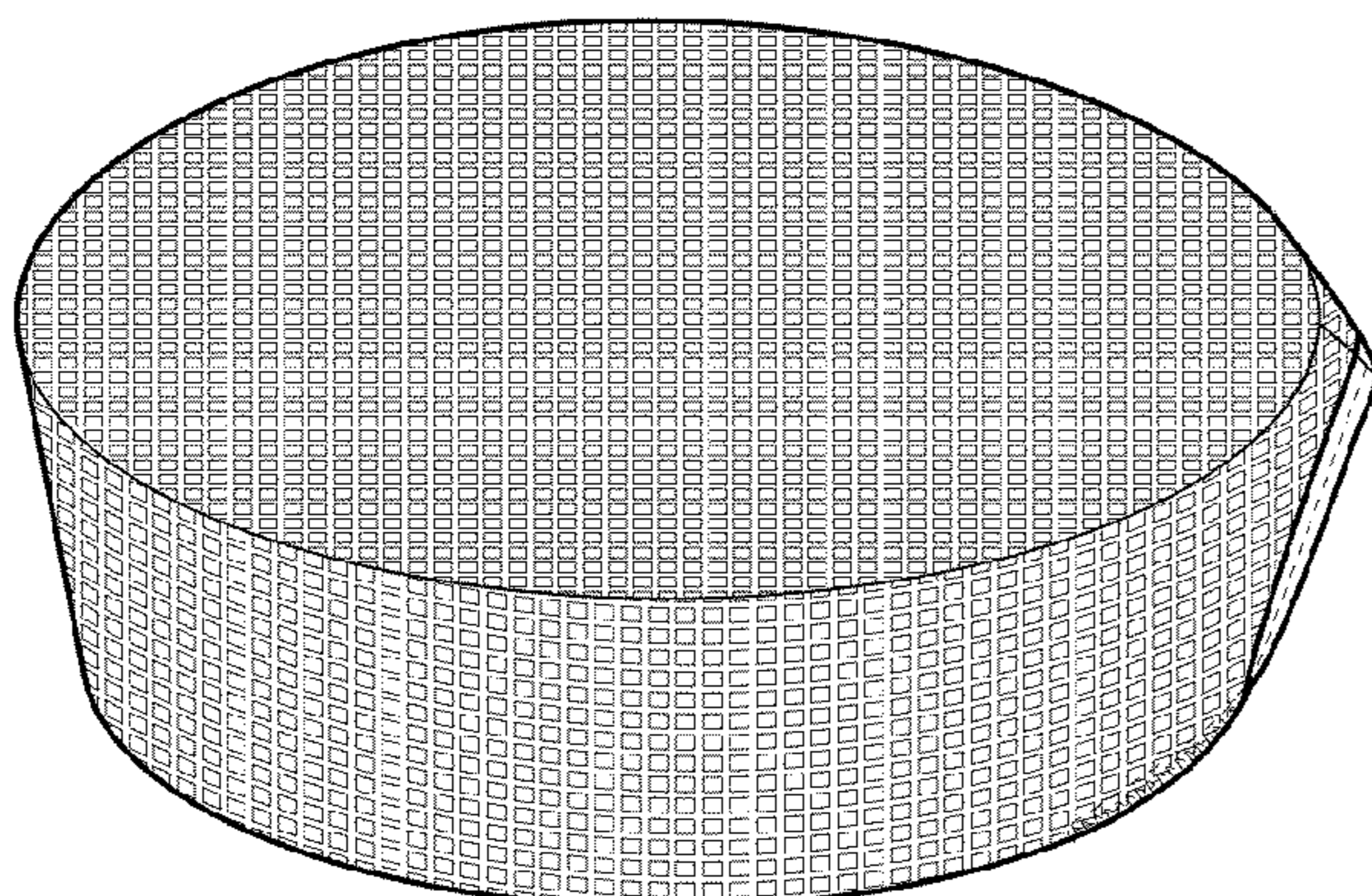
FIG. 10 is a cross-sectional view taken along line 10-10 of FIG. 8; and,

FIG. 11 is an enlarged detail view of area 11 circumscribed within FIG. 10, showing the stitching thereof.

The dot-dash-dot broken lines circumscribing the areas of the details in FIGS. 10 and 11 form no part of the claimed design.

The dash-dash broken lines depict stitching elements.

1 Claim, 5 Drawing Sheets



(56)

References Cited

U.S. PATENT DOCUMENTS

2,742,646 A * 4/1956 Berg 2/195.4
3,082,430 A * 3/1963 Wagenfeld
3,273,862 A * 9/1966 Miller 256/73
3,390,405 A * 7/1968 Gruber 2/195.7
D290,061 S * 6/1987 Fyvolent D2/883
D357,344 S * 4/1995 Norton D2/869
D390,689 S 2/1998 Ochiai

D435,957 S * 1/2001 Kenefake D2/869
D462,180 S * 9/2002 Kao et al. D5/58
D501,291 S * 2/2005 Hall D2/885
D564,183 S * 3/2008 Roach et al. D2/865
8,141,395 B2 * 3/2012 Dillavou 66/171
D659,351 S * 5/2012 Benkendorfer D2/865
D670,068 S * 11/2012 Bomze D2/889
8,613,114 B1 * 12/2013 Olivares Velasco 2/411
D697,288 S * 1/2014 Pearson D2/882

* cited by examiner

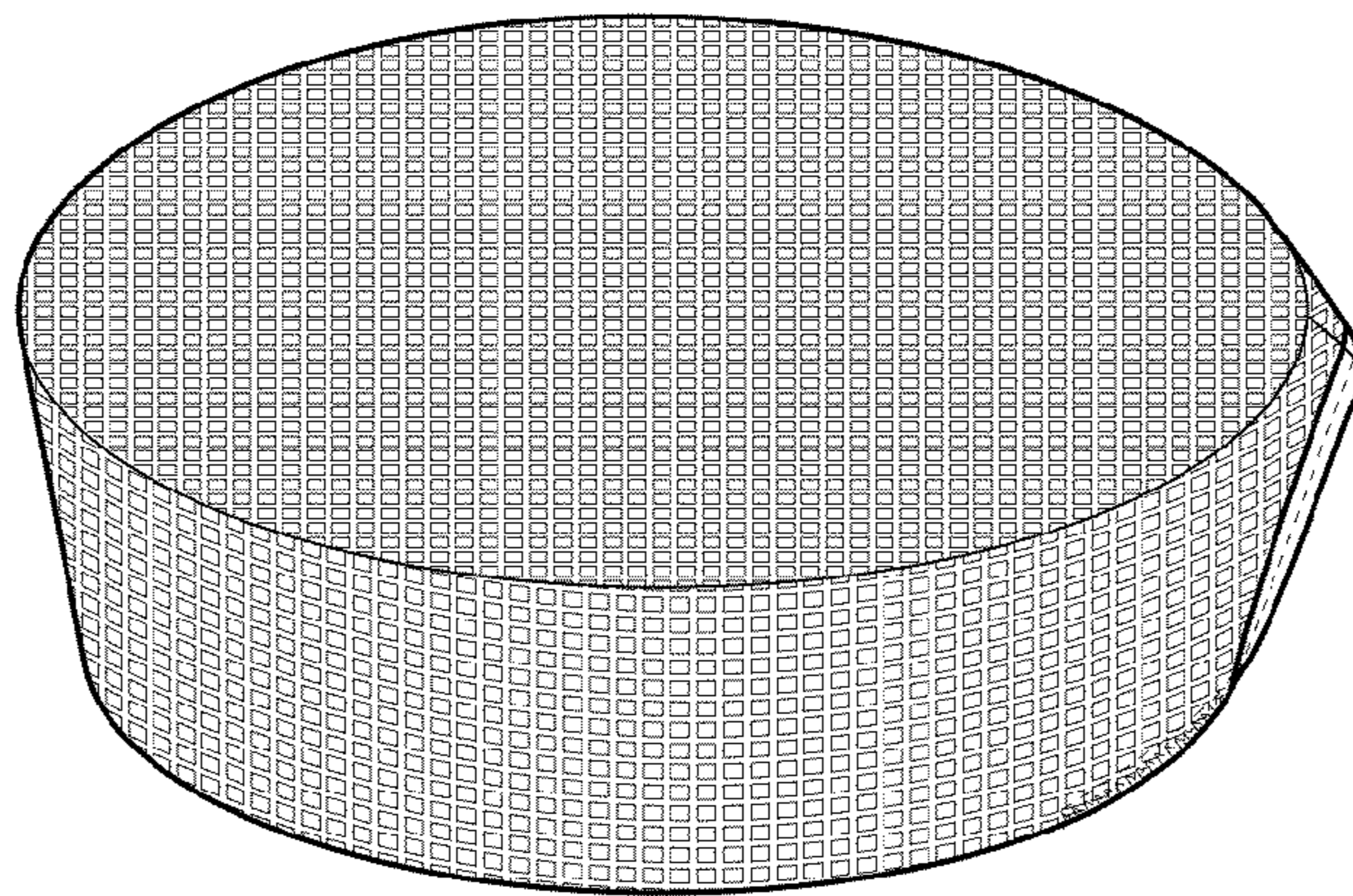


FIG. 1

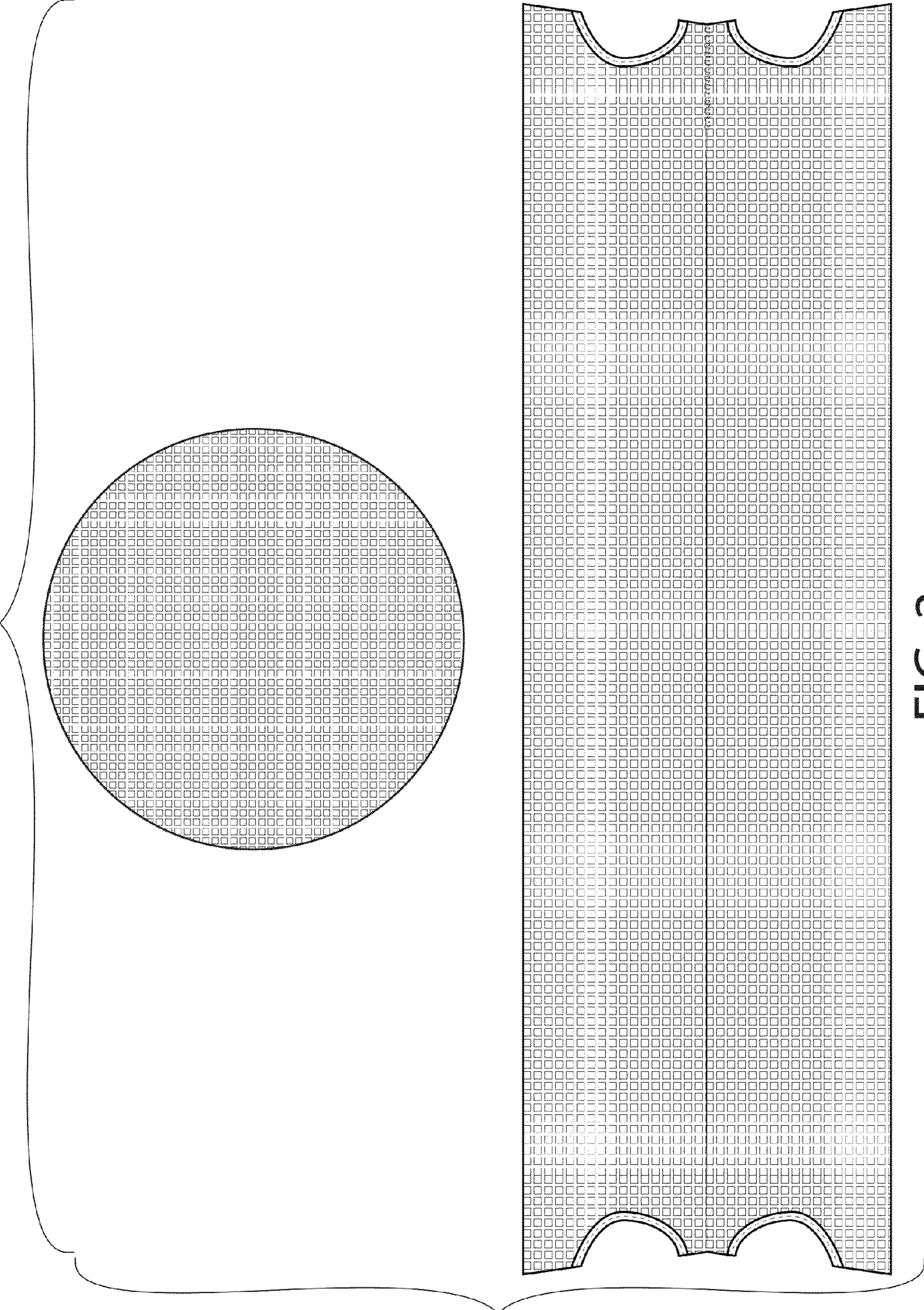


FIG. 2

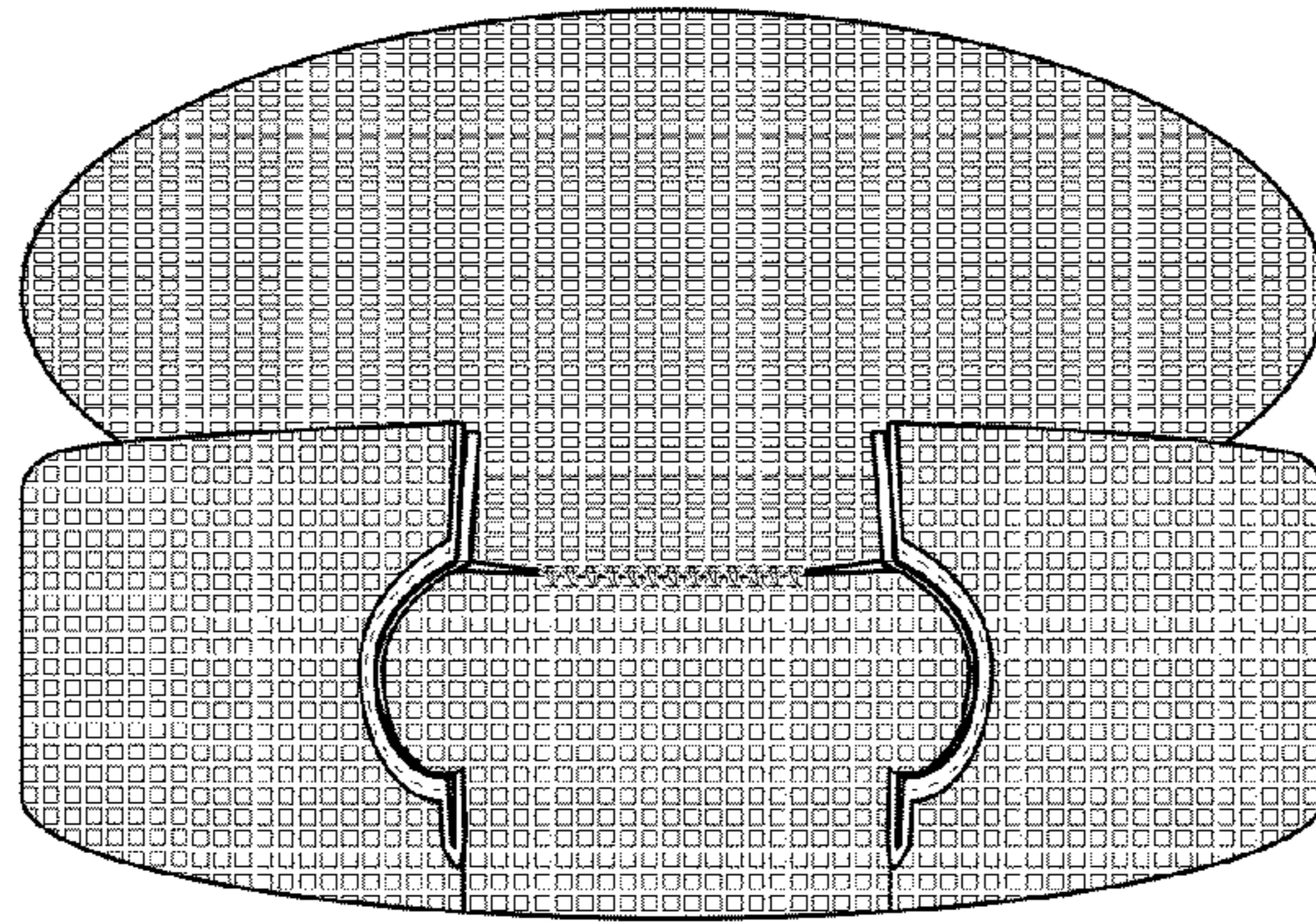


FIG. 3

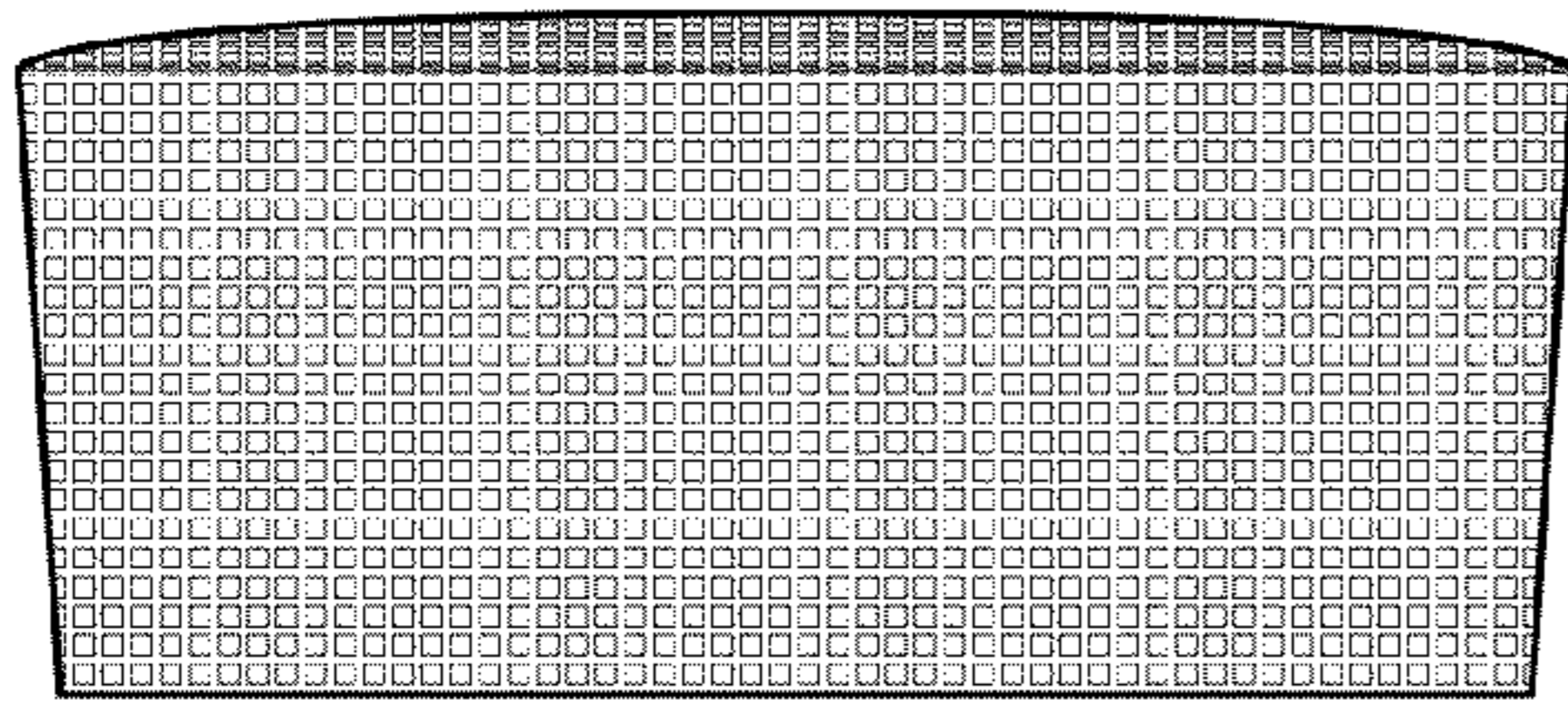


FIG. 4

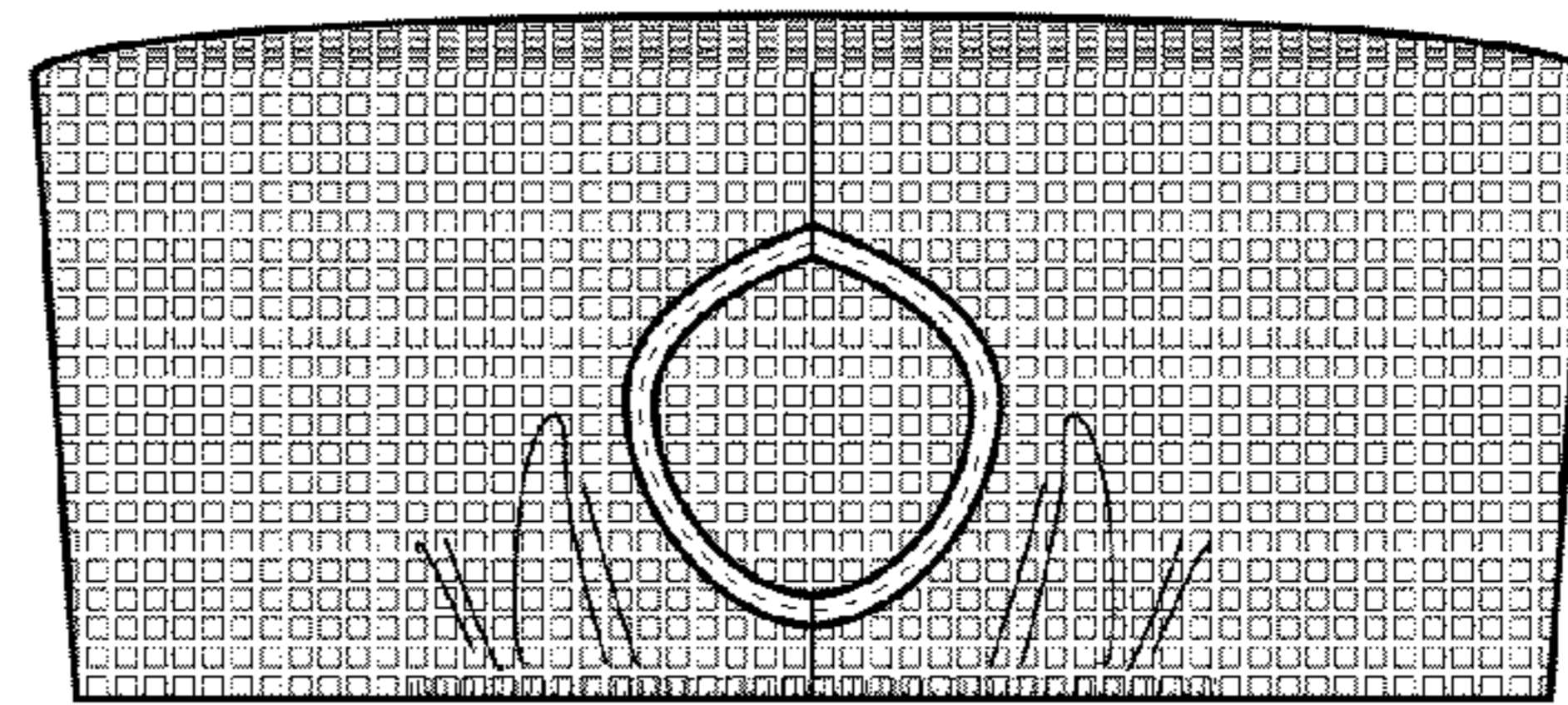


FIG. 5

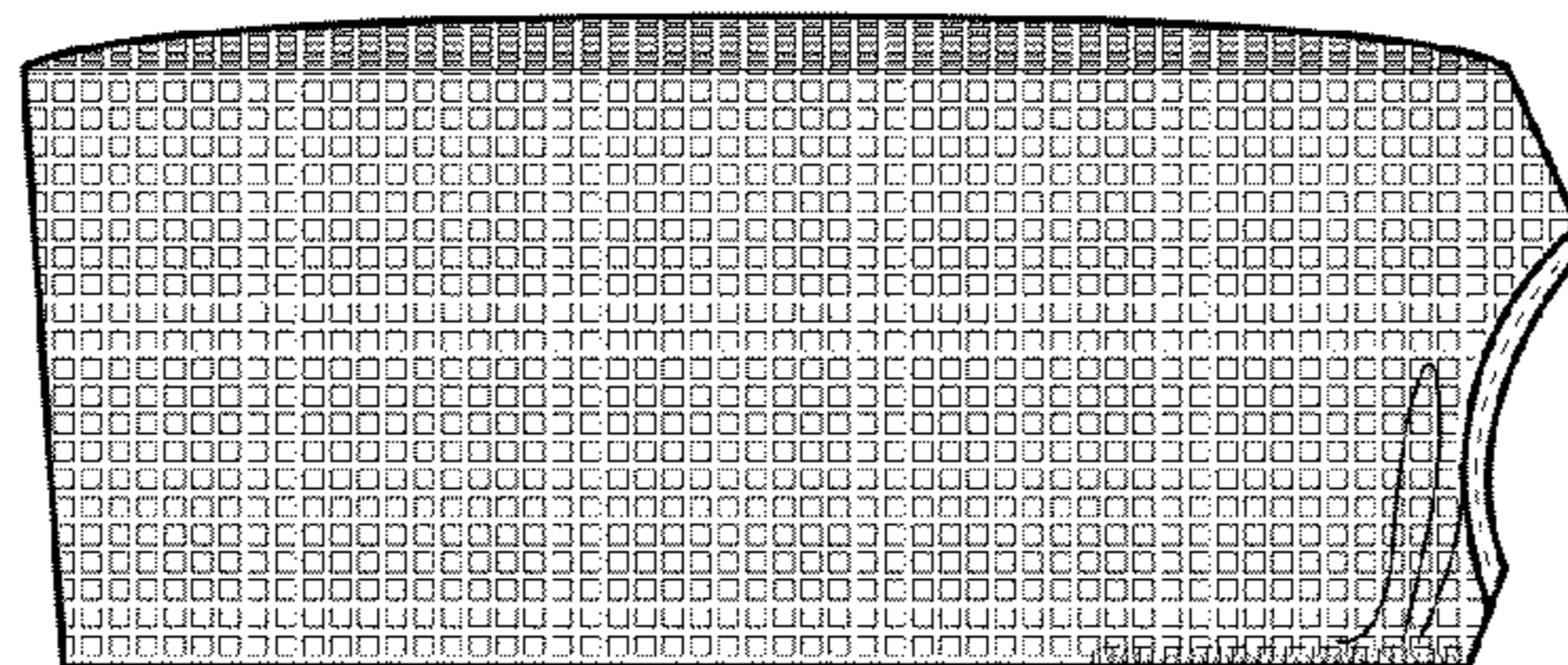


FIG. 6

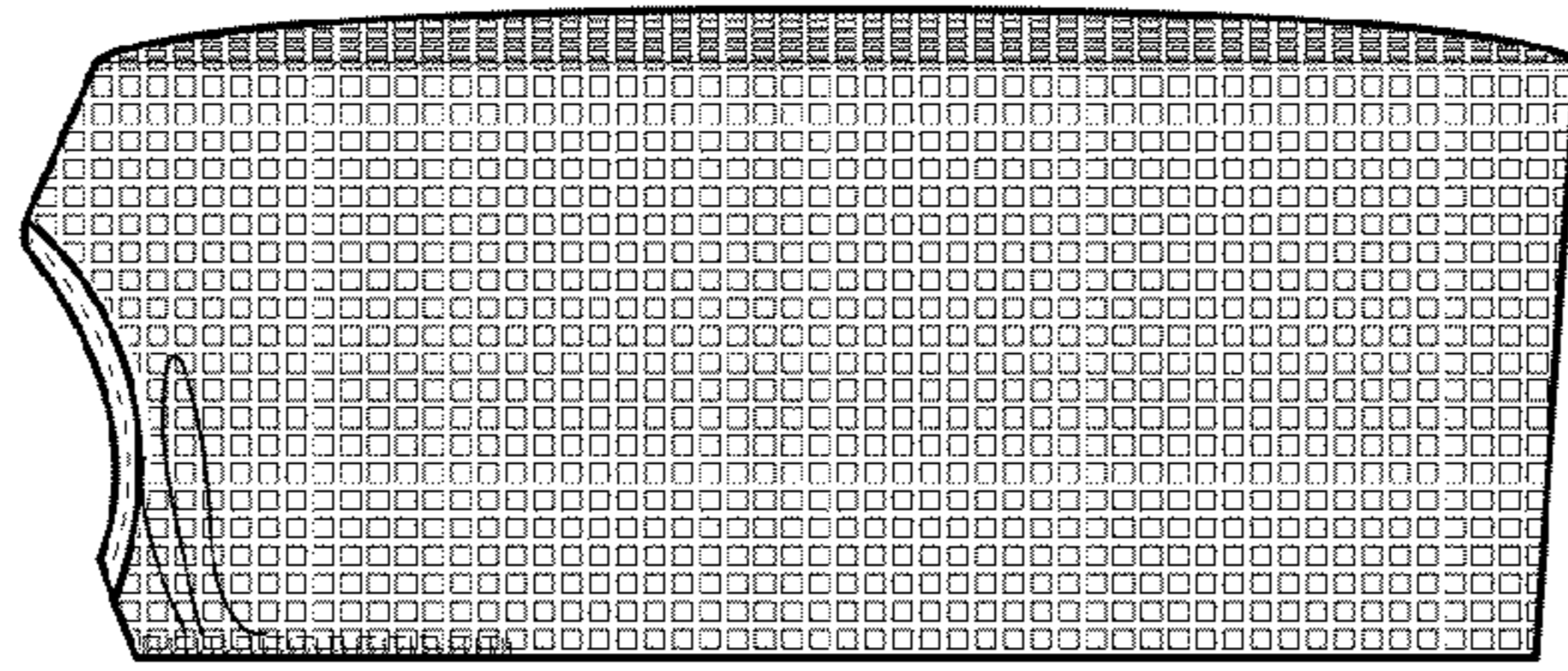


FIG. 7

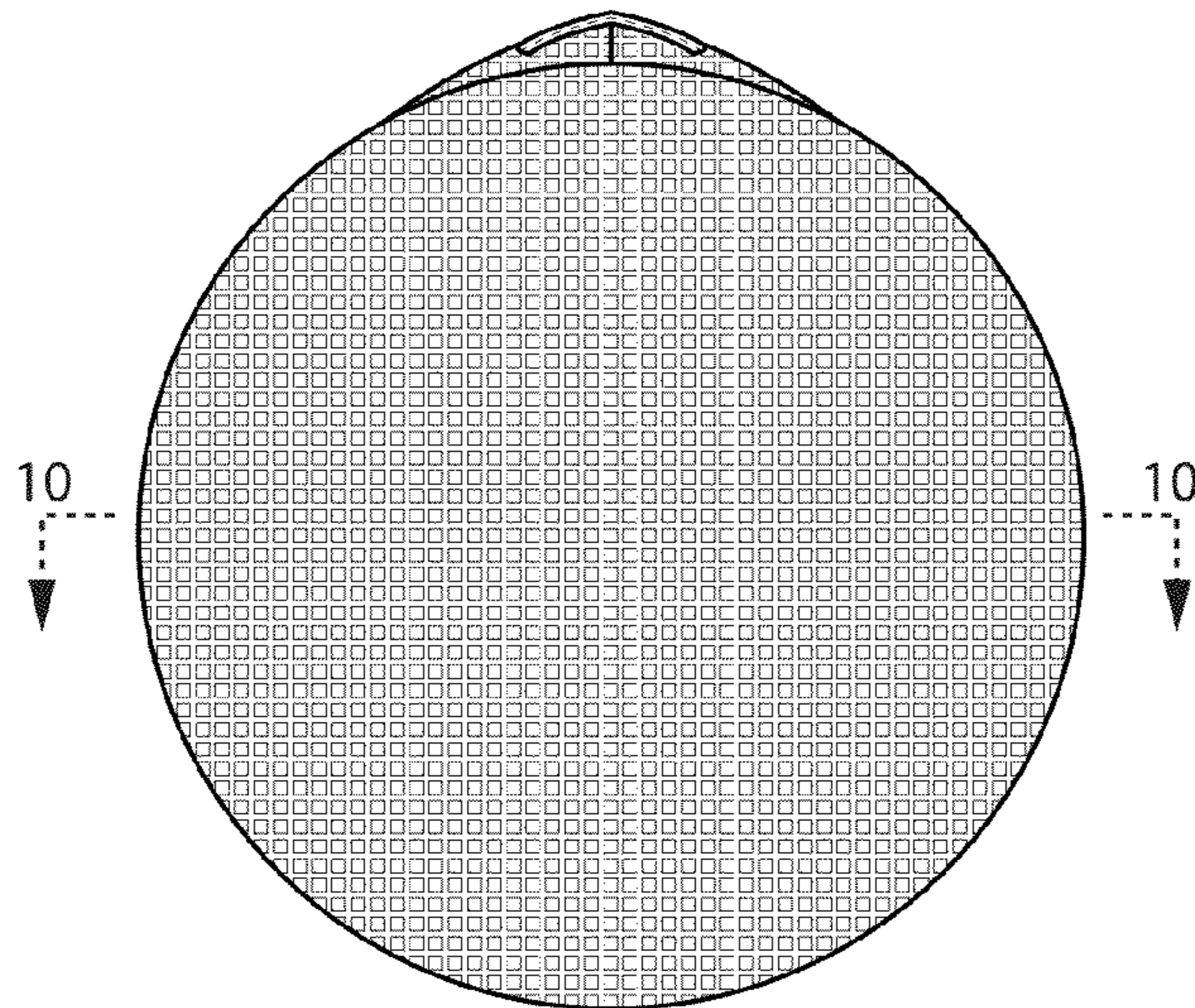


FIG. 8

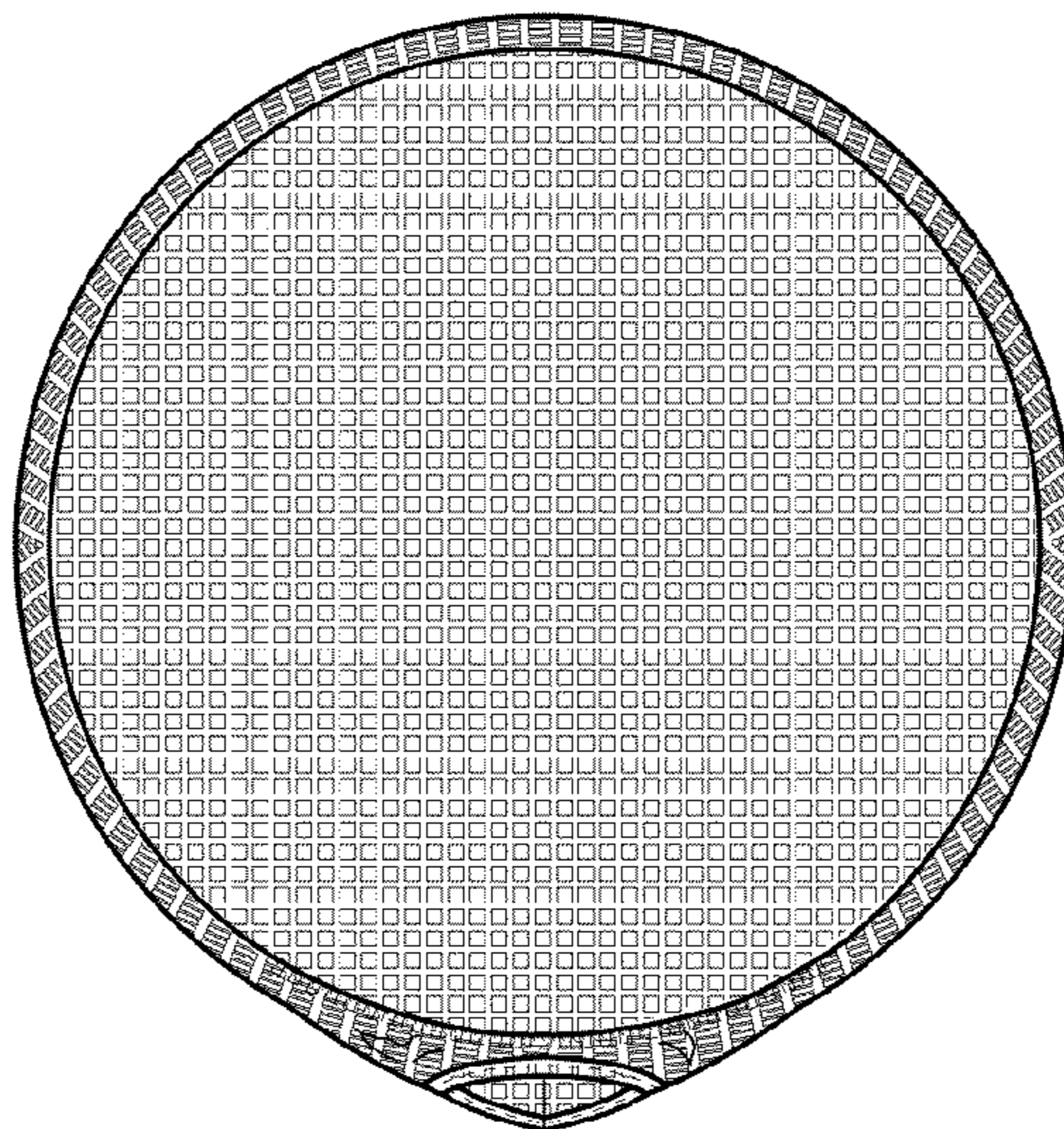


FIG. 9

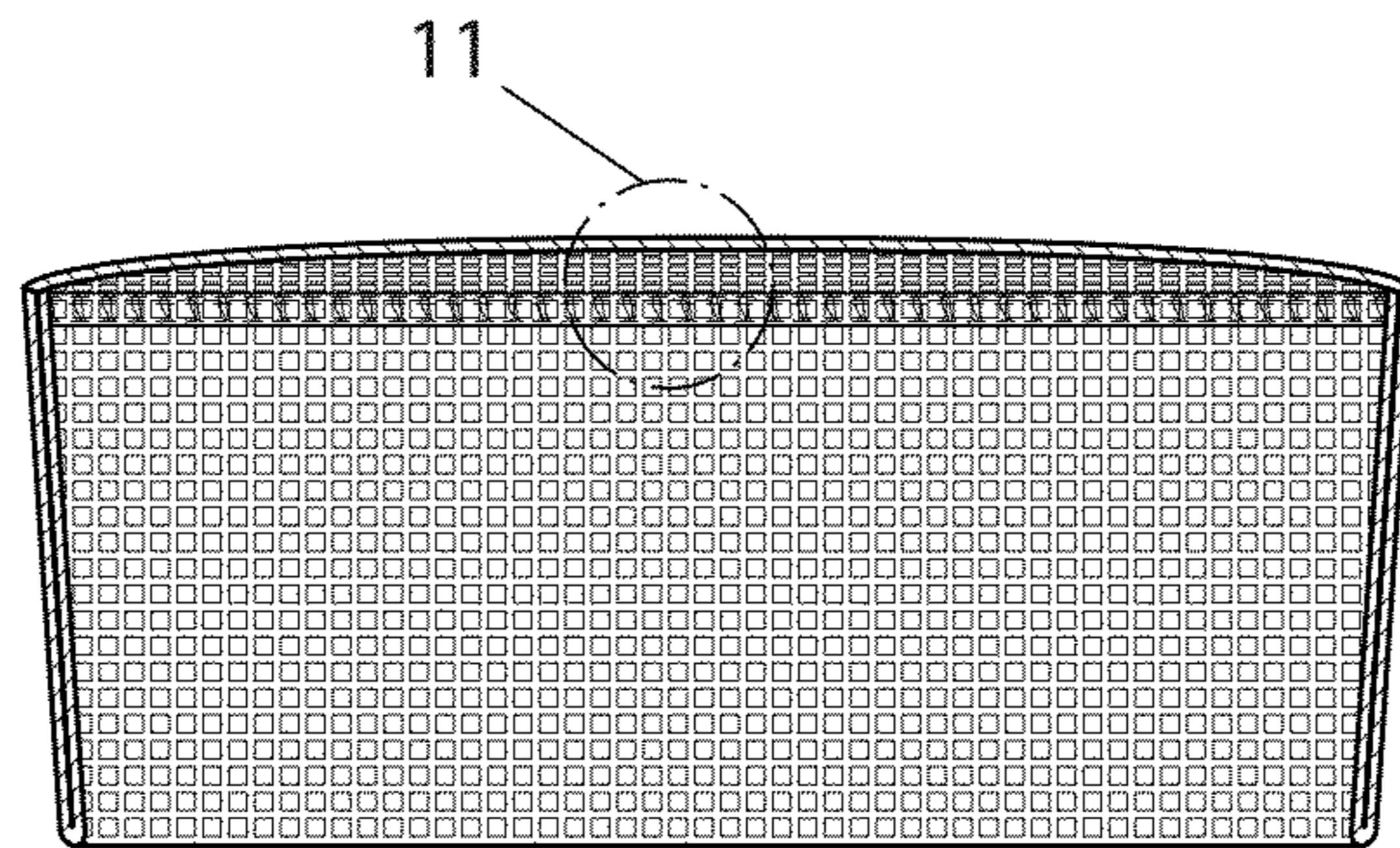


FIG. 10

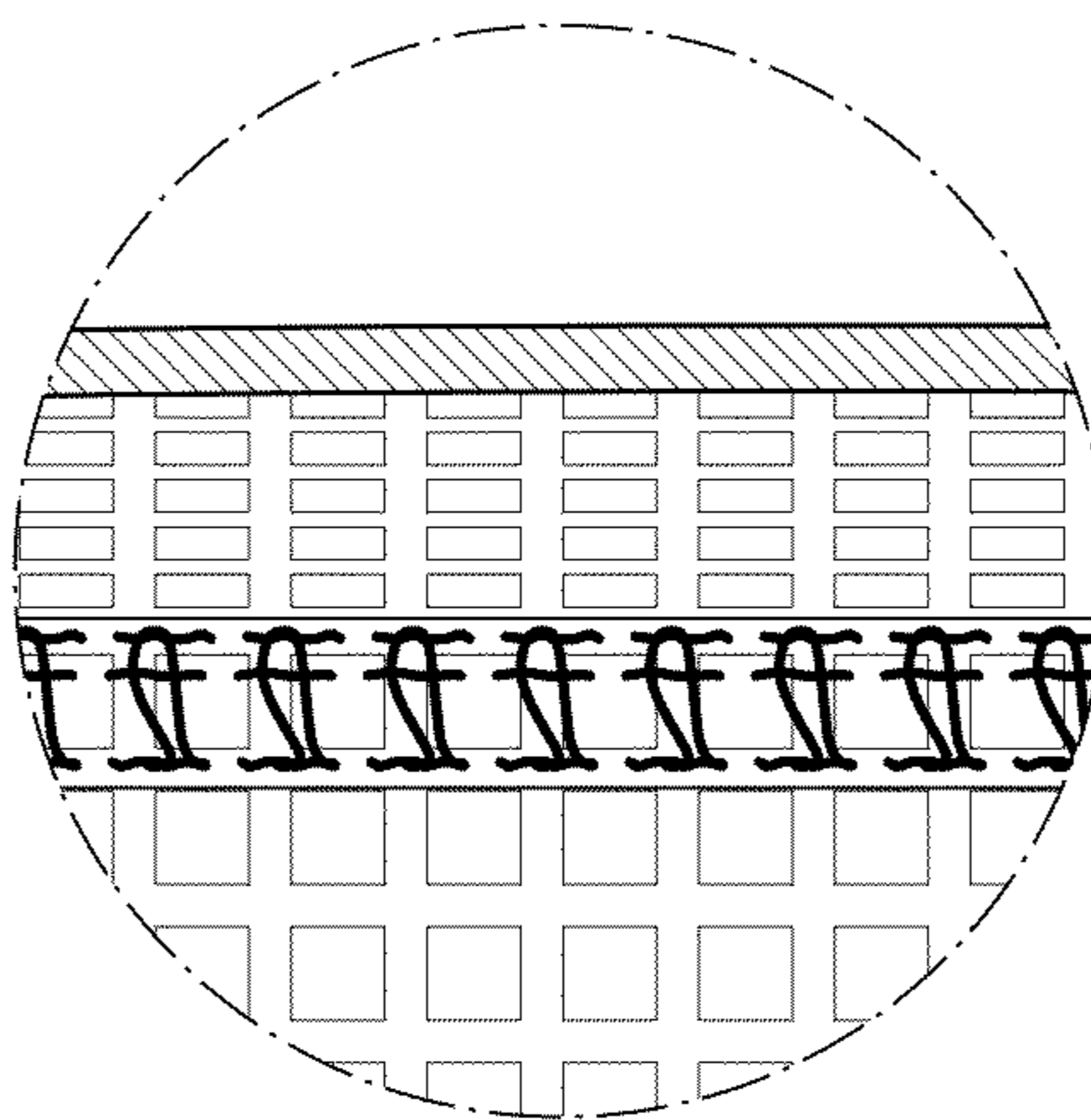


FIG. 11